



US00D748942S

(12) **United States Design Patent**
Boroski et al.

(10) **Patent No.:** **US D748,942 S**
(45) **Date of Patent:** **** Feb. 9, 2016**

(54) **LID**

(71) Applicants: **Dwayne Boroski**, Lake in the Hills, IL (US); **Marvin Lane**, Wheeling, IL (US)

(72) Inventors: **Dwayne Boroski**, Lake in the Hills, IL (US); **Marvin Lane**, Wheeling, IL (US)

(73) Assignee: **Thermos L.L.C.**, Schaumburg, IL (US)

(**) Term: **14 Years**

(21) Appl. No.: **29/523,336**

(22) Filed: **Apr. 8, 2015**

(51) **LOC (10) Cl.** **07-02**

(52) **U.S. Cl.**
USPC **D7/391**; D7/376; D7/378; D7/412;
D7/413

(58) **Field of Classification Search**
USPC D7/372, 376–386, 392.1, 412–413,
D7/510–511, 602, 605, 629, 665–666, 669,
D7/679, 693–694; D9/449
CPC A21C 1/02; A21C 1/04; A23N 1/00;
A23N 1/02; A47J 43/04; A47J 43/25; A47J
43/27; A47J 43/042; A47J 43/044; A47J
43/046; A47J 43/075; A47J 43/0722; A47J
43/0727; B01F 3/00; B01F 3/0807; B01F
3/0853; B01F 13/0059; B01F 13/0064;
B02C 1/08; B02C 2/04; B02C 4/42; B02C
4/142; B02C 4/143; B02C 4/423; B02C
13/1835; B02C 5/10; B02C 5/12; B02C 5/14;
B02C 5/16; B65D 47/0861

See application file for complete search history.

(56) **References Cited**

U.S. PATENT DOCUMENTS

D451,023	S	*	11/2001	Kitamura	D9/449
6,484,895	B2	*	11/2002	Montgomery	B65D 47/0861 215/237
D529,339	S	*	10/2006	Carreno	D7/511
D661,945	S	*	6/2012	Eyal	D7/392.1
D675,865	S	*	2/2013	Wahl	D7/392.1
D686,872	S	*	7/2013	Lane	D7/392.1
D690,557	S	*	10/2013	Carreno	D7/510
D693,630	S	*	11/2013	Hurley	D7/392.1
D695,069	S	*	12/2013	Lane	D7/510
D718,626	S	*	12/2014	Lane	D9/449
D725,966	S	*	4/2015	Boroski	D7/511
D729,585	S	*	5/2015	Boroski	D7/511
D739,183	S	*	9/2015	Lane	D7/605

* cited by examiner

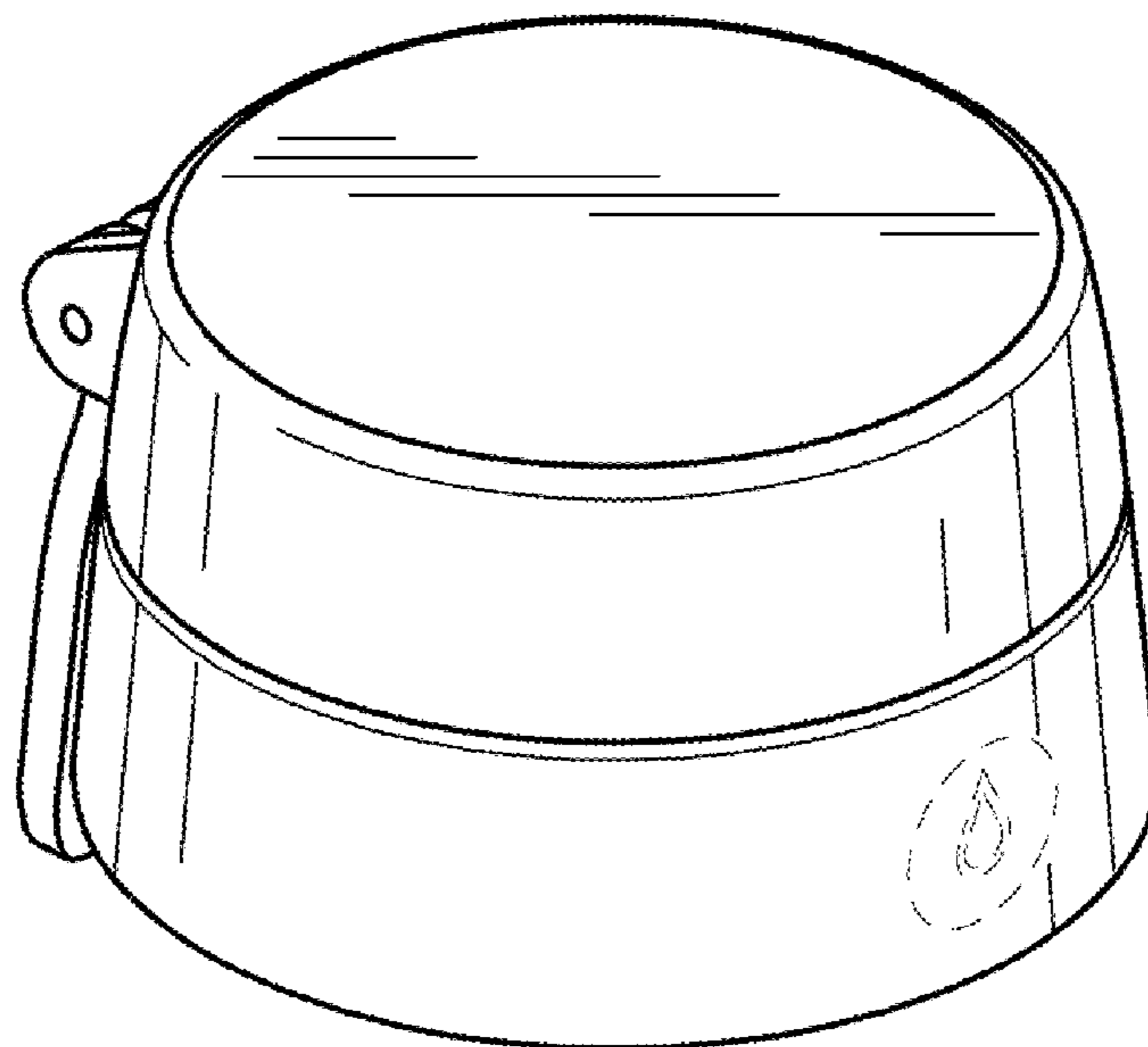
Primary Examiner — Ricky Pham
(74) *Attorney, Agent, or Firm* — Polsinelli PC

(57) **CLAIM**
The ornamental design for a lid, as shown and described.

DESCRIPTION

FIG. 1 is a perspective view of the lid;
FIG. 2 is a front view of the lid;
FIG. 3 is a rear view of the lid;
FIG. 4 is a right side view of the lid;
FIG. 5 is a left side view of the lid;
FIG. 6 is a top view of the lid; and,
FIG. 7 is a bottom view of the lid.
The broken lines showing in the figures are included for the purpose of illustrating portions of the lid that form no part of the claimed design.

1 Claim, 2 Drawing Sheets



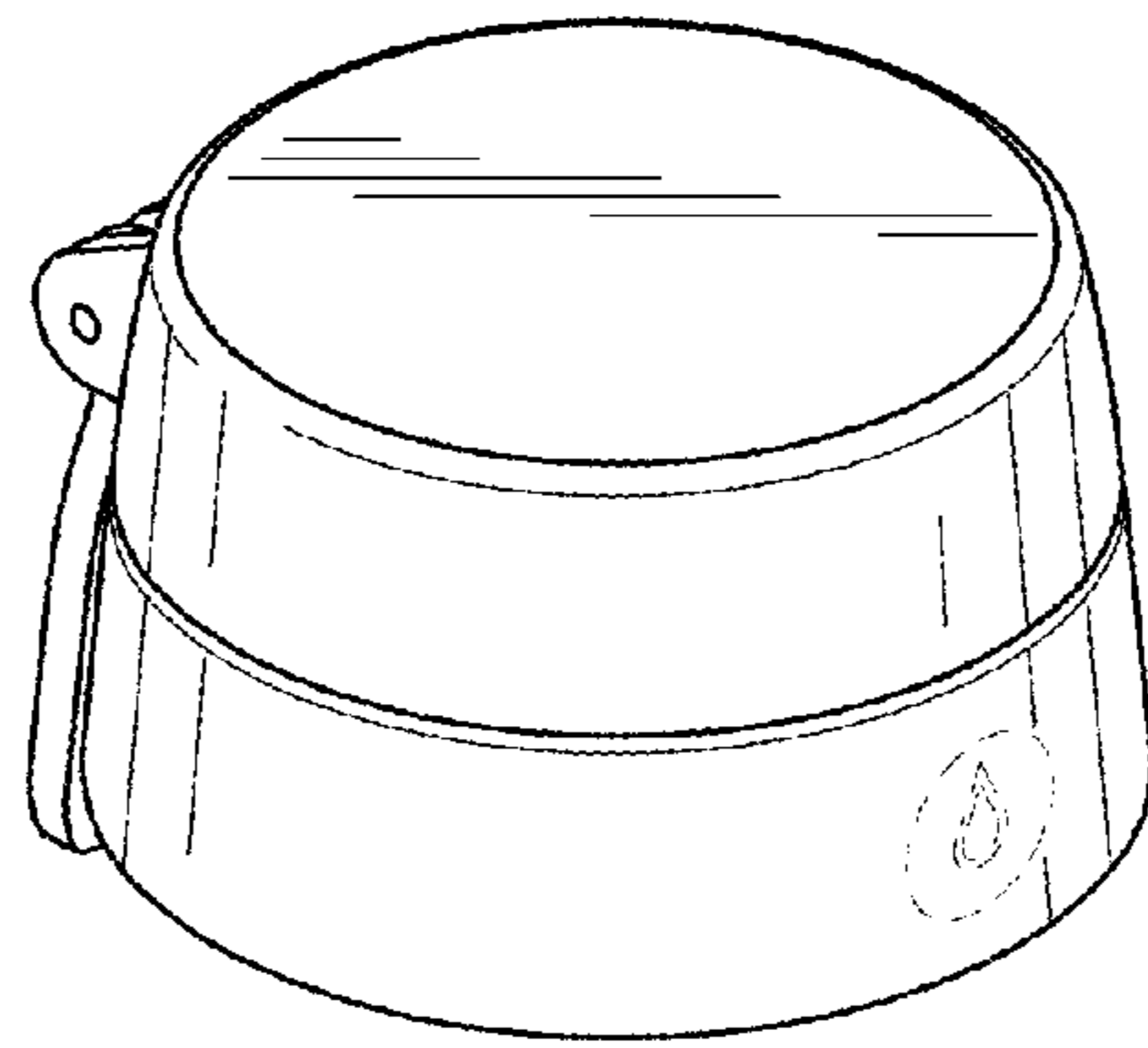


FIG. 1

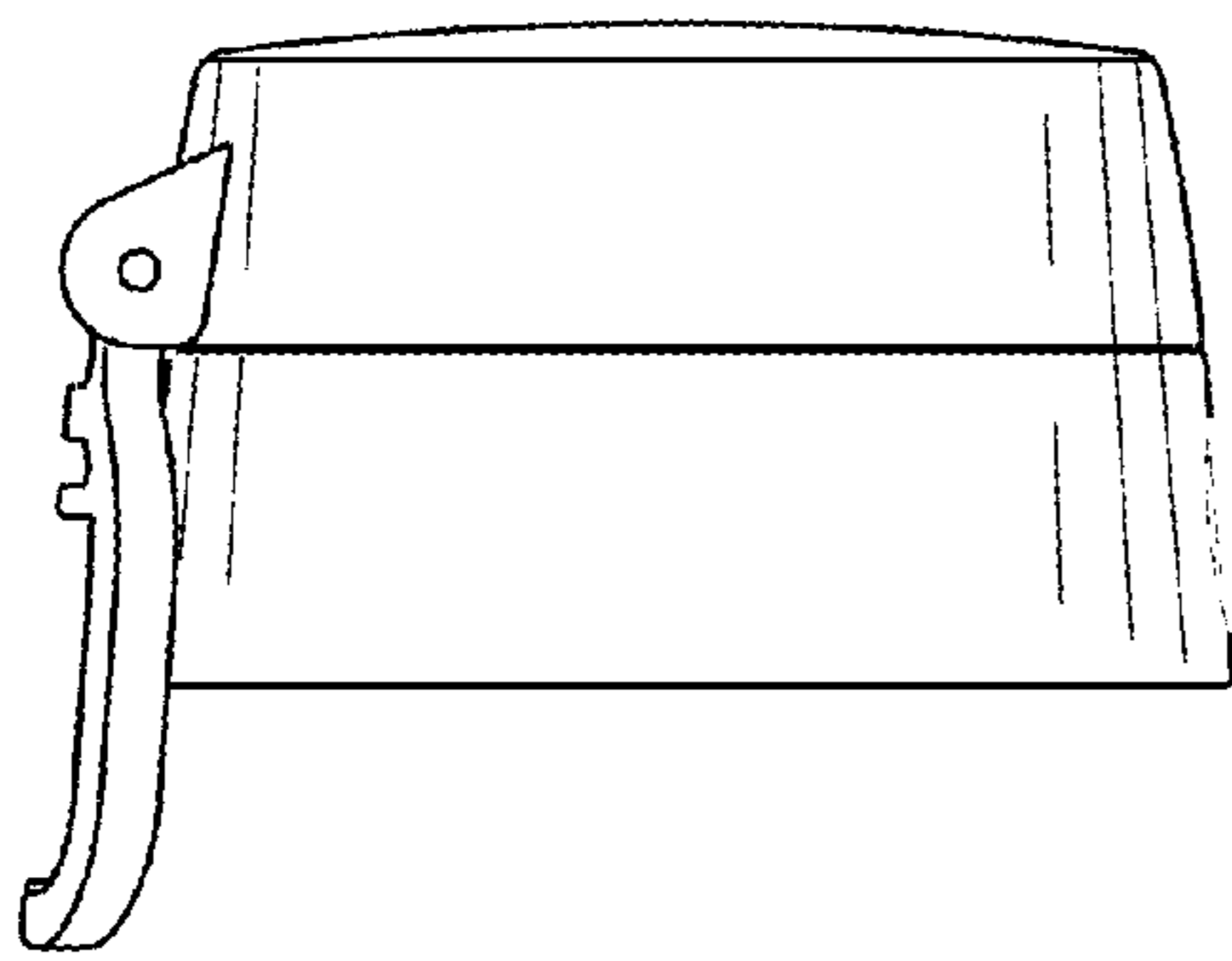


FIG. 2

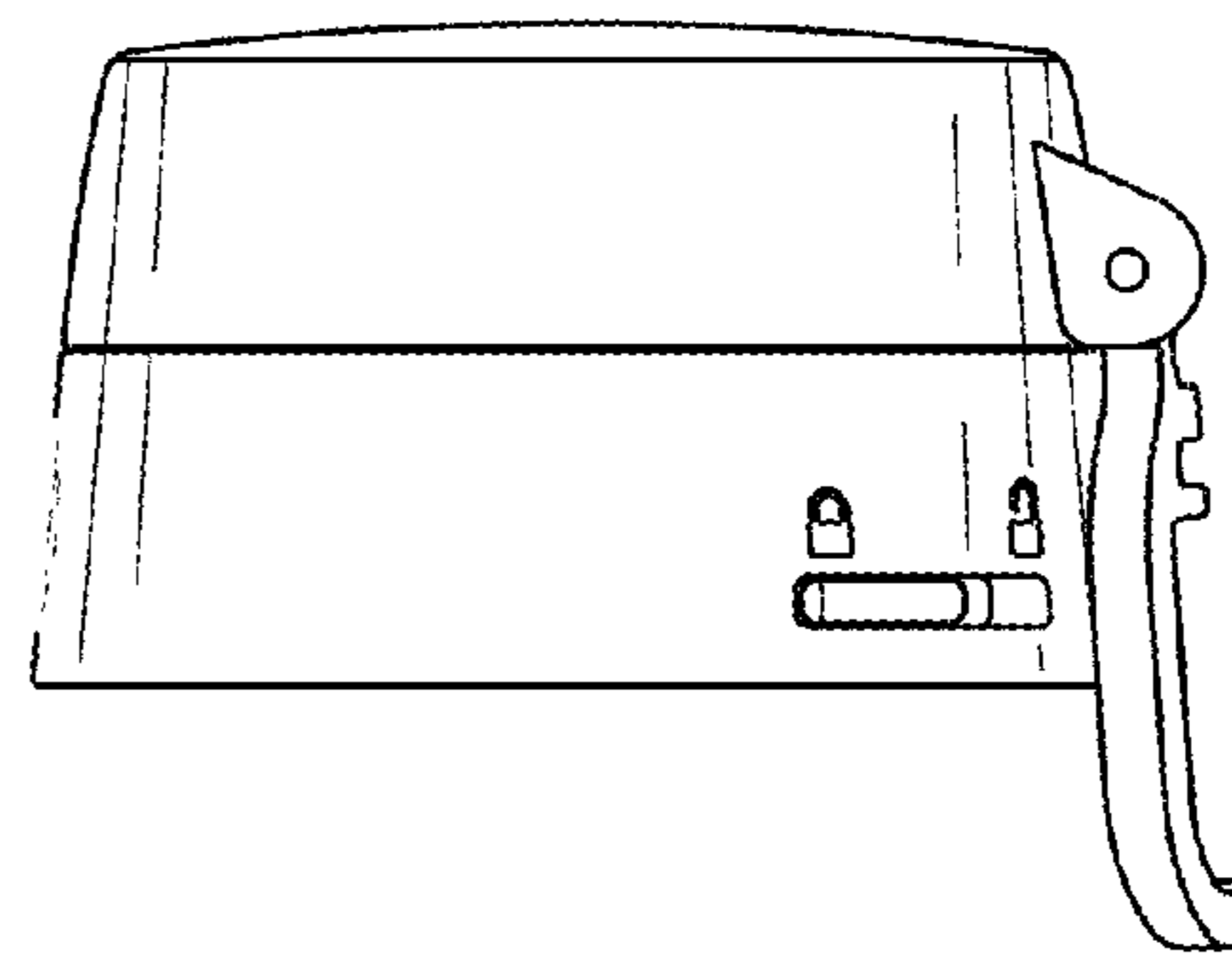


FIG. 3

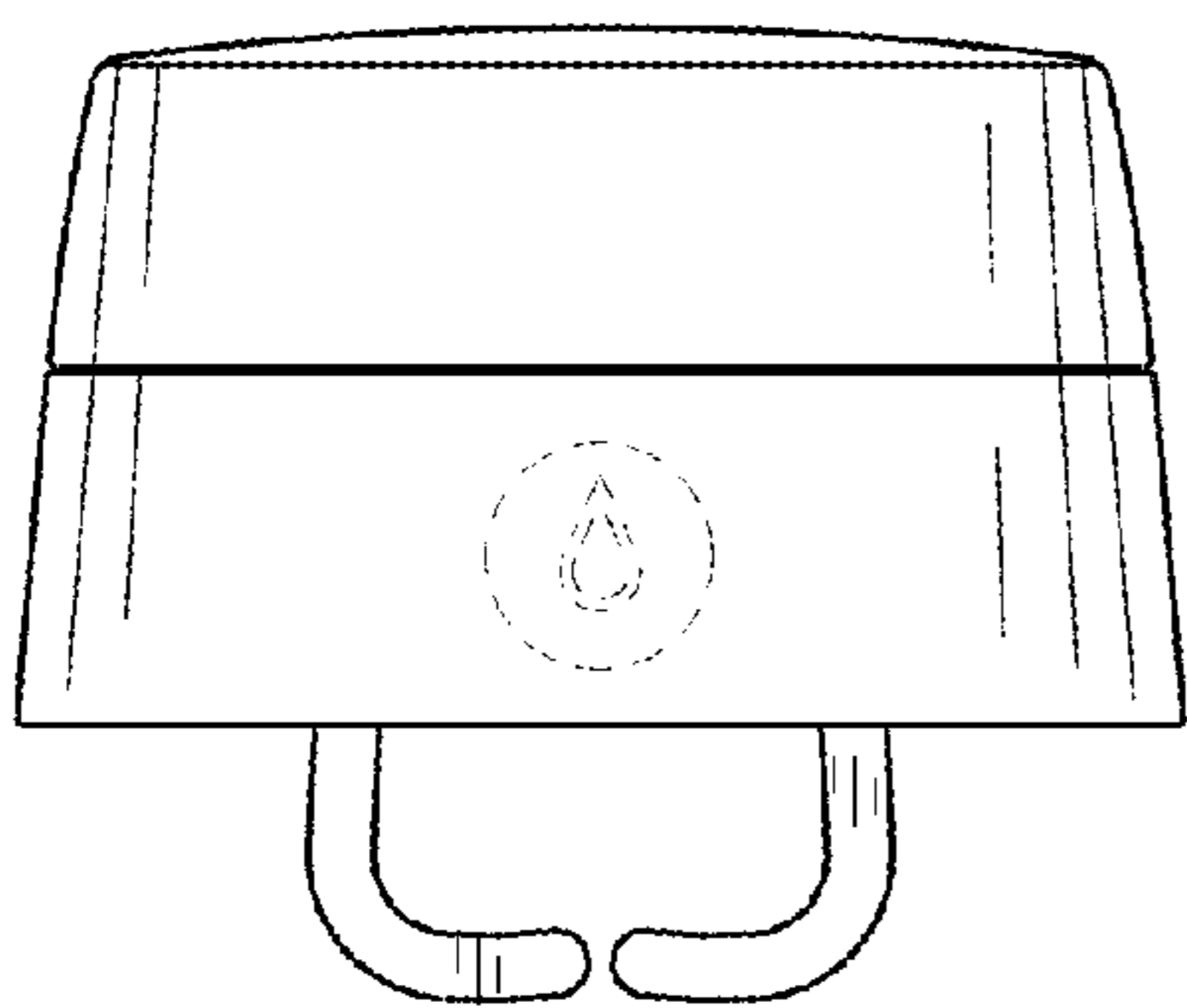


FIG. 4

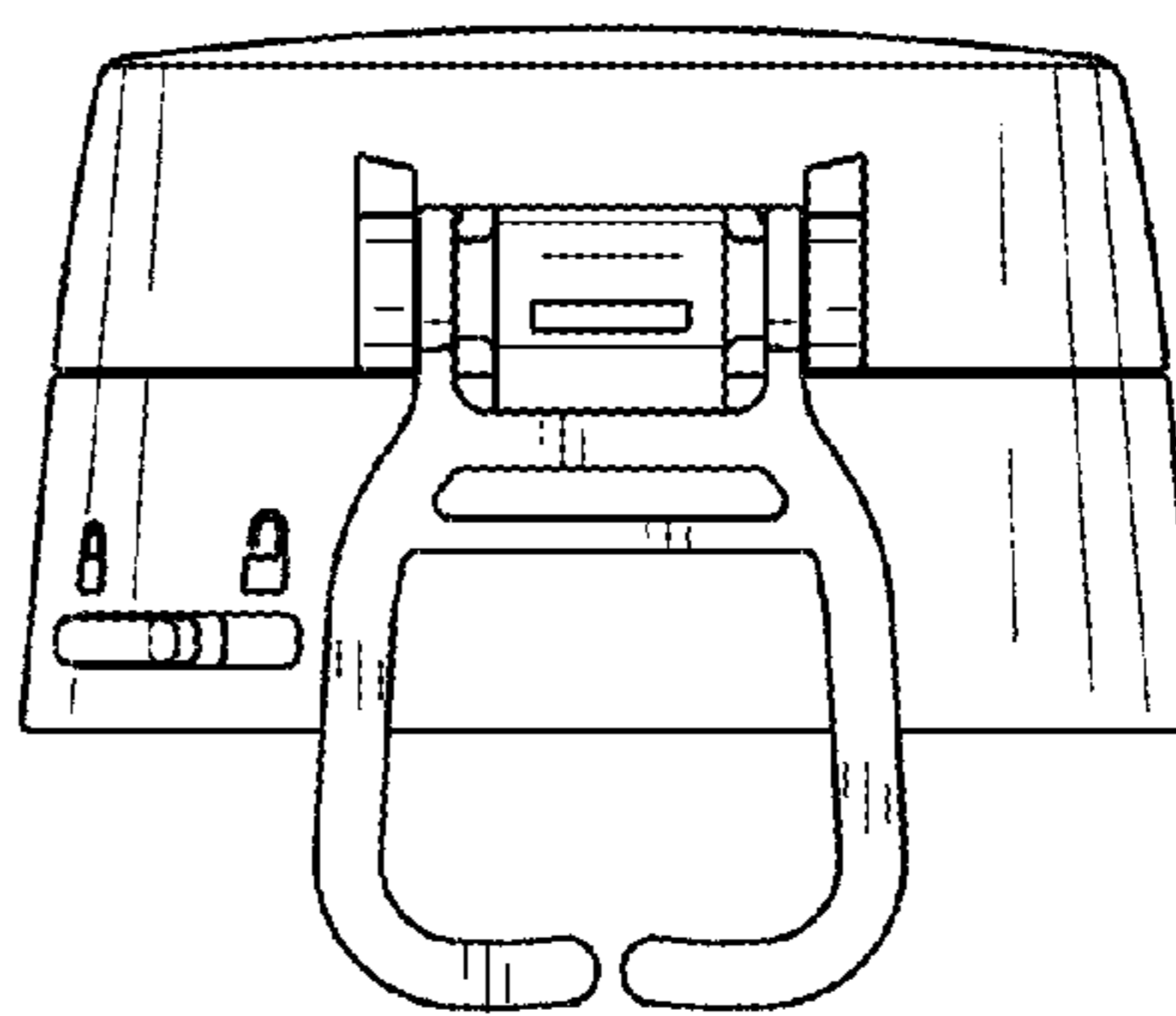


FIG. 5

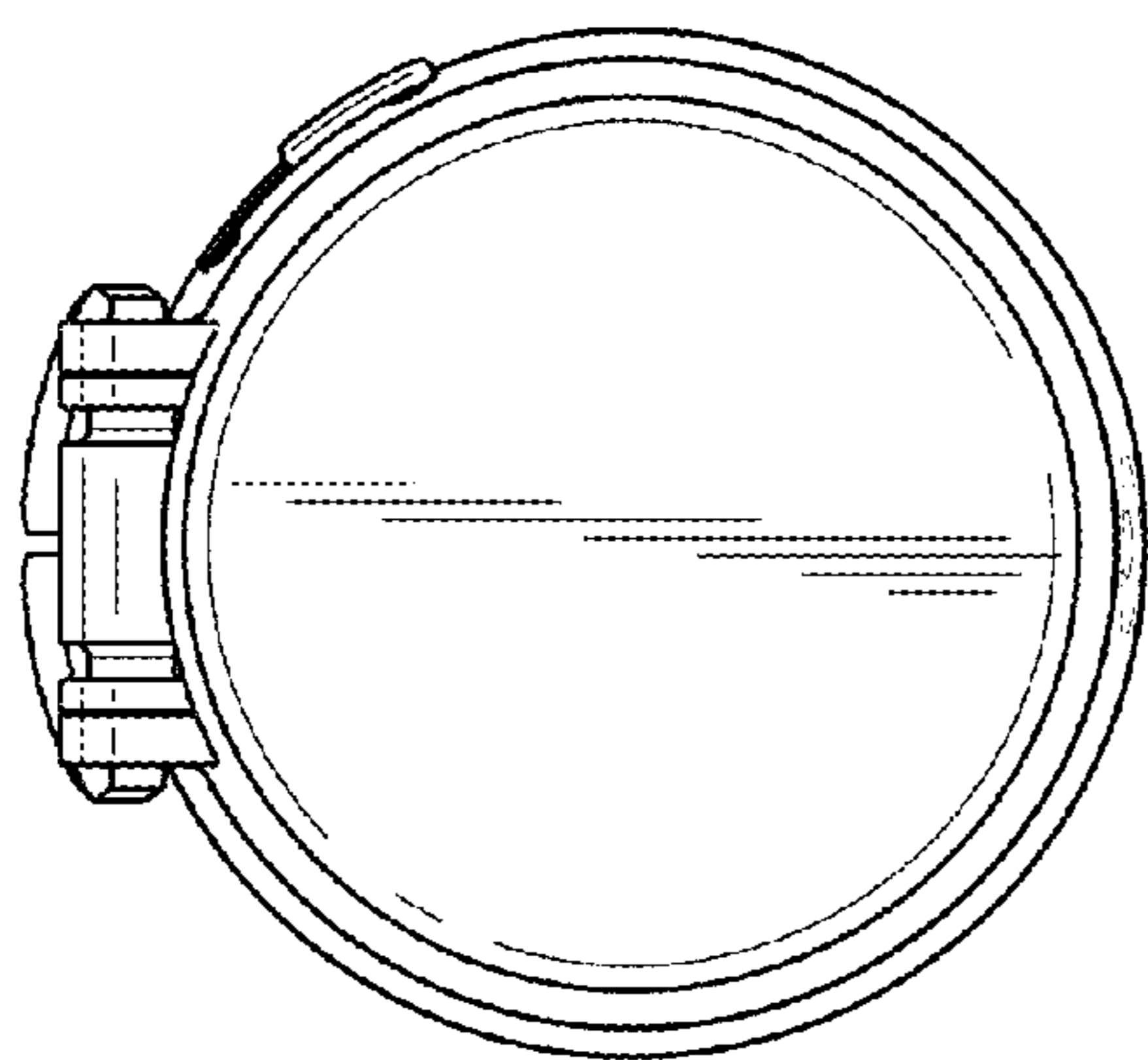


FIG. 6

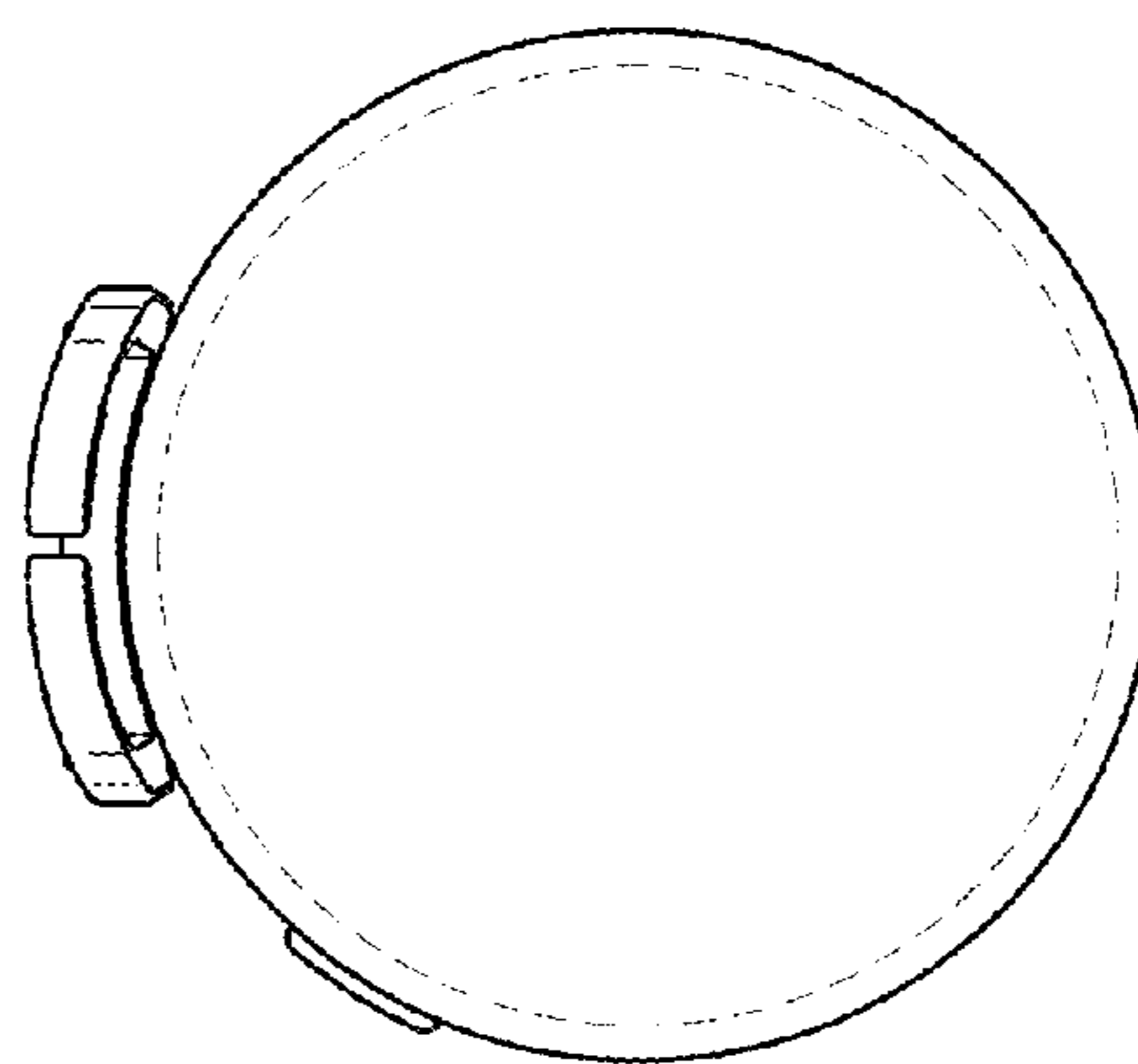


FIG. 7