



US00D748941S

(12) **United States Design Patent**
Konzen

(10) **Patent No.:** **US D748,941 S**
(45) **Date of Patent:** **** Feb. 9, 2016**

(54) **GRILL UNIT**

(71) Applicant: **Franz Dieter Konzen**, Bad Honnef (DE)

(72) Inventor: **Franz Dieter Konzen**, Bad Honnef (DE)

(73) Assignees: **Frank Hecker**, Königswinter (DE);
Marc Kirwald, Königswinter (DE);
Franz Dieter Konzen, Bad Honnef (DE)

(**) Term: **14 Years**

(21) Appl. No.: **29/506,473**

(22) Filed: **Oct. 16, 2014**

(30) **Foreign Application Priority Data**

Apr. 16, 2014 (WO) DM/083 564

(51) **LOC (10) Cl.** **07-02**

(52) **U.S. Cl.**
USPC **D7/350.1**

(58) **Field of Classification Search**
USPC D7/332, 334-337, 402-405, 417, 338,
D7/348; 126/275 E
CPC A47J 37/0704; A47J 37/0763; A47J
37/0745; A47J 37/0713; A47J 37/0768;
A47J 37/079; A47J 36/26; A47J 39/00;
F24B 1/205; F24B 1/02; F24B 15/04; F24C
3/14; F24C 3/027; F24C 15/08; F47J 33/00;
B65D 7/26; B65D 7/24; A23B 4/052
See application file for complete search history.

(56) **References Cited**

U.S. PATENT DOCUMENTS

D190,609 S * 6/1961 Campbell D7/350.4
D287,214 S * 12/1986 Koziol D7/332

D323,444 S * 1/1992 Masters D7/332
D465,378 S * 11/2002 Hermansen D7/332
D517,853 S * 3/2006 Mata, Jr. D7/332
D535,137 S * 1/2007 Mashburn D7/332
D615,798 S * 5/2010 McLemore D7/332
D636,216 S * 4/2011 Marsh D7/332
D686,443 S * 7/2013 Morabito D7/332
2014/0224241 A1 * 8/2014 McCary A47J 37/0623
126/25 R

OTHER PUBLICATIONS

Hot Dog Grill—Mr. Frank TM. Retrieved from internet on Sep. 21, 2015. Retrieved from: “http://www.shop-027.de/shop_cfg/KingBack/97163.jpg”.*

* cited by examiner

Primary Examiner — Ruth McInroy

(74) *Attorney, Agent, or Firm* — Pauley Erickson & Kottis

(57) **CLAIM**

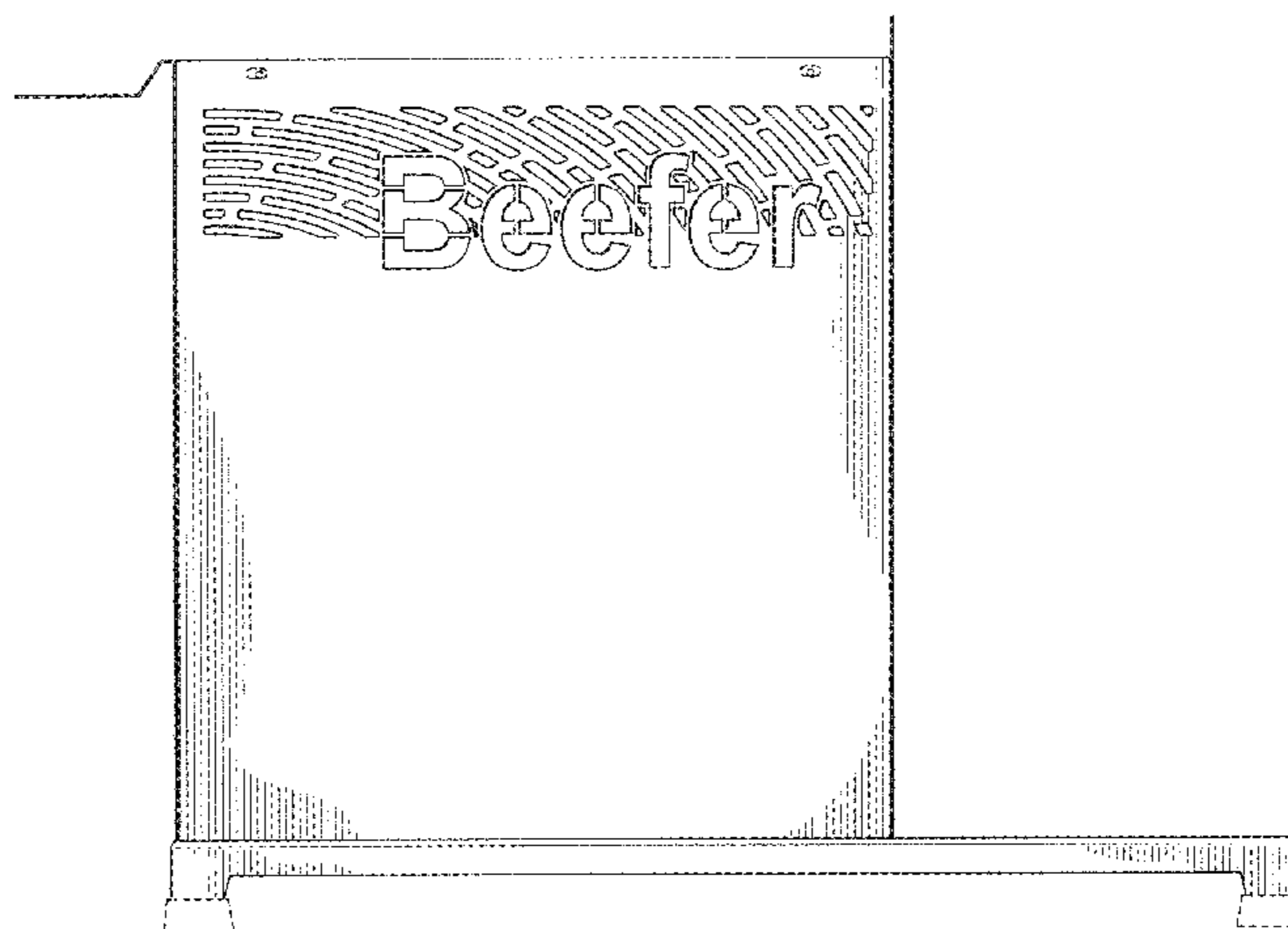
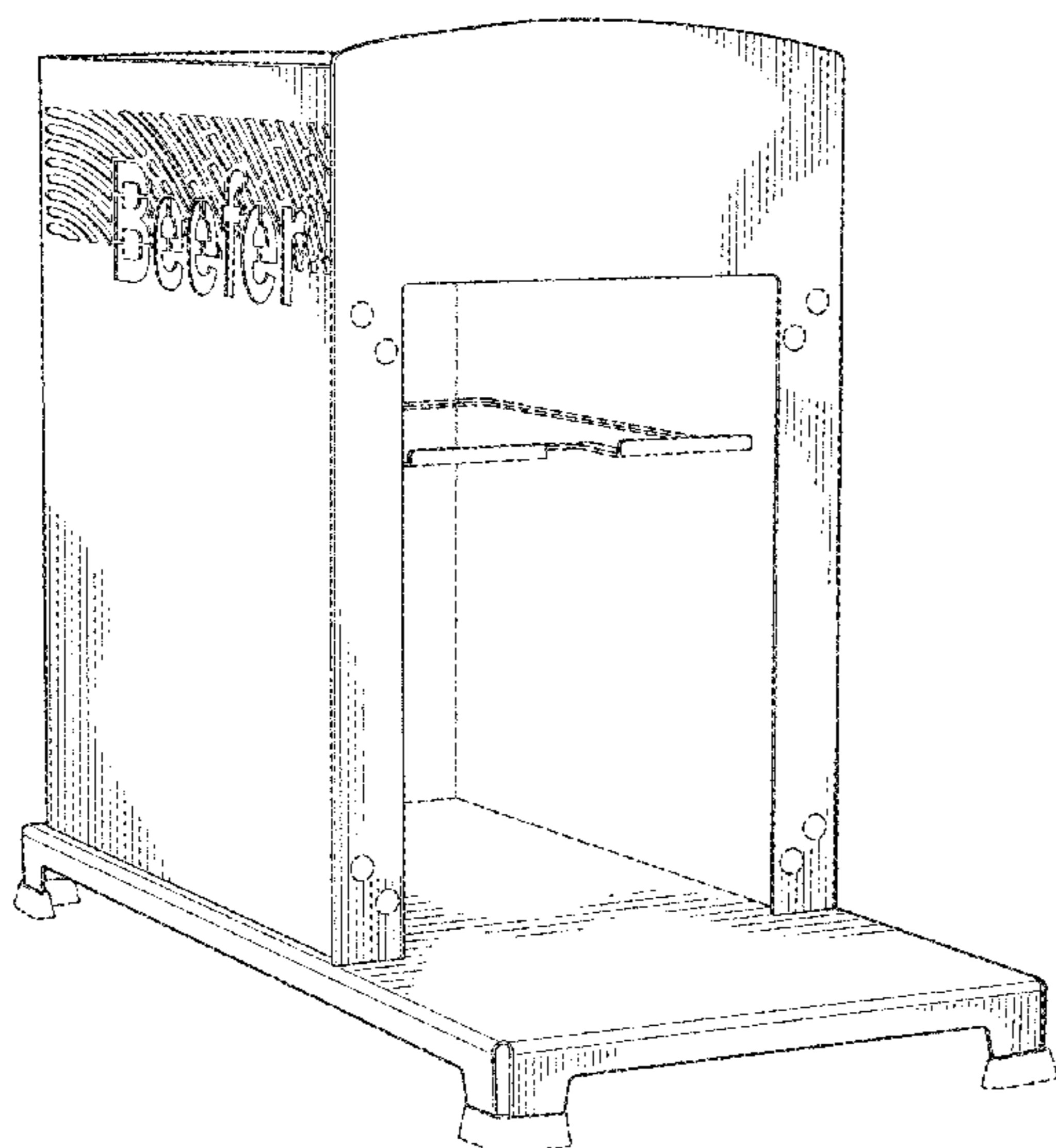
The ornamental design for a grill unit, as shown and described.

DESCRIPTION

FIG. 1 is a front perspective view of a grill unit showing my new design;
FIG. 2 is a side view thereof;
FIG. 3 is a top view thereof;
FIG. 4 is a side view of the opposite side of FIG. 2;
FIG. 5 is a front view thereof;
FIG. 6 is a rear view thereof; and,
FIG. 7 is a bottom view thereof.

The details shown in broken lines form no part of the claimed design.

1 Claim, 6 Drawing Sheets



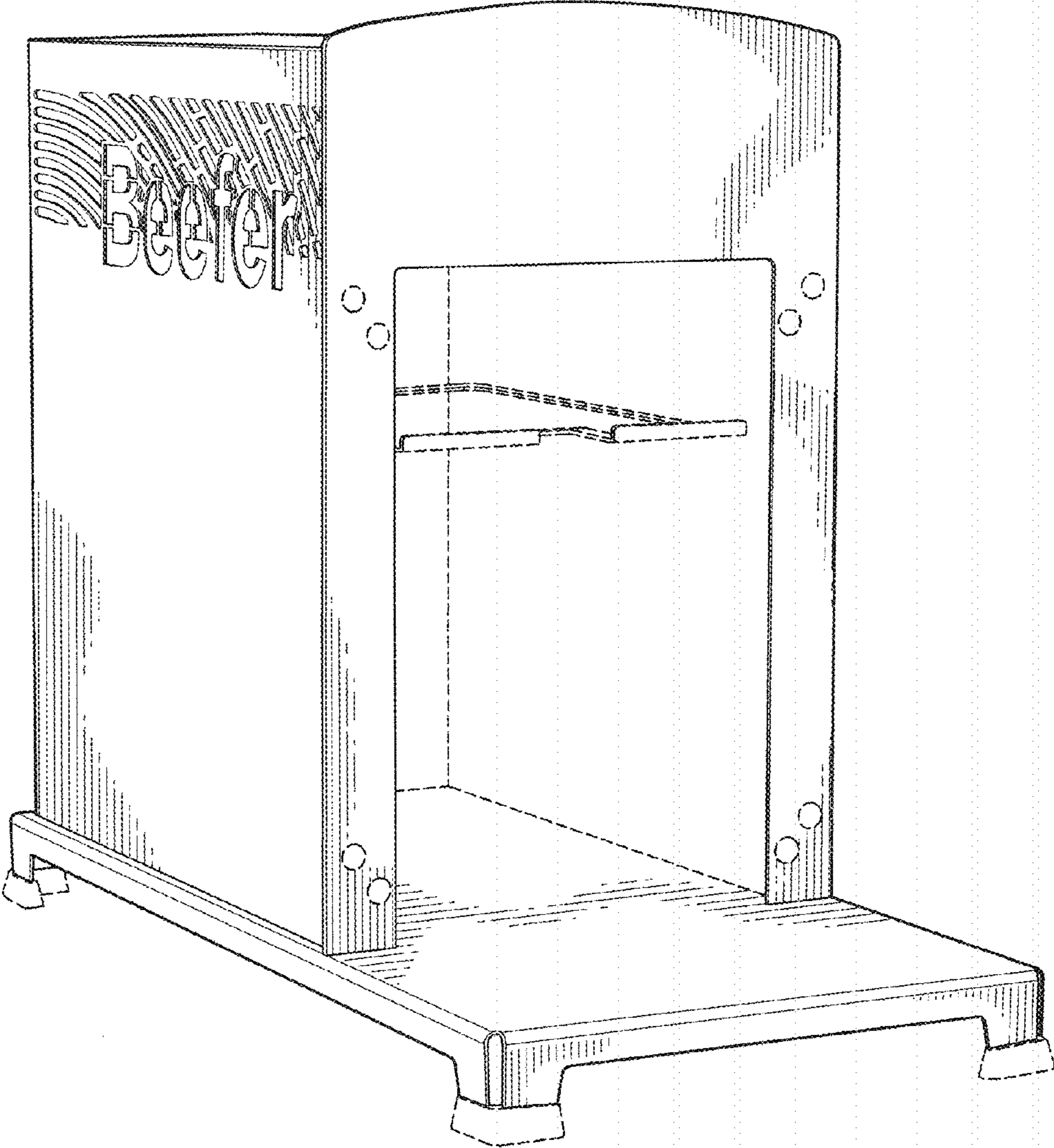


FIG. 1

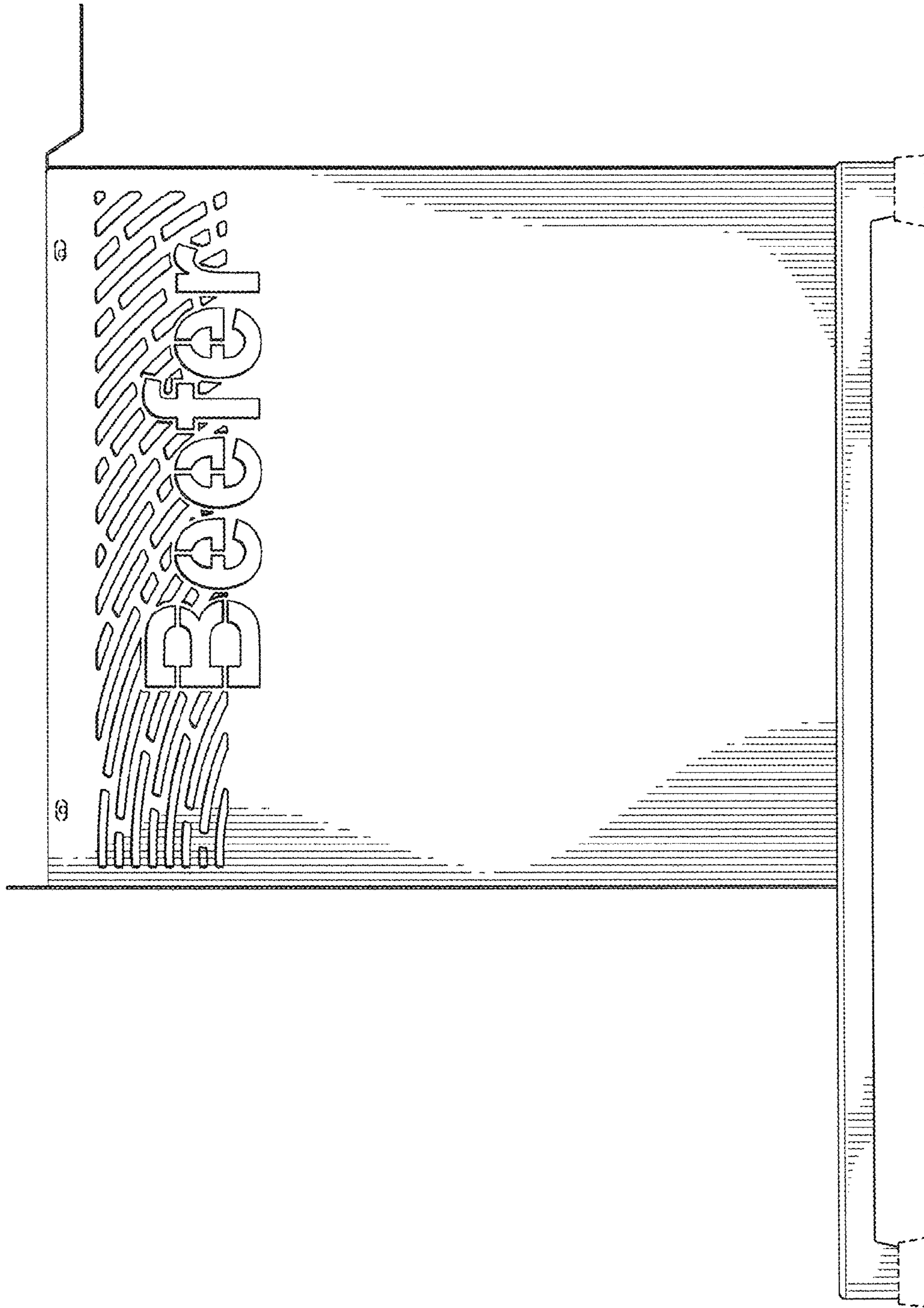


FIG. 2

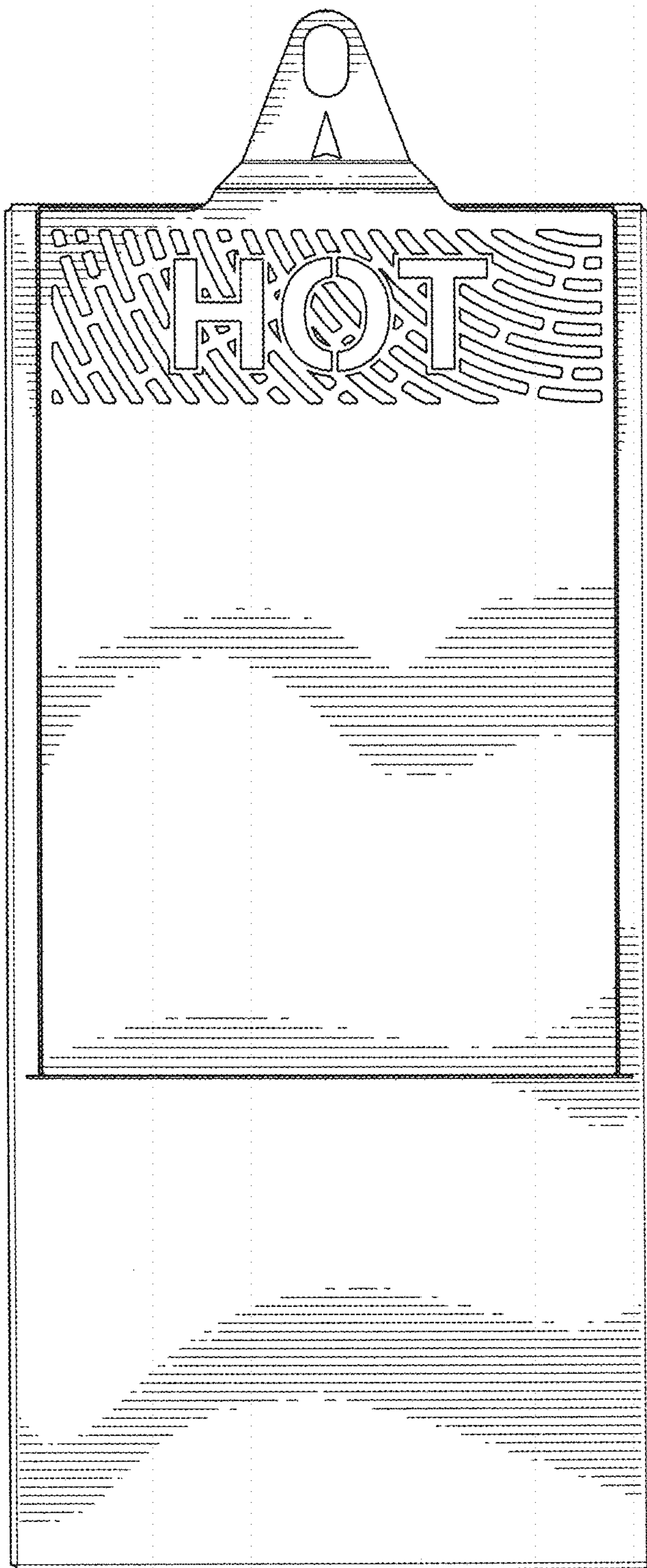


FIG. 3

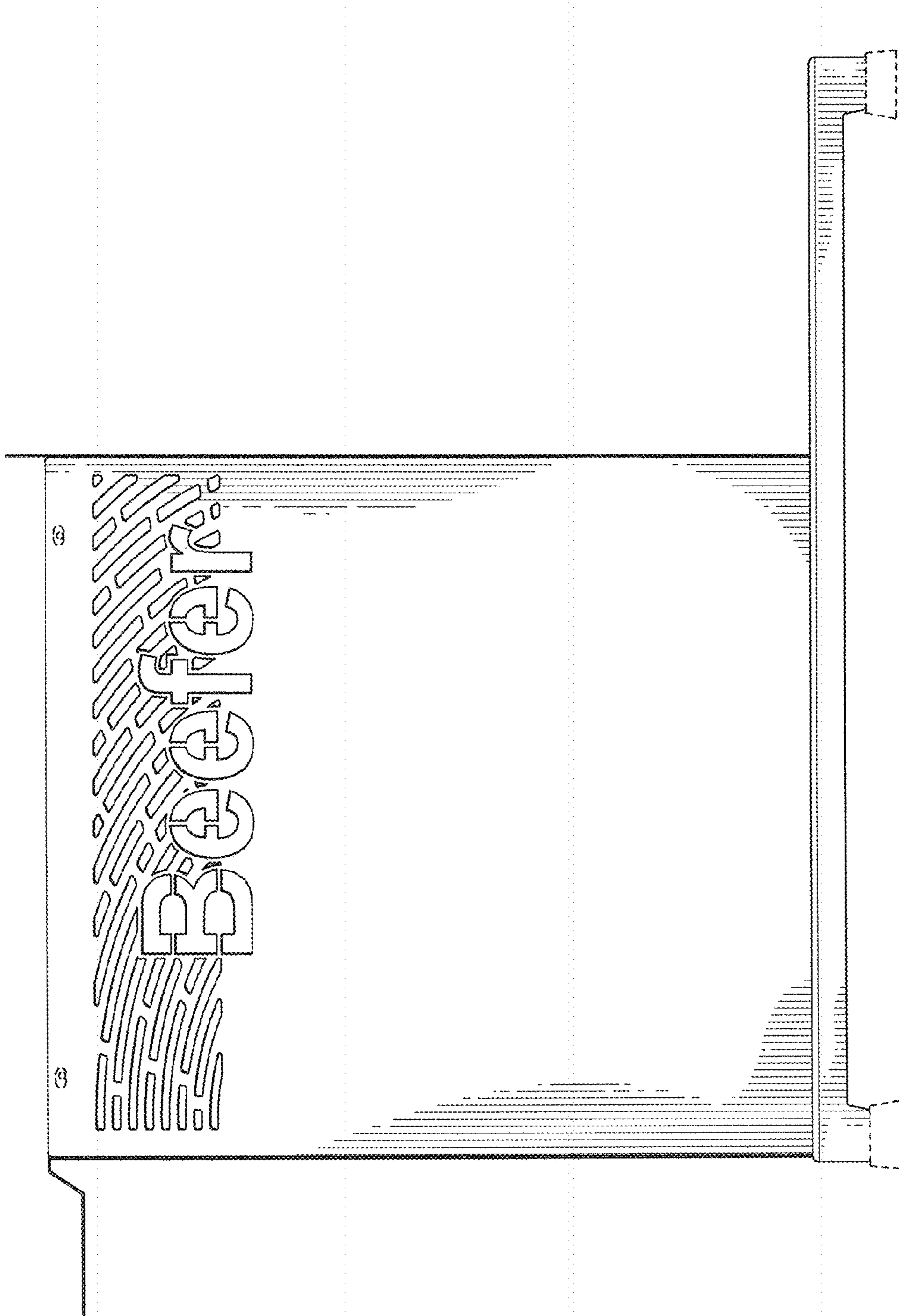


FIG. 4

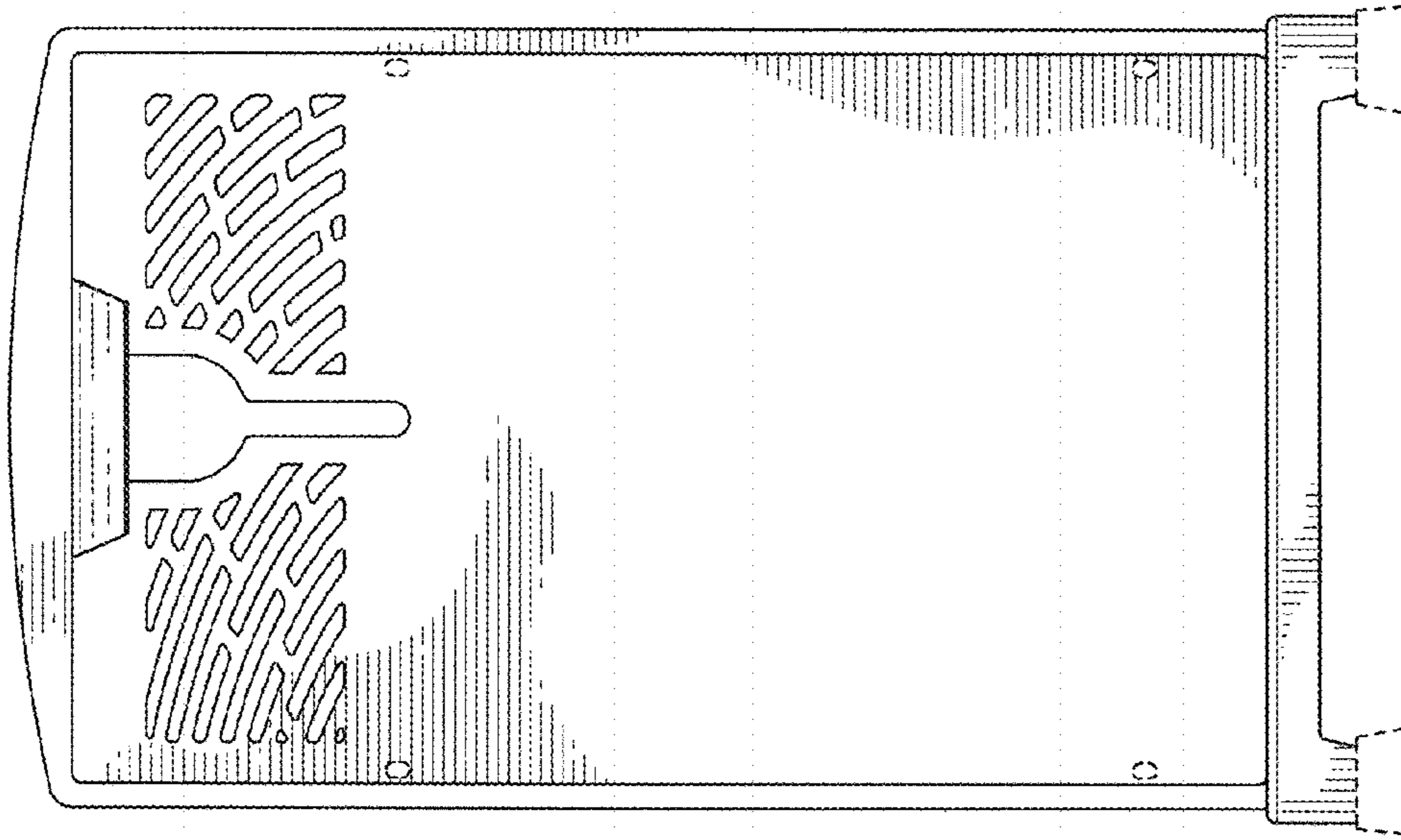


FIG. 6

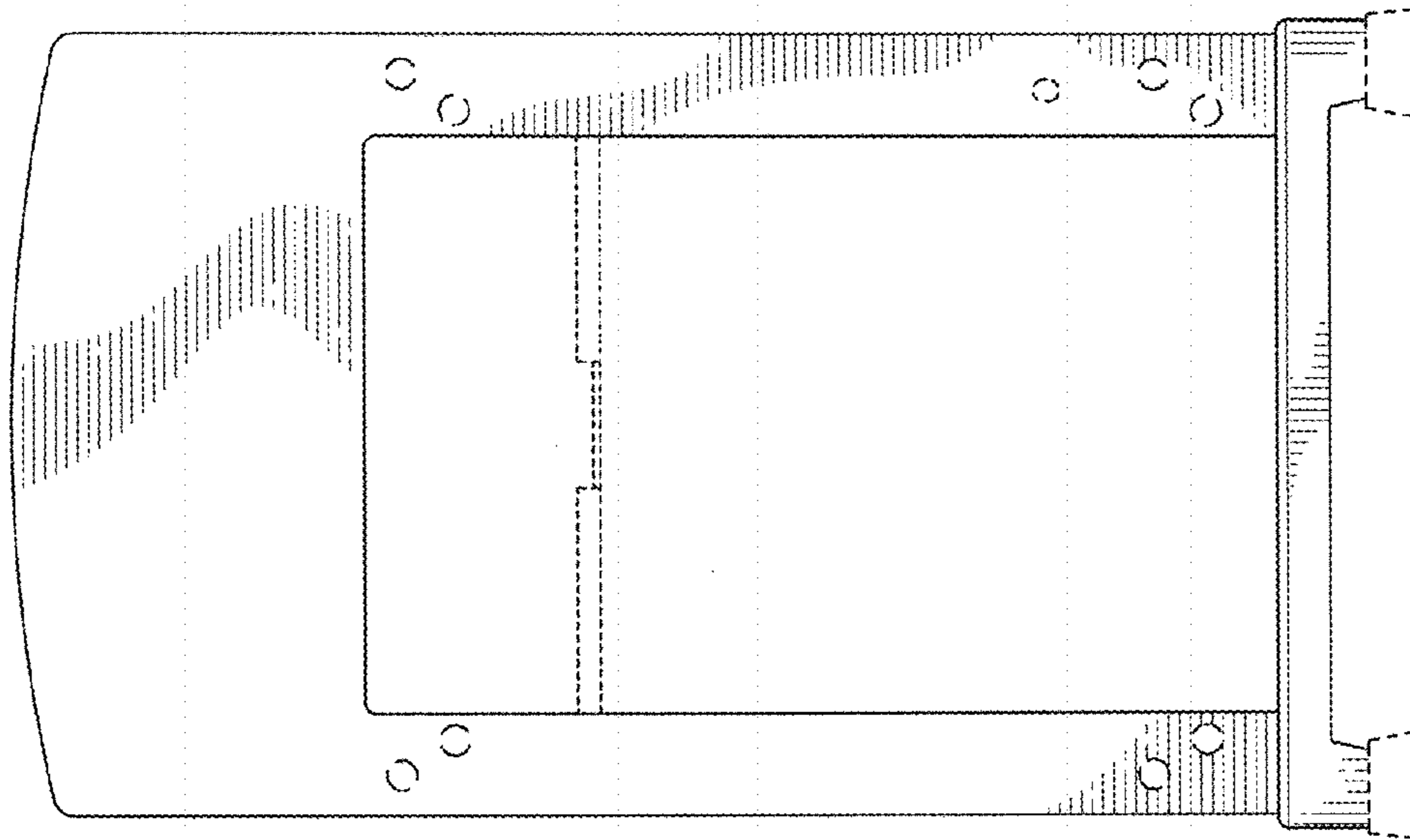


FIG. 5

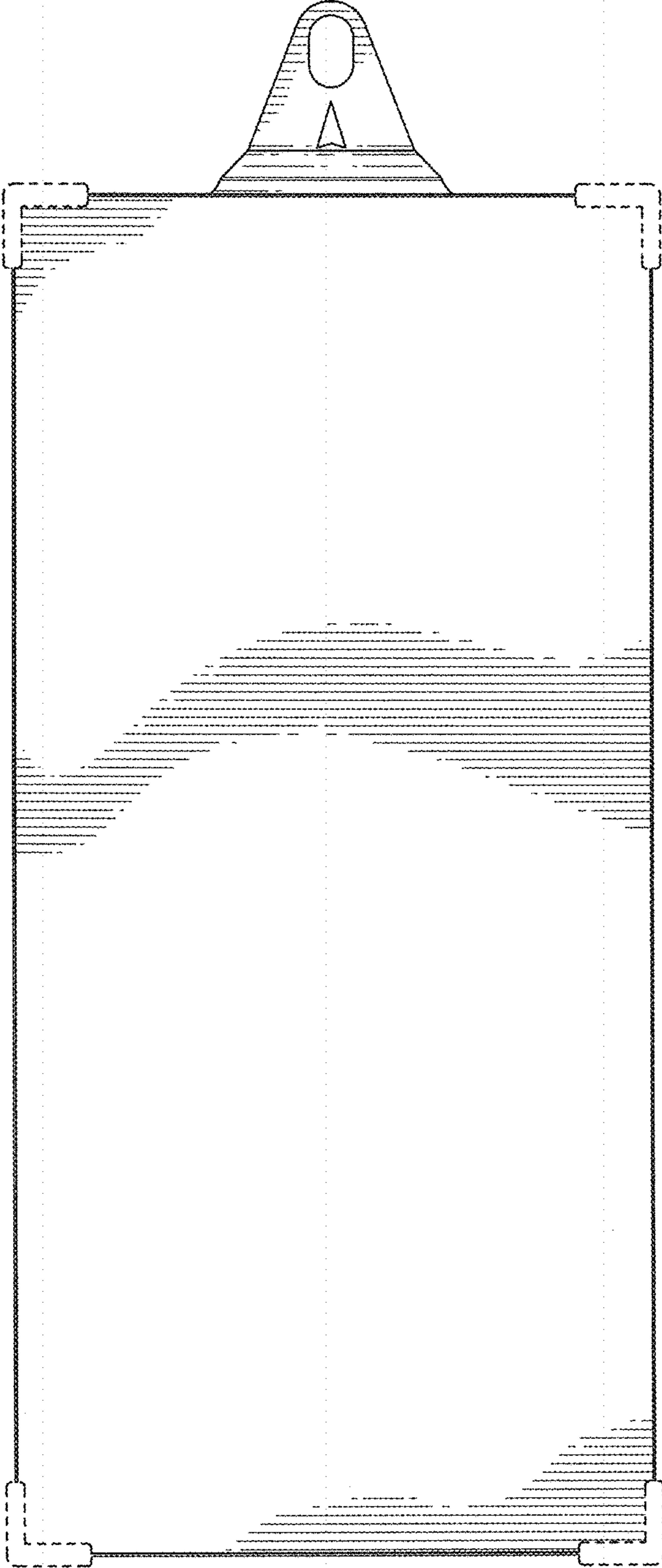


FIG. 7