



US00D748937S

(12) **United States Design Patent**  
**Belitz et al.**

(10) **Patent No.:** **US D748,937 S**  
(45) **Date of Patent:** **\*\* Feb. 9, 2016**

(54) **SUPPORT APPARATUS**  
(71) Applicant: **Swift Distribution, Inc.**, Torrance, CA  
(US)  
(72) Inventors: **Michael Belitz**, Manhattan Beach, CA  
(US); **Patrick M. Bertsch**, Thornton,  
CO (US)

824,596 A 6/1906 Smith  
958,052 A 5/1910 Williams  
1,309,375 A 6/1919 Taylor  
1,376,593 A 5/1921 Tuttle  
1,574,899 A 3/1926 Kellogg  
1,612,148 A 12/1926 Oettinger  
1,672,605 A 6/1928 Dobrick  
1,673,205 A 6/1928 Romao

(Continued)

(73) Assignee: **Swift Distribution, LLC**, Loveland, CO  
(US)

**FOREIGN PATENT DOCUMENTS**

(\*\*) Term: **14 Years**

WO 9520107 7/1995  
WO 2004065841 8/2004

(Continued)

(21) Appl. No.: **29/443,797**

**OTHER PUBLICATIONS**

(22) Filed: **Jan. 22, 2013**

Ultimate Support Systems, Inc. 1993 Product Catalog (Music Stand  
Edition).

(51) **LOC (10) Cl.** ..... **06-06**

(52) **U.S. Cl.**  
USPC ..... **D6/682.3**

(Continued)

(58) **Field of Classification Search**  
USPC ..... D6/396-397, 409-410, 419, 431, 449,  
D6/498, 672, 678, 682, 682.1, 682.3;  
108/150, 161; 248/121, 164, 166,  
248/177.1  
CPC ..... A47F 5/00; A47F 5/04; A47F 5/10;  
A47F 7/0021

*Primary Examiner* — Kelley Donnelly  
(74) *Attorney, Agent, or Firm* — Sheridan Ross P.C.

(57) **CLAIM**

The ornamental design for a support apparatus, as shown and  
described.

See application file for complete search history.

**DESCRIPTION**

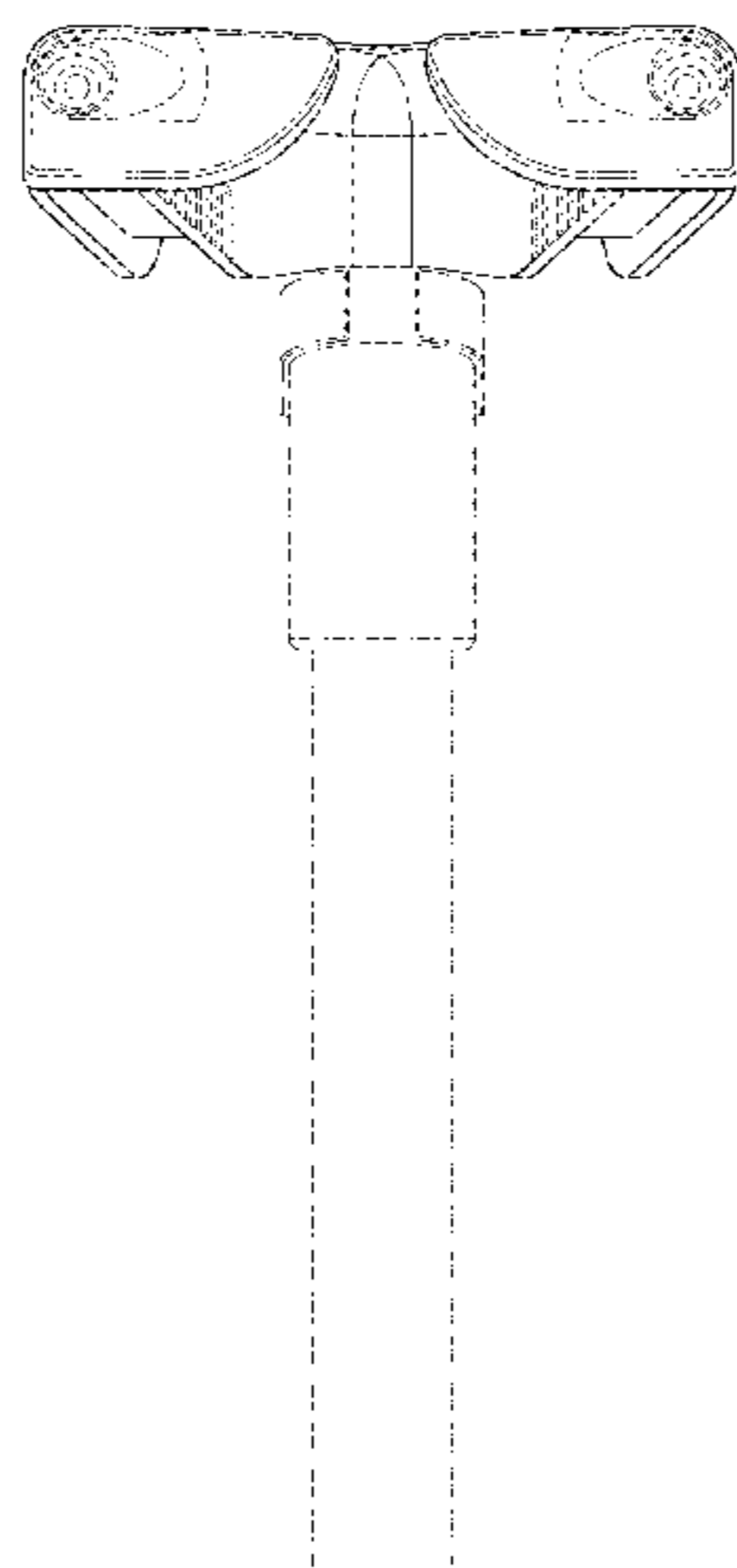
(56) **References Cited**

**U.S. PATENT DOCUMENTS**

169,383 A 11/1875 Starr  
230,851 A 8/1880 Anthony  
259,957 A 6/1882 White  
368,426 A 8/1887 Ruttmann et al.  
D18,940 S 2/1889 Jackson  
414,962 A 11/1889 Anderson  
438,238 A 10/1890 Jefferies et al.  
566,361 A 8/1896 White  
688,623 A 12/1901 Forry  
730,062 A 6/1903 Widmer  
742,453 A 10/1903 Lake

FIG. 1 is a front view of a support apparatus showing our new  
design;  
FIG. 2 is a rear view thereof;  
FIG. 3 is a top view thereof;  
FIG. 4 is a bottom view thereof;  
FIG. 5 is a right side view thereof;  
FIG. 6 is a left side view thereof; and,  
FIG. 7 is a perspective view thereof.  
The broken lines are for the purposes of illustrating the envi-  
ronment of the article only and form no part of the claimed  
design.

**1 Claim, 7 Drawing Sheets**







(56)

References Cited

U.S. PATENT DOCUMENTS

7,384,078 B2 6/2008 Cobb et al.  
 7,412,069 B2 8/2008 Workman et al.  
 D576,870 S 9/2008 Eason et al.  
 D578,103 S 10/2008 Matsuoka  
 D578,940 S \* 10/2008 Tsay et al. .... D12/175  
 D579,926 S 11/2008 Whitworth  
 D579,927 S 11/2008 Whitworth  
 D580,262 S 11/2008 Eason et al.  
 D581,697 S 12/2008 Fix  
 D581,698 S 12/2008 Fix  
 D582,697 S 12/2008 Goodman et al.  
 7,468,480 B1 12/2008 Sikra  
 D585,432 S 1/2009 Baker  
 D589,151 S 3/2009 Sabio  
 7,534,965 B1 5/2009 Thompson  
 7,560,633 B1 7/2009 Wang  
 D601,817 S 10/2009 Barbieri  
 7,628,360 B2 12/2009 Anthes et al.  
 7,632,999 B2 12/2009 Wilkerson  
 7,637,686 B2 12/2009 Wood et al.  
 D613,092 S 4/2010 Eason et al.  
 D623,331 S 9/2010 Rotwitt  
 D624,865 S \* 10/2010 Figueiredo ..... D12/345  
 7,805,881 B2 10/2010 Kavanaugh  
 D626,494 S \* 11/2010 Gates et al. .... D12/412  
 7,928,304 B2 4/2011 Eason et al.  
 D639,088 S 6/2011 Rodgers et al.  
 D643,230 S 8/2011 Hepeng  
 D646,501 S 10/2011 Hepeng  
 D646,505 S \* 10/2011 Eason ..... D6/682.3  
 8,075,217 B2 12/2011 Eason  
 D652,190 S 1/2012 Slaton et al.  
 8,106,278 B2 1/2012 Eason et al.  
 D667,819 S 9/2012 Slaton  
 D694,466 S \* 11/2013 Kjaergaard ..... D26/142  
 D707,475 S \* 6/2014 Triato ..... D6/682.3  
 D711,307 S \* 8/2014 Fair ..... D12/412  
 D713,302 S \* 9/2014 Williams ..... D12/160  
 D716,592 S \* 11/2014 Belitz ..... D6/682.3  
 D718,963 S \* 12/2014 Hazlett ..... D6/682.3  
 D720,178 S \* 12/2014 Thurin et al. .... D7/392.1  
 D722,309 S \* 2/2015 Green et al. .... D14/250  
 D725,793 S \* 3/2015 Nosworthy ..... D25/68  
 D729,596 S \* 5/2015 Hauser et al. .... D7/693  
 2001/0020668 A1 9/2001 Thomas et al.  
 2002/0030146 A1 3/2002 Akaike  
 2002/0100852 A1 8/2002 Eason et al.  
 2002/0109051 A1 8/2002 Kitagawa et al.  
 2002/0169460 A1 11/2002 Foster  
 2002/0194979 A1 12/2002 Hsieh  
 2003/0052237 A1 3/2003 Yu  
 2003/0140766 A1 7/2003 Izen et al.  
 2003/0178544 A1 9/2003 Anderson  
 2004/0144233 A1 7/2004 Hsieh  
 2004/0175013 A1 9/2004 Gleissner  
 2004/0245416 A1 12/2004 Atlee  
 2005/0035247 A1 2/2005 Roberts et al.  
 2006/0060113 A1 3/2006 Chang  
 2006/0175523 A1 8/2006 Tai  
 2006/0177260 A1 8/2006 Liao  
 2006/0185495 A1 8/2006 Hsieh  
 2006/0198628 A1 9/2006 Knightlinger  
 2007/0001413 A1 1/2007 Rossini  
 2007/0262567 A1 11/2007 Benson et al.  
 2008/0078914 A1 4/2008 Liao  
 2008/0135697 A1 6/2008 Workman et al.  
 2008/0229901 A1 9/2008 Eason et al.  
 2008/0247810 A1 10/2008 Eason  
 2008/0253601 A1 10/2008 Hilderman  
 2009/0215545 A1 8/2009 King et al.  
 2010/0042111 A1 2/2010 Qureshi  
 2010/0116121 A1 5/2010 Eason  
 2010/0163693 A1 7/2010 Wang  
 2010/0181444 A1 7/2010 Wang  
 2010/0243828 A1 9/2010 Lippert et al.

2010/0301188 A1 12/2010 Schimelfenyg  
 2010/0313735 A1 12/2010 Steinhouse et al.  
 2011/0154975 A1 6/2011 Belitz et al.  
 2011/0239844 A1 10/2011 Eason et al.  
 2011/0271516 A1 11/2011 Slaton

FOREIGN PATENT DOCUMENTS

WO 2004066667 8/2004  
 WO 20050070132 A2 4/2005  
 WO 20050067541 A2 7/2005  
 WO 2005070123 A2 8/2005  
 WO 2005070184 8/2005  
 WO 2006073383 A2 7/2006  
 WO 2008134653 11/2008  
 WO 2009091929 7/2009  
 WO 2010083333 A1 7/2010  
 WO 2011088238 A1 7/2011

OTHER PUBLICATIONS

Ultimate Support Systems, Inc. 1994 Product Catalog (Music Stand Edition).  
 Ultimate Support Systems, Inc. 1996 Product Catalog (Music Stand Edition).  
 Ultimate Support Systems, Inc. 1998 Product Catalog (Music Stand Edition).  
 Ultimate Support Systems, Inc. 1999 Product Catalog (Music Stand Edition).  
 Ultimate Support Systems, Inc. 2000 Product Catalog (Music Stand Edition).  
 Ultimate Support Systems, Inc. 2001 Product Catalog (Music Stand Edition).  
 Ultimate Support Systems, Inc. 2002 Product Catalog (Music Stand Edition).  
 Ultimate Support Systems, Inc. 2003 Product Catalog (Music Stand Edition).  
 Ultimate Support Systems, Inc. 2004 Product Catalog (Music Stand Edition).  
 Ultimate Support Systems, Inc. 2005 Product Catalog (Music Stand Edition).  
 Ultimate Support Systems, Inc. 2008 Product Catalog (Music Stand Edition).  
 Ultimate Support Systems, Inc. 2010 Product Catalog (Music Stand Edition).  
 Konig & Meyer Spider Keyboard Stand, audioMIDI.com Dec. 28, 2004.  
 Gibraltar Hardware, "Rack Factory" #GRS400C, Gibraltarhardware.com, Jan. 9, 2004, 2 pages.  
 Gibraltar Hardware, "Rack Factory" GRS400C, Gibraltarhardware.com, Oct. 25, 2004, 2 pages, Ride/Crash Overhead Station and Xhat to boom and Rack Options.  
 Gibraltar Hardware, "Rack Factory" GRS400C, Gibraltarhardware.com, Oct. 25, 2004, 2 pages, MiniSnare on Curved Support Tube Option.  
 Gibraltar Hardware, "Rack Factory" GRS400C and GRS150C, Gibraltarhardware.com, Oct. 25, 2004, 2 pages, Boom Arm to Rack and Multi-Cymbal Overhead Station Options.  
 Gibraltar Hardware, "Rack Factory" GRS250C, Gibraltarhardware.com, Oct. 25, 2004, 2 pages, MultiCymbal Setup to rack, Mini Timbale to Rack, Tambourine to Open Tube, and Percussion Table to Open Tube Options.  
 Gibraltar Hardware, "Rack Factory" GRS350C, Gibraltarhardware.com, Oct. 25, 2004, 2 pages, Triple Cymbal Station to Rack and Large Tom to Rack Options.  
 Pintech, USA, Control the Sound with America's E Drum Color Brochure, 2004, 5 pages.  
 Roland Corporation, roland.com MDS-10RD, printed from website as of Nov. 5, 2004.  
 Roland Corporation, roland.com MDS-8C, printed from website as of Nov. 5, 2004.  
 Roland Corporation, roland.com MDS-6, printed from website as of Nov. 5, 2004.

(56)

**References Cited**

OTHER PUBLICATIONS

Tama Hardware, PMD300FC Power Tower System, tama.com, Jan. 9, 2004, 1 page.

Tama Hardware, PMD800SS Power Tower System, tama.com, Jan. 9, 2004, 2 pages.

Yamaha Percussion System Drum Rack, not later than Jan. 18, 2012.

\* cited by examiner

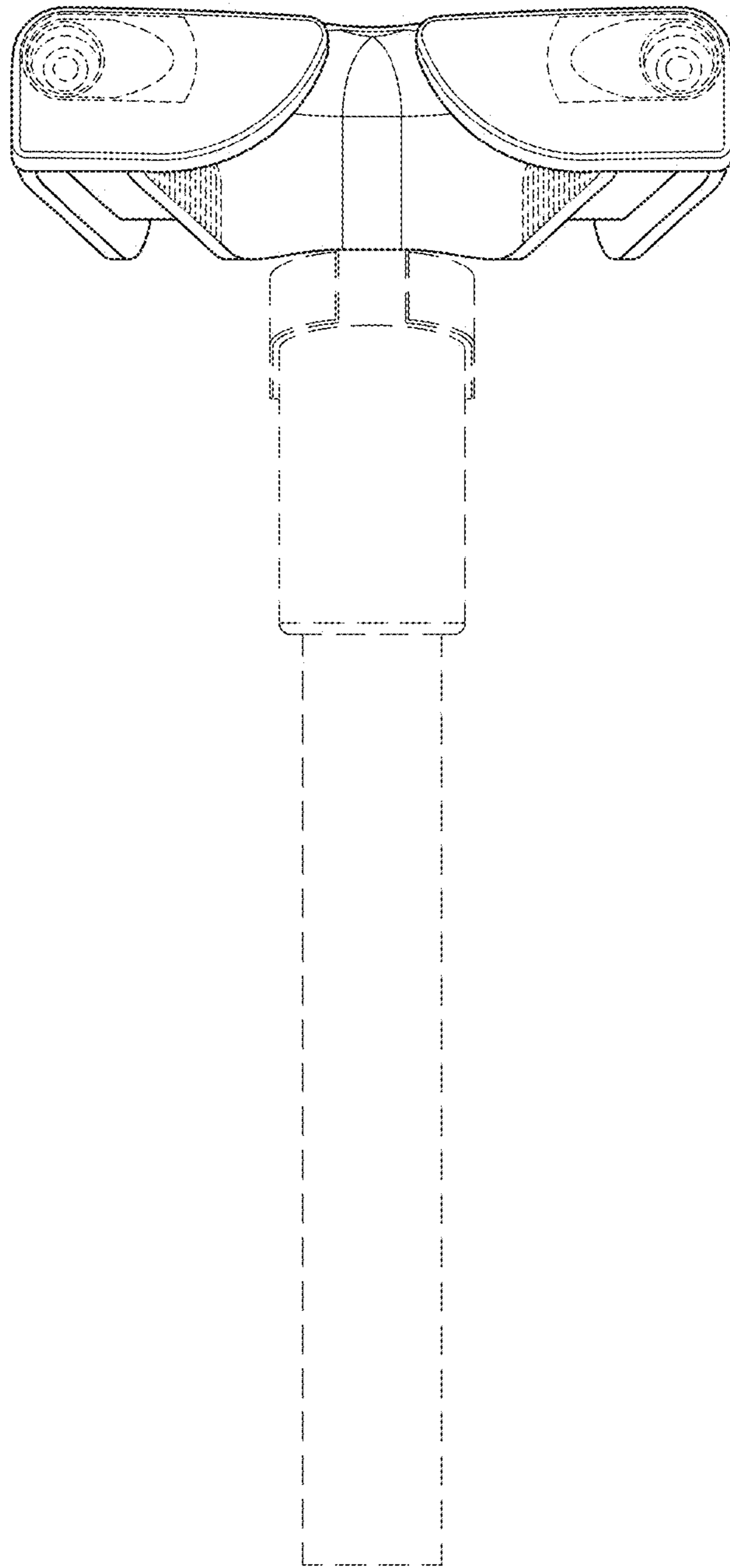


FIG.1

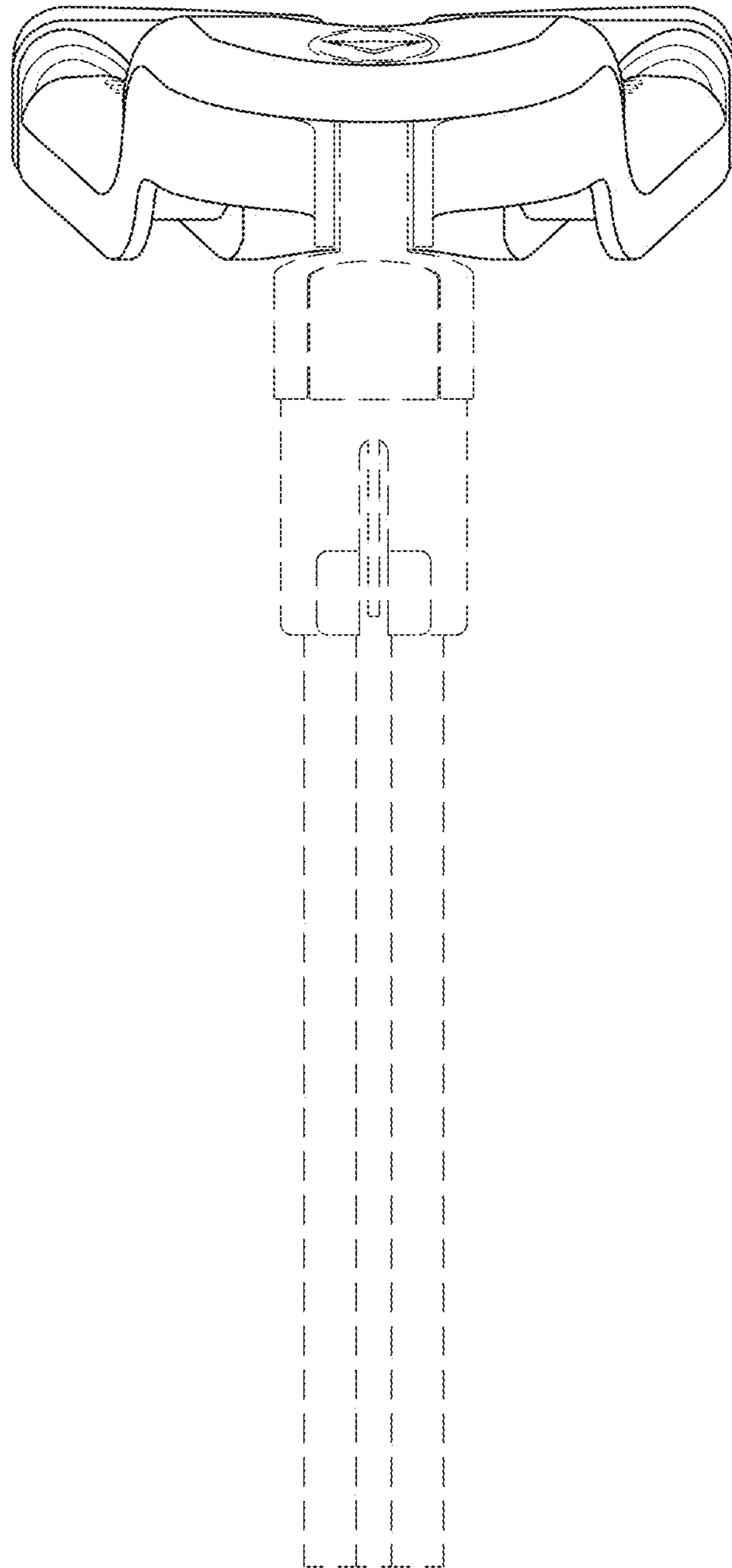


FIG.2

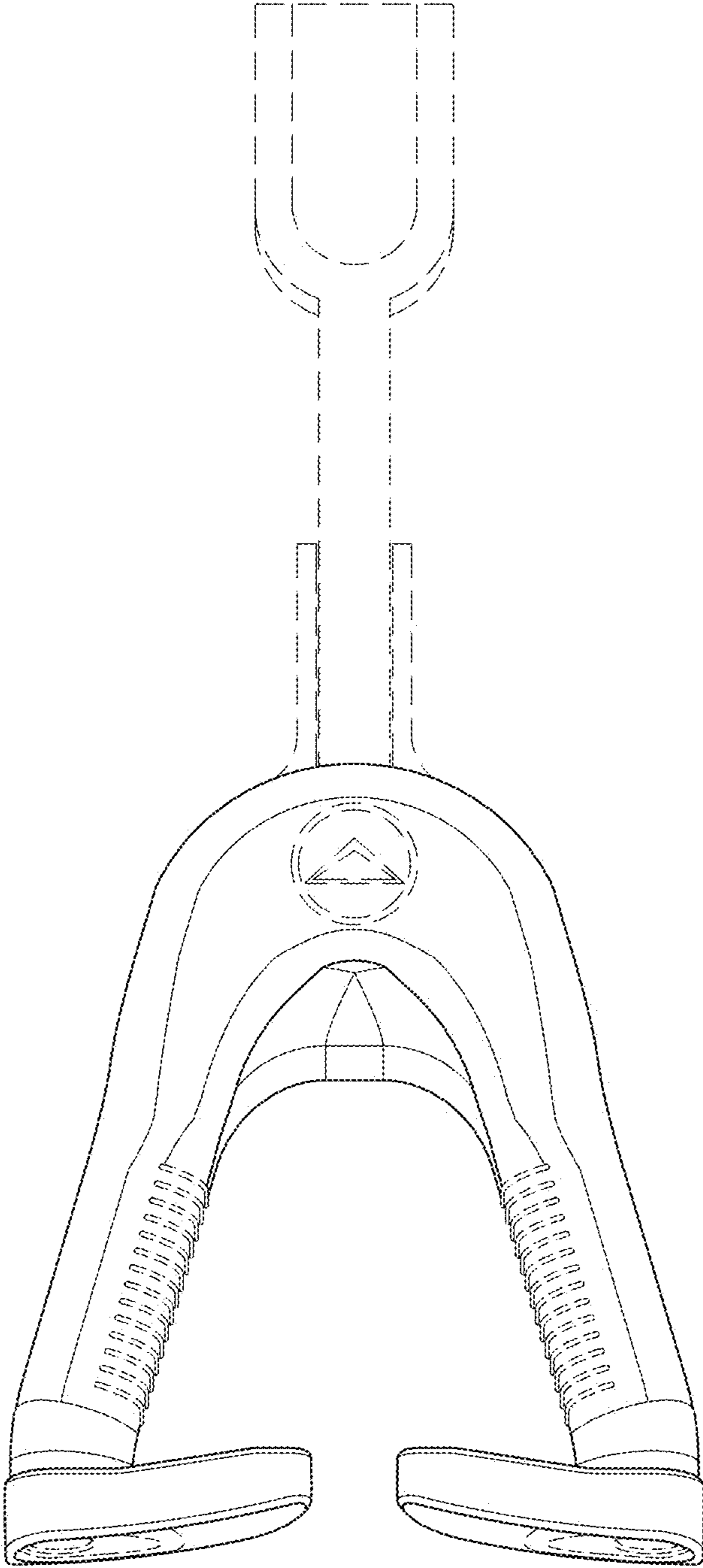


FIG.3



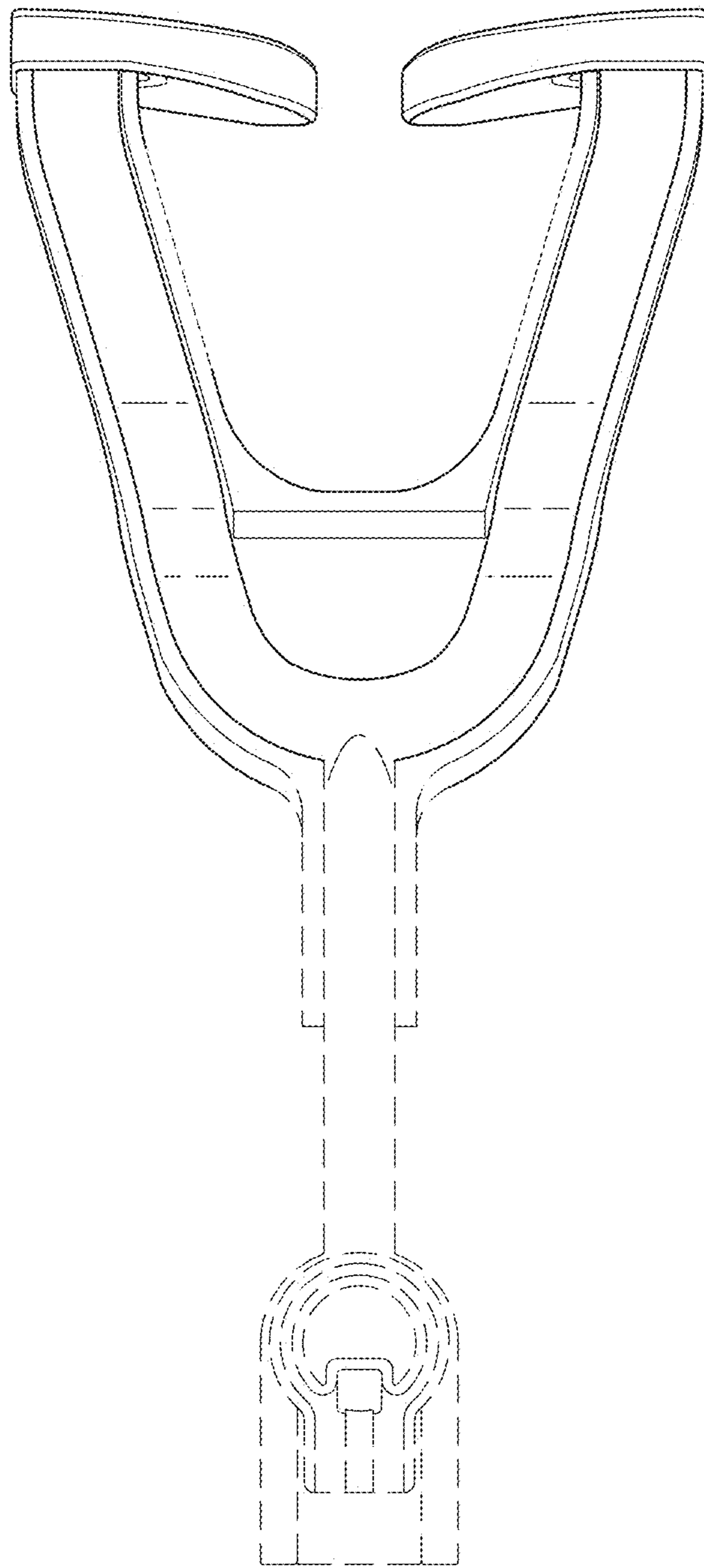


FIG.4

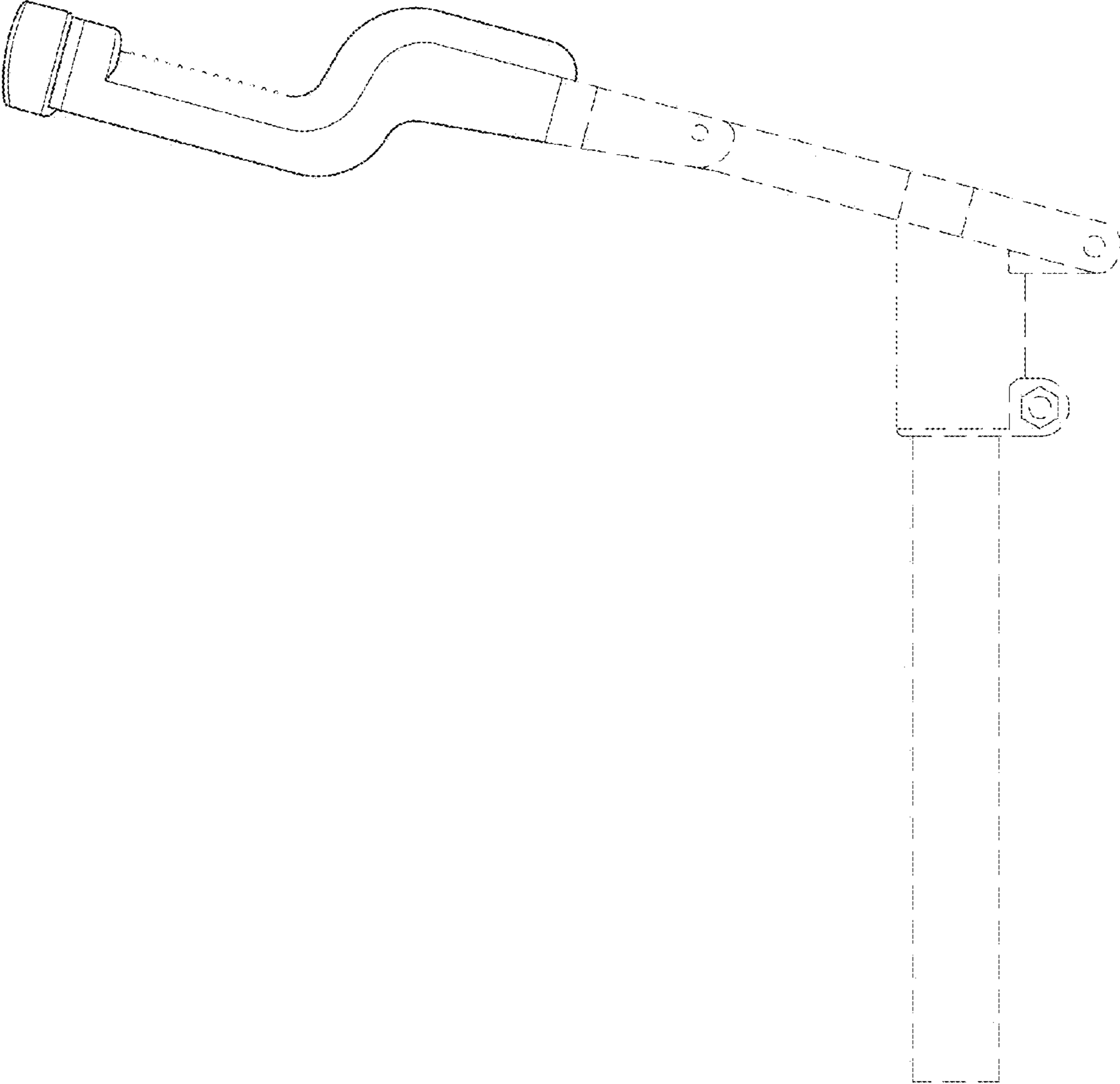


FIG.5

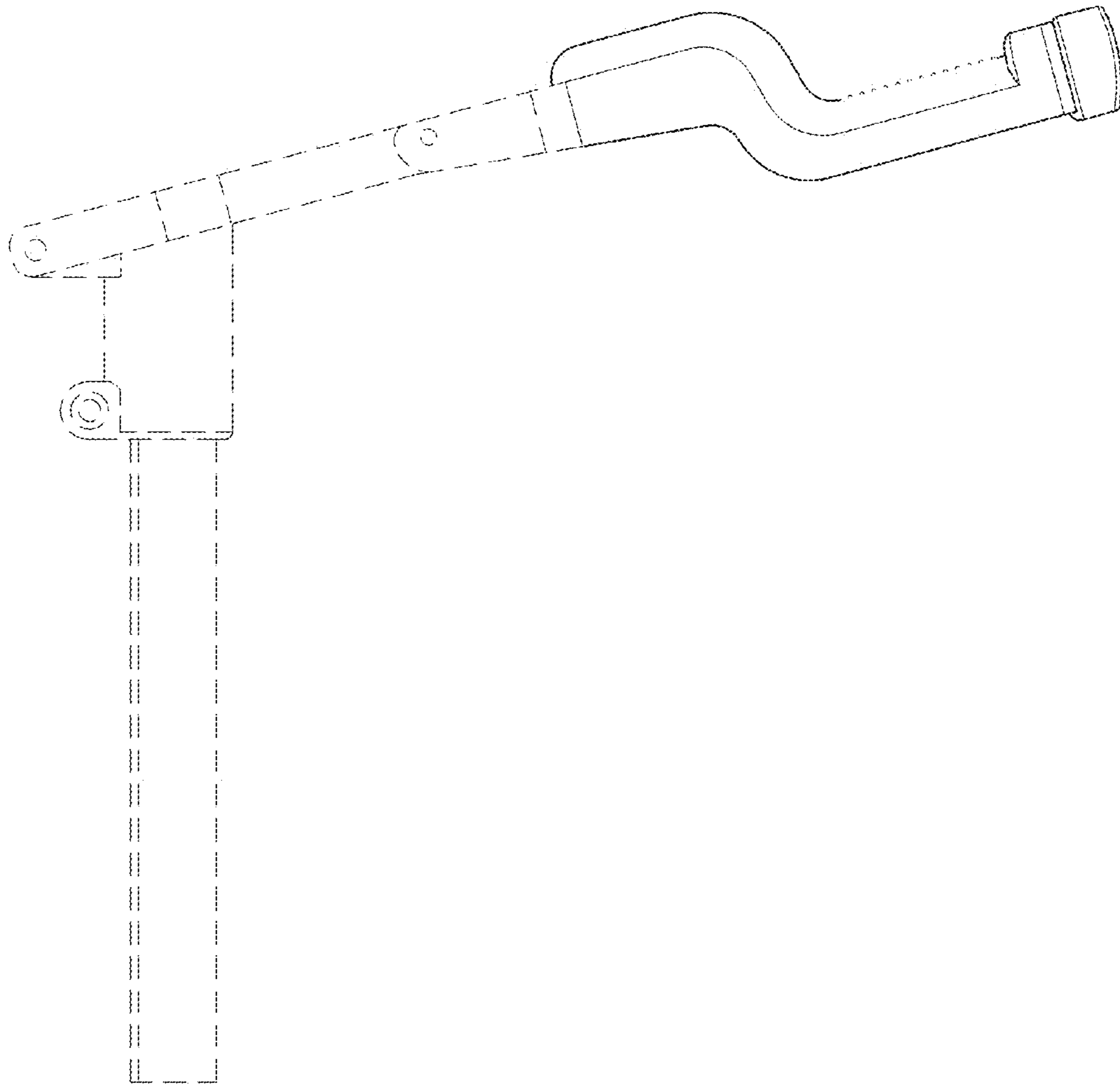


FIG.6

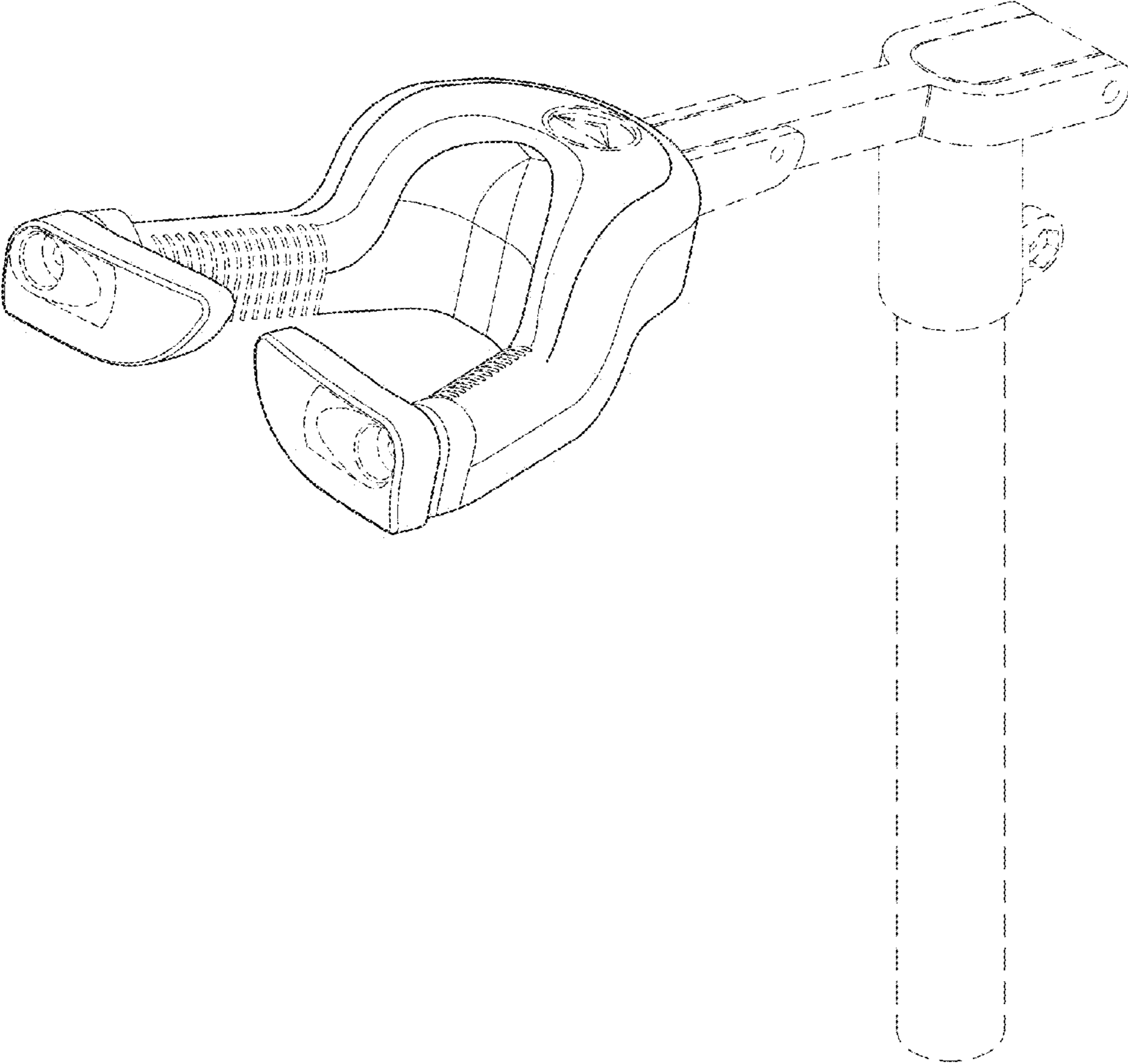


FIG.7