



US00D748936S

(12) **United States Design Patent**
Kanrilak

(10) **Patent No.:** **US D748,936 S**
(45) **Date of Patent:** **** Feb. 9, 2016**

- (54) **MIRROR HOLDER**
- (71) Applicant: **Alexie H. Kanrilak**, Chevak, AK (US)
- (72) Inventor: **Alexie H. Kanrilak**, Chevak, AK (US)
- (**) Term: **14 Years**
- (21) Appl. No.: **29/474,088**
- (22) Filed: **May 27, 2014**
- (51) **LOC (10) Cl.** **10-04**
- (52) **U.S. Cl.**
USPC **D6/681**
- (58) **Field of Classification Search**
USPC D6/681, 681.1, 681.2, 681.3, 672, 300,
D6/301, 302, 309, 310, 312, 708.23,
D6/708.25; D28/64.1, 73; 248/346.01,
248/346.06, 346.07, 346.03, 176.1, 441.1
CPC A47F 7/00; A47F 7/02; A45D 42/00;
A45D 42/08; A45D 42/16; A45D 42/24;
F16M 11/24; F16M 11/245; F16M 11/247
See application file for complete search history.

7,341,356	B1 *	3/2008	Zadro	A45D 42/16 248/474
7,712,719	B2	5/2010	Derry et al.		
D625,528	S *	10/2010	Sprague	D6/681
D643,230	S *	8/2011	Hepeng	D6/708.25
8,020,818	B2	9/2011	Chou et al.		
D646,501	S *	10/2011	Hepeng	D6/681.1
D691,839	S *	10/2013	Dallenbach	D6/681.1
D701,050	S *	3/2014	Yang	D6/309
D734,967	S *	7/2015	Lundy	D6/681
D736,001	S *	8/2015	Yang	D6/309
2007/0075208	A1	4/2007	Chen		
2009/0050773	A1 *	2/2009	McCarty	A47B 19/00 248/441.1
2012/0228441	A1 *	9/2012	Ceron	F16M 11/24 248/125.7

* cited by examiner

Primary Examiner — Eric Goodman
Assistant Examiner — Clese Moore, Jr.
(74) *Attorney, Agent, or Firm* — Paul R. Martin

(57) **CLAIM**
The ornamental design for a mirror holder, as shown and described.

(56) **References Cited**

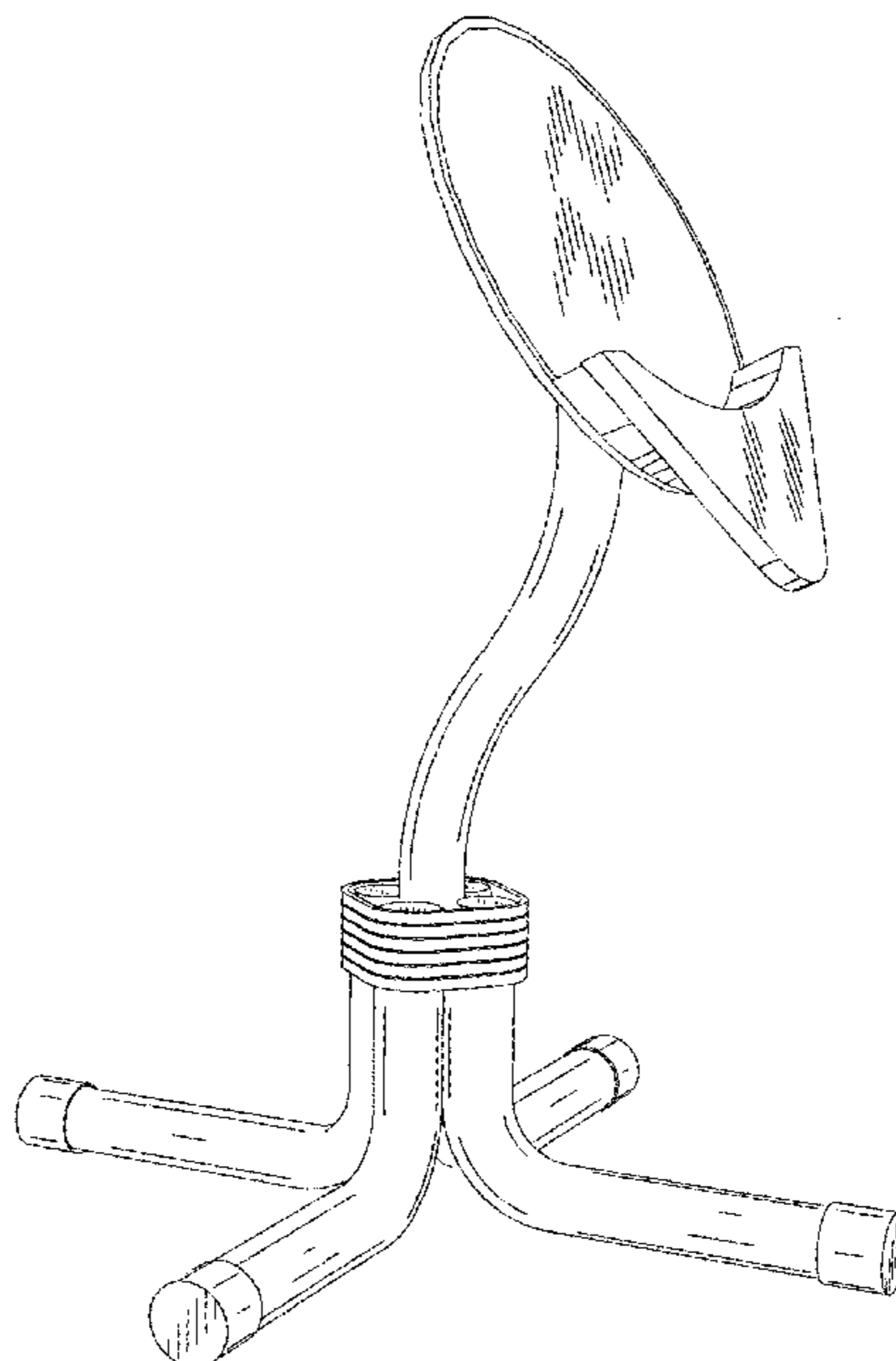
U.S. PATENT DOCUMENTS

4,936,466	A *	6/1990	Nava	A47F 7/02 206/566
D356,913	S *	4/1995	Walsh	D6/708.23
D409,003	S *	5/1999	Scavini	D6/300
D435,365	S *	12/2000	Eason	D16/244
D469,278	S *	1/2003	Lippert	D17/13
D492,517	S *	7/2004	Risdon	D6/708.23
D496,182	S *	9/2004	Vieira	D6/681
D538,109	S *	3/2007	Goodman	D7/601
D549,015	S *	8/2007	Petrick	D6/681

DESCRIPTION

FIG. 1 is perspective view of the mirror holder of my new design.
FIG. 2 is a left side elevational view thereof.
FIG. 3 is a right side elevational view thereof.
FIG. 4 is a front elevational view thereof.
FIG. 5 is a rear elevational view thereof.
FIG. 6 is a top plan view thereof; and,
FIG. 7 is a bottom plan view thereof.

1 Claim, 4 Drawing Sheets



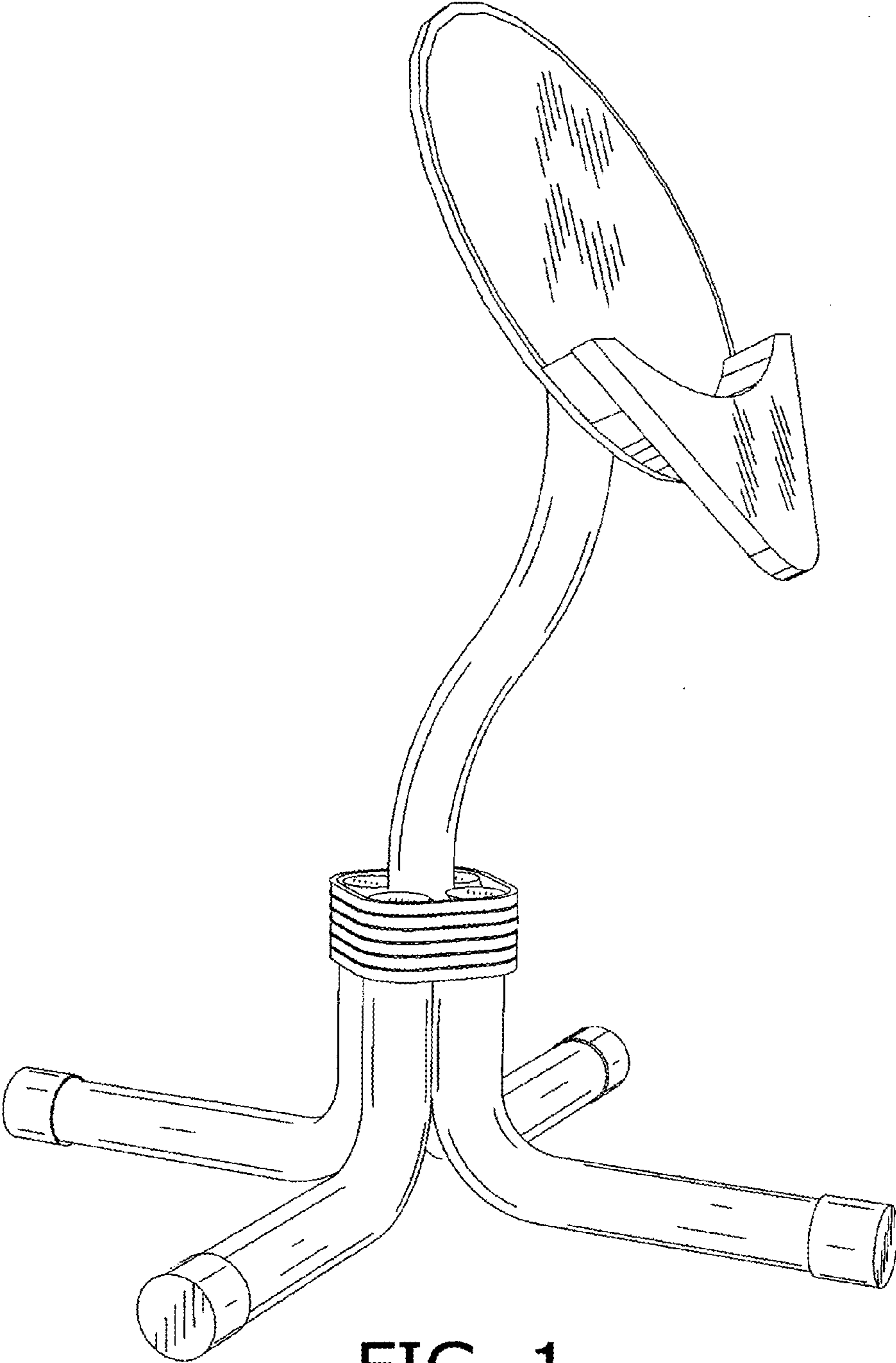


FIG. 1

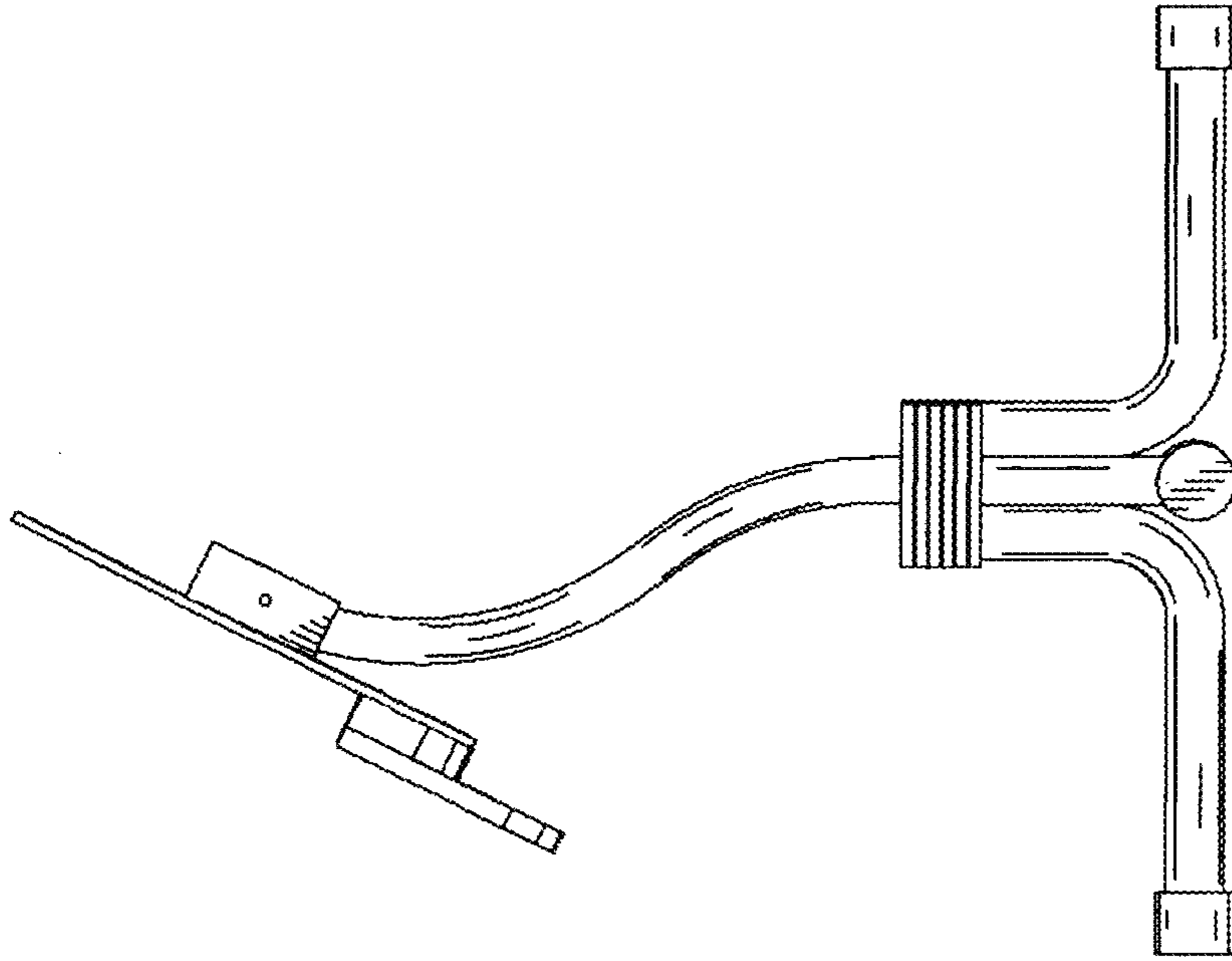


FIG. 3

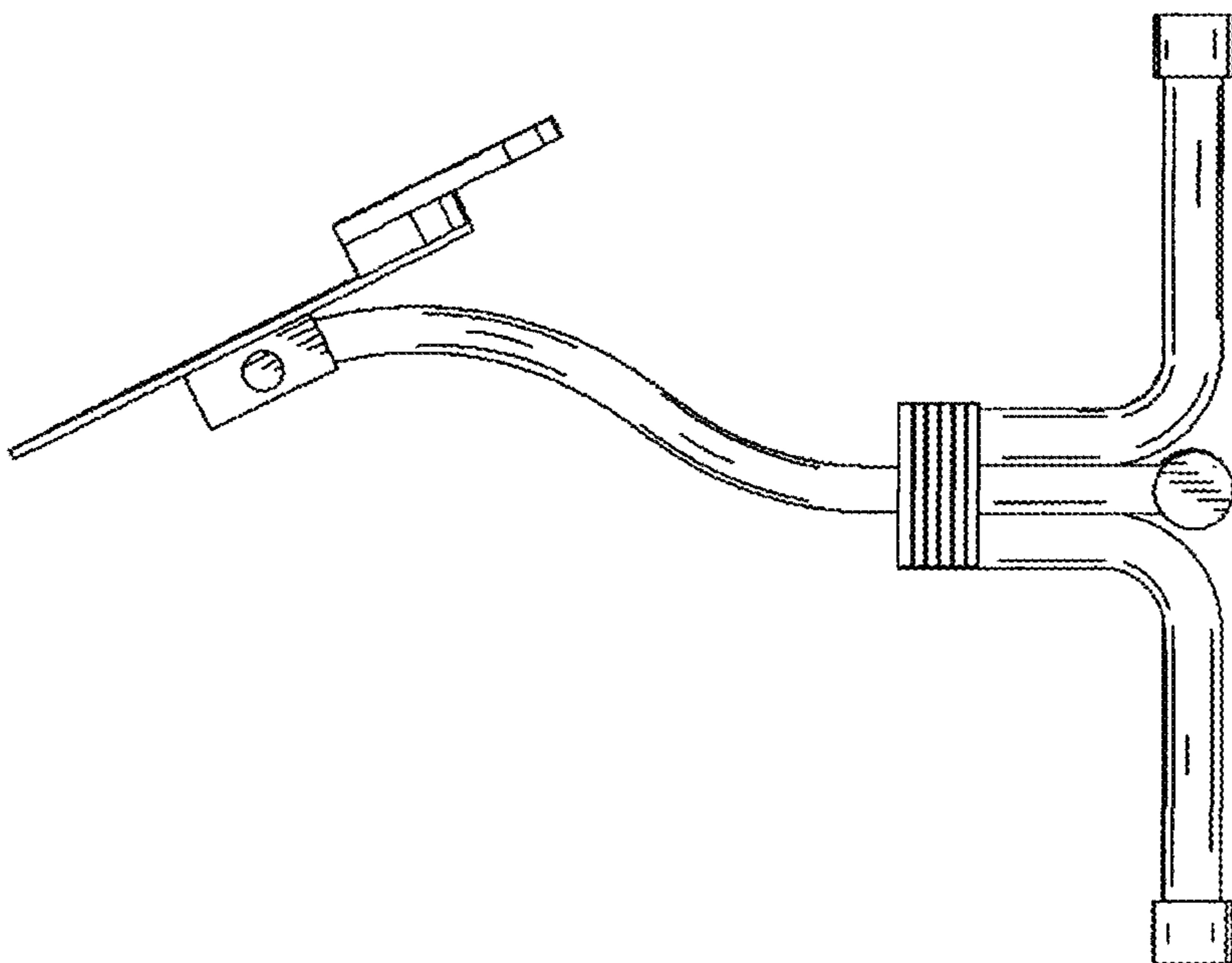


FIG. 2

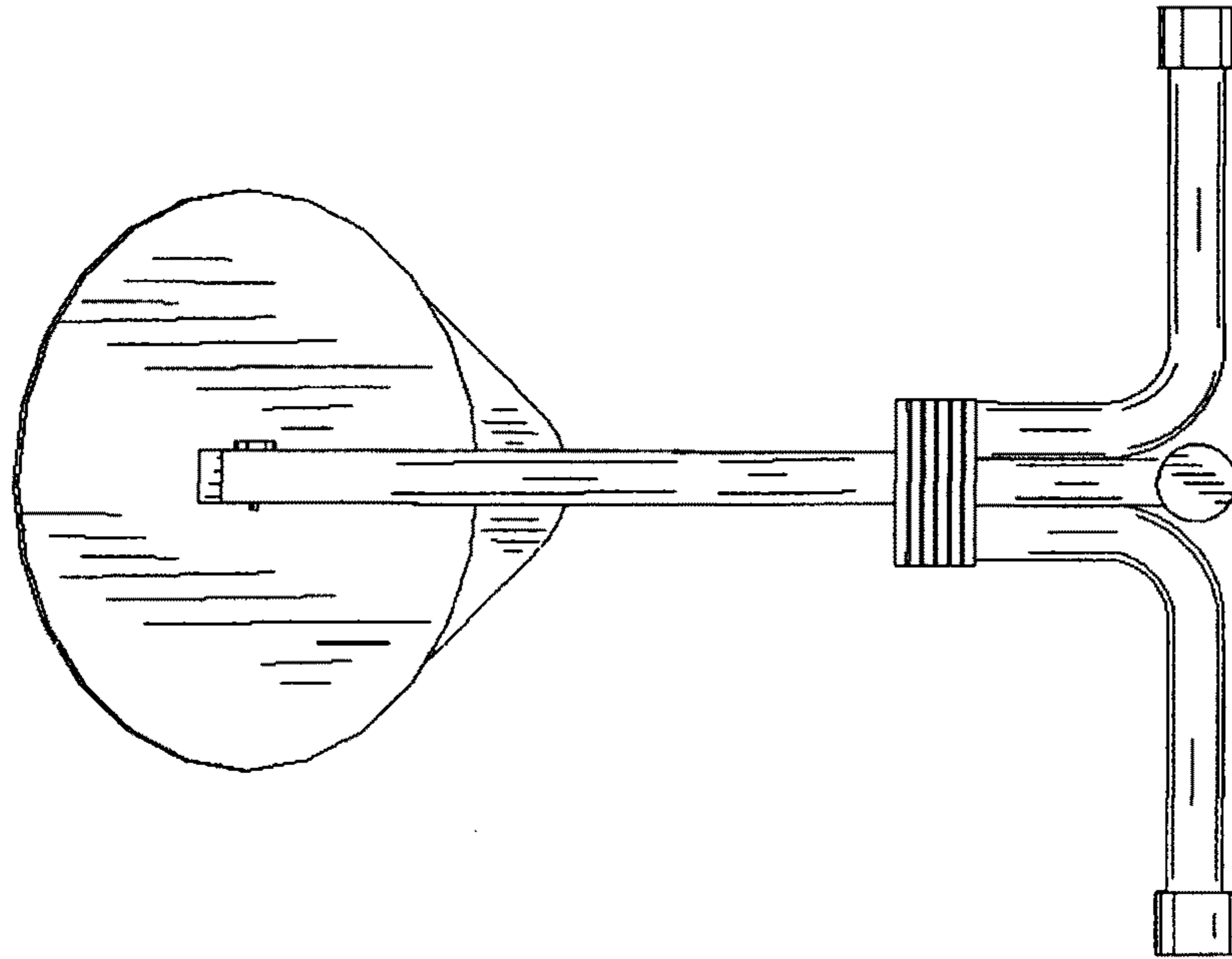


FIG. 5

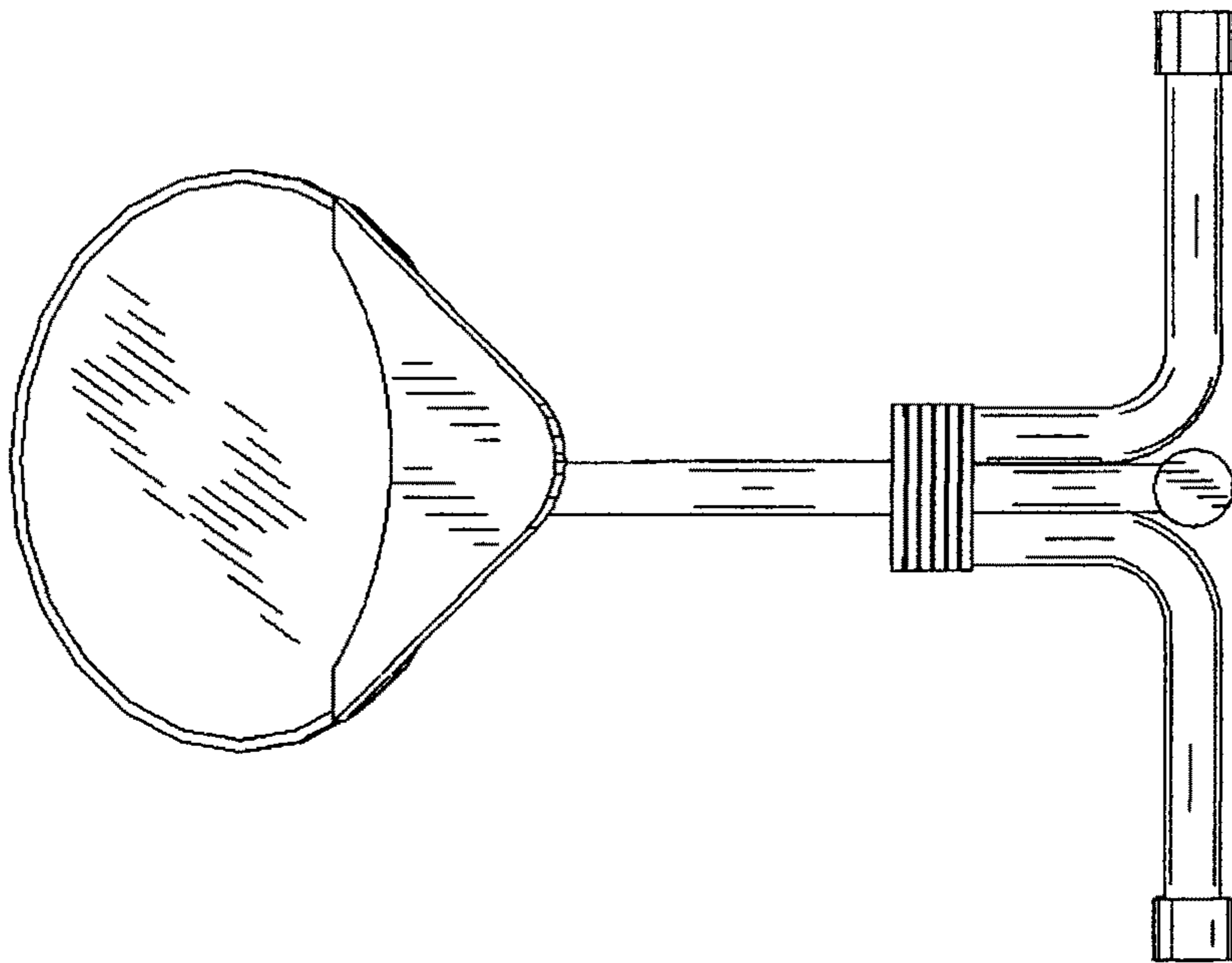


FIG. 4

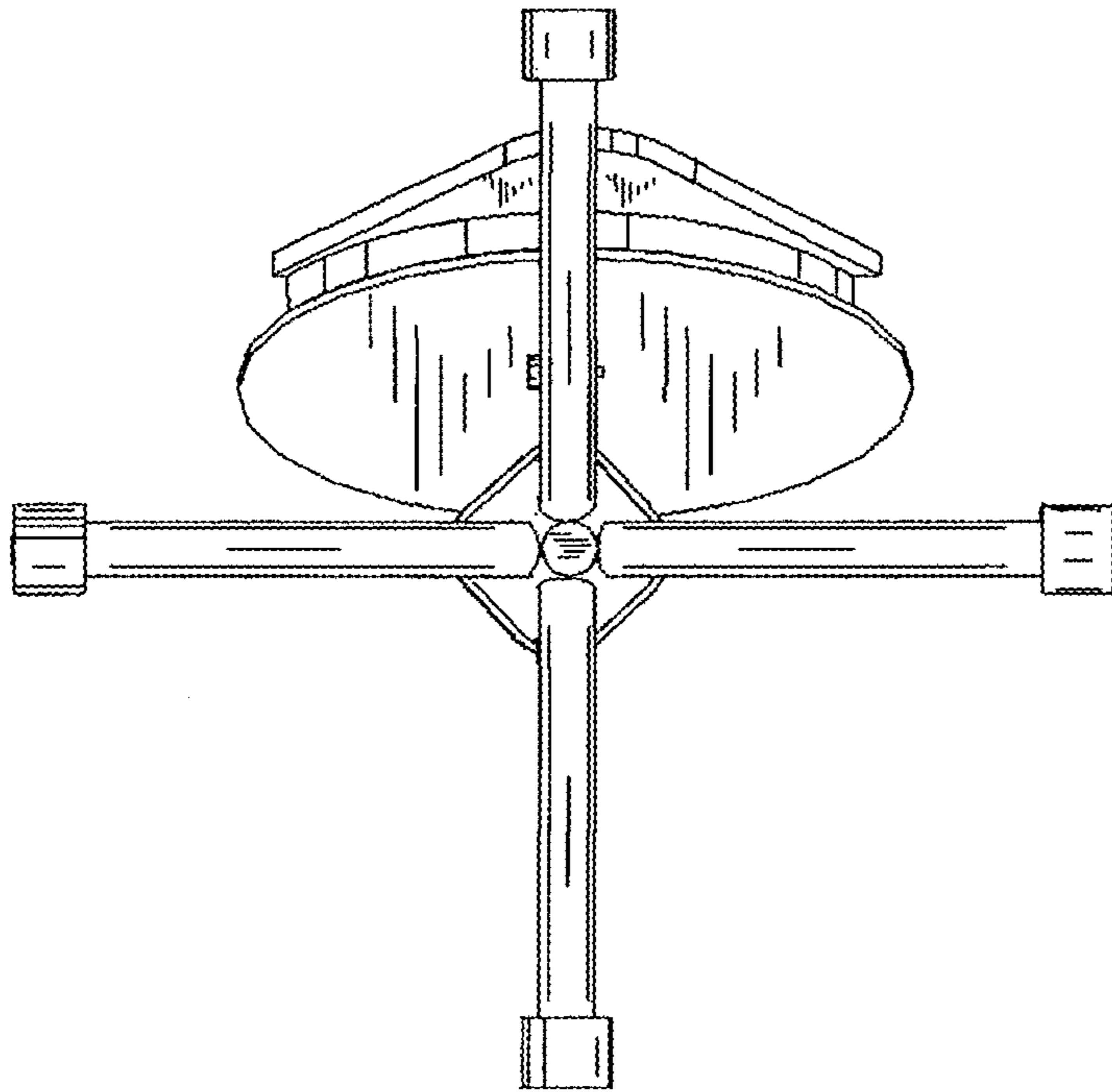


FIG. 7

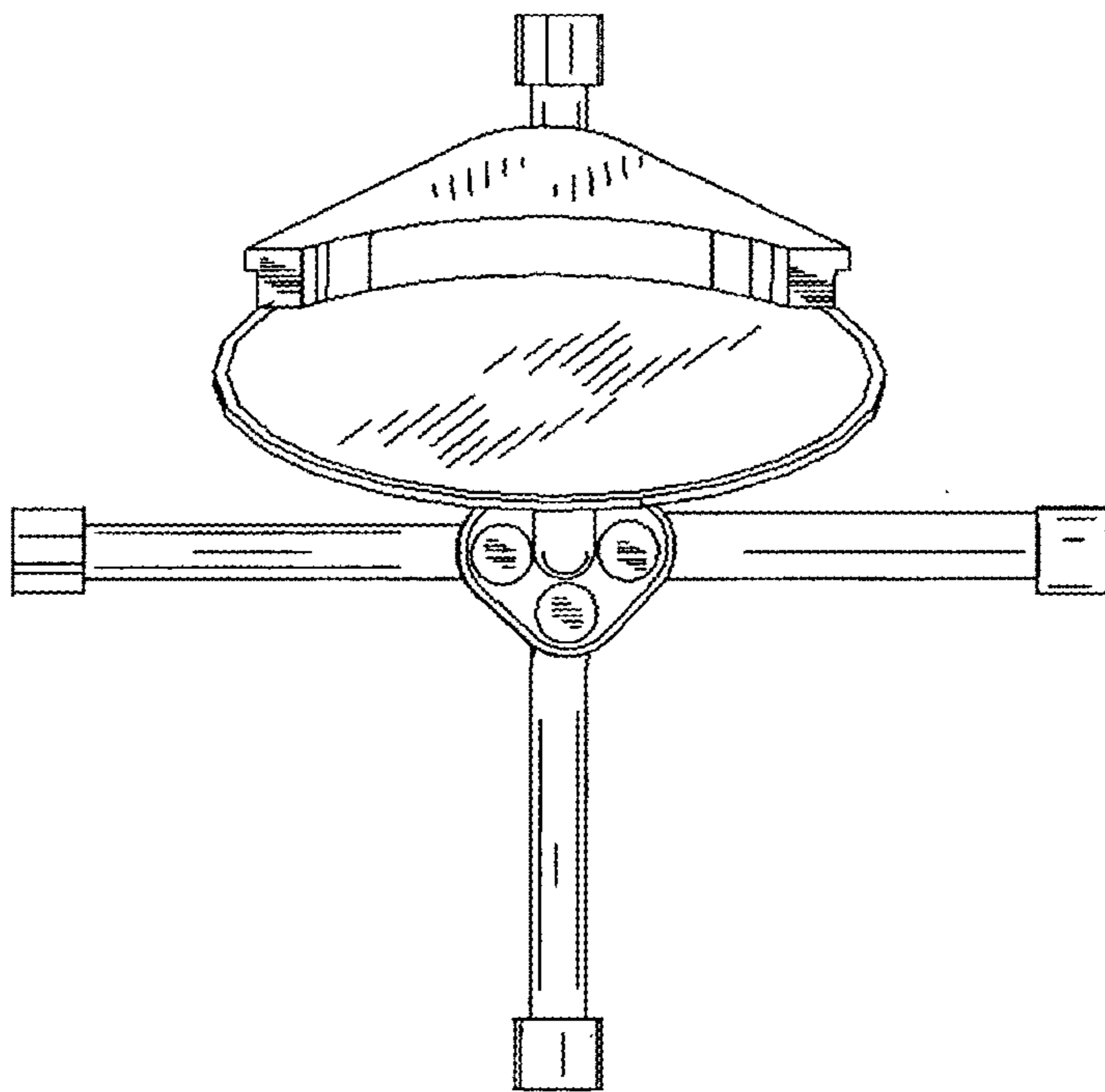


FIG. 6