



US00D748935S

(12) **United States Design Patent**
Jiang et al.

(10) **Patent No.:** **US D748,935 S**
(45) **Date of Patent:** **** Feb. 9, 2016**

(54) **MULTI-MEDIA DEVICE STAND**

(71) Applicants: **Wayne Jiang**, Happy Valley, OR (US);
Brian Jiang, Happy Valley, OR (US)

(72) Inventors: **Wayne Jiang**, Happy Valley, OR (US);
Brian Jiang, Happy Valley, OR (US)

(**) Term: **14 Years**

(21) Appl. No.: **29/467,251**

(22) Filed: **Sep. 17, 2013**

(51) **LOC (10) Cl.** **06-07**

(52) **U.S. Cl.**
USPC **D6/681**; D14/235; D14/447

(58) **Field of Classification Search**
USPC D6/310, 407, 672, 681; D8/300, 306,
D8/307, 325, 336, 355, 382, 394; D10/74,
D10/106.92; D13/107, 108; D14/130, 140,
D14/140.2, 140.3, 140.5, 140.6, 140.8,
D14/140.9, 203.1, 203.4, 203.5, 217, 225,
D14/238, 240, 251, 253, 302, 375, 447;
D16/45, 46, 136, 240, 244, 245;
D17/9, 60, 83, 84, 99; D26/60, 61, 62,
D26/63, 93, 106; 248/168, 169, 170, 171;
224/420

See application file for complete search history.

(56) **References Cited**

U.S. PATENT DOCUMENTS

D618,692	S	*	6/2010	Deutsch et al.	D14/447
D634,315	S	*	3/2011	Nousiainen	D14/253
D712,905	S	*	9/2014	Miyazaki et al.	D14/447
2014/0061270	A1	*	3/2014	Richter	224/420
2014/0138419	A1	*	5/2014	Minn et al.	224/567

OTHER PUBLICATIONS

Adjustable Universal Bracket Adapter Mount Holder for Tripod iPhone 5 5S 4 4S, announced, [Oct. 5, 2014], [site visited Oct. 5, 2014]. Available from Internet, <URL: http://www.ebay.com/itm/Adjustable/Universal-Bracket-Adapter-Mount-Holder-For-Tripod-iPhone-5-5S-4-4S_/251578609063?pt=US_Mounts_Holders&hash=item3a9340eda7>.*

Universal Cell Phone Mini Stand Holder, Black Version 2, announced, [Mar. 30, 2012], [site visited Oct. 7, 2014]. Available from Internet, <URL: http://www.amazon.com/eForCity%C2%AE-Compatible-iPhone%C2%AE-Universal-Version/dp/B0086TY96S/ref=sr_1_4?s=wireless&ie=UTF8&qid=1412700396&sr=1-4&keywords=Cell+phone+stands>.*

* cited by examiner

Primary Examiner — Thomas Johannes
Assistant Examiner — Catherine Posthauer

(57) **CLAIM**

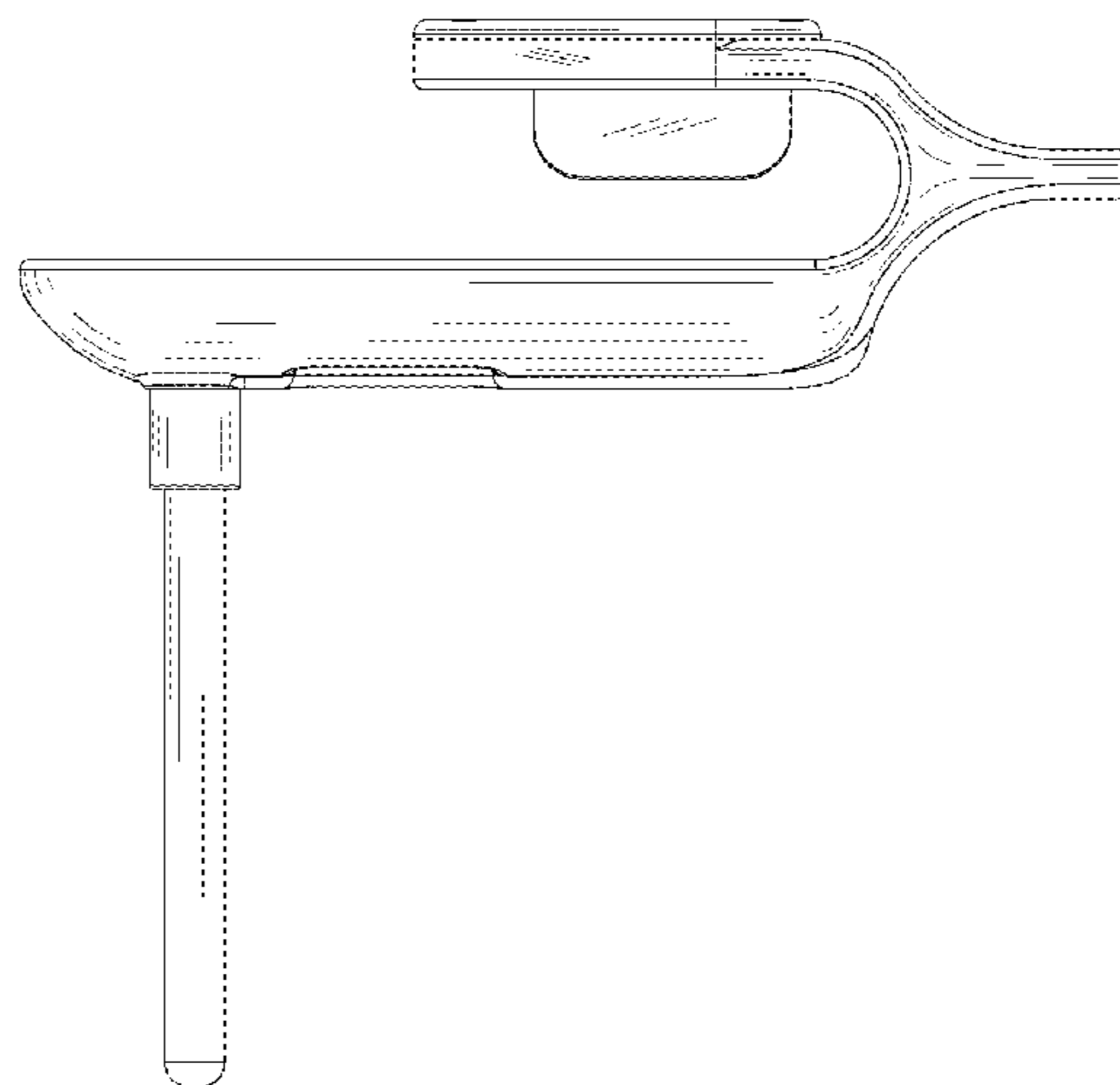
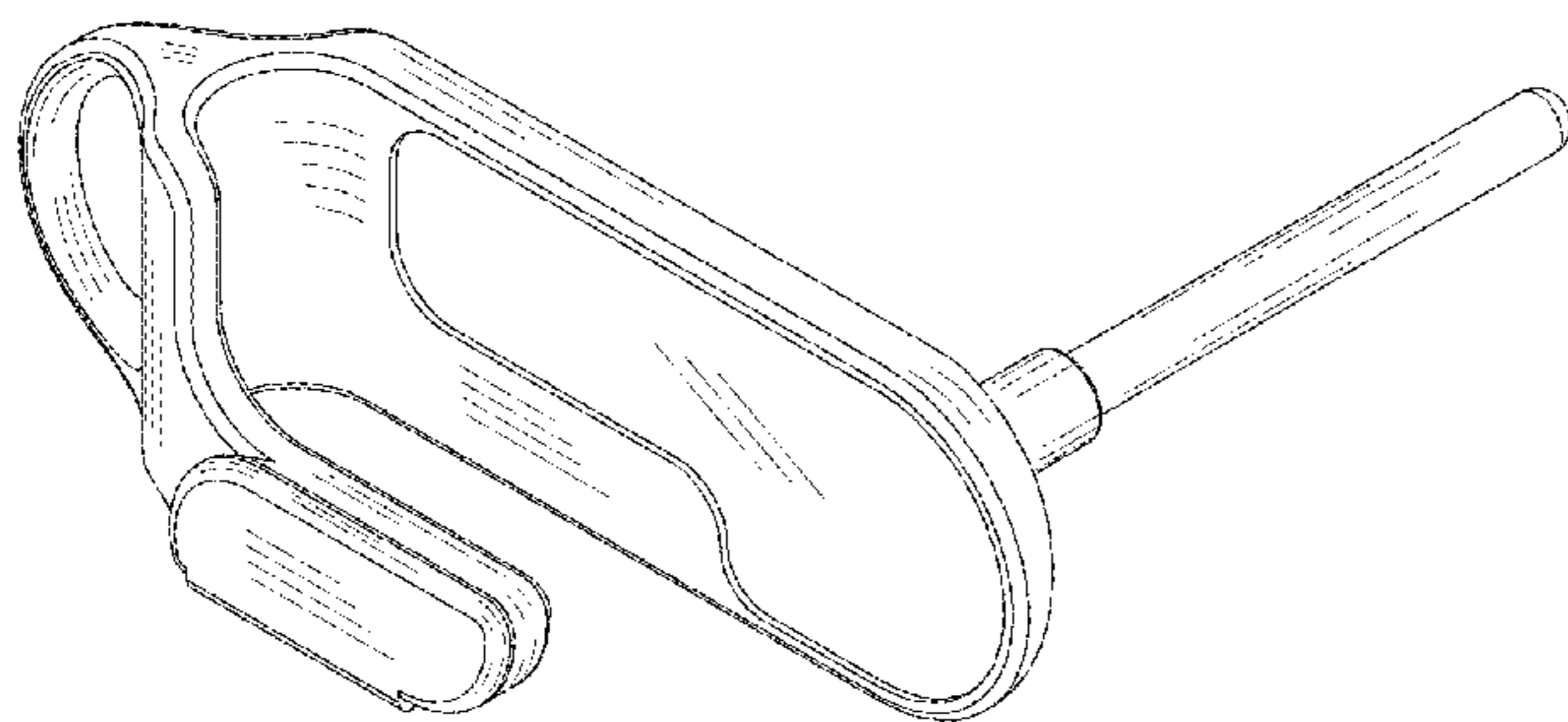
We claim the ornamental design for the multi-media device stand, as shown and described.

DESCRIPTION

FIG. 1 is a perspective view of the multi-media device stand showing our new design;
FIG. 2 is a front view of the multi-media device stand;
FIG. 3 is a bottom view of the multi-media device stand;
FIG. 4 is a right-side view of the multi-media device stand;
FIG. 5 is a left-side view of the multi-media device stand;
FIG. 6 is a rear view of the multi-media device stand; and,
FIG. 7 is a top view of the multi-media device stand.

The broken lines are shown for the purpose of illustrating portions of the multi-media device stand that form no part of the claimed design.

1 Claim, 4 Drawing Sheets



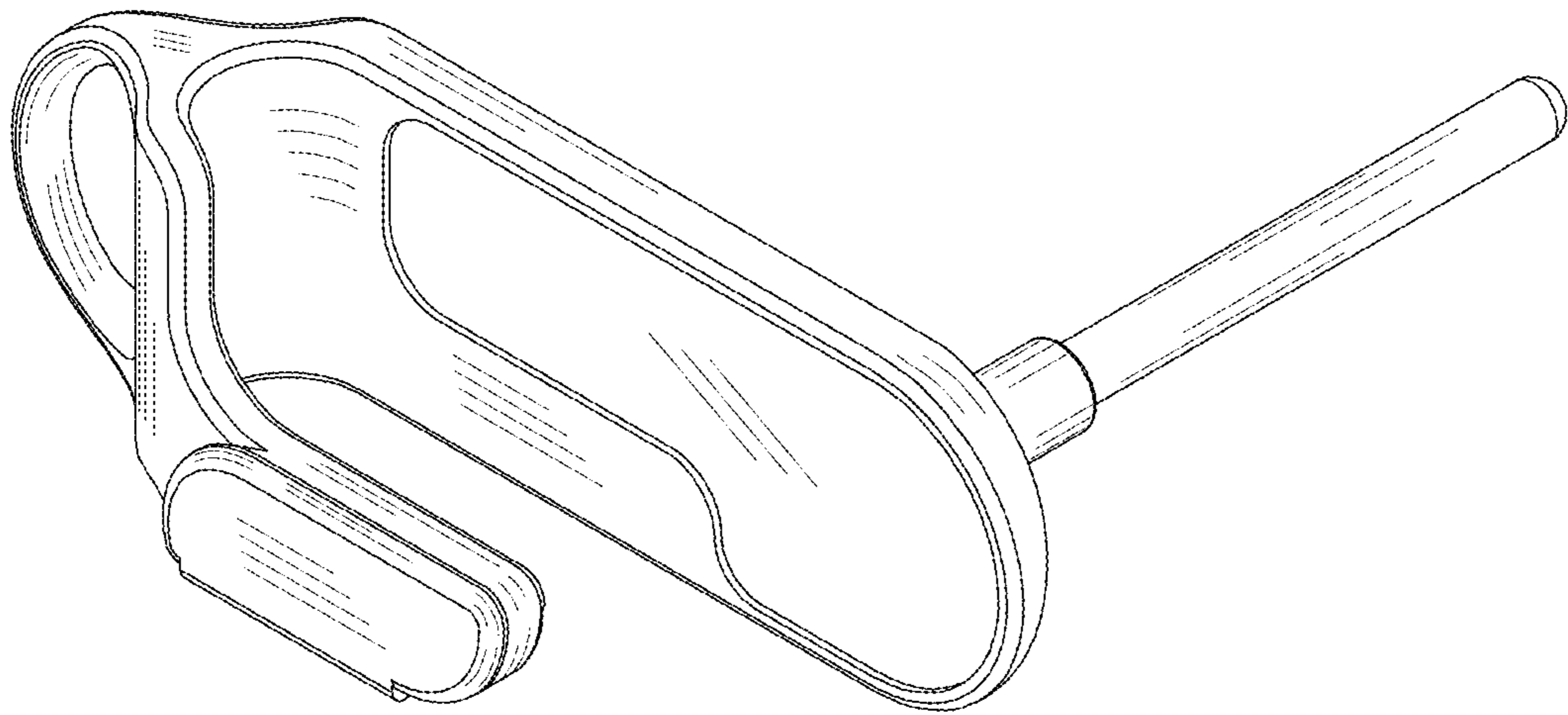


FIG. 1

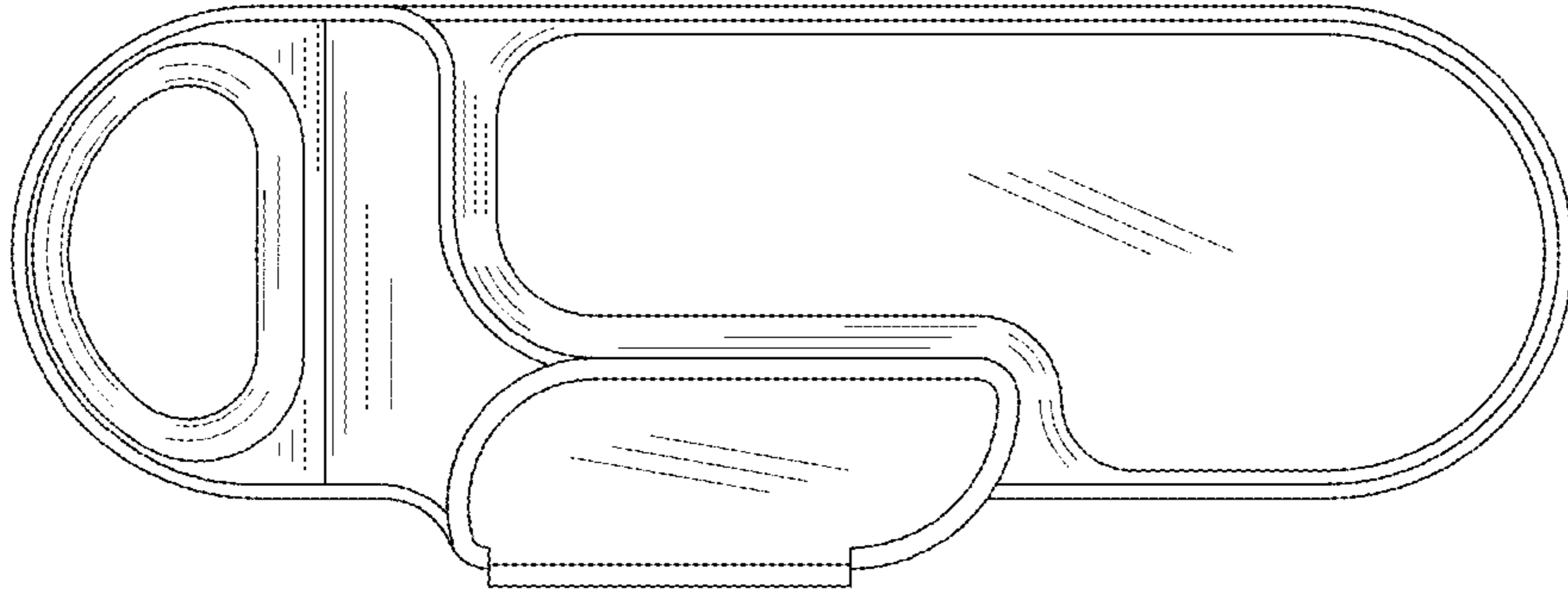


FIG. 2

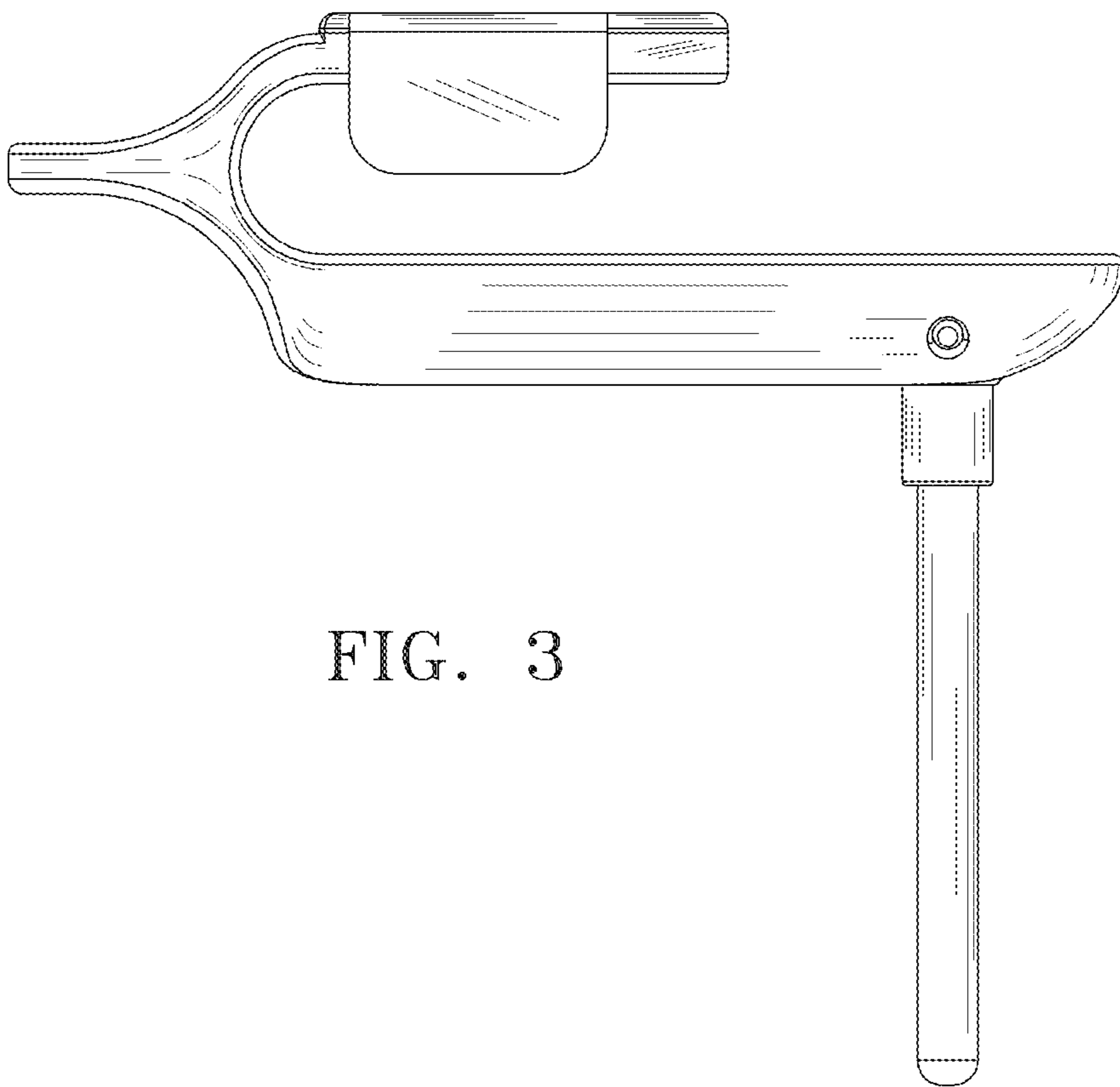


FIG. 3

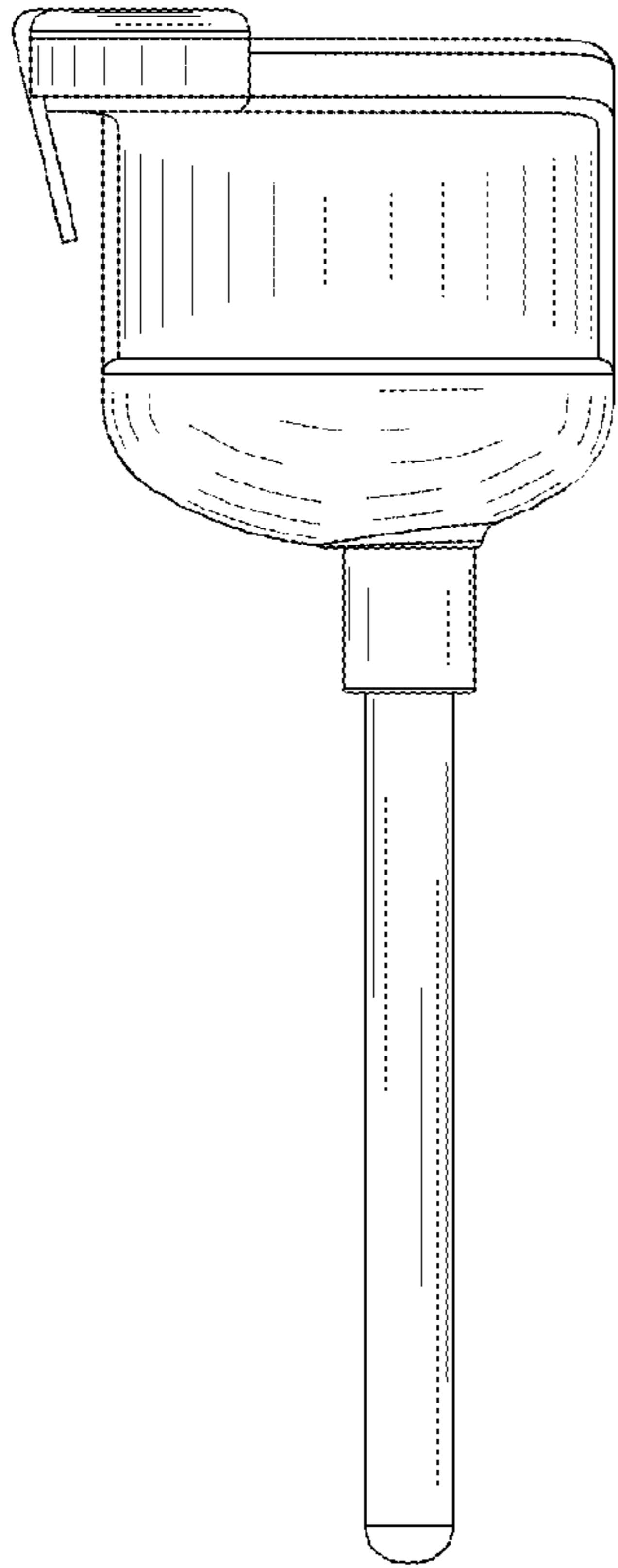


FIG. 4

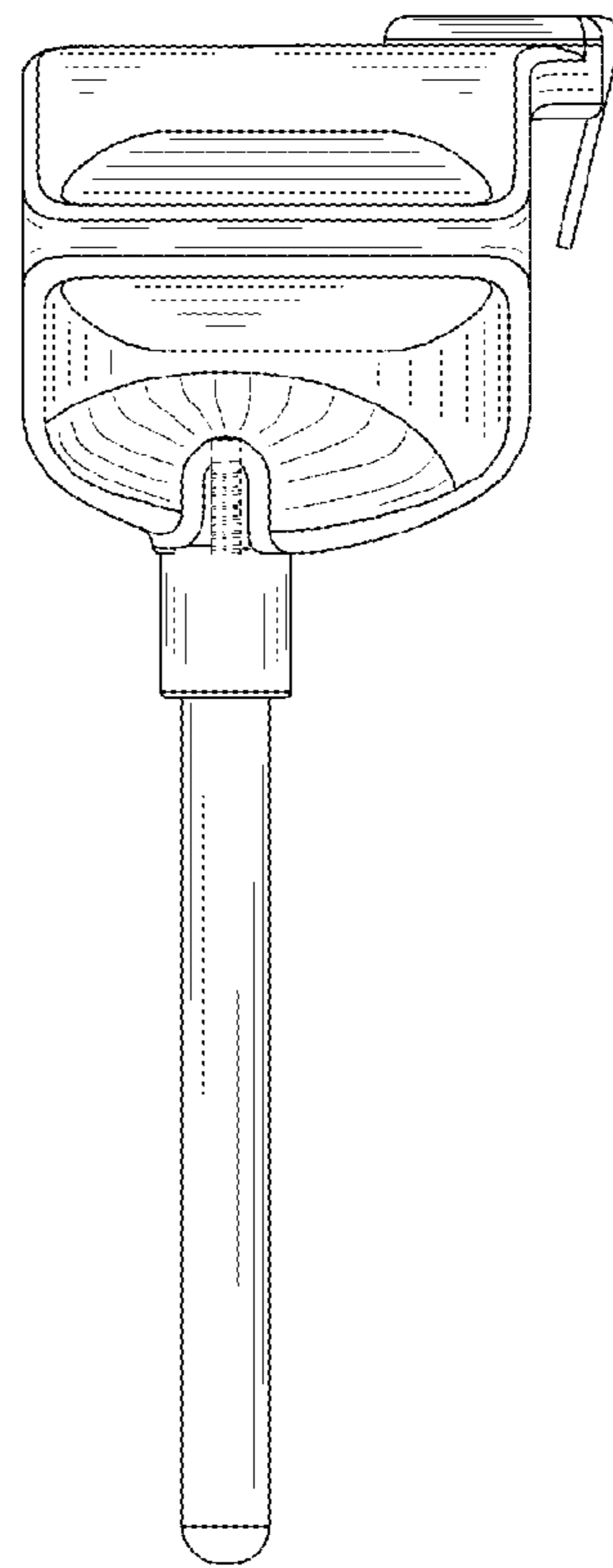


FIG. 5

FIG. 6

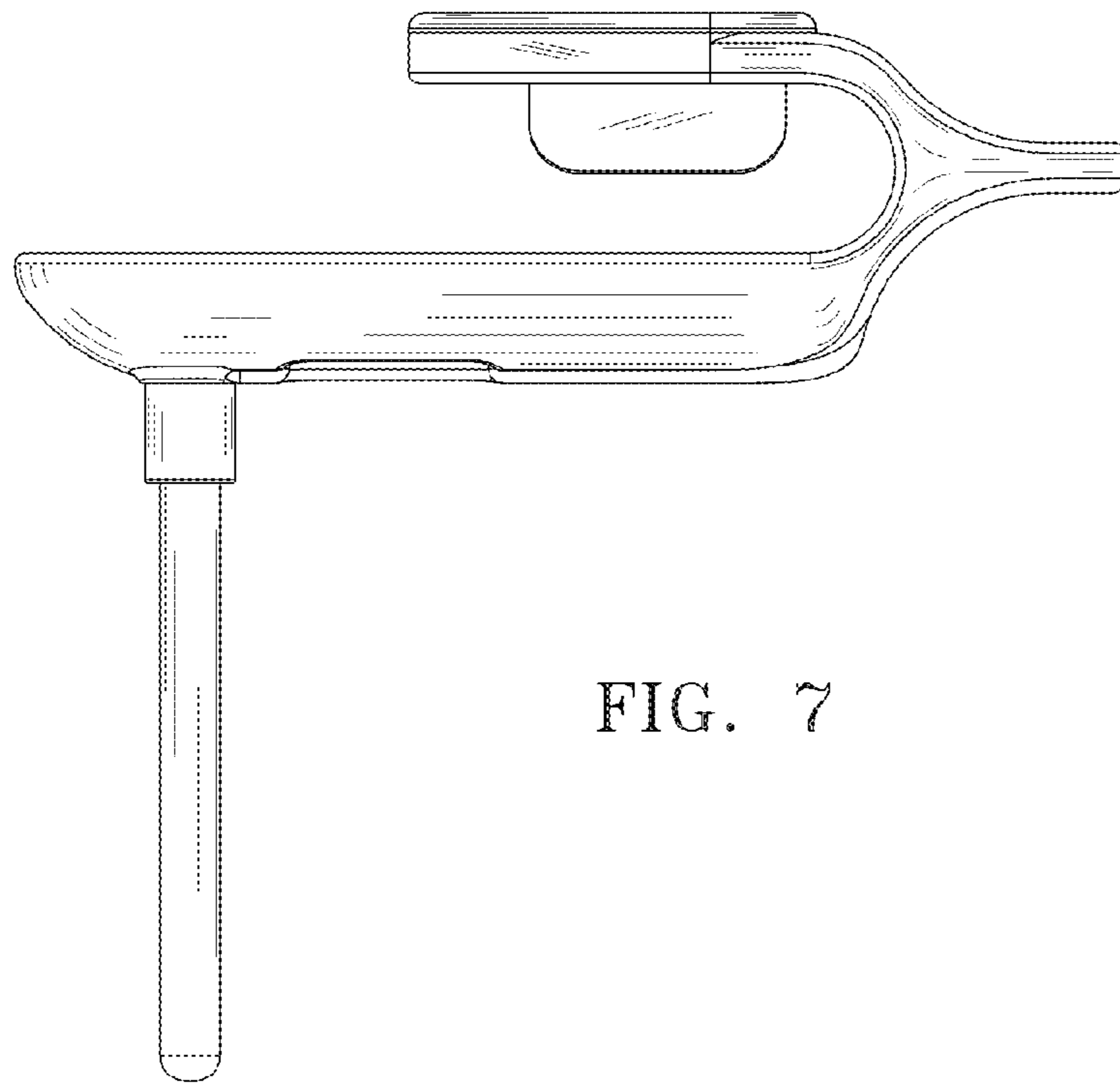
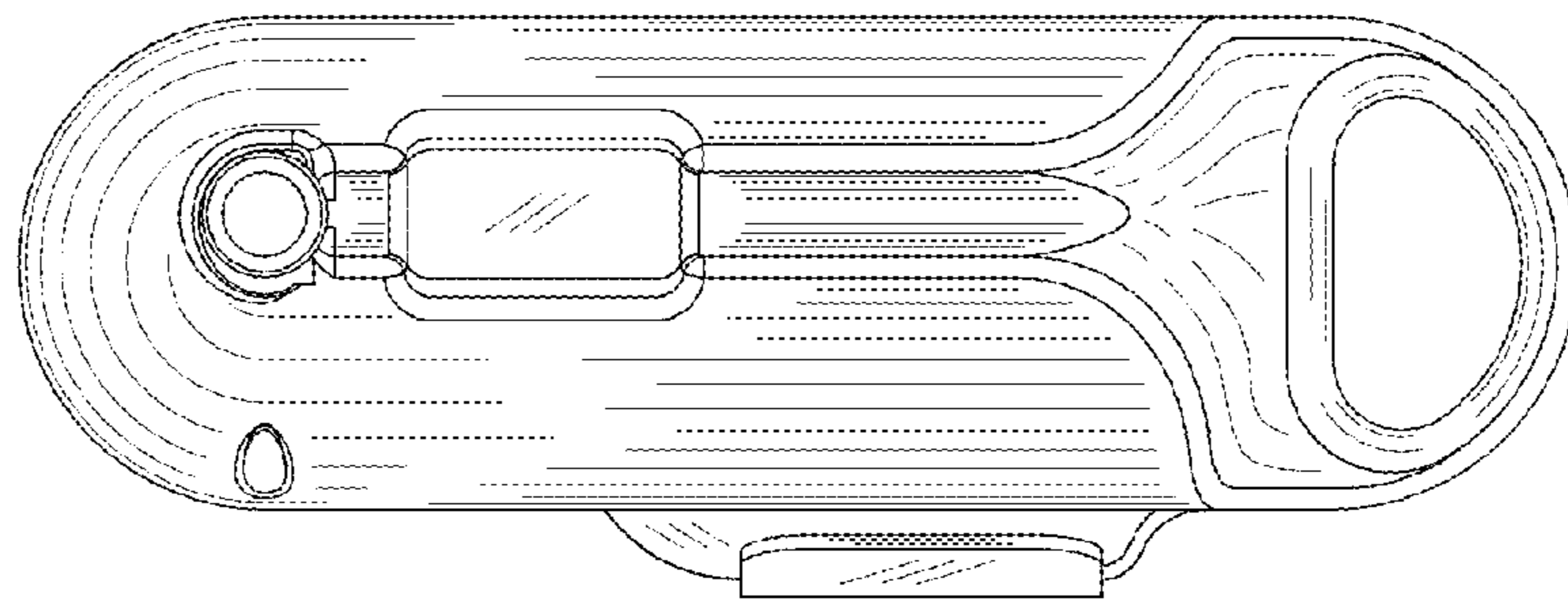


FIG. 7