



US00D748933S

(12) **United States Design Patent**
Wood et al.

(10) **Patent No.:** **US D748,933 S**

(45) **Date of Patent:** **** Feb. 9, 2016**

(54) **WIND RESISTANT TABLE CLOTH**

D691,143 S * 10/2013 Diebel D14/440
D699,054 S * 2/2014 Forlin D6/610
D738,138 S * 9/2015 Jackson D6/610

(71) Applicants: **Eric P. Wood**, Farmington, UT (US);
Paul S. Wood, Farmington, UT (US)

* cited by examiner

(72) Inventors: **Eric P. Wood**, Farmington, UT (US);
Paul S. Wood, Farmington, UT (US)

Primary Examiner — Katrina A Betton

(74) *Attorney, Agent, or Firm* — Paul R. Martin

(**) Term: **14 Years**

(57) **CLAIM**

(21) Appl. No.: **29/474,560**

The ornamental design for wind resistant table cloth, as shown and described.

(22) Filed: **Oct. 27, 2014**

DESCRIPTION

(51) **LOC (10) Cl.** **06-13**

(52) **U.S. Cl.**

USPC **D6/610**

(58) **Field of Classification Search**

USPC D6/610, 611, 596, 601, 602, 603, 615,
D6/617, 621; D7/332, 334-337;
D12/401-405

CPC B62J 19/00; B62J 1/18; B62J 1/20;
B62J 1/22; B62J 1/24; B62J 1/26; B62J 1/28

See application file for complete search history.

FIG. 1 is a perspective view of the table cloth of our new design, showing it being positioned on a conventional picnic table and covering the top surface thereof.

FIG. 2. Is a top plan view thereof.

FIG. 3 is an elevational view of the front side or edge thereof. The elevational view of the rear edge is a mirror image thereof.

FIG. 4 is an elevational view of one side thereof. The opposite side elevational view is a mirror image thereof.

FIG. 5 is a bottom plan view thereof; and,

FIG. 6 is an enlarged elevational view of the front edge thereof. The elevational view of the rear edge is a mirror image thereof.

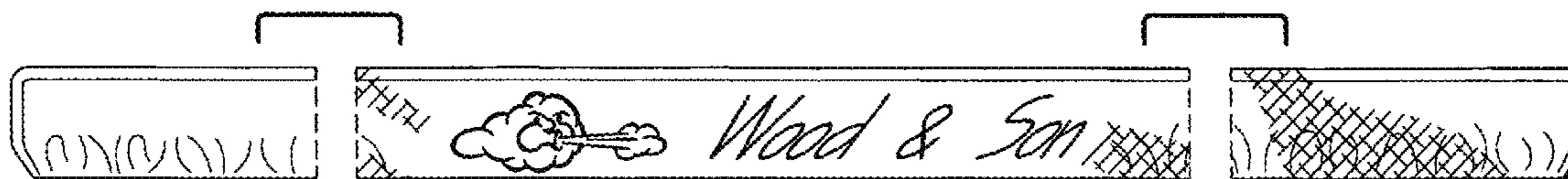
The breaks in the drawing figures indicate no specific length. The broken line figure in FIG. 1, showing portions of a picnic table, represent an environmental element, and forms no part of our new design.

(56) **References Cited**

U.S. PATENT DOCUMENTS

D411,162 S * 6/1999 Richter D12/401
D417,117 S * 11/1999 Gerk D6/582
D423,271 S * 4/2000 Brock D6/610
6,381,812 B1 5/2002 Crider et al.
D515,746 S * 2/2006 Sequino D30/119
D674,646 S * 1/2013 Valenta D6/610
D691,142 S * 10/2013 Diebel D14/440

1 Claim, 4 Drawing Sheets



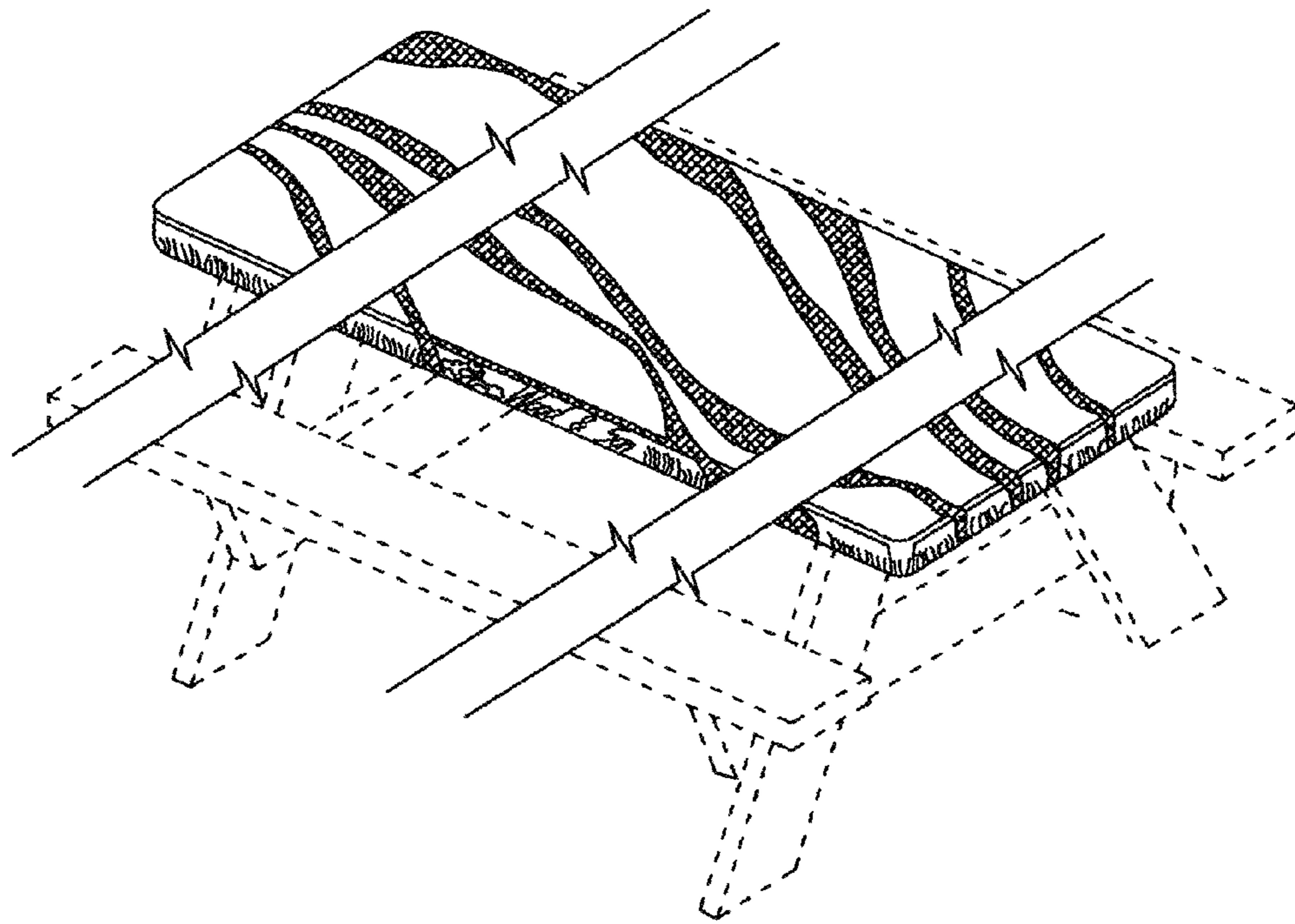


FIG. 1

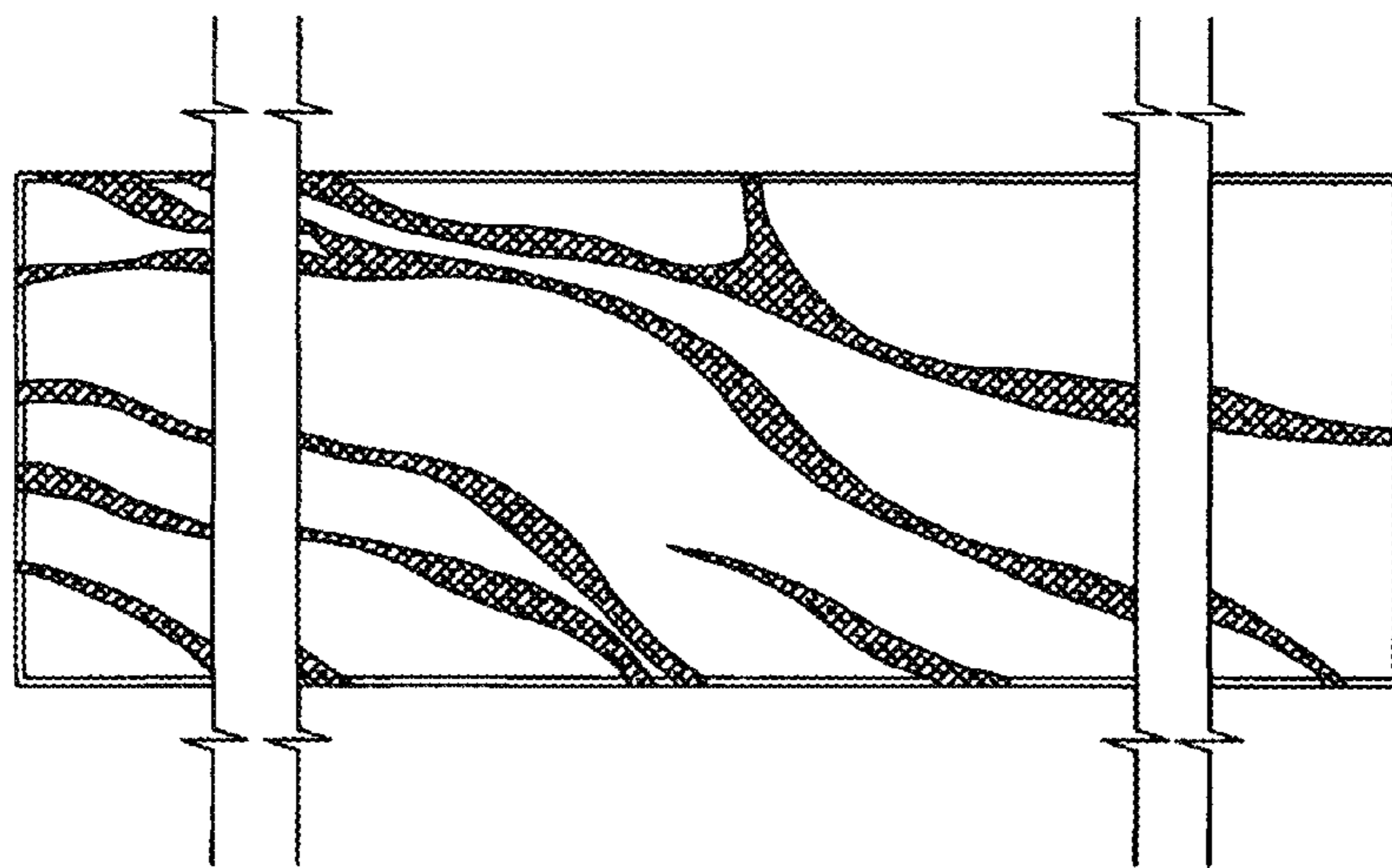


FIG. 2

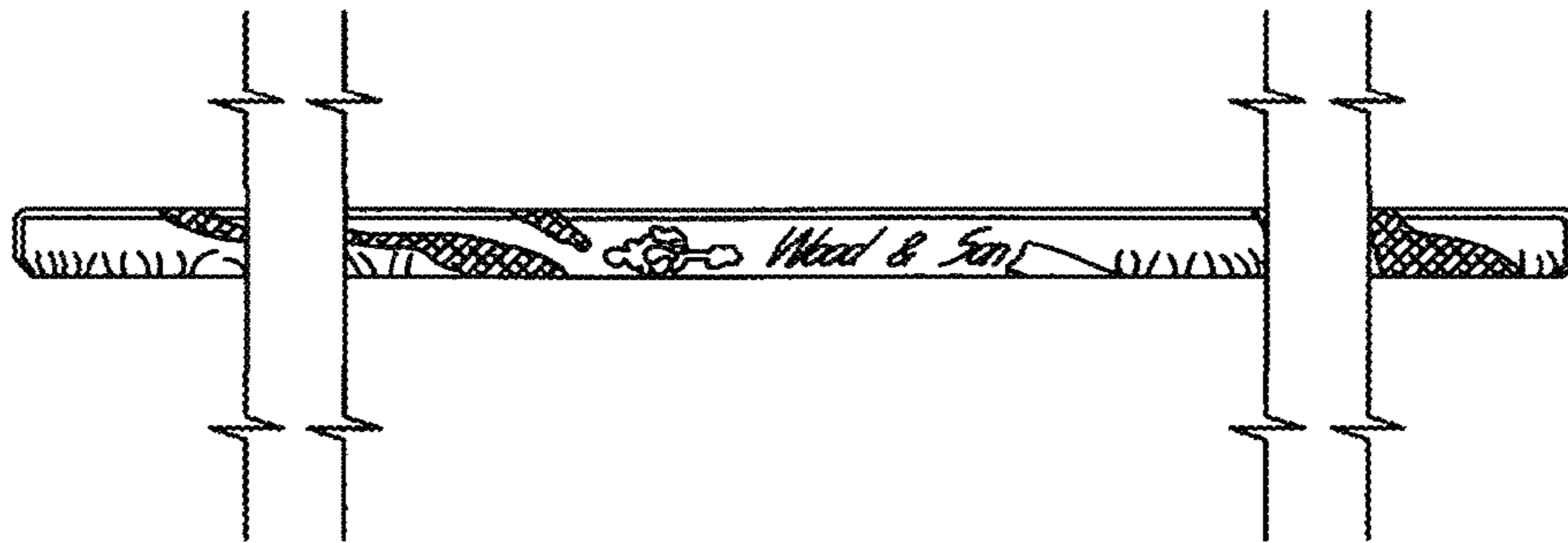


FIG. 3



FIG. 4

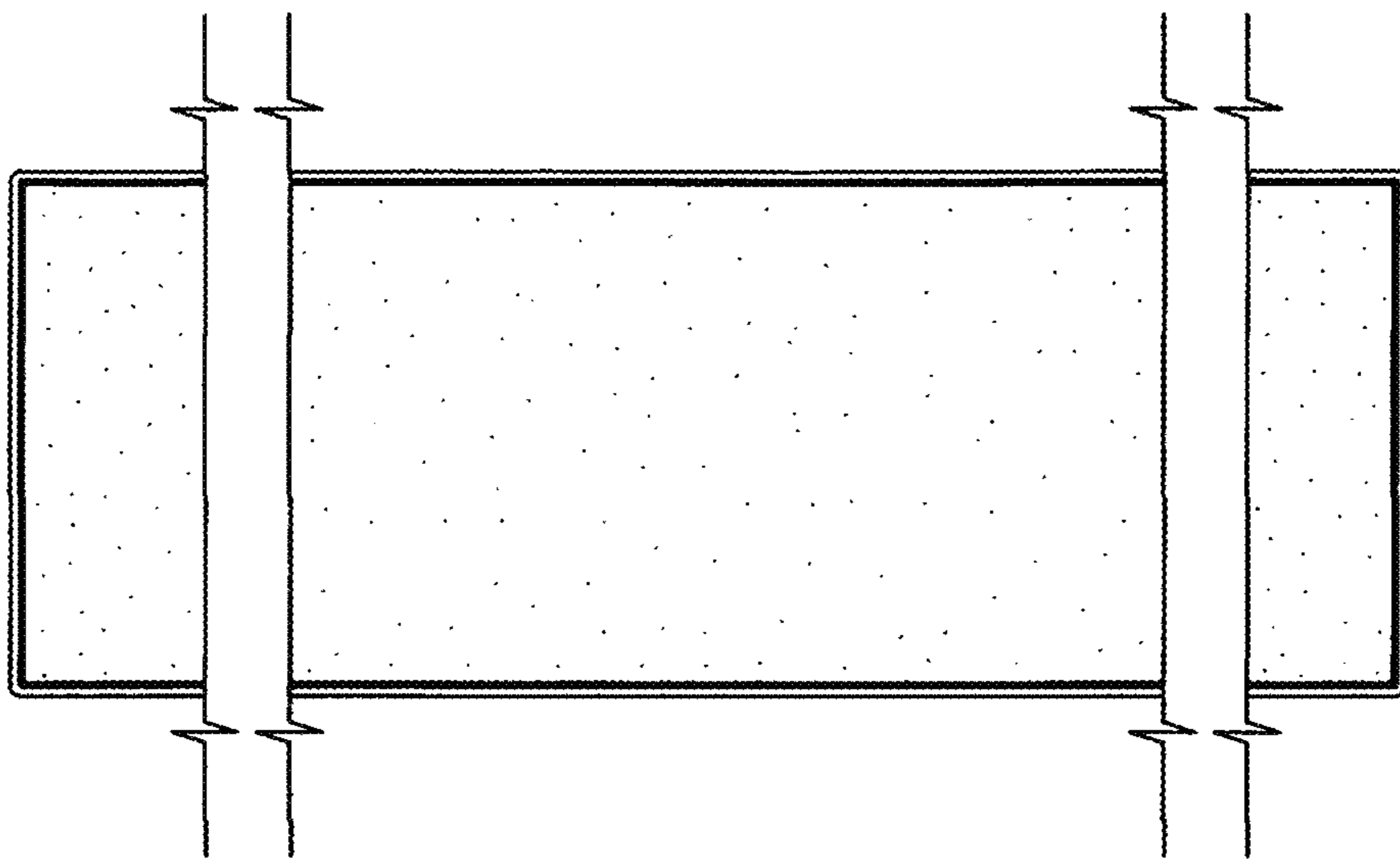


FIG. 5

