



US00D748927S

(12) **United States Design Patent**
Feichtner

(10) **Patent No.:** **US D748,927 S**
(45) **Date of Patent:** **** Feb. 9, 2016**

(54) **CHAIR**

(71) Applicant: **TON a. s.**, Bystřice pod Hostýnem (CZ)

(72) Inventor: **Thomas Feichtner**, Vienna (AT)

(73) Assignee: **TON a.s.** (CZ)

(**) Term: **14 Years**

(21) Appl. No.: **29/480,657**

(22) Filed: **Jan. 28, 2014**

(51) **LOC (10) Cl.** **06-01**

(52) **U.S. Cl.**
USPC **D6/375; D6/379**

(58) **Field of Classification Search**
USPC D6/334–336, 360–381, 388, 403, 716,
D6/716.1–716.4, 717
CPC A47B 91/06; A47C 1/124; A47C 3/023;
A47C 3/04; A47C 3/12; A47C 3/14; A47C
4/02; A47C 4/03; A47C 4/04; A47C 5/04;
A47C 5/046; A47C 5/06
See application file for complete search history.

(56) **References Cited**

U.S. PATENT DOCUMENTS

D192,029 S * 1/1962 Sam Avedon et al. ... 297/452.14
3,025,105 A * 3/1962 Nash A47B 91/06
297/2

(Continued)

Primary Examiner — Ricky Pham

(74) *Attorney, Agent, or Firm* — Fross Zelnick Lehrman &
Zissu, P.C.; Charles T. J. Weigell, Esq.

(57) **CLAIM**

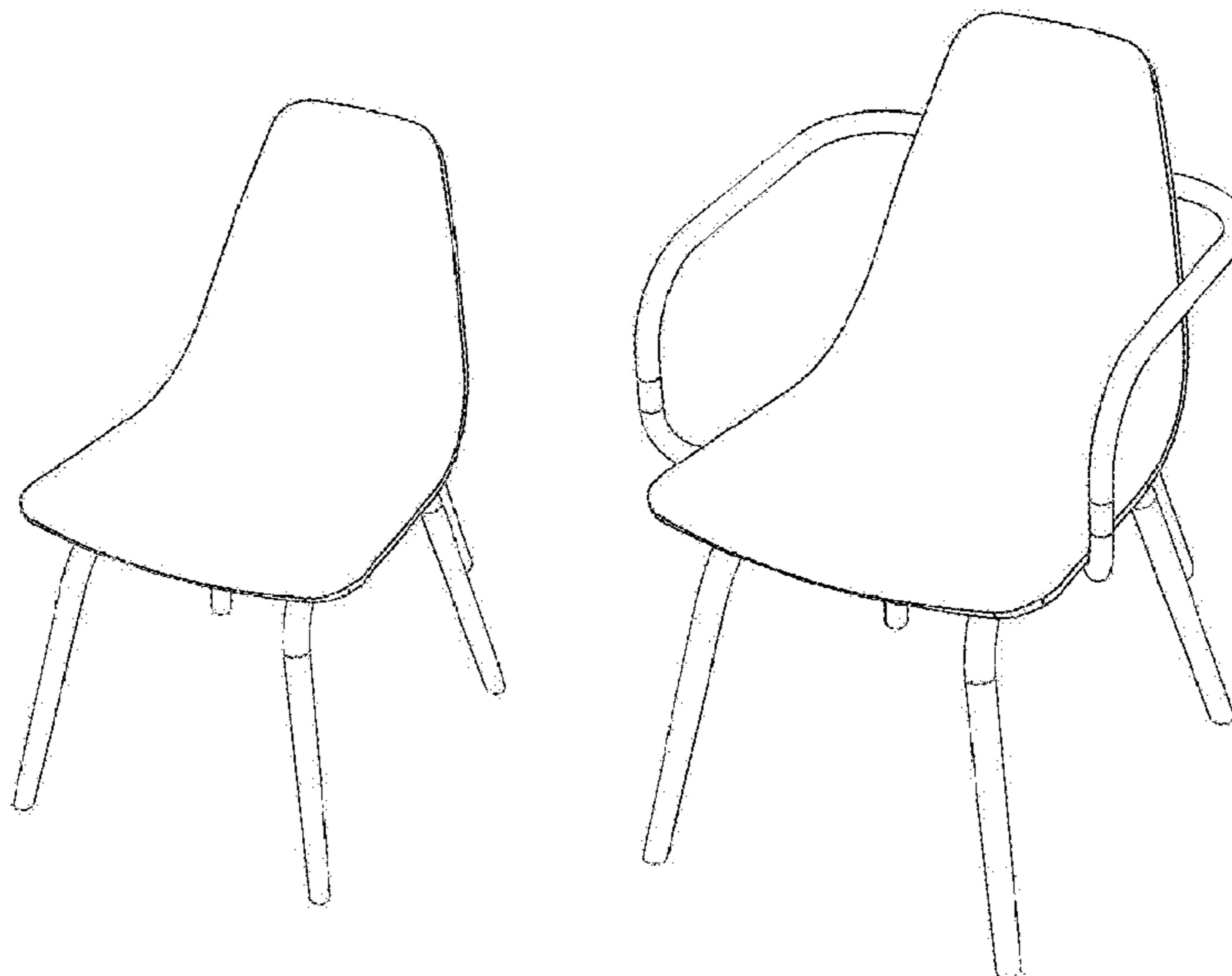
The ornamental design for a chair, as shown and described.

DESCRIPTION

FIG. 1 is a front perspective view of a chair showing my new design;

FIG. 2 is a front view of the chair shown in FIG. 1;
FIG. 3 is a back view of the chair shown in FIG. 1;
FIG. 4 is a side view of the chair shown in FIG. 1 (with the other side view being a mirror image thereof);
FIG. 5 is an enlarged top view of the chair shown in FIG. 1;
FIG. 6 is an enlarged bottom view of the chair shown in FIG. 1;
FIG. 7 is a front perspective view of an alternative embodiment of the chair shown in FIG. 1;
FIG. 8 is a front view of the chair shown in FIG. 7;
FIG. 9 is a back view of the chair shown in FIG. 7;
FIG. 10 is a side view of the chair shown in FIG. 7 (with the other side view being a mirror image thereof);
FIG. 11 is an enlarged top view of the chair shown in FIG. 7;
FIG. 12 is an enlarged bottom view of the chair shown in FIG. 7;
FIG. 13 is a front perspective view of another alternative embodiment of the chair shown in FIG. 1;
FIG. 14 is a front view of the chair shown in FIG. 13;
FIG. 15 is a back view of the chair shown in FIG. 13;
FIG. 16 is a side view of the chair shown in FIG. 13 (with the other side view being a mirror image thereof);
FIG. 17 is an enlarged top view of the chair shown in FIG. 13;
FIG. 18 is an enlarged bottom view of the chair shown in FIG. 13;
FIG. 19 is a front perspective view of another alternative embodiment of the chair shown in FIG. 1;
FIG. 20 is a front view of the chair shown in FIG. 19;
FIG. 21 is a back view of the chair shown in FIG. 19;
FIG. 22 is a side view of the chair shown in FIG. 19 (with the other side view being a mirror image thereof);
FIG. 23 is an enlarged top view of the chair shown in FIG. 19;
and,
FIG. 24 is an enlarged bottom view of the chair shown in FIG. 19.

1 Claim, 24 Drawing Sheets



(56)

References Cited

U.S. PATENT DOCUMENTS

3,084,977	A *	4/1963	Chapman	A47C 1/124 297/239	D525,056	S *	7/2006	Muller	D6/373
D236,670	S *	9/1975	Uyeda	D6/375	D526,516	S *	8/2006	Muller	D6/379
D255,185	S *	6/1980	Locher	D6/375	D549,480	S *	8/2007	Rech	D6/375
D325,305	S *	4/1992	Sottsass	D6/379	D571,118	S *	6/2008	Camp, Jr.	D6/375
D357,821	S *	5/1995	Tedesco	D6/379	D573,363	S *	7/2008	Pillet	D6/375
D449,459	S *	10/2001	Diez Mintegi	D6/374	D596,865	S *	7/2009	Bergmann	D6/369
D458,468	S *	6/2002	Levrangi	D6/376	D645,271	S *	9/2011	Olano Jauregui	D6/375
D464,494	S *	10/2002	Gasca Burges	D6/374	D645,272	S *	9/2011	Lissoni	D6/376
D470,670	S *	2/2003	Meyer	D6/374	D651,426	S *	1/2012	Chiaromonte	D6/375
D524,071	S *	7/2006	Brooks	D6/379	D665,593	S *	8/2012	Morrison	D6/375
					D666,428	S *	9/2012	Morrison	D6/375
					D693,139	S *	11/2013	Darrow	D6/374
					D715,569	S *	10/2014	Laub	D6/375
					D729,538	S *	5/2015	Kotilainen	D6/375

* cited by examiner

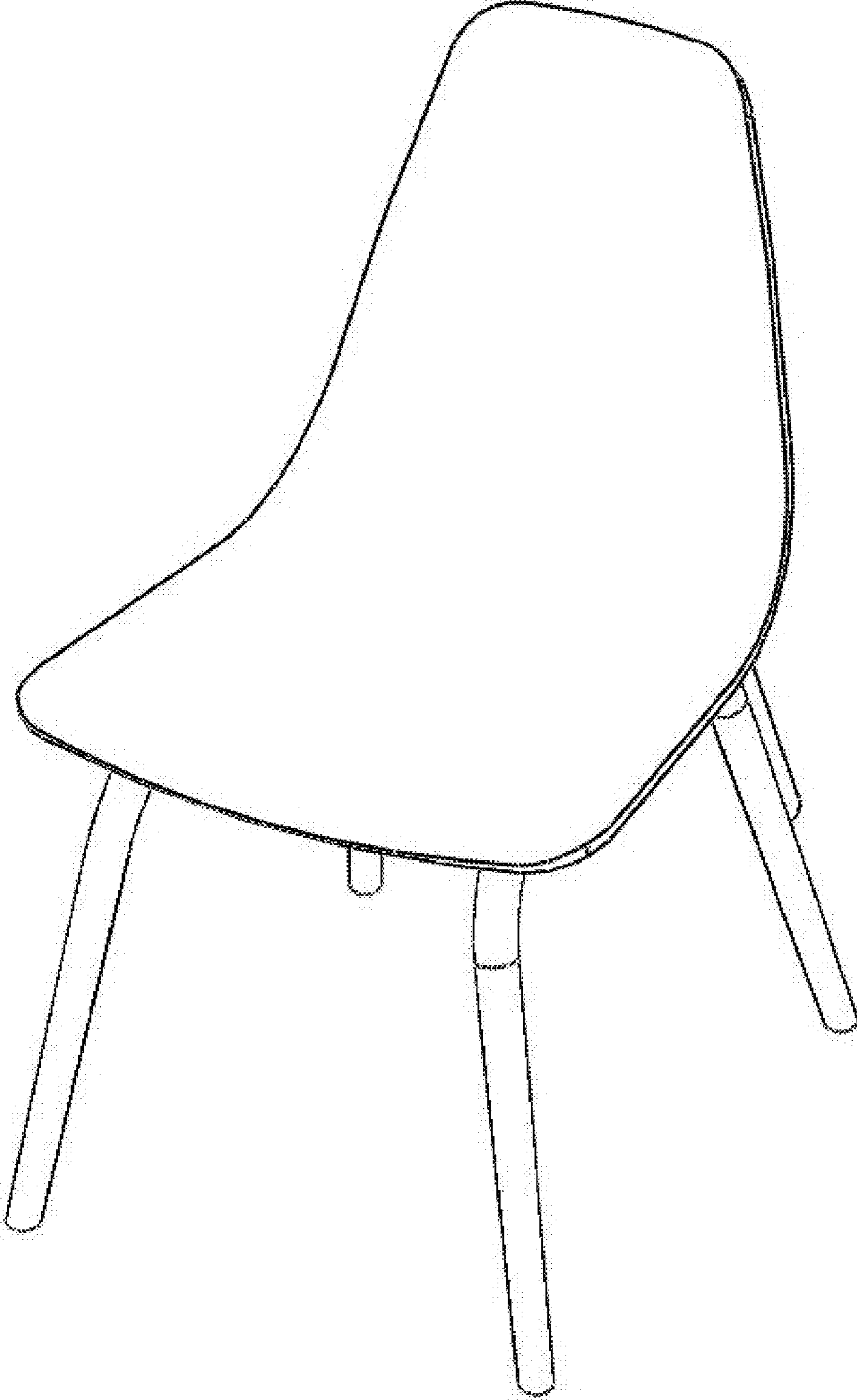
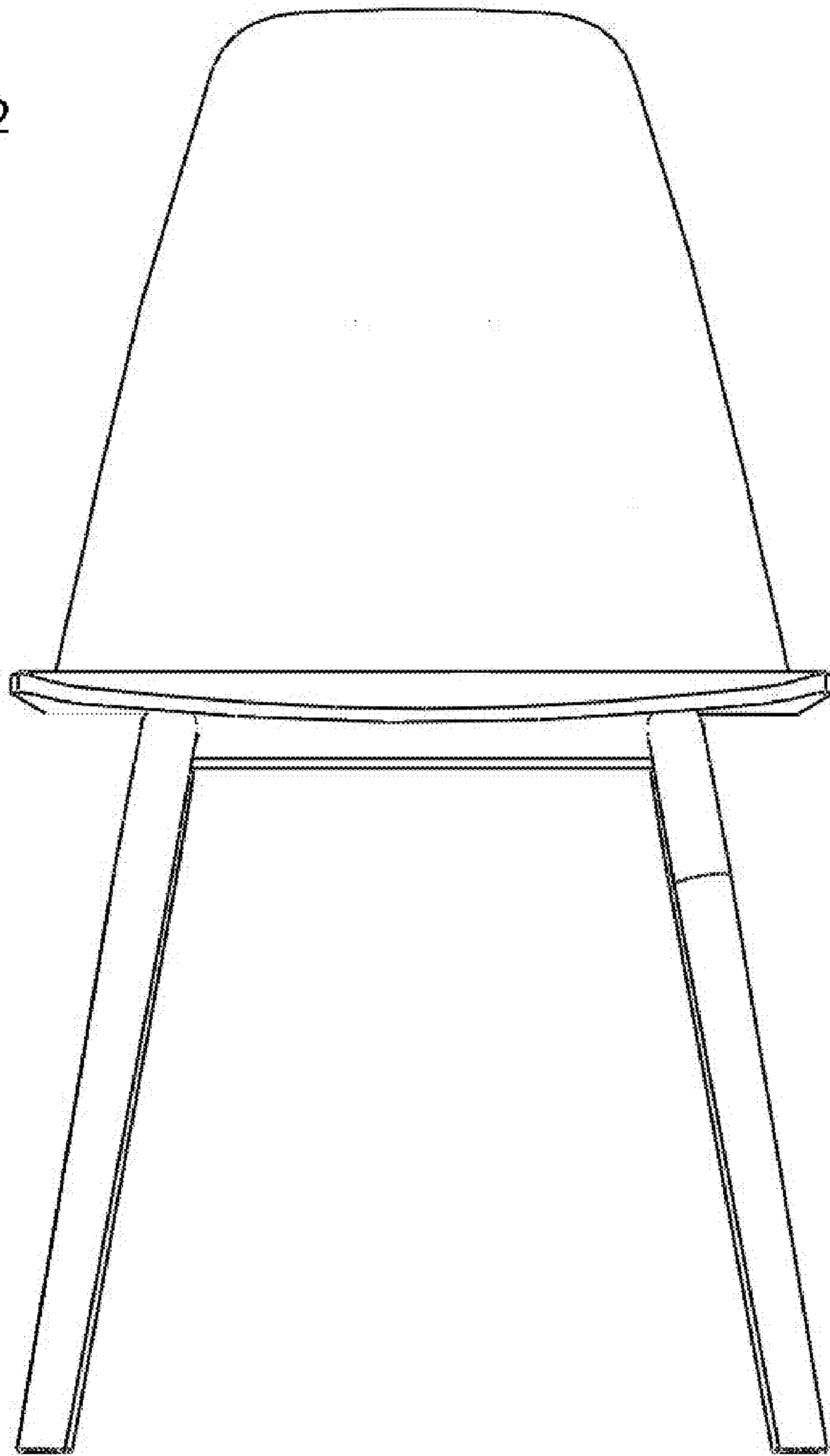


FIG. 1

FIG. 2



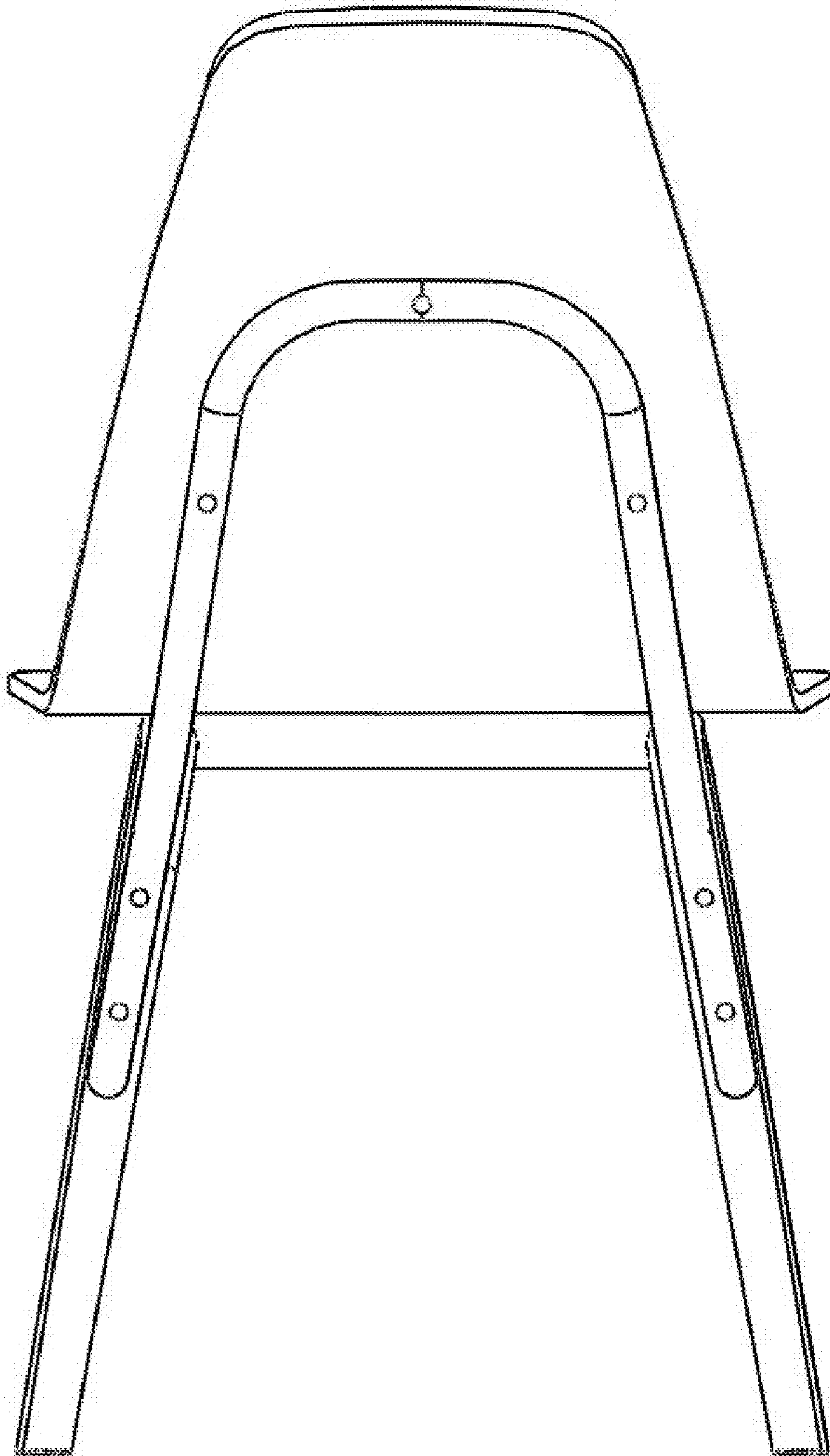


FIG. 3

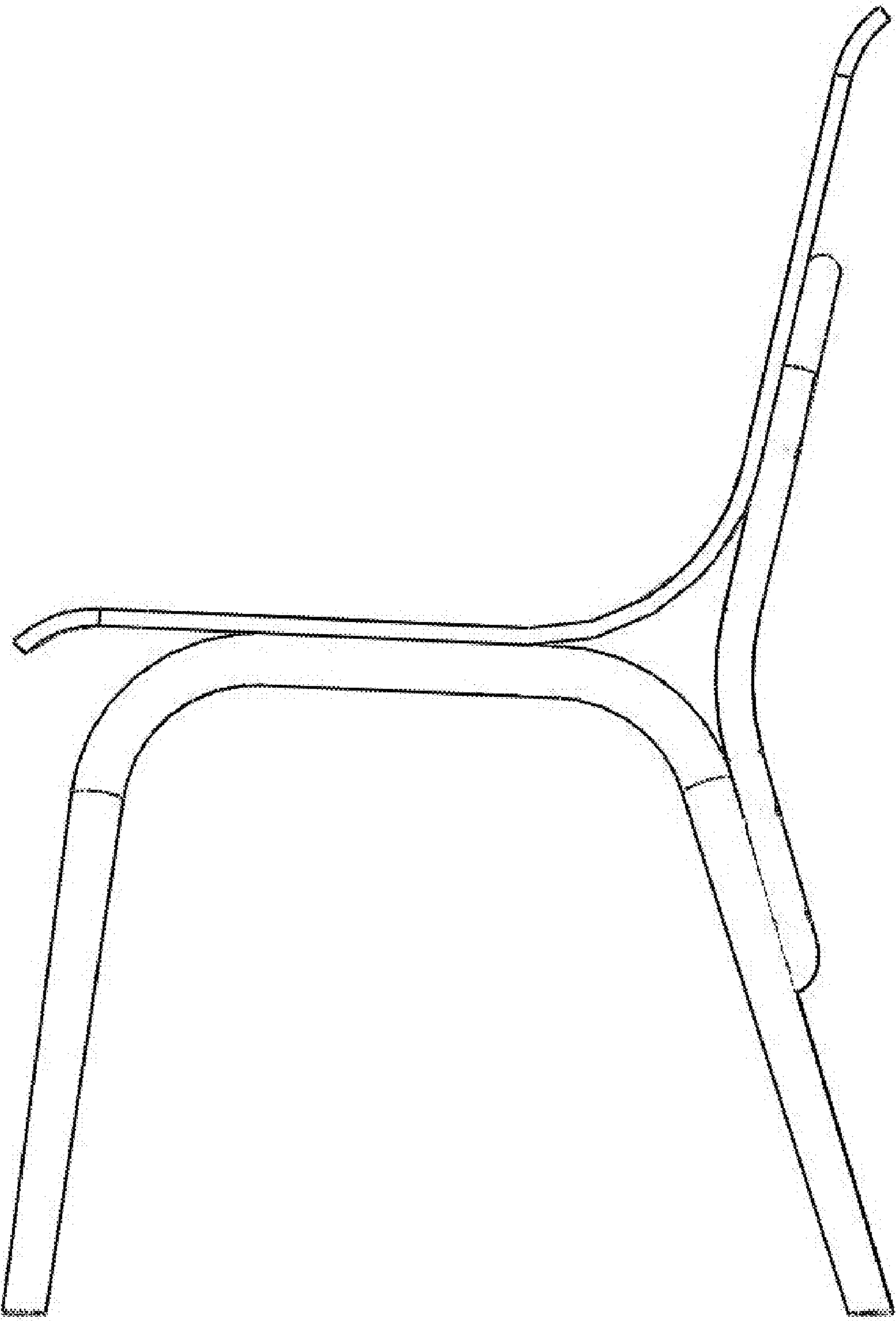


FIG. 4

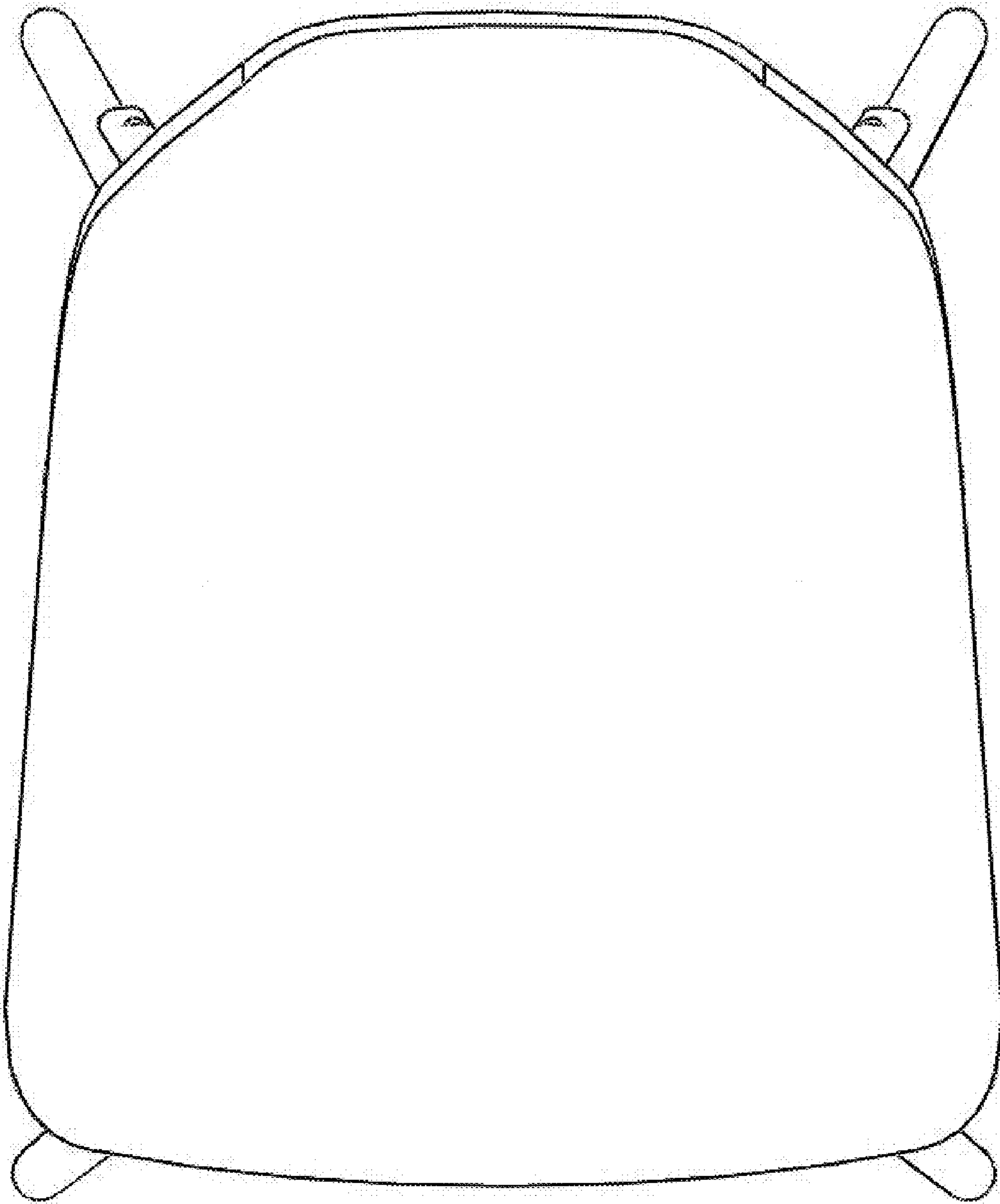


FIG. 5

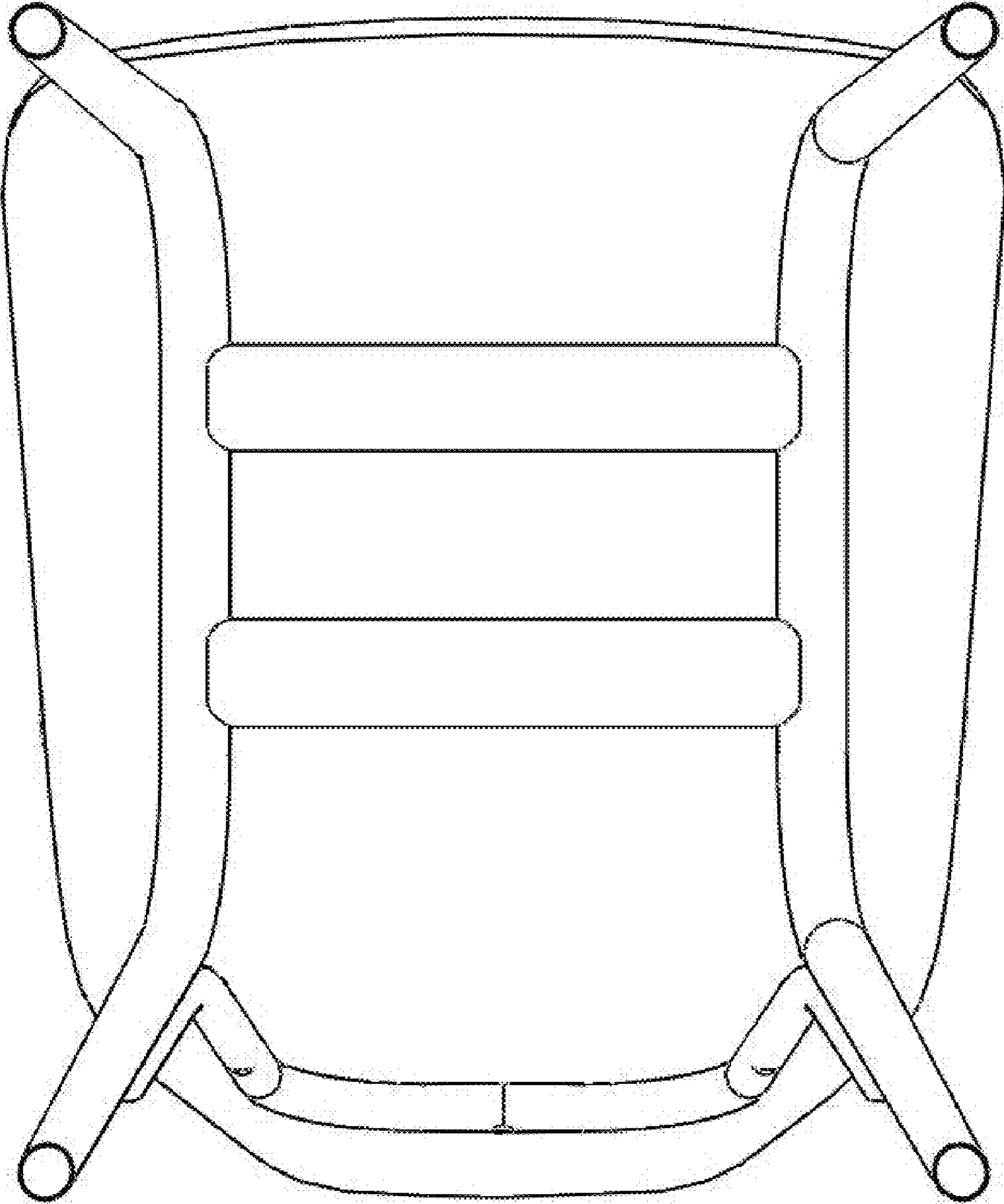


FIG. 6

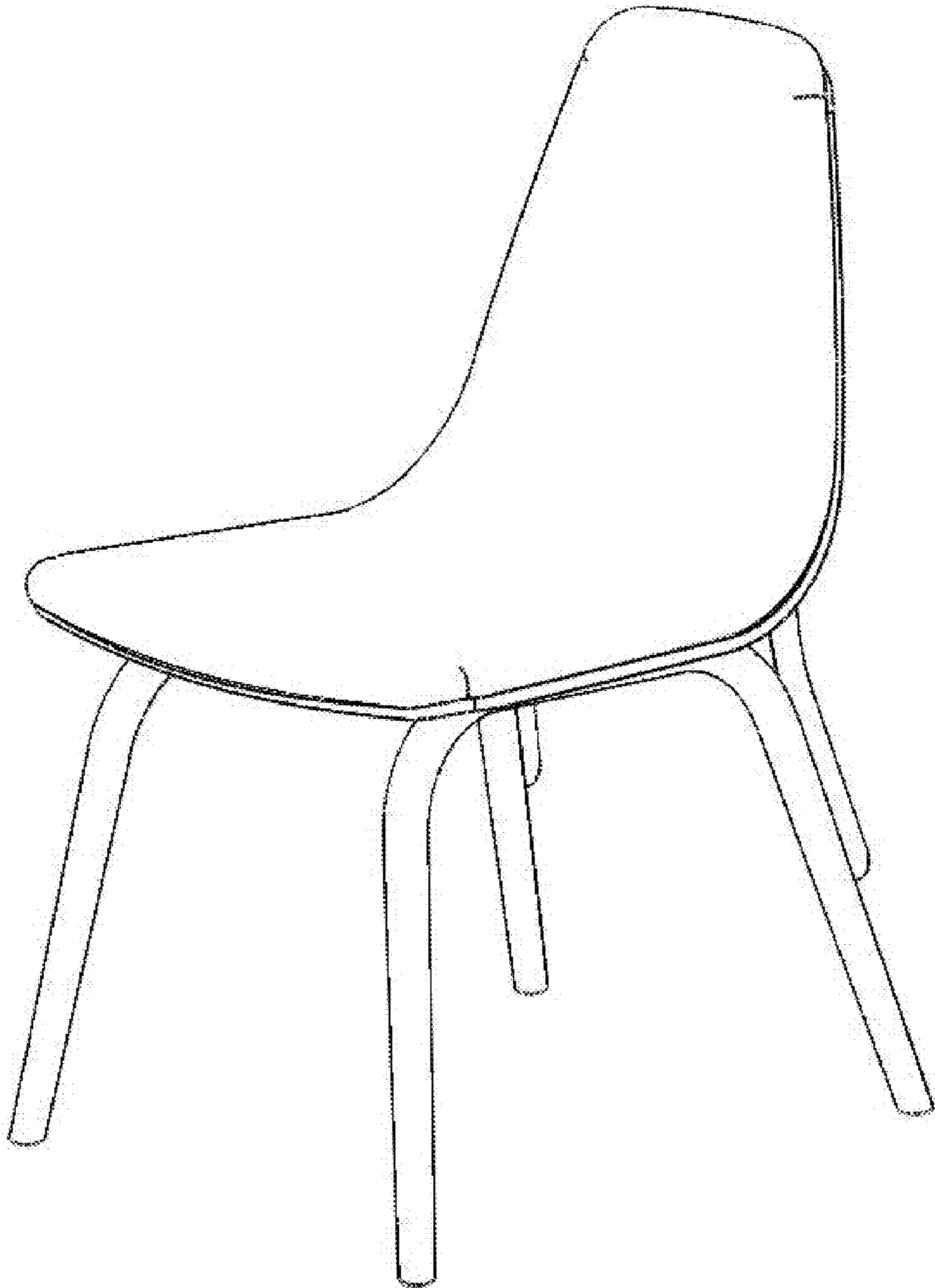


FIG. 7

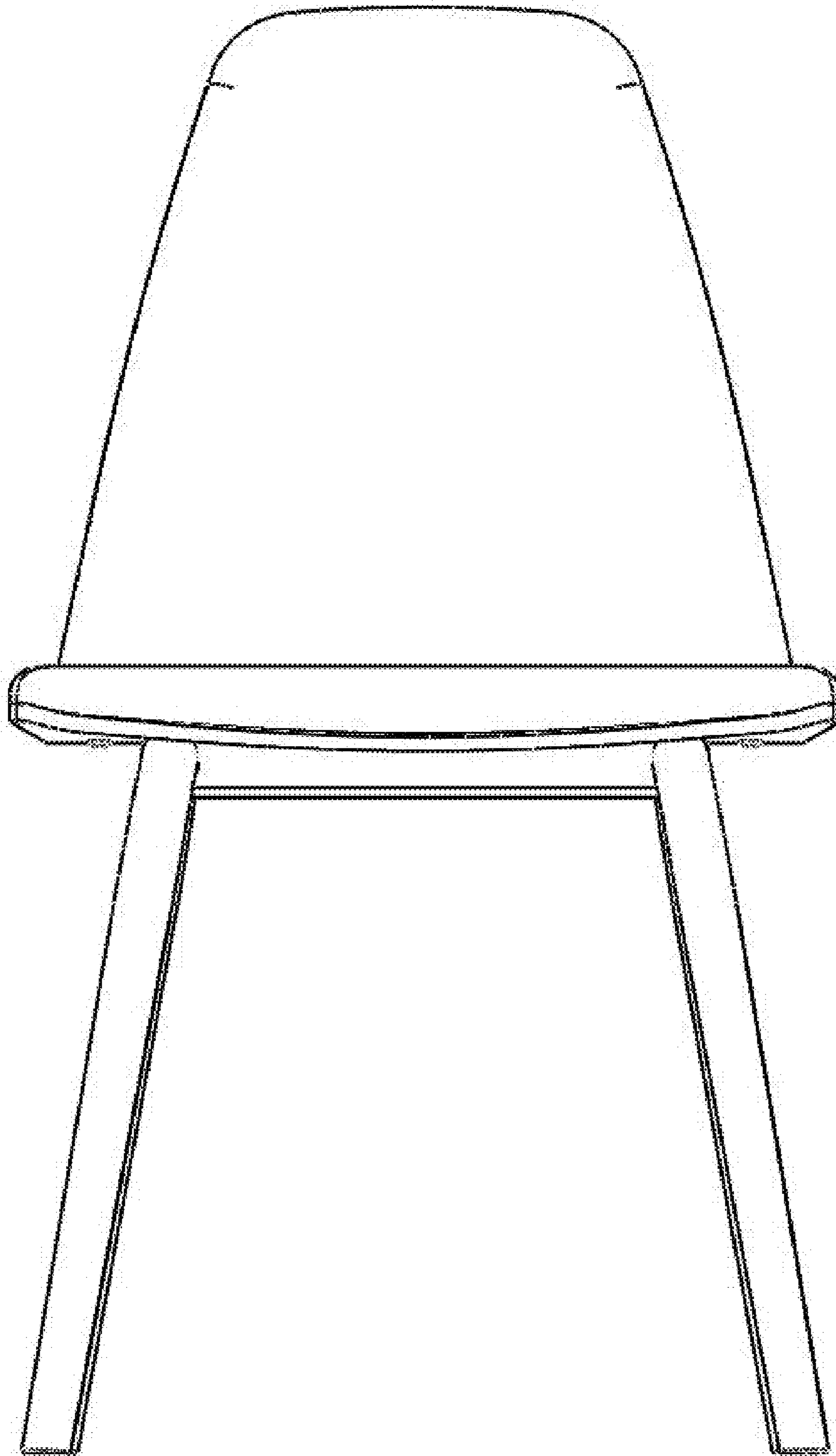


FIG. 8

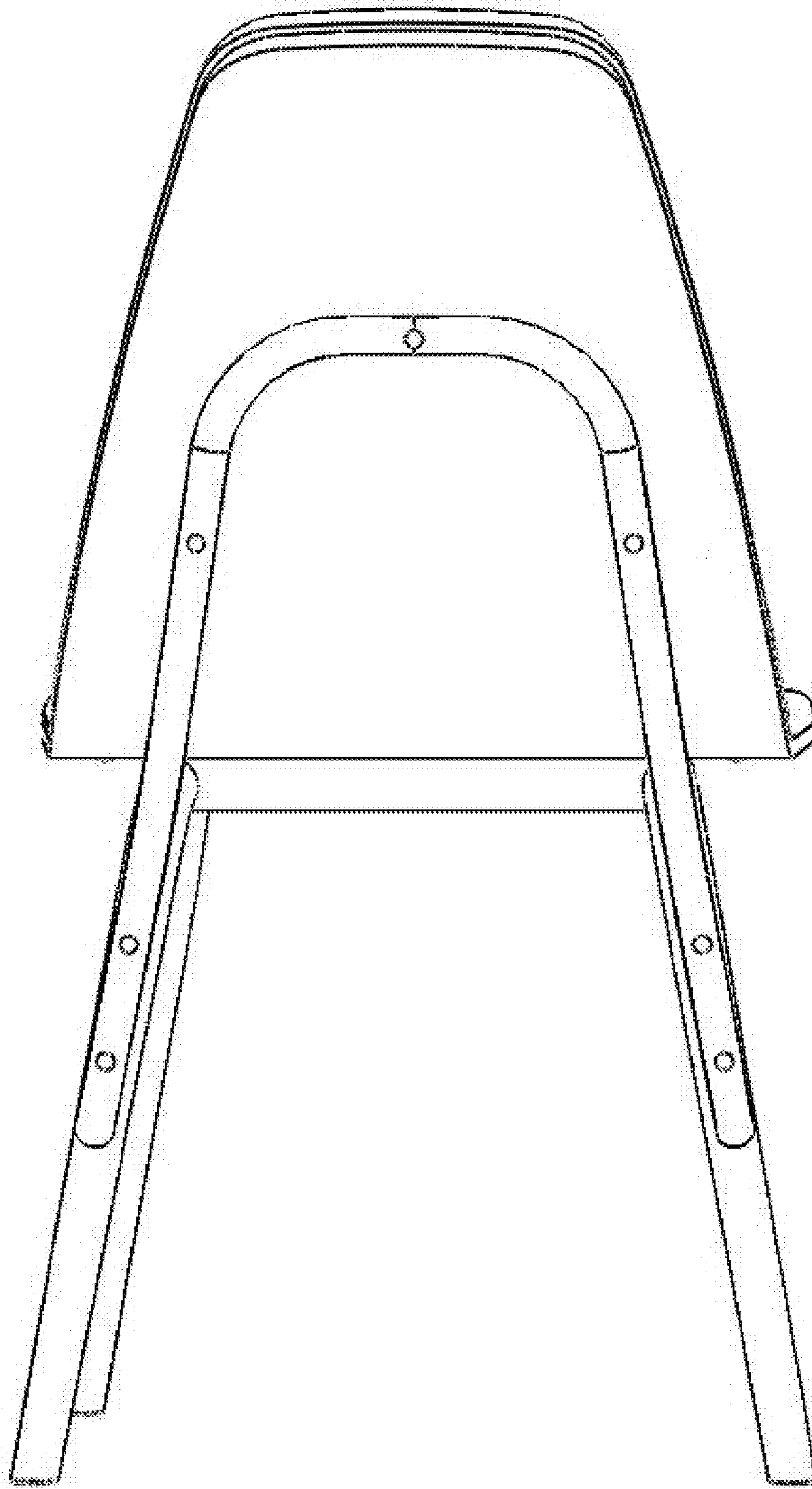


FIG. 9

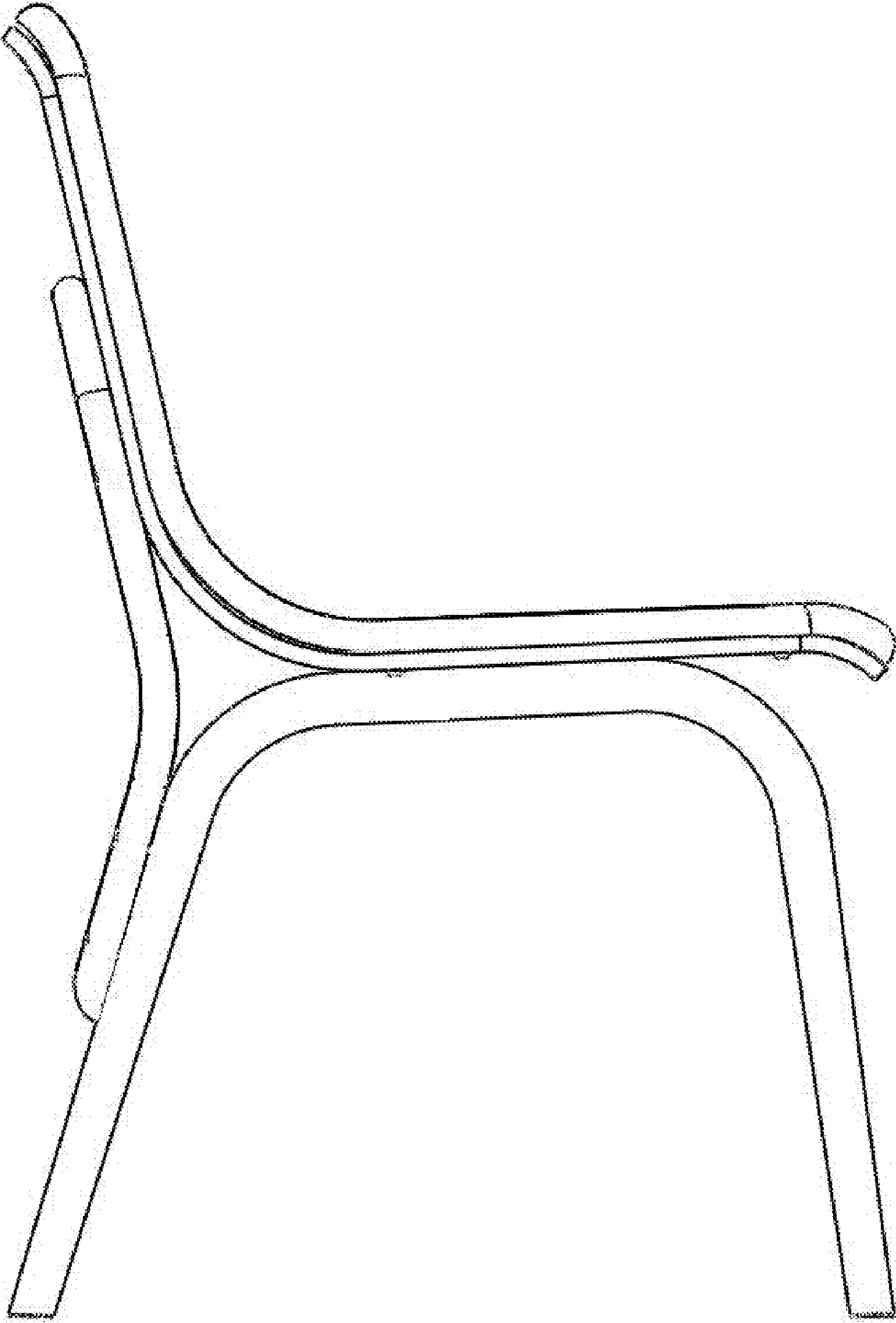


FIG. 10

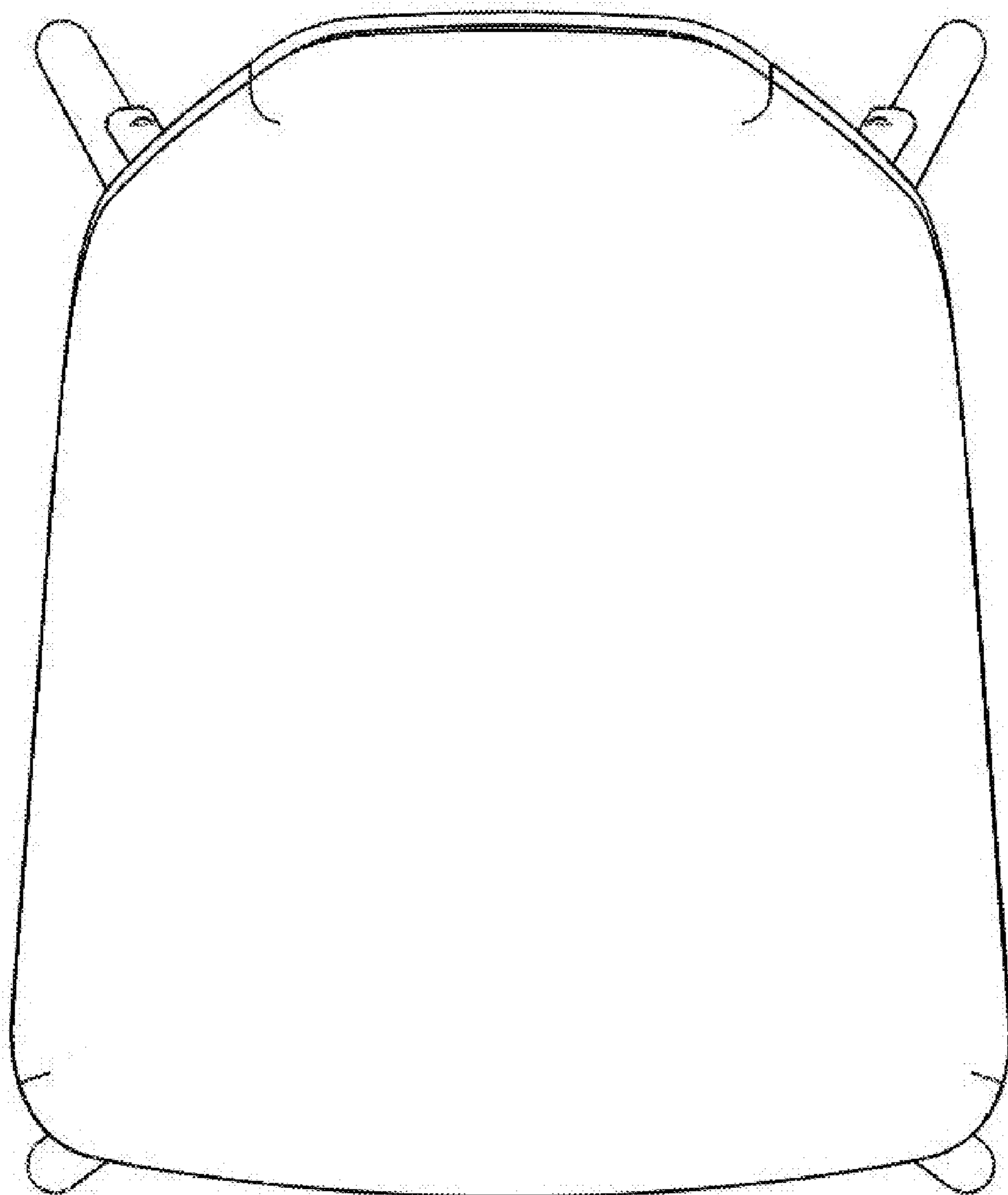


FIG. 11

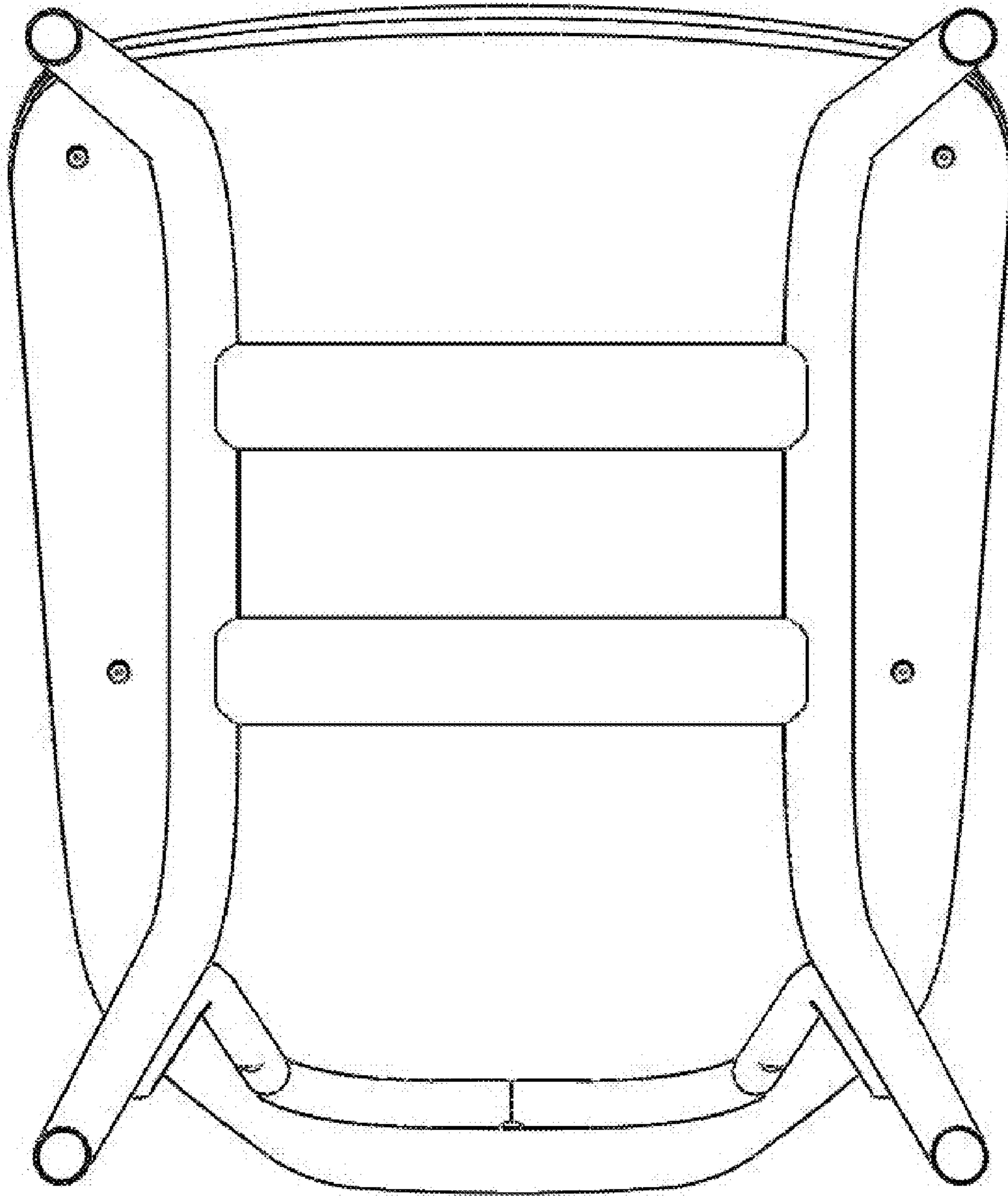


FIG. 12

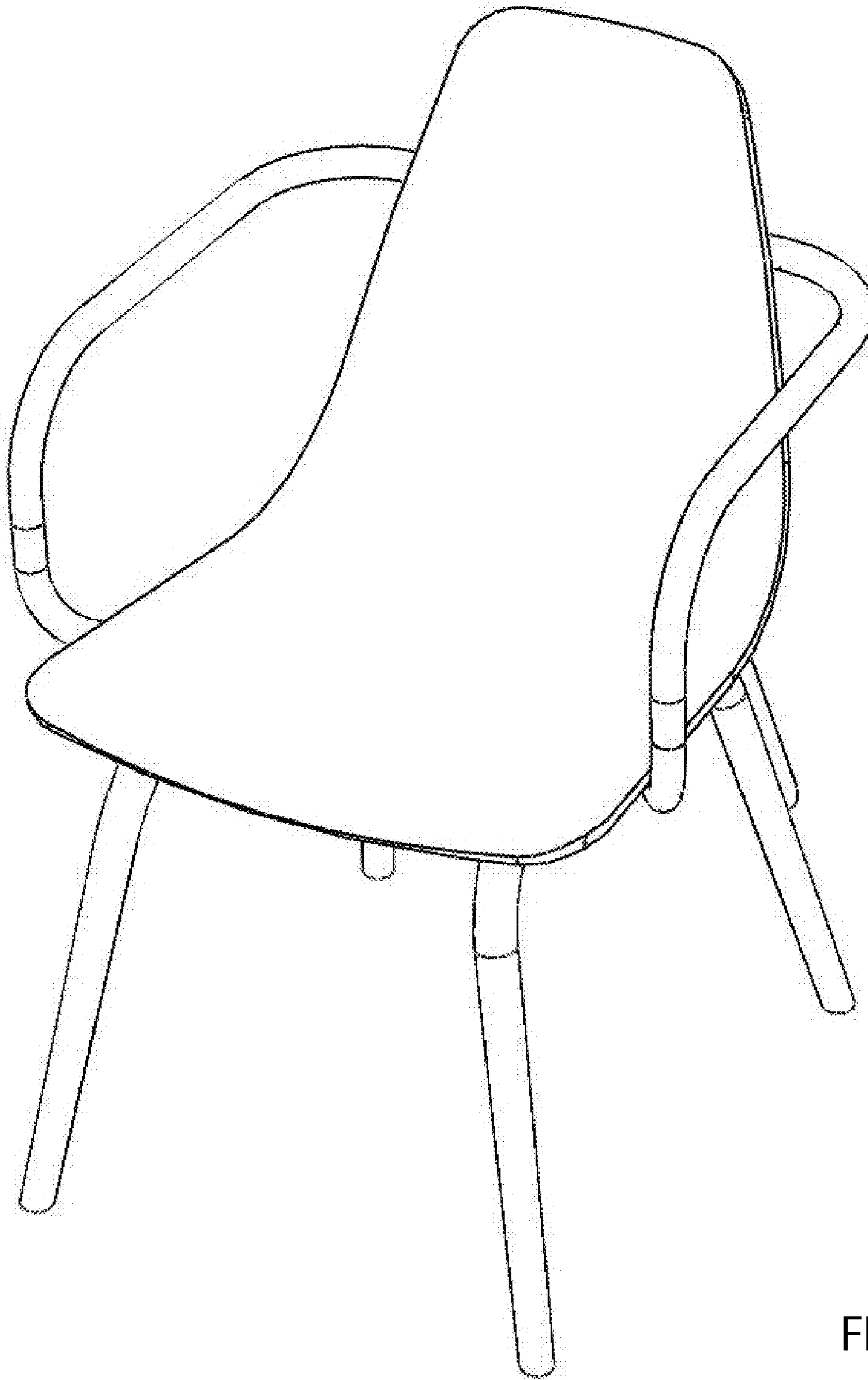


FIG. 13

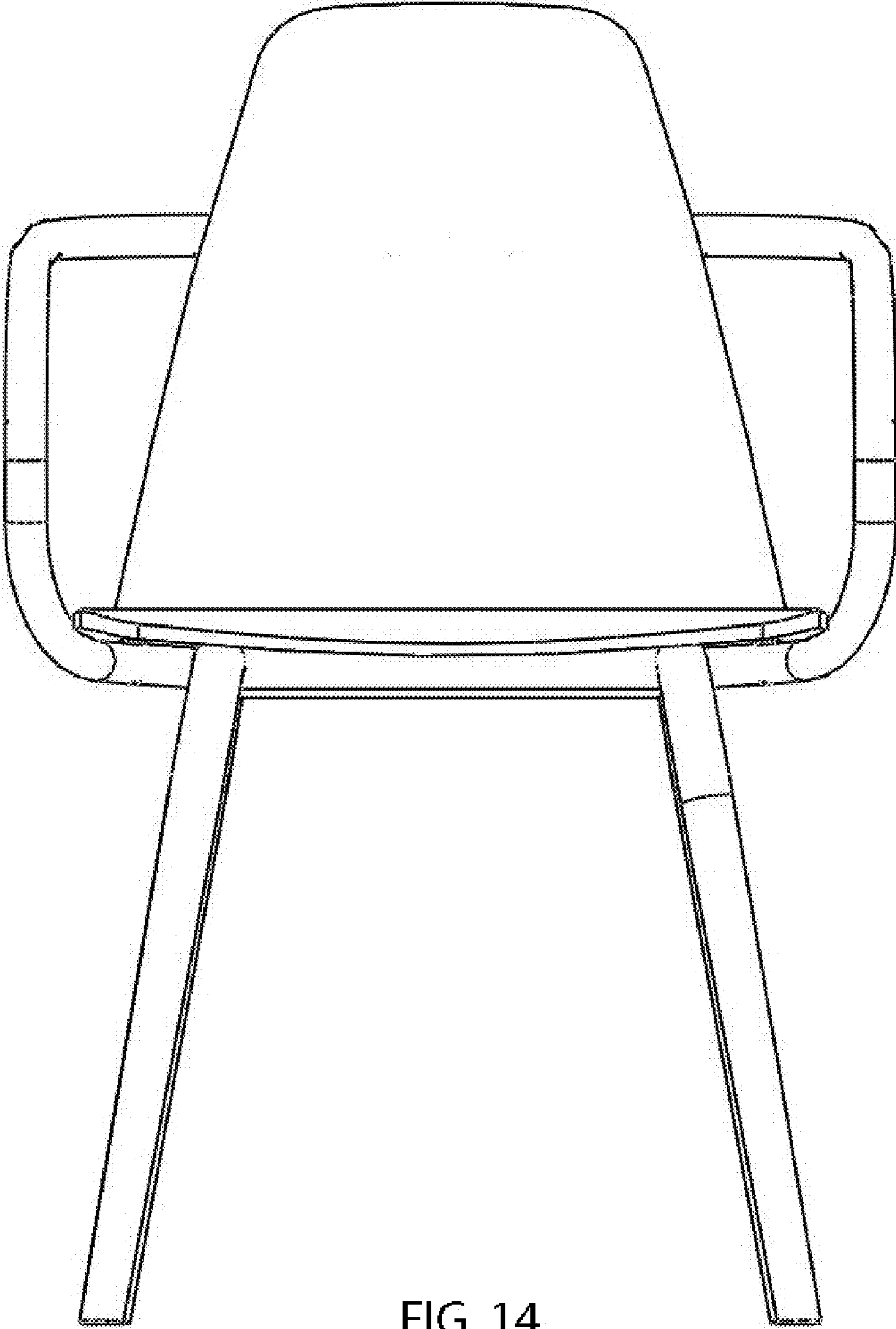


FIG. 14

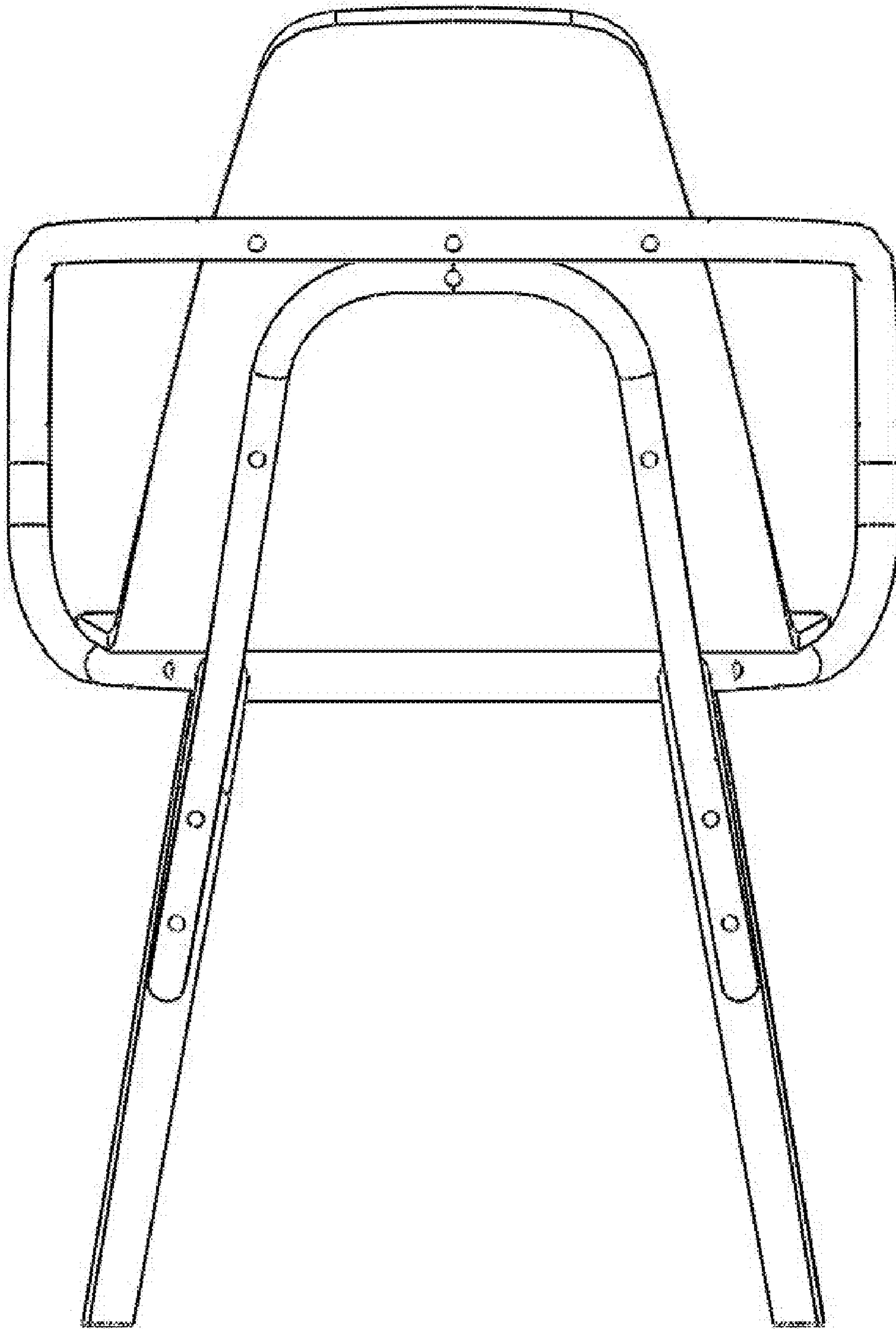


FIG. 15

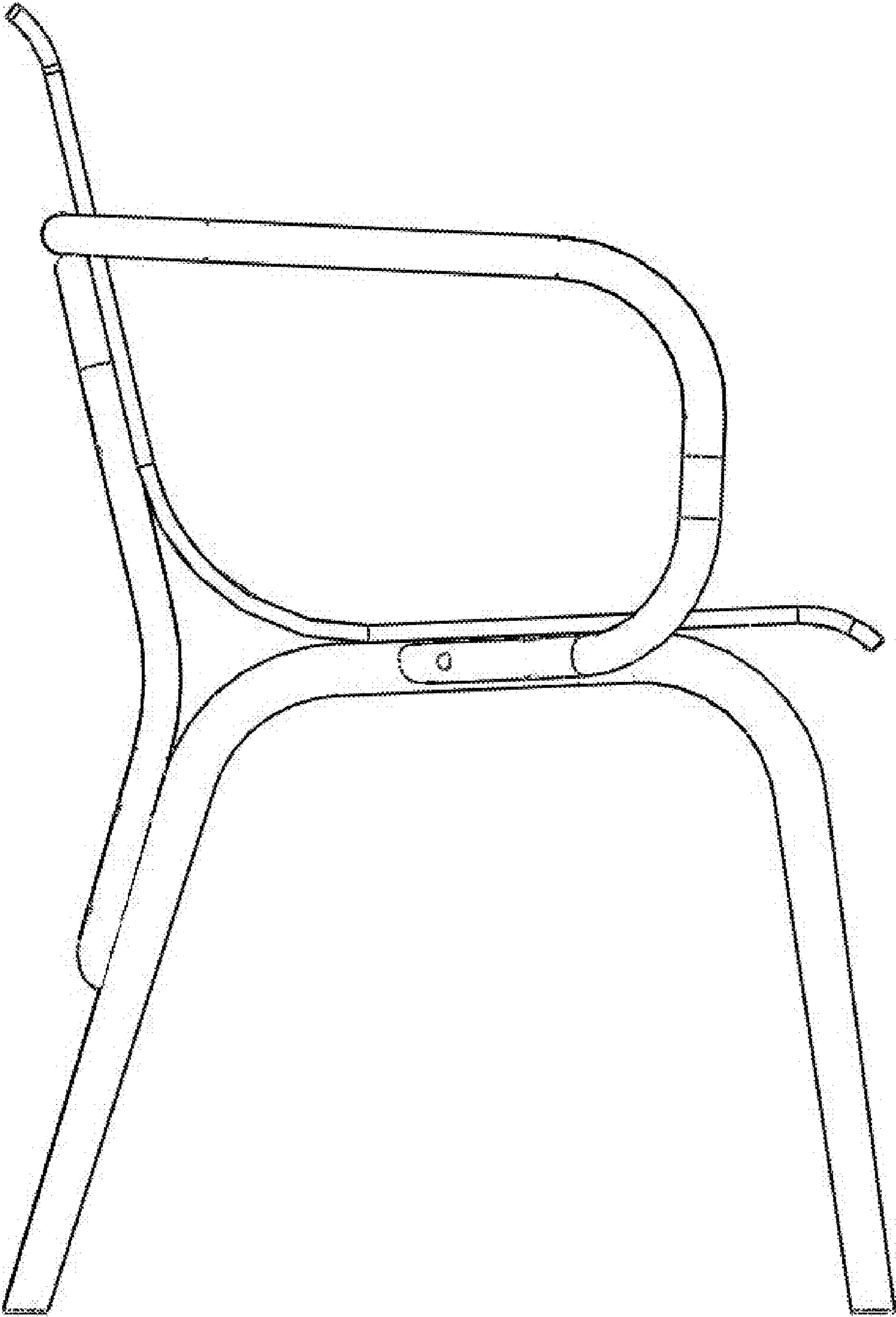


FIG. 16

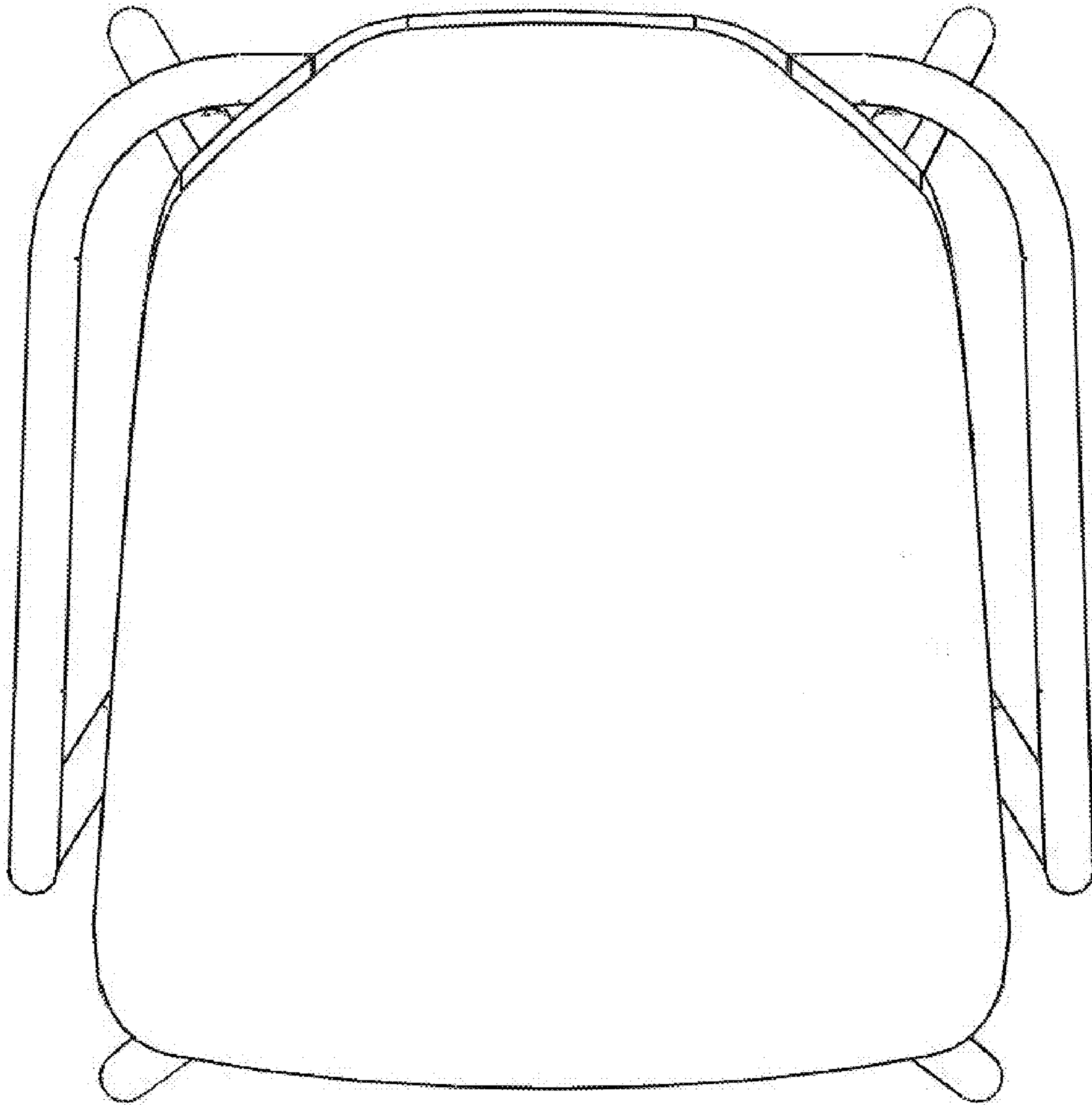


FIG. 17

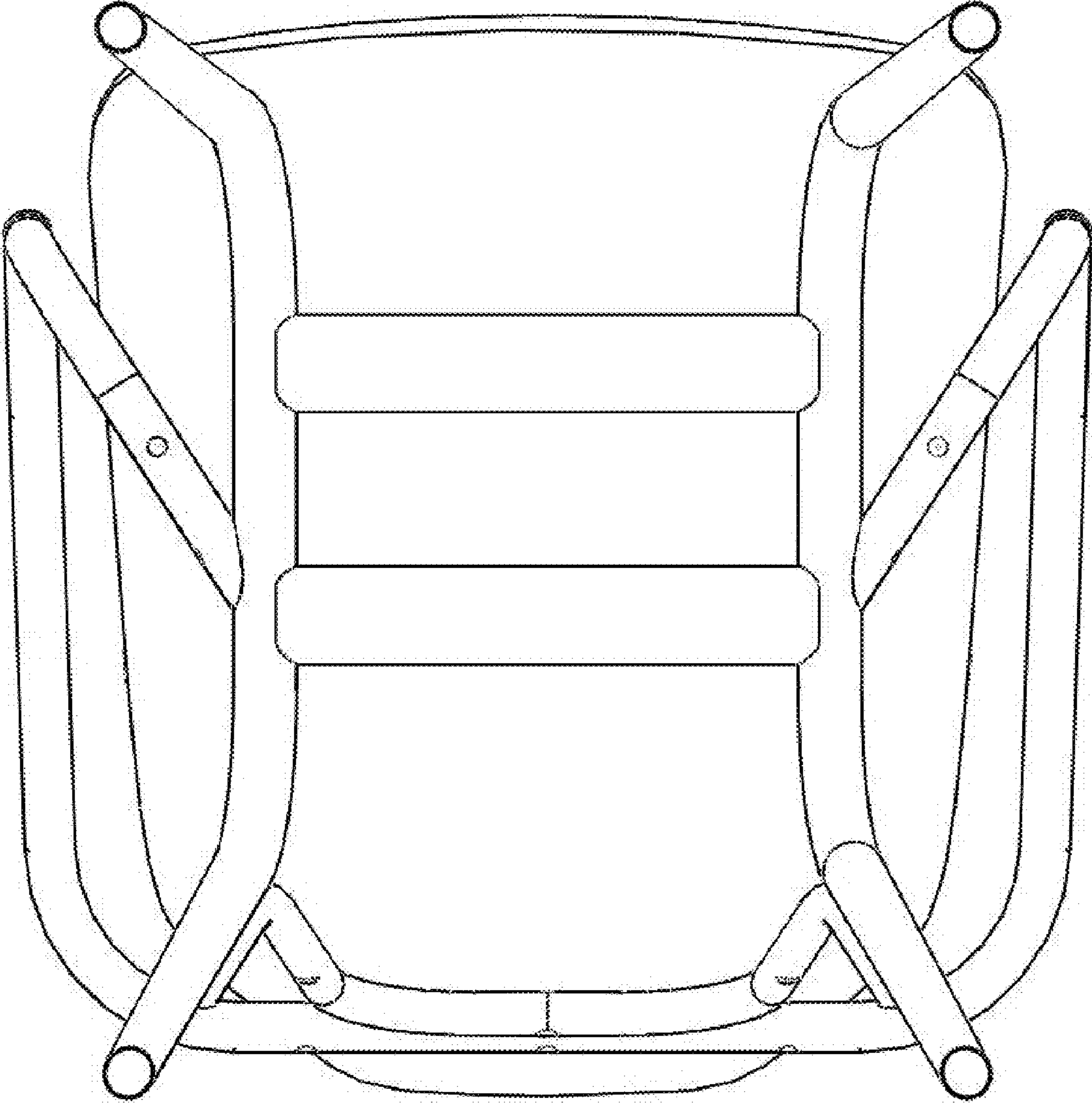


FIG. 18

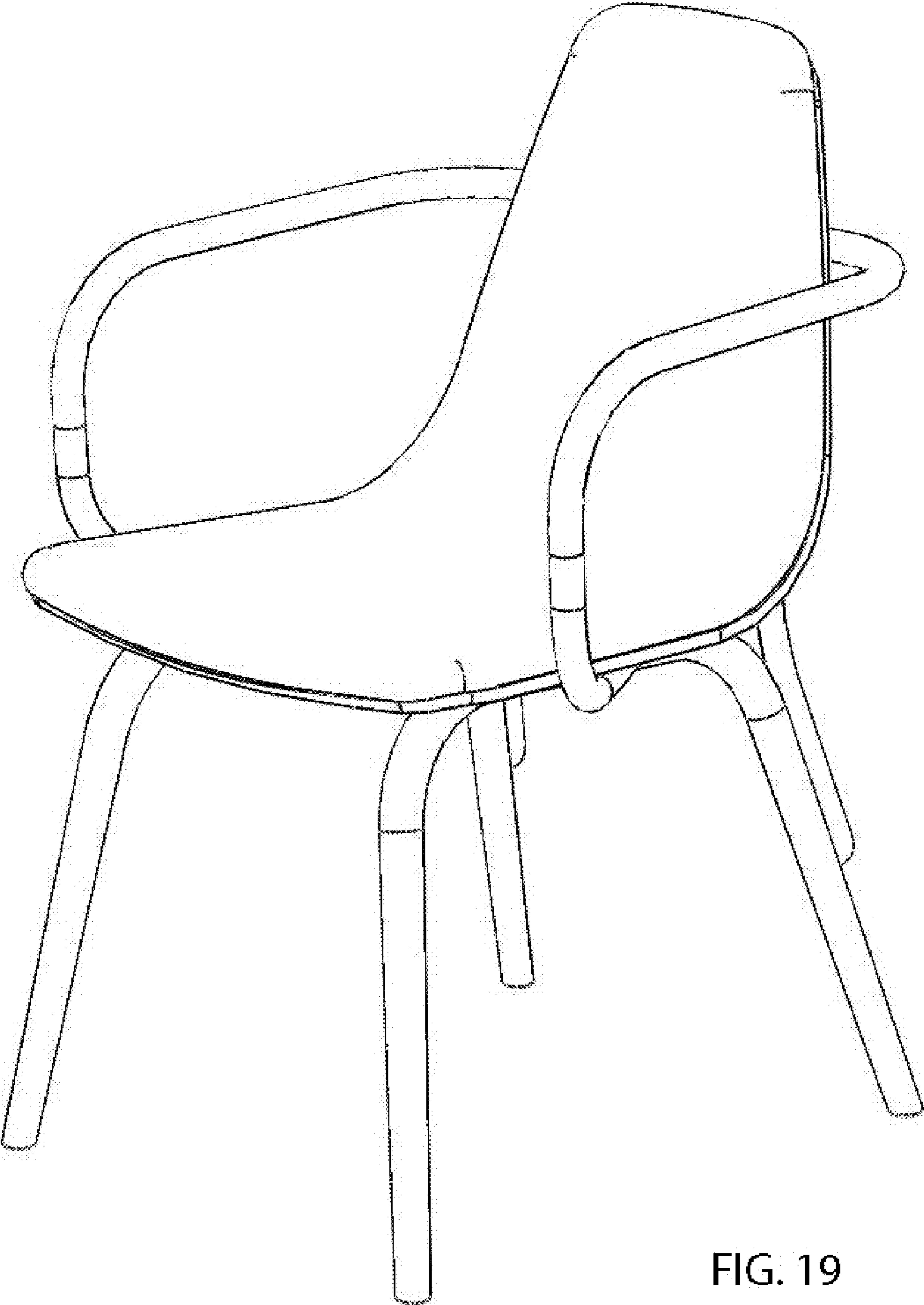


FIG. 19

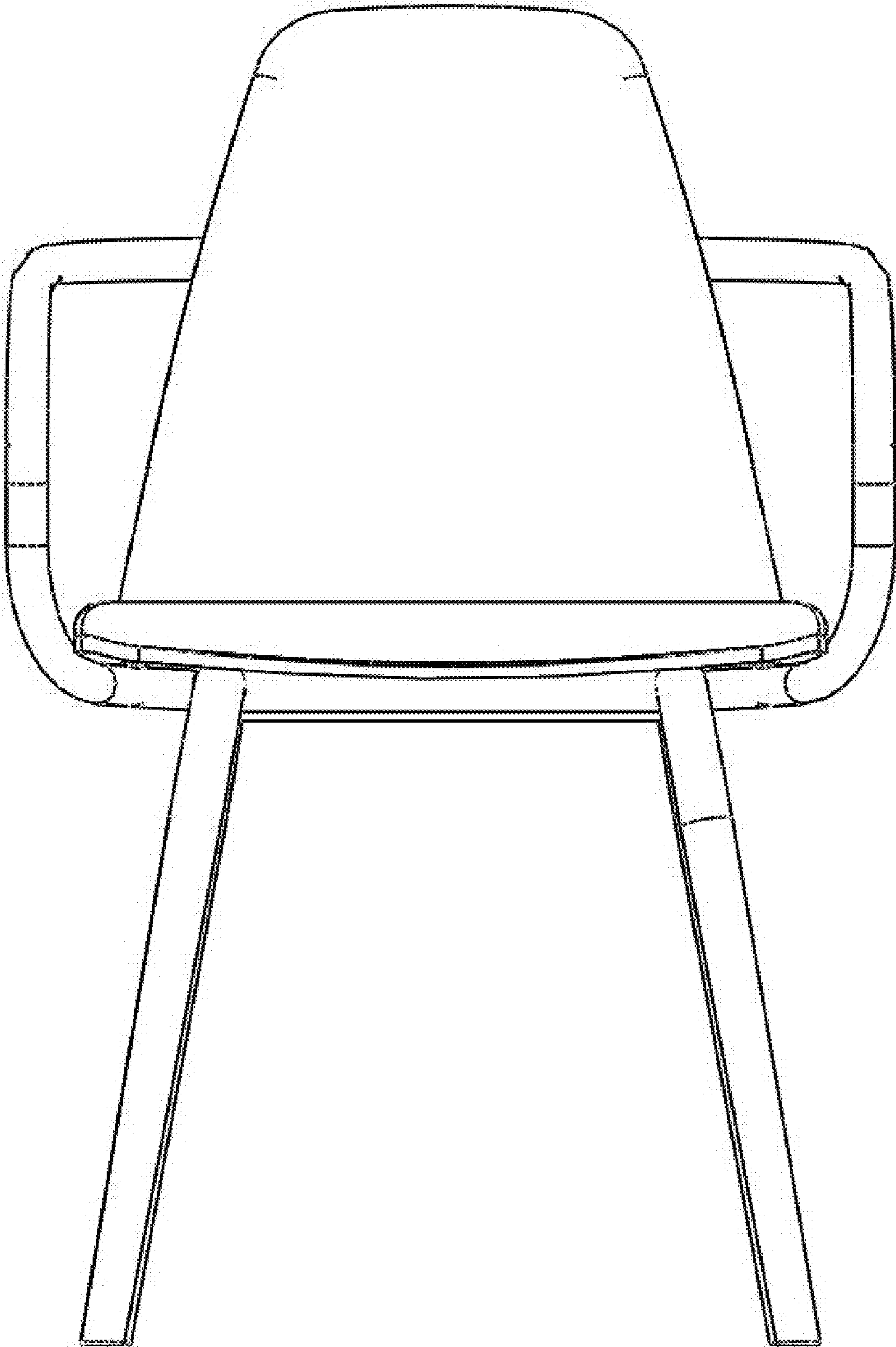


FIG. 20

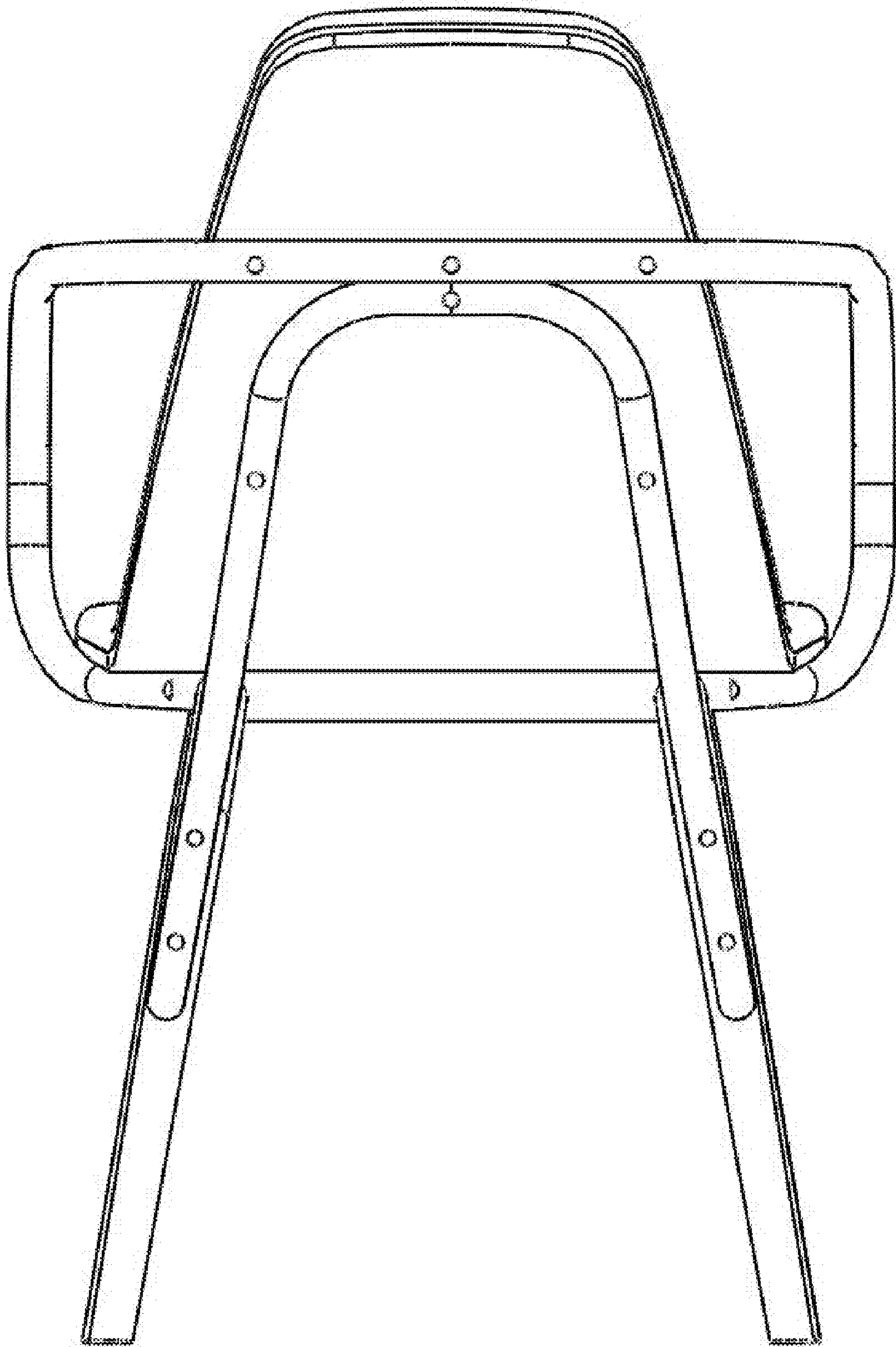


FIG. 21

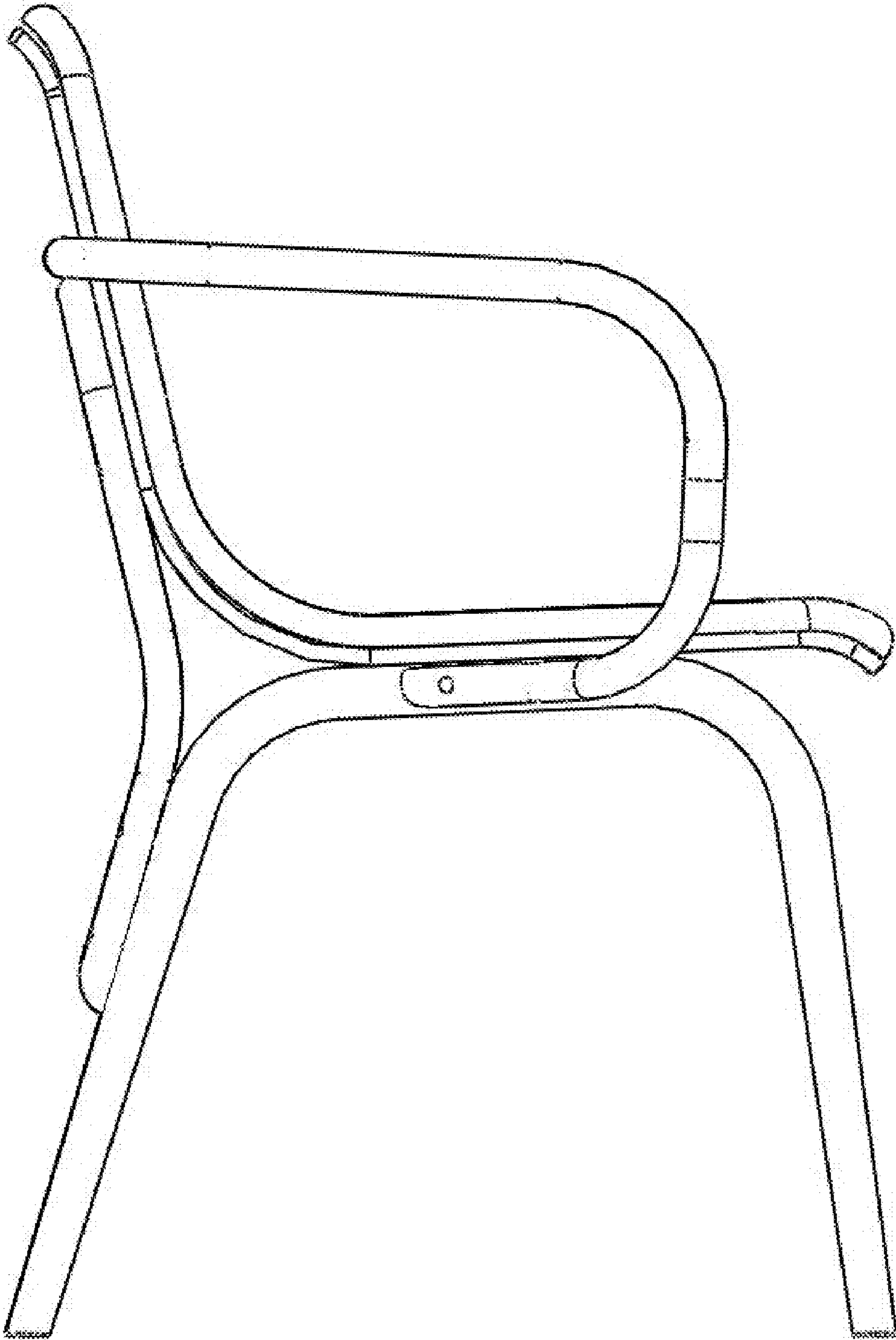


FIG. 22

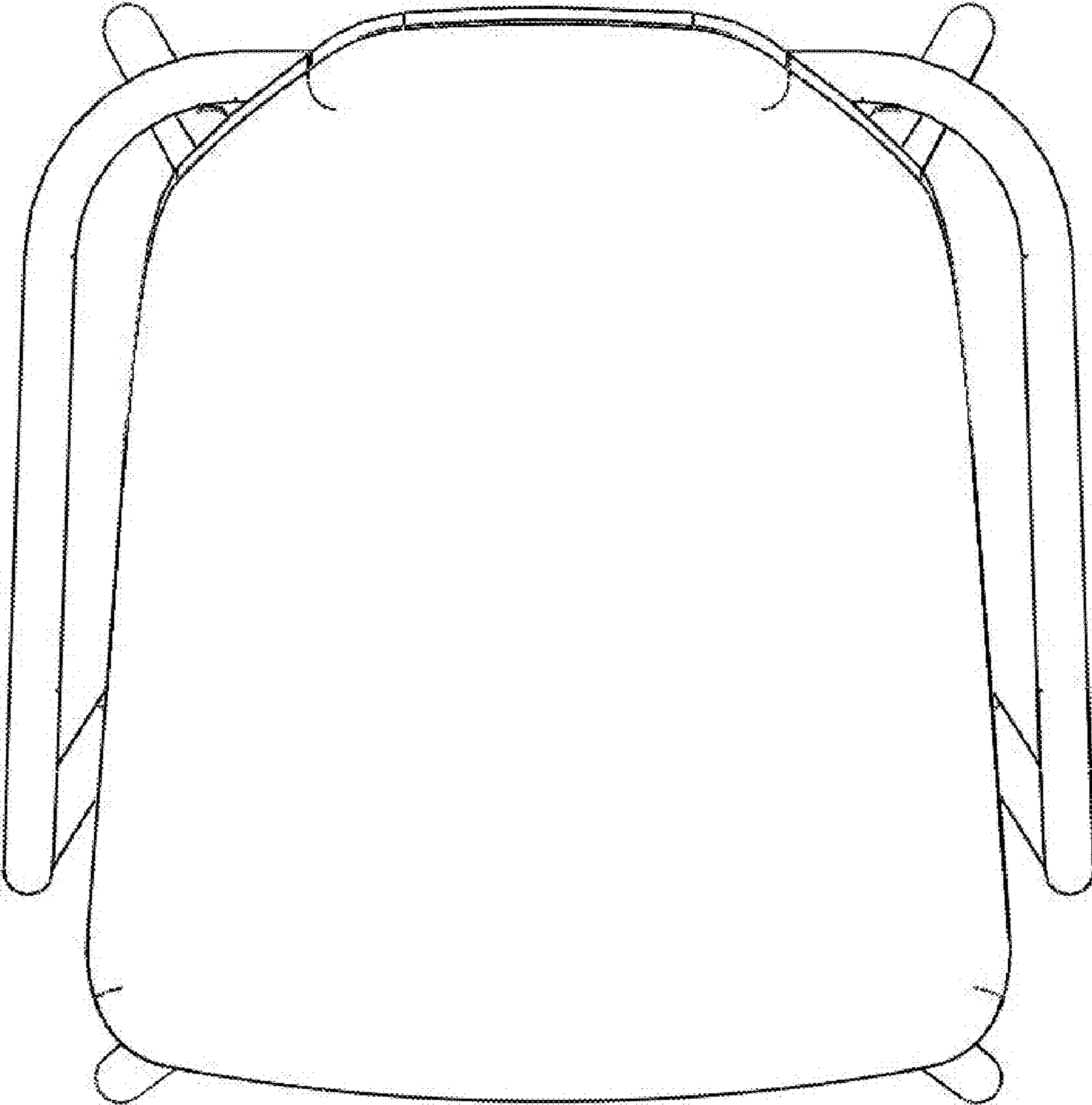


FIG. 23

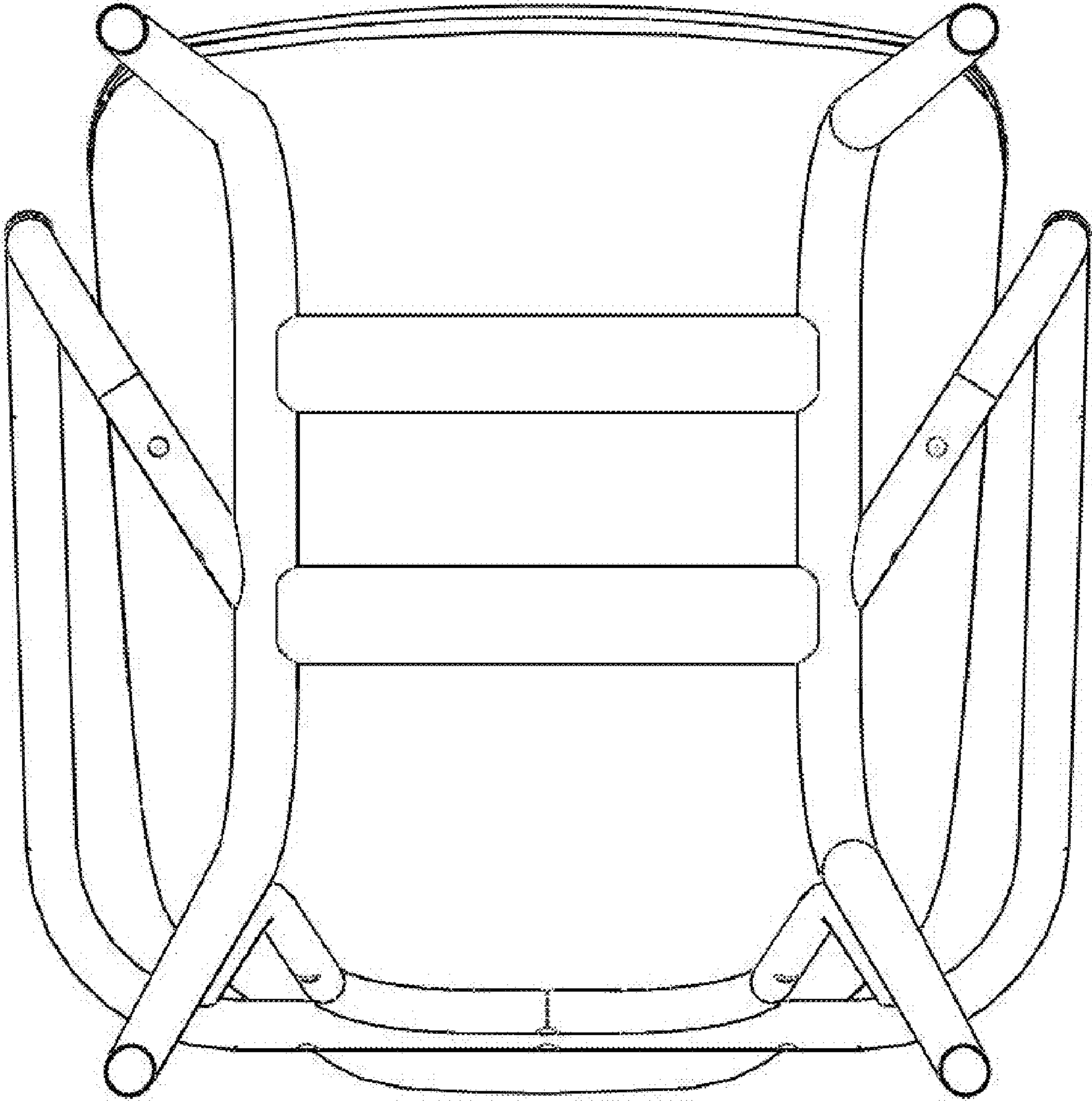


FIG. 24