



US00D748924S

(12) **United States Design Patent**
Walser

(10) **Patent No.:** **US D748,924 S**
(45) **Date of Patent:** **** Feb. 9, 2016**

(54) **STOOL**

(71) Applicant: **Inventor Group GmbH**, Wollerau (CH)

(72) Inventor: **Thomas Walser**, Kreuzlingen (CH)

(73) Assignee: **Inventor Group GmbH**, Wollerau (CH)

(**) Term: **14 Years**

(21) Appl. No.: **29/508,750**

(22) Filed: **Nov. 10, 2014**

(30) **Foreign Application Priority Data**

Aug. 20, 2014 (EM) 002522284-0001

Aug. 20, 2014 (EM) 002522284-0002

Aug. 20, 2014 (EM) 002522284-0003

(51) **LOC (10) Cl.** **06-01**

(52) **U.S. Cl.**
USPC **D6/352**

(58) **Field of Classification Search**

USPC D6/333, 335, 340, 344, 347, 349-355,
D6/358, 360, 363-365, 381, 406.6, 596,
D6/601, 648, 662.1, 675, 677, 685-687,
D6/688.15, 688.27, 690, 691, 691.8,
D6/692.1-692.3, 695.1, 708.16, 708.2,
D6/709, 709.2, 709.22, 711, 716-716.7,
D6/717

CPC A47C 1/14; A47C 3/00; A47C 3/04;
A47C 3/14; A47C 3/16; A47C 3/18; A47C
3/20; A47C 3/36; A47C 4/00; A47C 4/28;
A47C 4/30; A47C 4/38; A47C 4/42; A47C
4/48; A47C 5/02; A47C 5/04; A47C 5/043;
A47C 7/00-7/006; A47C 7/02; A47C 9/00;
A47C 9/02; A47C 9/002; A47C 9/007;
A47C 9/025; A47C 9/10; A47C 11/00;
A47C 12/00; A47C 13/00; A47C 16/02;
A47B 7/00-7/02; A47B 45/00; A47B
47/04-47/045; A47B 3/00; A47B 3/02;
A47B 3/04; A47B 3/12

See application file for complete search history.

(56) **References Cited**

U.S. PATENT DOCUMENTS

D225,283 S * 11/1972 Axelrod D6/677
D283,856 S * 5/1986 Elmaleh D6/349
D292,147 S * 10/1987 Lomedico D6/349
D313,896 S * 1/1991 Kaye D6/360
5,044,587 A * 9/1991 Degen A47C 3/025
108/150
D381,821 S * 8/1997 Miles D6/349
D454,438 S * 3/2002 Volkman D6/349
D454,706 S * 3/2002 Volkman D6/349

(Continued)

Primary Examiner — Susan Bennett Hattan

Assistant Examiner — Vy Koenig

(74) *Attorney, Agent, or Firm* — Smartpat PLC

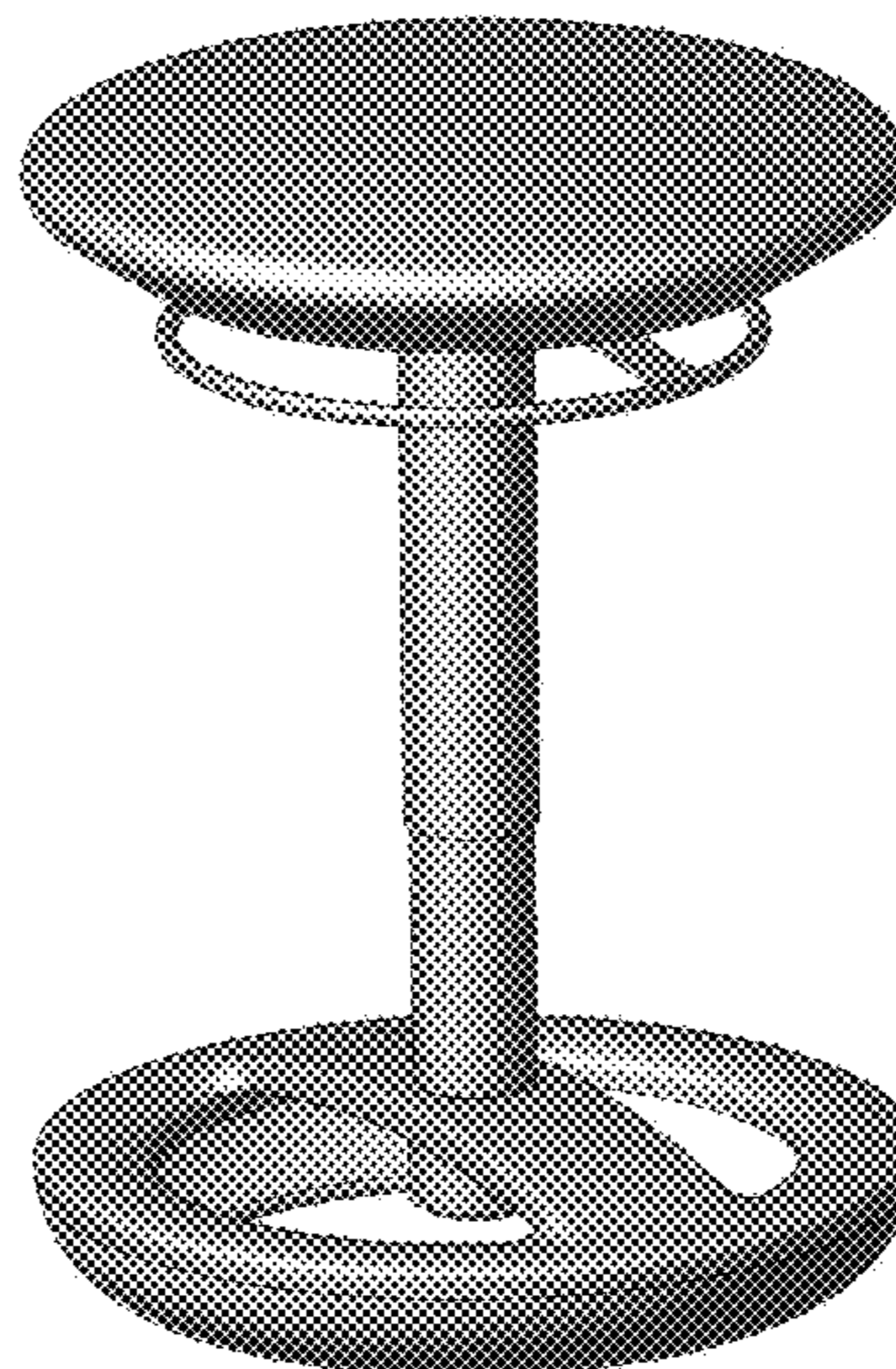
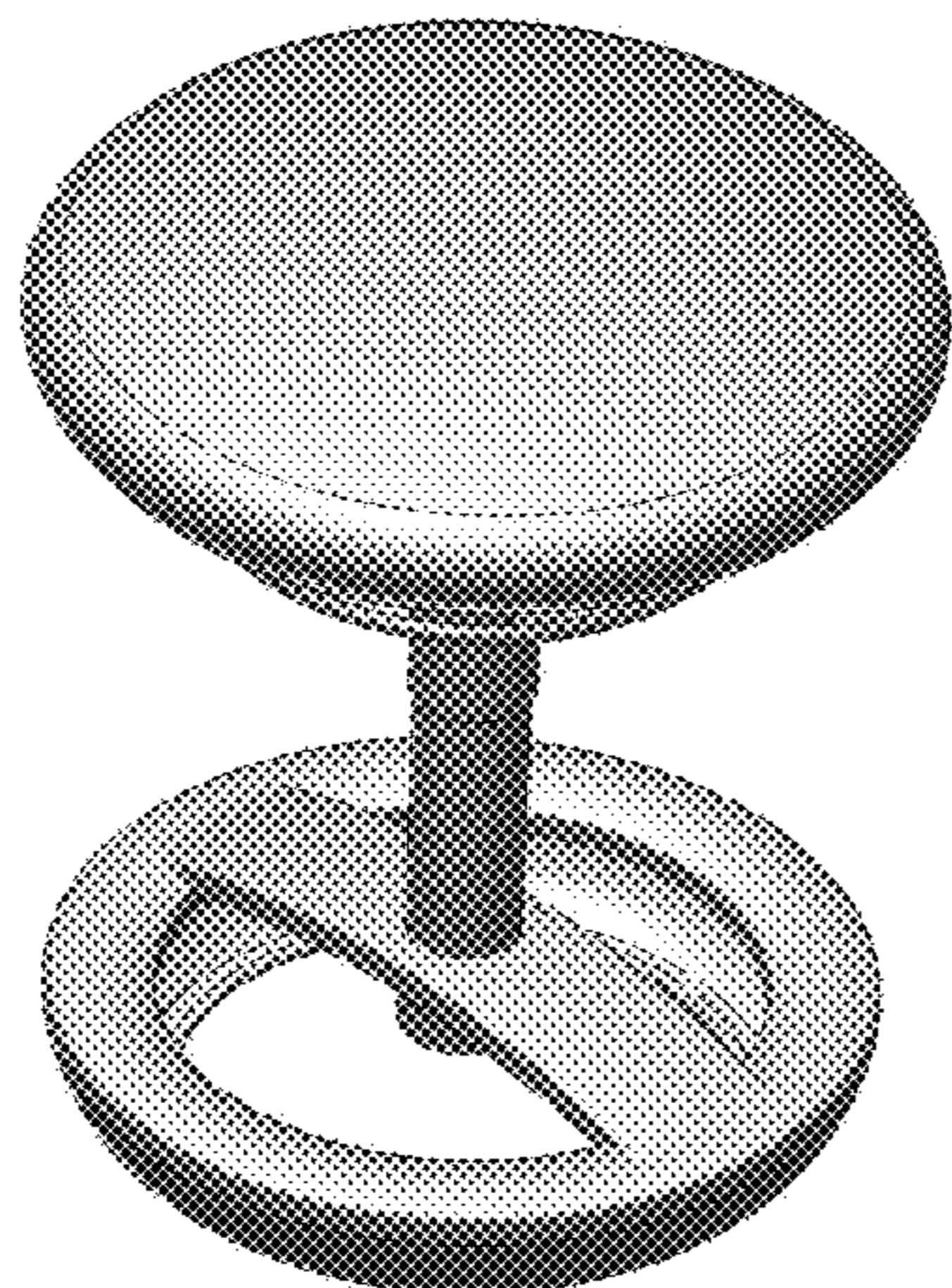
(57) **CLAIM**

I claim the ornamental design for a stool, as shown and described.

DESCRIPTION

FIG. 1 is a front view of a stool showing a first embodiment of my new design, the rear view being a mirror image;
FIG. 2 is a left side view thereof, the right side view being a mirror image;
FIG. 3 is a bottom view thereof;
FIG. 4 is a top view thereof;
FIG. 5 is a bottom perspective view thereof;
FIG. 6 is a top perspective view thereof;
FIG. 7 is a front view of a stool showing a second embodiment of my new design, the rear view being a mirror image;
FIG. 8 is a left side view thereof, the right side view being a mirror image;
FIG. 9 is a bottom view thereof;
FIG. 10 is a top view thereof;
FIG. 11 is a bottom perspective view thereof; and,
FIG. 12 is a top perspective view thereof.

1 Claim, 12 Drawing Sheets



US D748,924 S

Page 2

(56)

References Cited

U.S. PATENT DOCUMENTS

			D565,313 S *	4/2008	Johnsen	D6/349	
			D671,772 S *	12/2012	Lee	D6/692.3	
			D720,143 S *	12/2014	Barber	D6/349	
	6,644,742 B1	11/2003	Walser				
	D530,531 S *	10/2006	Kita			D6/349	* cited by examiner



FIG. 1



FIG. 2

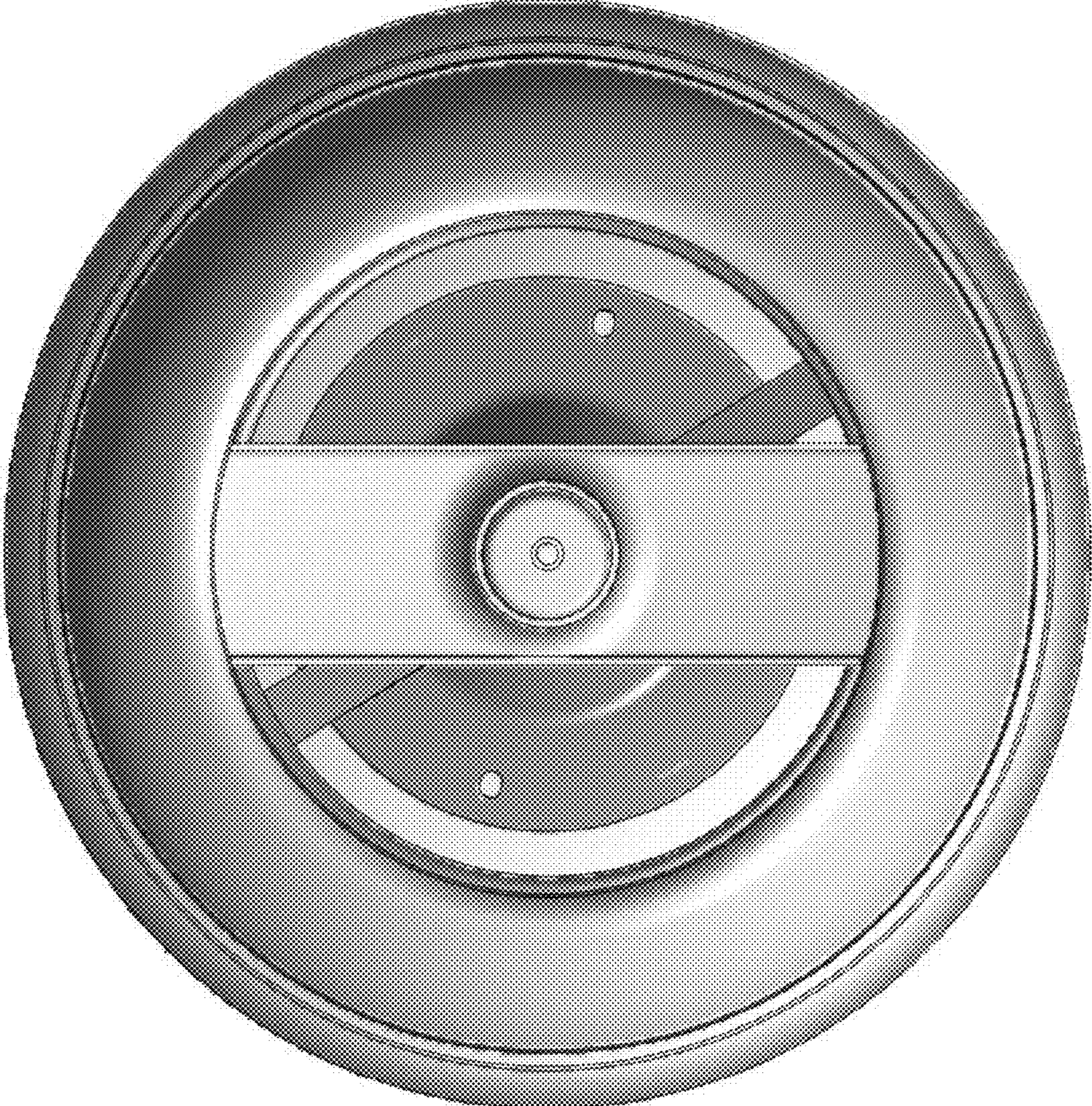


FIG. 3

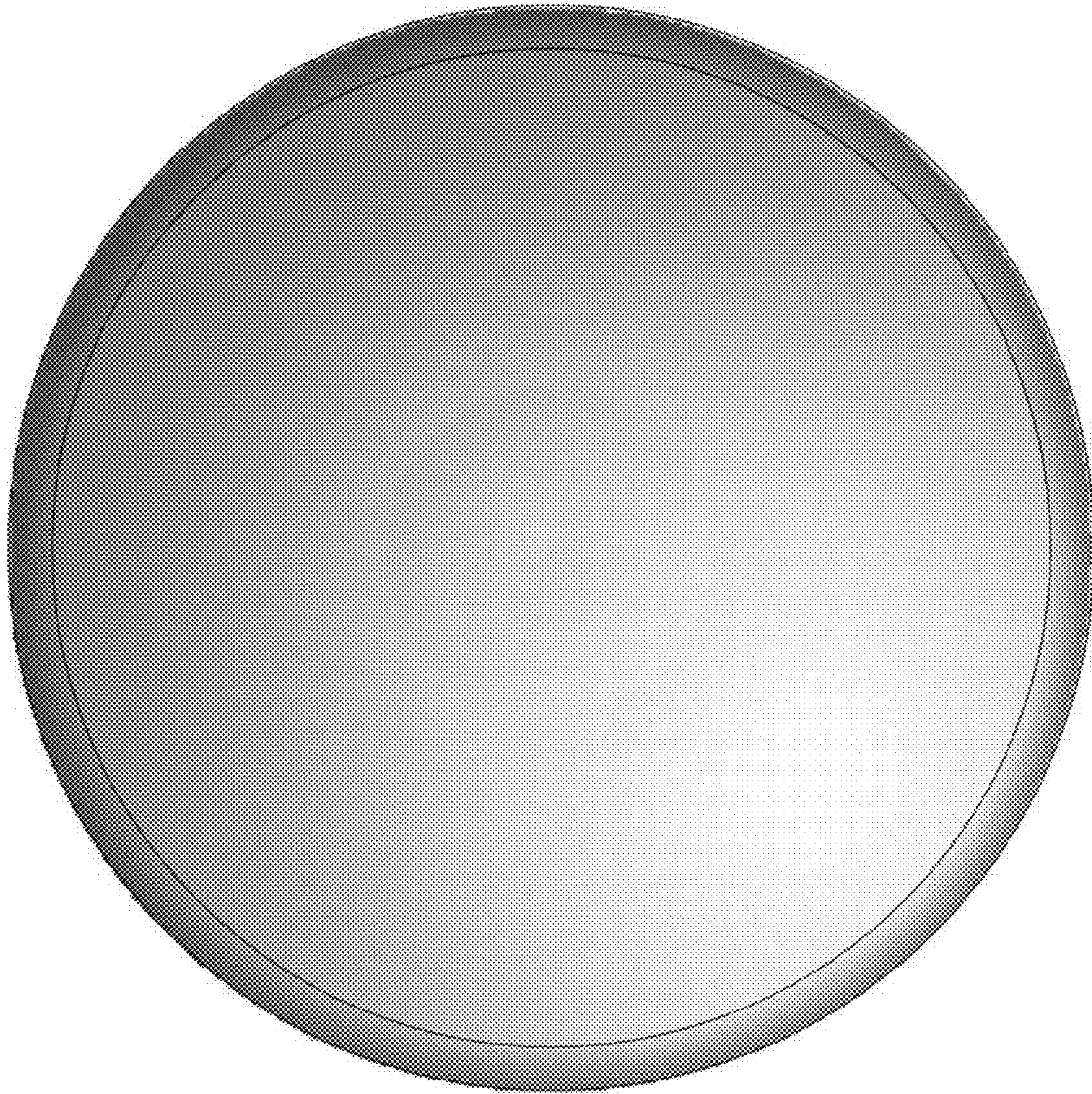


FIG. 4

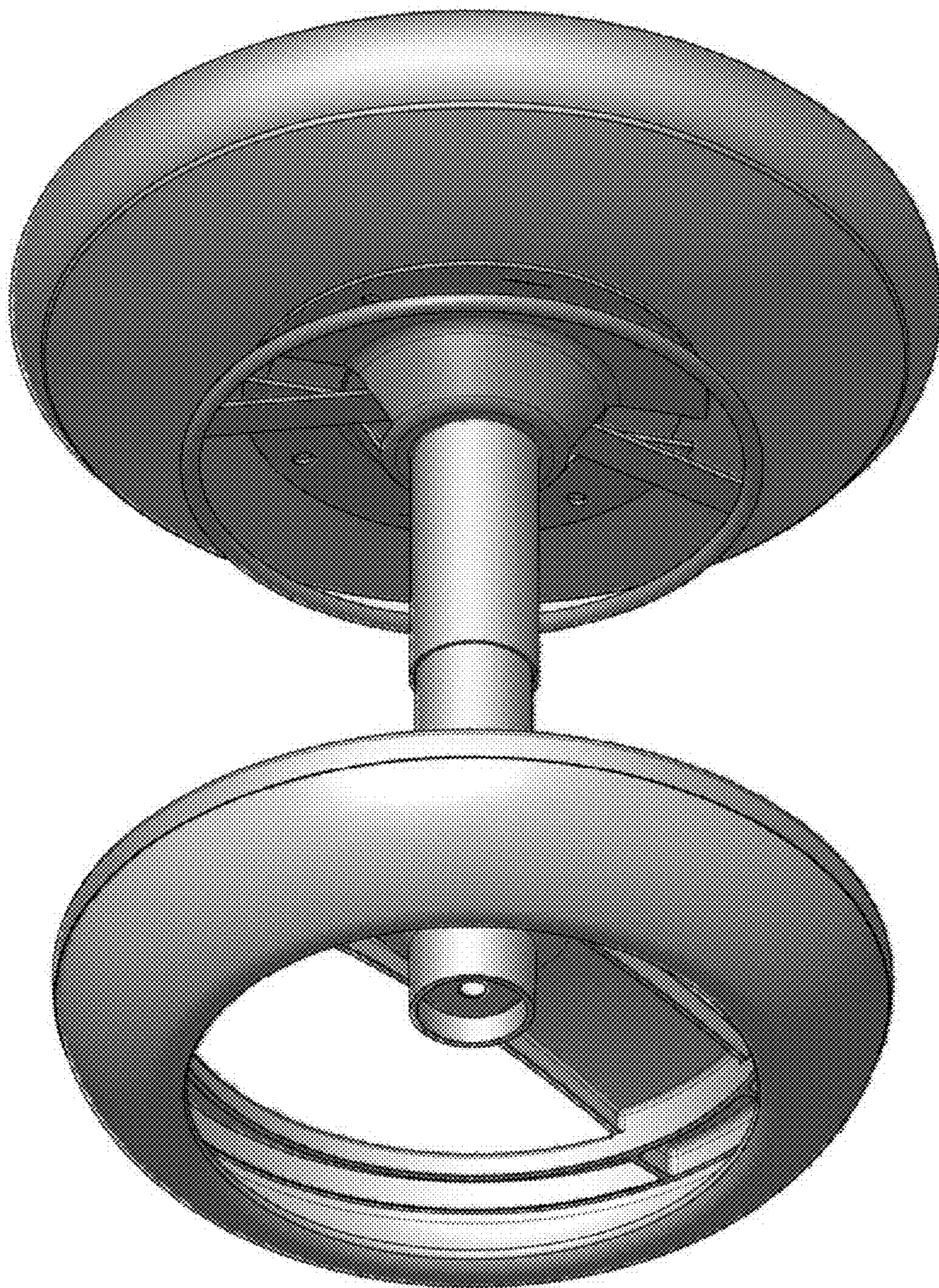


FIG. 5



FIG. 6

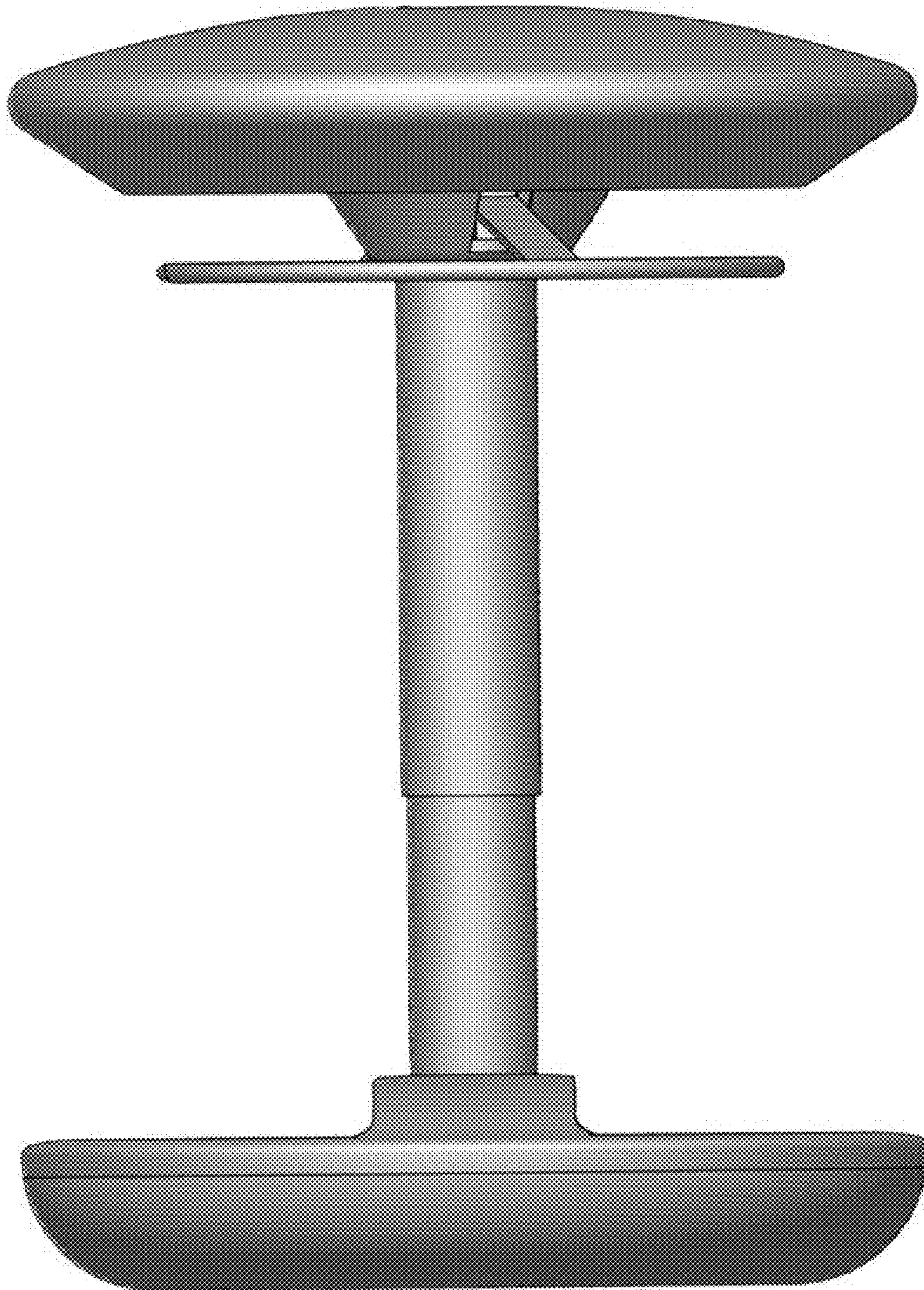


FIG. 7

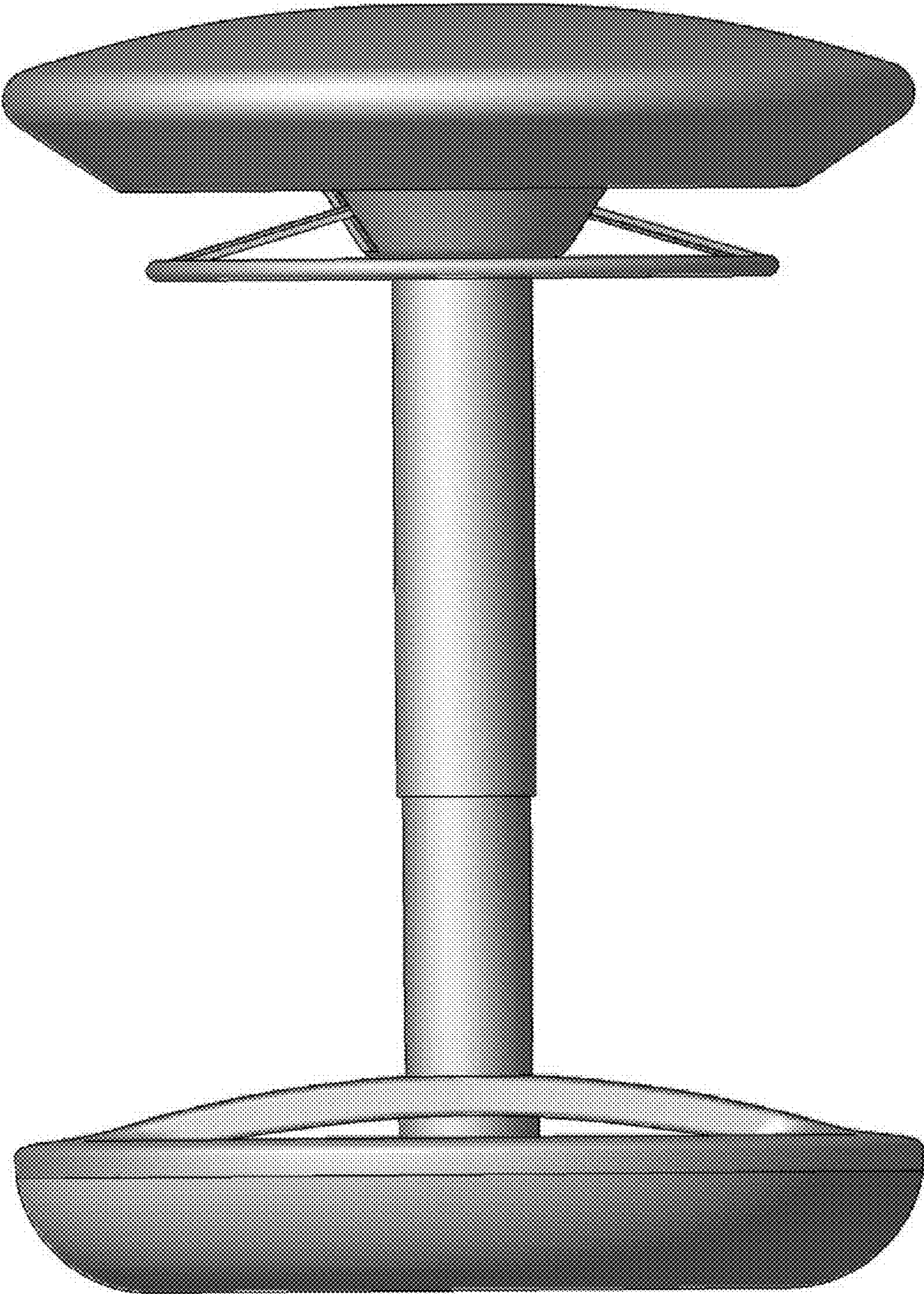


FIG. 8

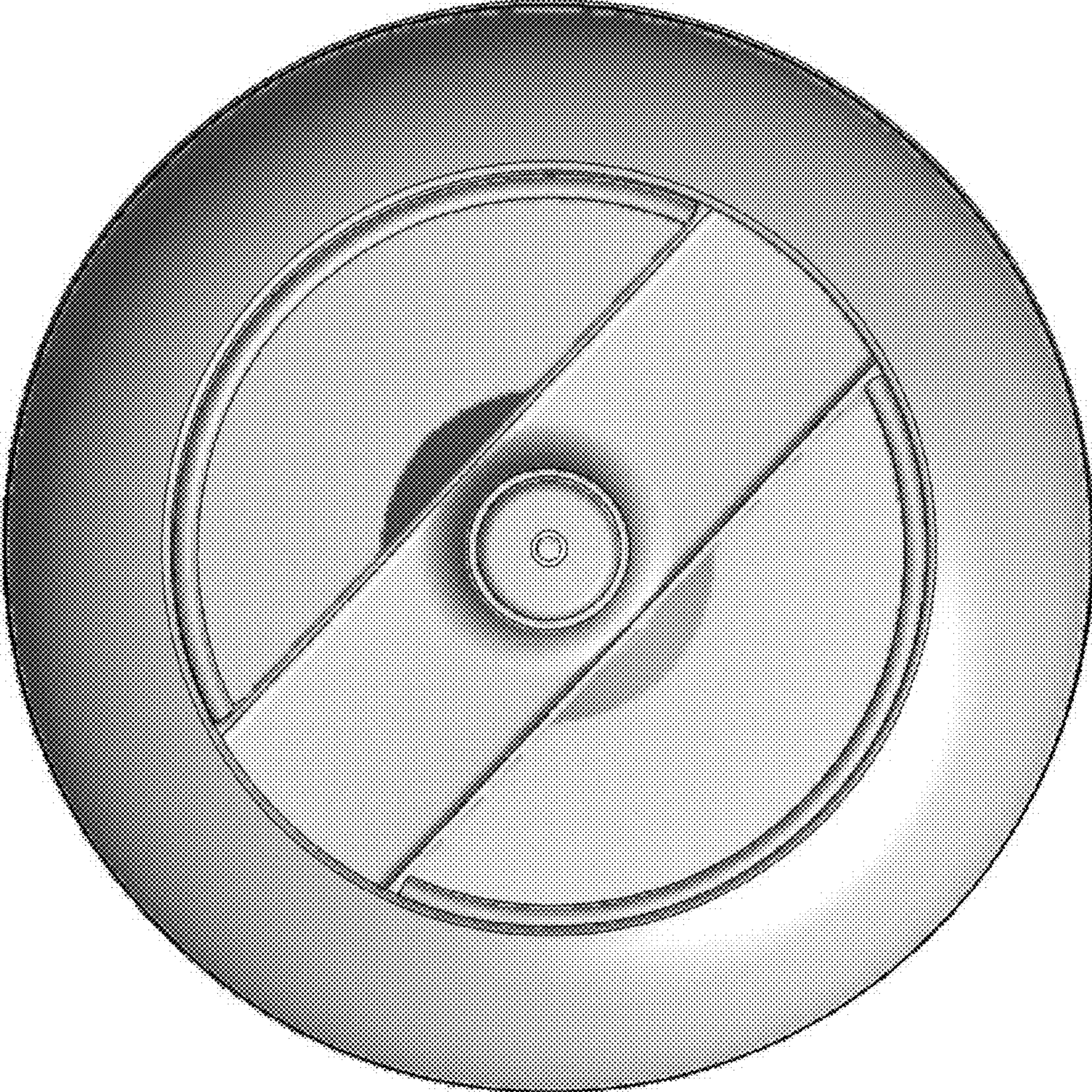


FIG. 9

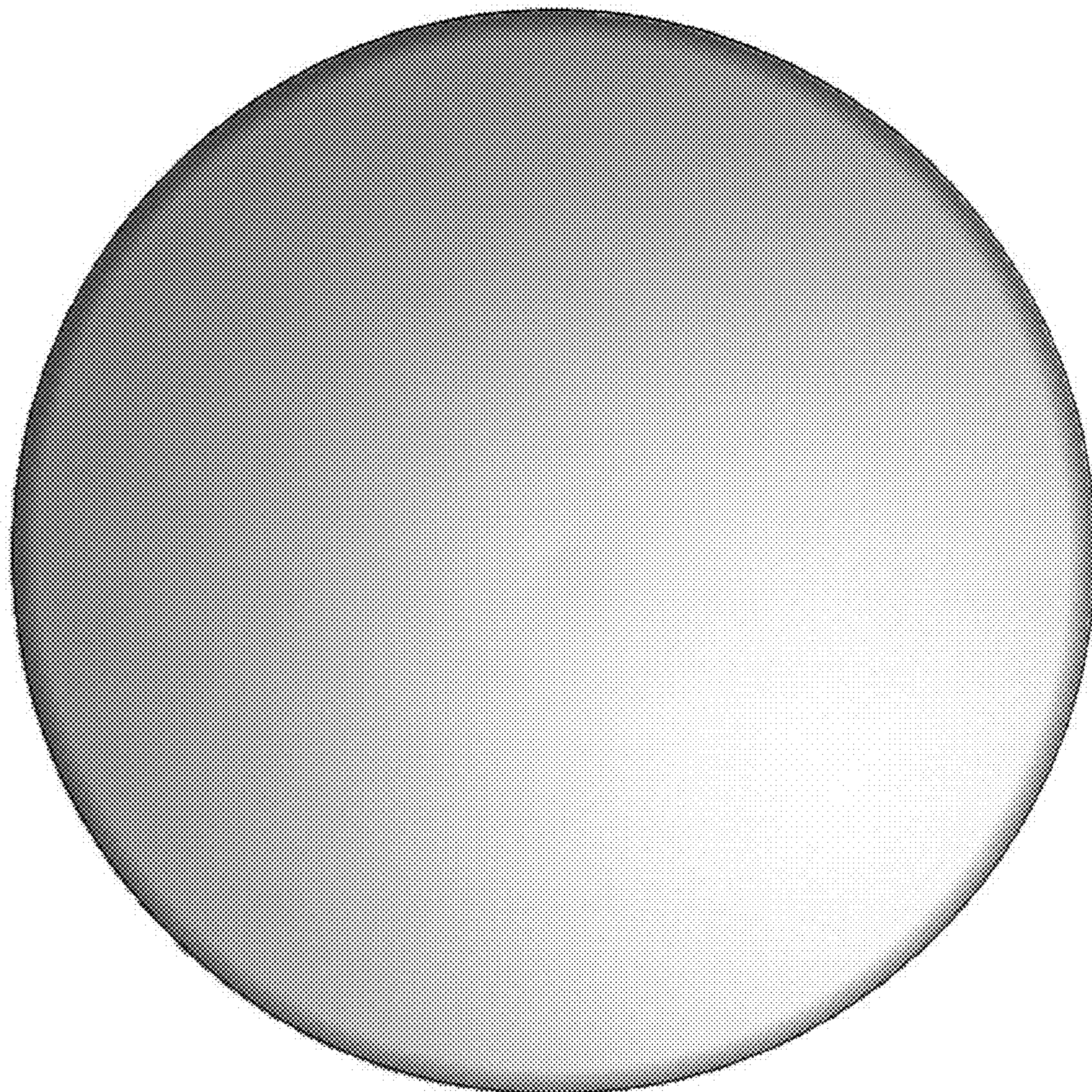


FIG. 10

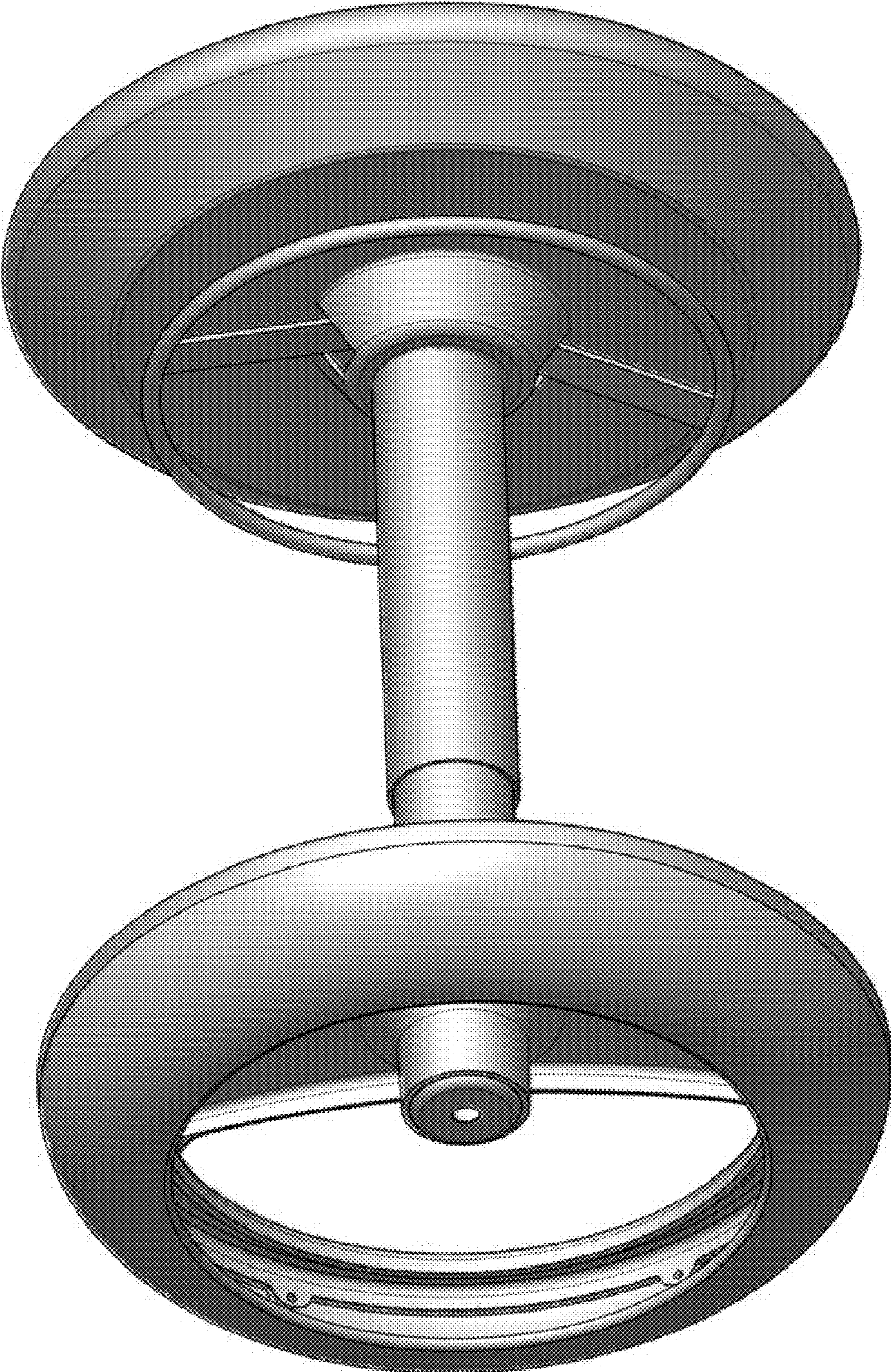


FIG. 11



FIG. 12