

US00D748919S

(12) **United States Design Patent**
Frey et al.

(10) **Patent No.:** **US D748,919 S**
(45) **Date of Patent:** **** Feb. 9, 2016**

- (54) **HANDLE UNIT FOR BASKET**
- (71) Applicants: **Paul Frey**, Frederick, MD (US);
Douglas A. Fauth, Monrovia, MD (US)
- (72) Inventors: **Paul Frey**, Frederick, MD (US);
Douglas A. Fauth, Monrovia, MD (US)
- (**) Term: **14 Years**
- (21) Appl. No.: **29/504,791**
- (22) Filed: **Oct. 9, 2014**

4,205,411 A * 6/1980 Cupp E06C 7/146
15/257.06
4,997,098 A * 3/1991 Buza B65D 25/32
220/770
5,324,094 A * 6/1994 Kain A47D 13/02
16/430

* cited by examiner

Primary Examiner — Holly Baynham
(74) *Attorney, Agent, or Firm* — Leveque Intellectual
Property Law, P.C.

(57) **CLAIM**
The ornamental design for a handle unit for basket, as shown
and described.

Related U.S. Application Data

- (62) Division of application No. 29/448,211, filed on Mar.
11, 2013, now Pat. No. Des. 715,053.
- (51) **LOC (10) Cl.** **03-01**
- (52) **U.S. Cl.**
USPC **D3/318**
- (58) **Field of Classification Search**
USPC D3/318
CPC A45F 5/10; A45F 5/14; B65D 33/06
See application file for complete search history.

DESCRIPTION

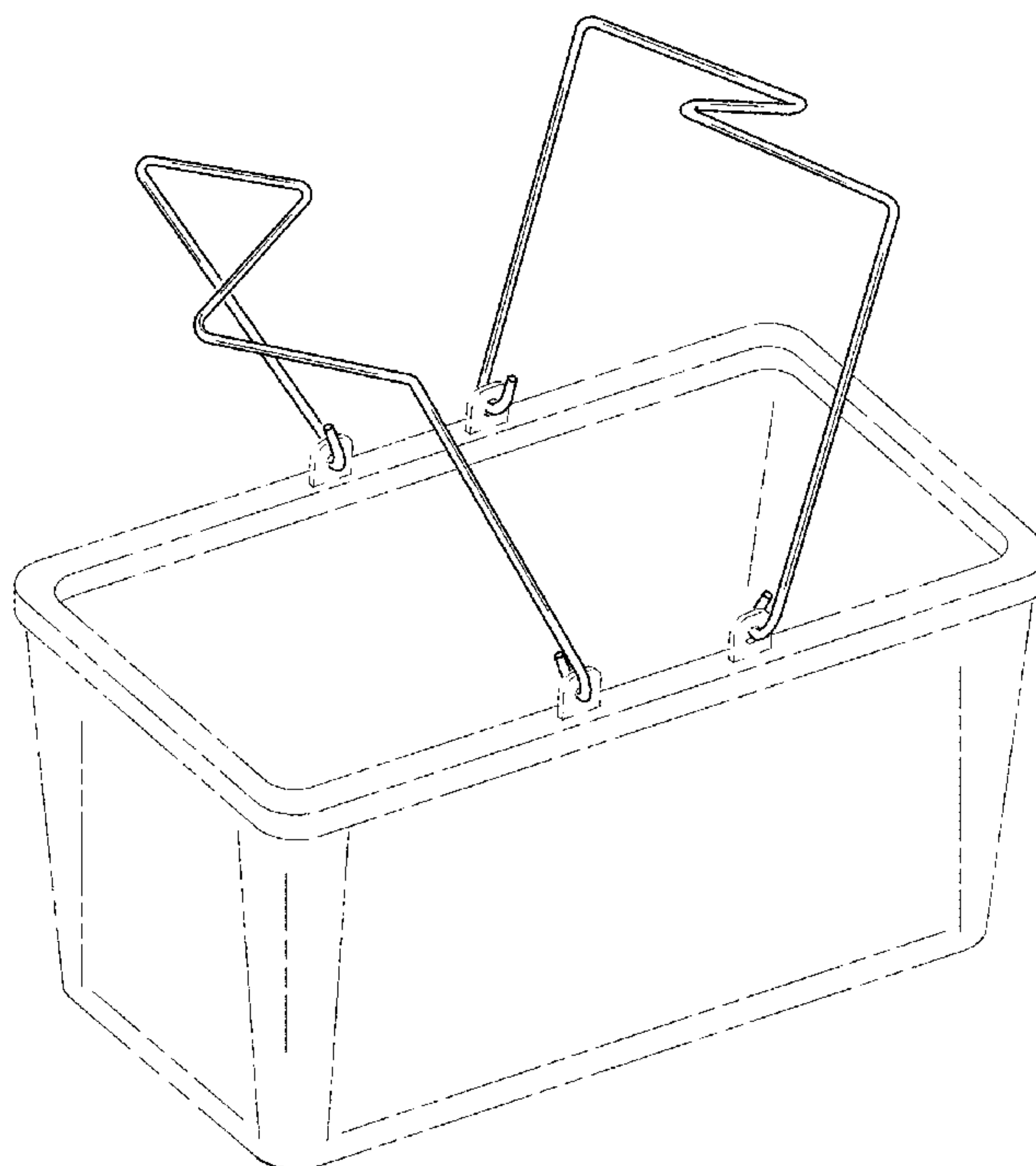
FIG. 1 is a perspective view of a handle unit for basket showing the handles in a raised position;
FIG. 2 is a top plan view of FIG. 1;
FIG. 3 is a bottom plan view of FIG. 1;
FIG. 4 is a left end elevational view of FIG. 1;
FIG. 5 is a right end elevational view of FIG. 1;
FIG. 6 is a front elevational view of FIG. 1;
FIG. 7 is a rear elevational view of FIG. 1;
FIG. 8 is a top plan view with the handles shown in a lowered position;
FIG. 9 is a front elevational view thereof; and,
FIG. 10 is a front perspective view.
The broken lines are for purposes of illustrating the environment in which the handle unit embodied in my design is used, and form no part of the claimed design.

(56) **References Cited**

U.S. PATENT DOCUMENTS

2,034,066 A * 3/1936 Stepbach B65D 25/2879
217/125

1 Claim, 10 Drawing Sheets



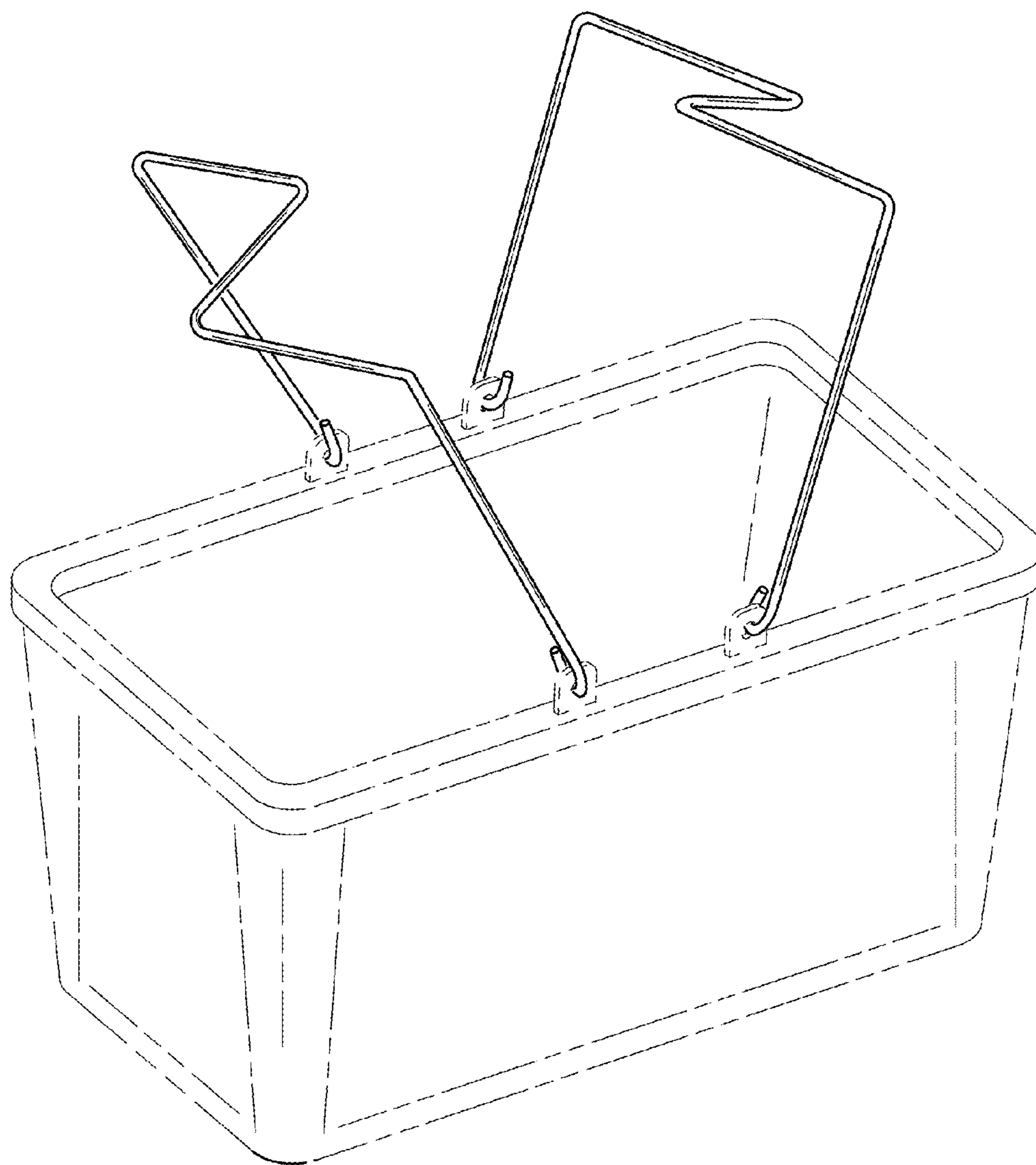


FIG. 1

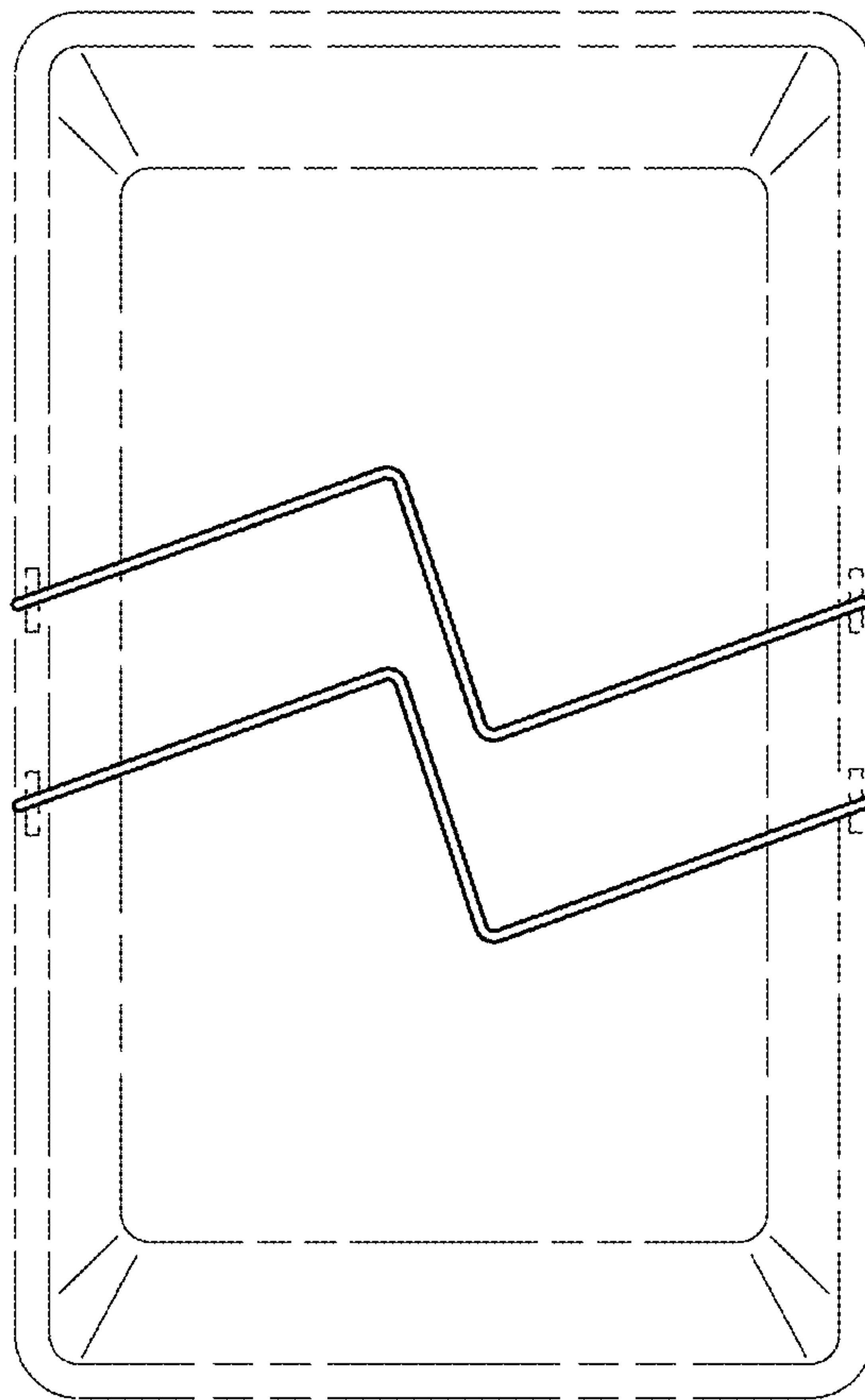


FIG. 2

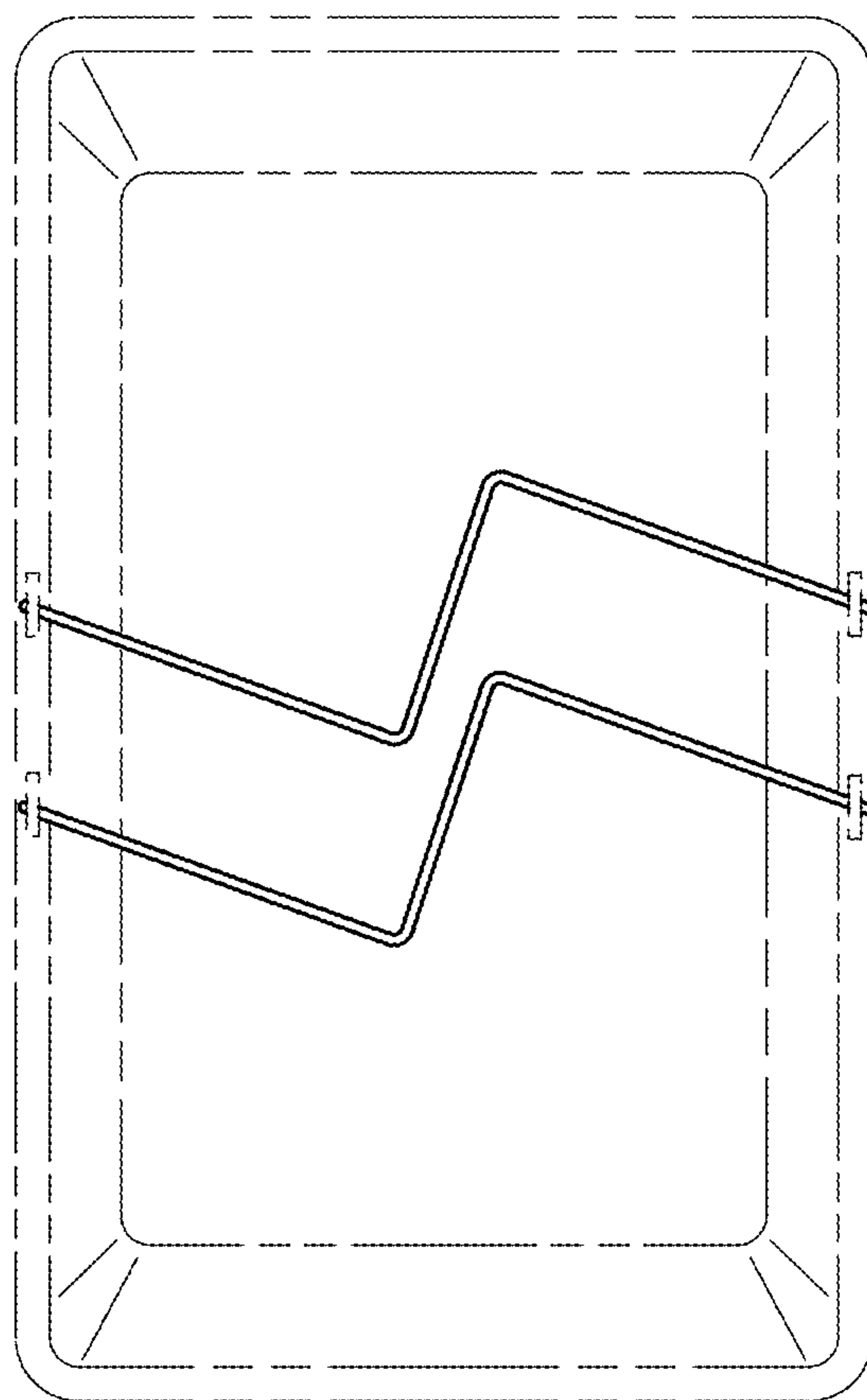


FIG. 3

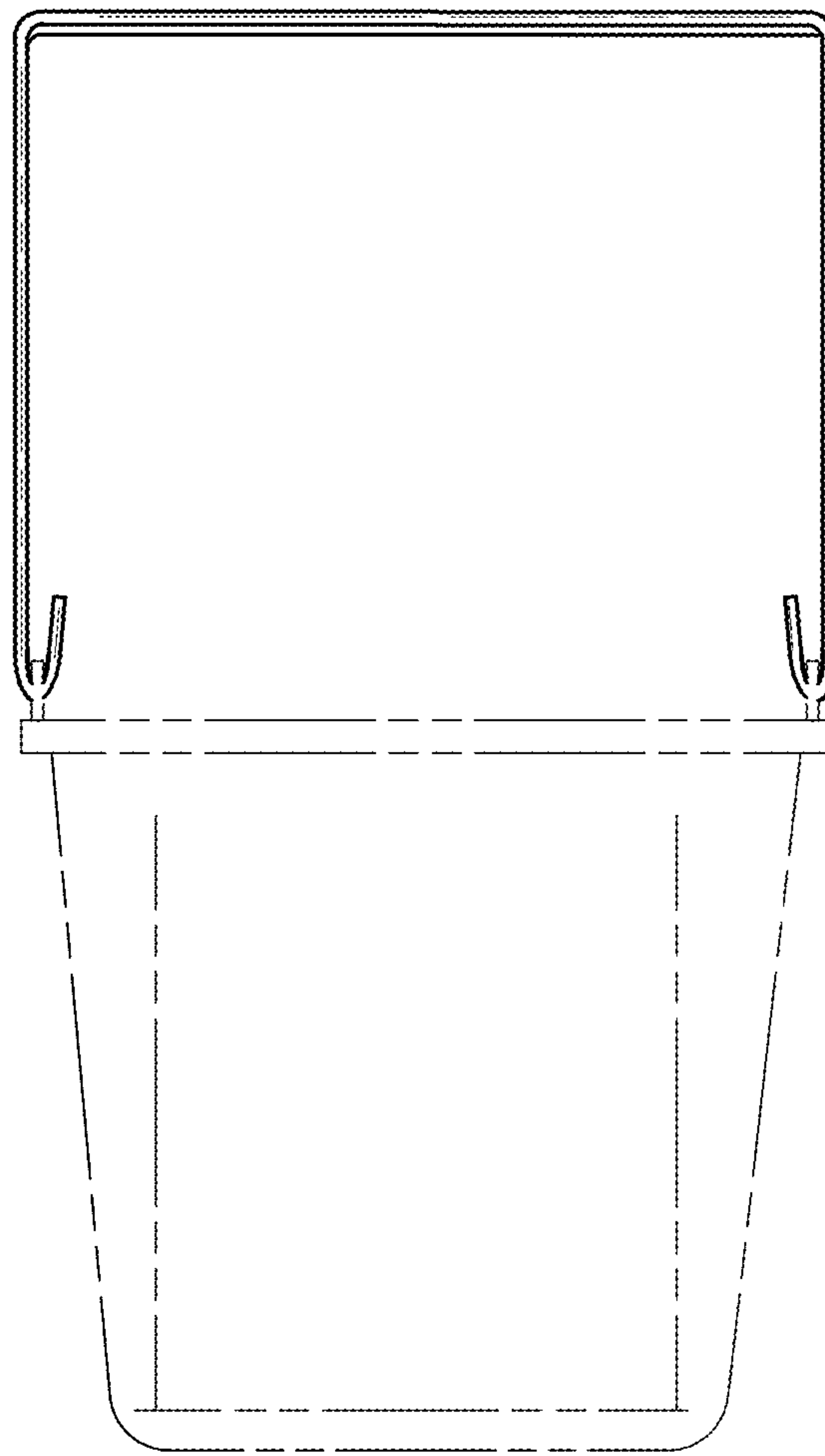


FIG. 4

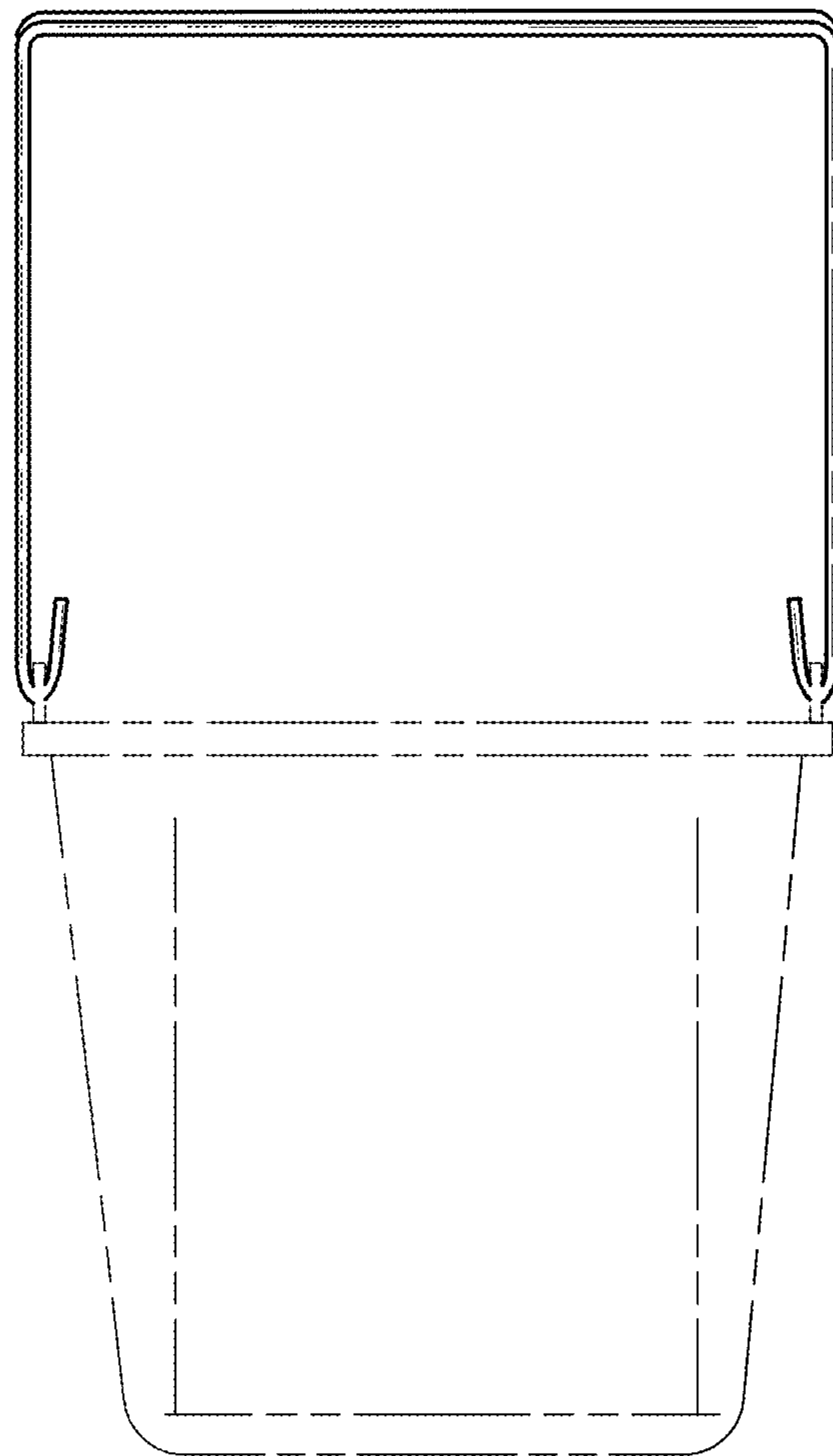


FIG. 5

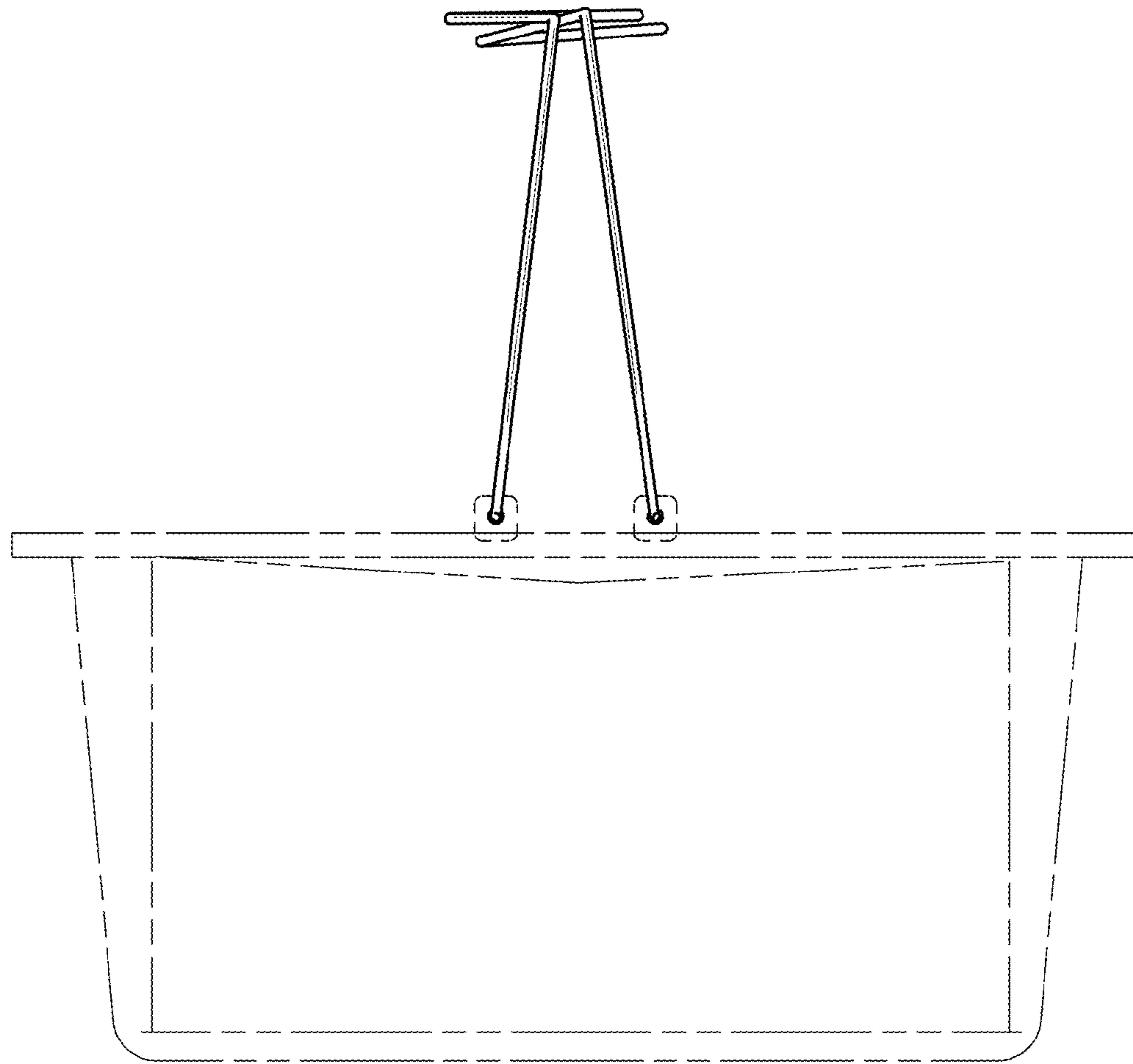


FIG. 6

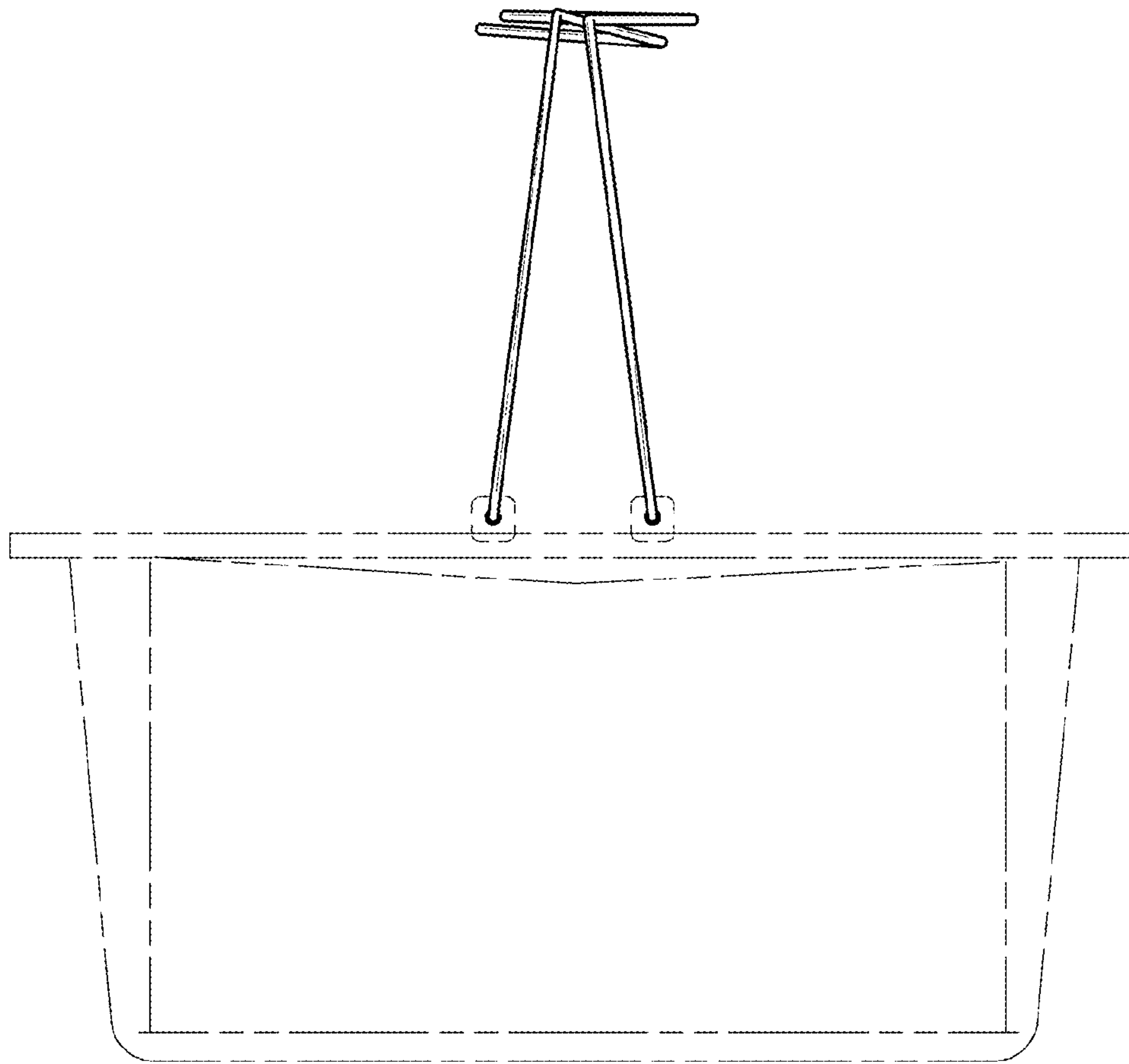


FIG. 7

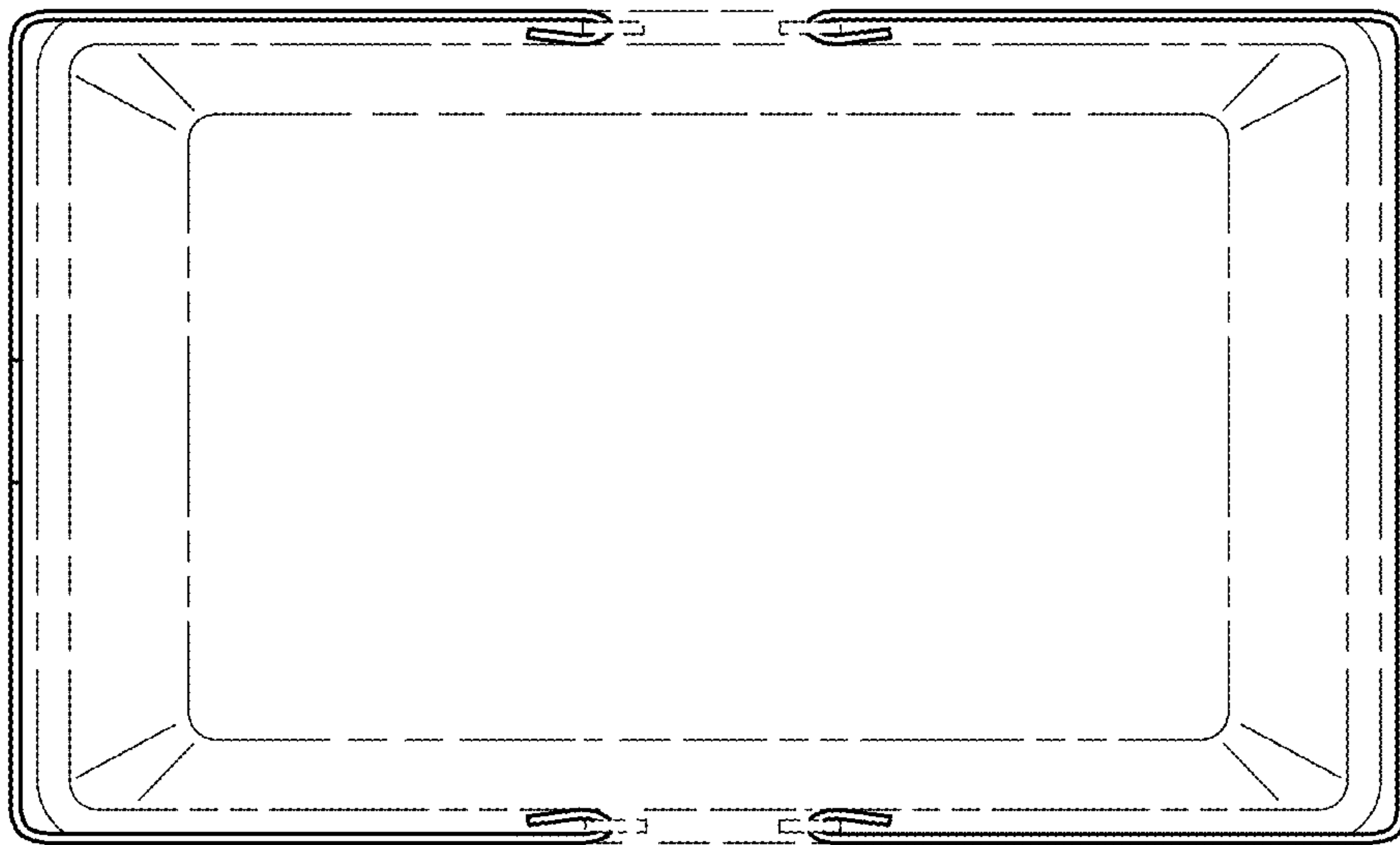


FIG. 8

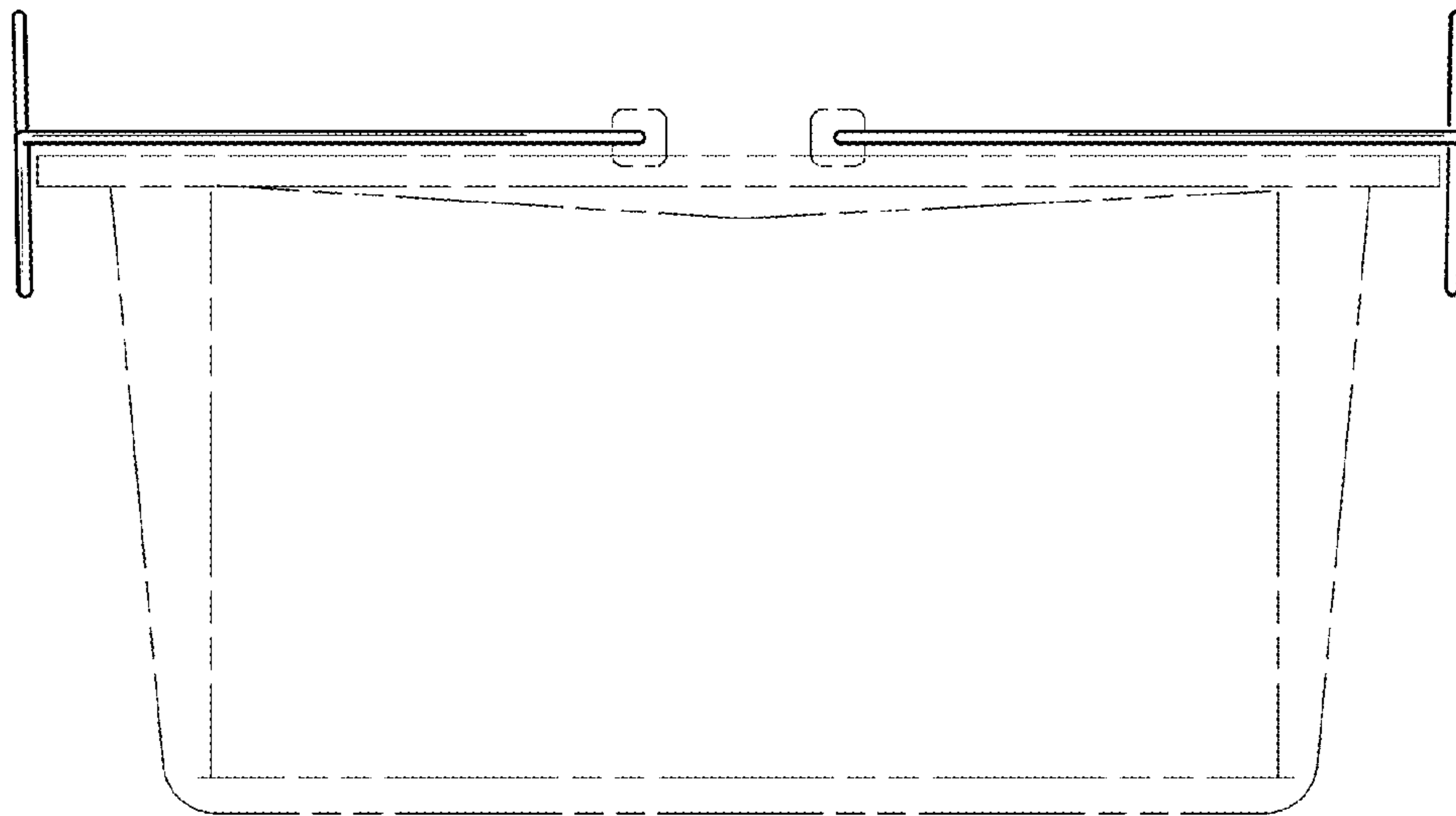


FIG. 9

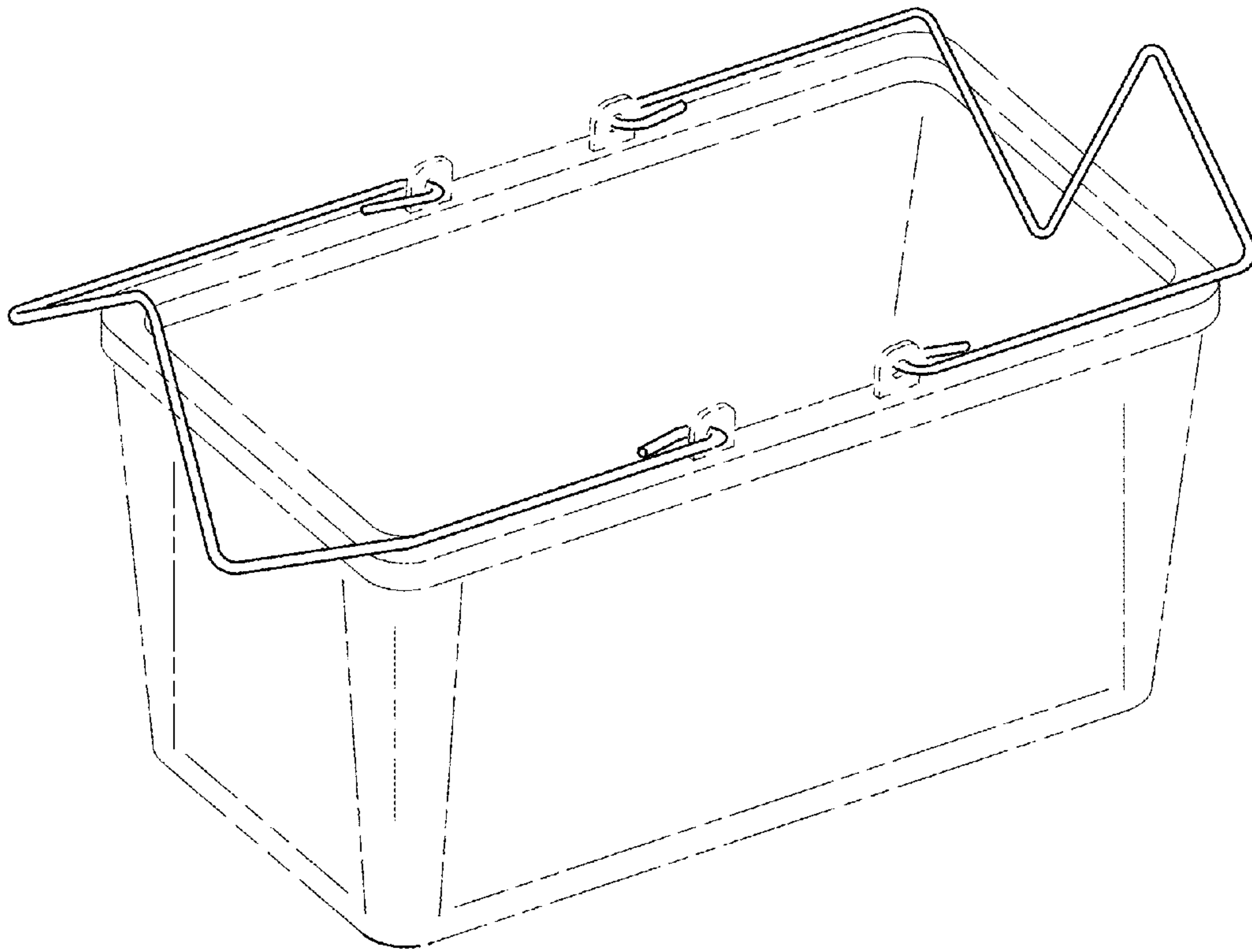


FIG. 10