



US00D748916S

(12) **United States Design Patent**
Nilsson

(10) **Patent No.:** **US D748,916 S**

(45) **Date of Patent:** **** Feb. 9, 2016**

(54) **COMBINED STORAGE CONTAINER AND LID**

(71) Applicant: **Elfa International AB**, Vastervik (SE)

(72) Inventor: **Peter Nilsson**, Vastervik (SE)

(73) Assignee: **Elfa International AB**, Vastervik (SE)

(**) Term: **14 Years**

(21) Appl. No.: **29/508,164**

(22) Filed: **Nov. 4, 2014**

(30) **Foreign Application Priority Data**

May 14, 2014 (EM) 002463752

(51) **LOC (10) Cl.** **03-01**

(52) **U.S. Cl.**
USPC **D3/302**

(58) **Field of Classification Search**

USPC D3/905, 276–284, 291, 294, 295, 298,
D3/901, 302, 272, 273, 274, 903, 304,
D3/307–309, 315, 314, 310, 312;
206/372–379, 508; 220/523–528, 826,
220/844

CPC B62B 2206/006; B65D 1/22; B65D
2543/00194; B65D 21/0209; B65D
2543/00296; B65D 21/02

See application file for complete search history.

(56) **References Cited**

U.S. PATENT DOCUMENTS

3,087,771 A 4/1963 Pari
3,484,035 A 12/1969 Swett et al.
D262,839 S * 2/1982 Daenen et al. D3/302

(Continued)

FOREIGN PATENT DOCUMENTS

EP 0 176 904 A2 4/1986
GB 948898 A 11/1962
WO 2010/121295 A1 10/2010

Primary Examiner — Jennifer Rivard

Assistant Examiner — April Rivas

(74) *Attorney, Agent, or Firm* — James J. Murphy; Max Ciccarelli; Thompson & Knight LLP

(57) **CLAIM**

I claim the ornamental design for a combined storage container and lid, as shown and described.

DESCRIPTION

FIG. 1 is a top perspective view of a combined storage container and lid according to a first embodiment;

FIG. 2 is a bottom perspective view of the combined storage container and lid of FIG. 1;

FIG. 3 is a front elevational view of the combined storage container and lid of FIG. 1;

FIG. 4 is a right side elevational view of the combined storage container and lid of FIG. 1;

FIG. 5 is a back elevational view of the combined storage container and lid of FIG. 1;

FIG. 6 is a left side elevational view of the combined storage container and lid of FIG. 1;

FIG. 7 is a top plan view of the combined storage container and lid of FIG. 1;

FIG. 8 is a top perspective view of a combined storage container and lid according to a second embodiment;

FIG. 9 is a bottom perspective view of the combined storage container and lid of FIG. 8;

FIG. 10 is a front elevational view of the storage container and lid of FIG. 8;

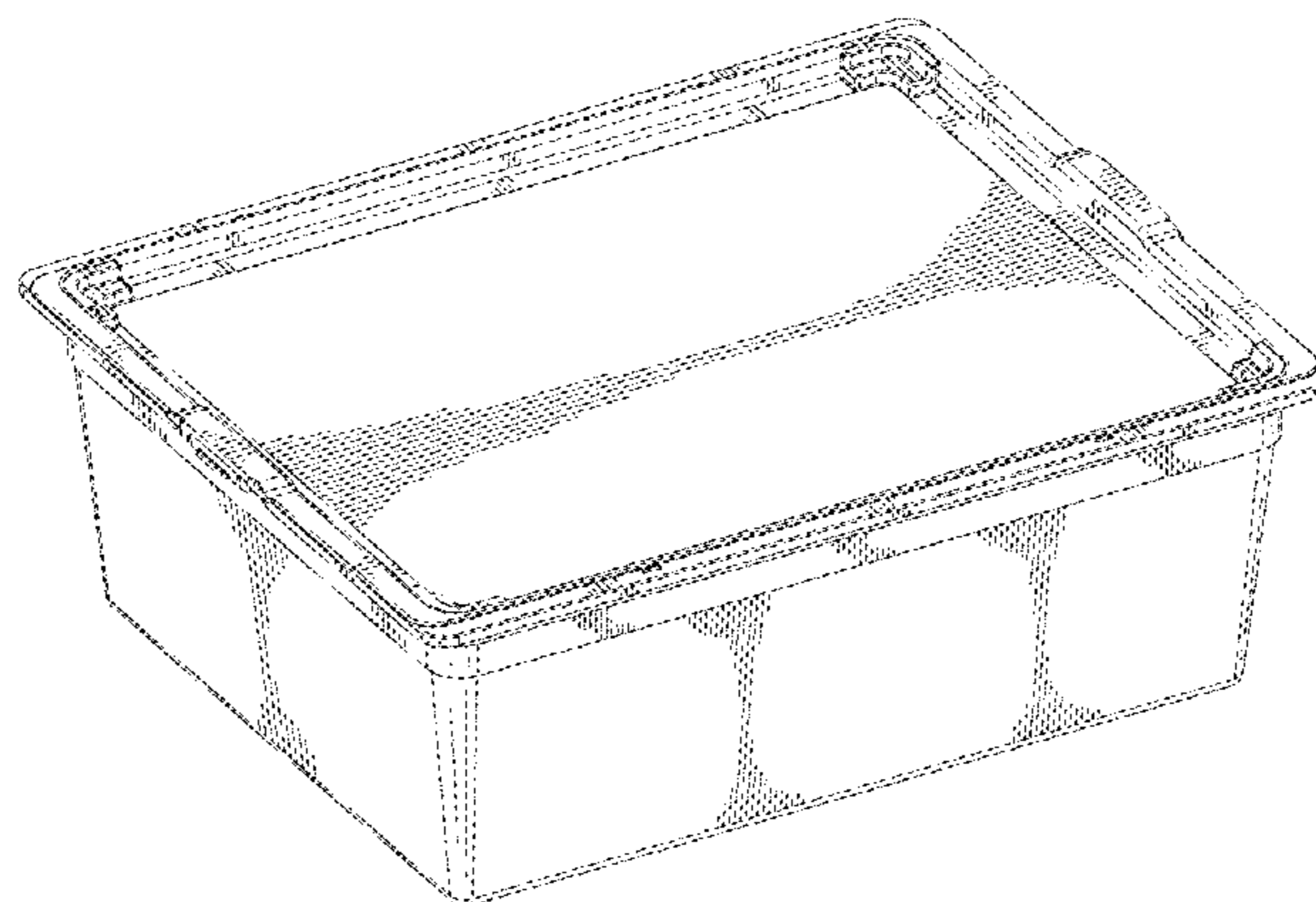
FIG. 11 is a right side elevational view the combined storage container and lid of FIG. 8;

FIG. 12 is a back elevational view of the storage container and lid of FIG. 8;

FIG. 13 is a left side elevational view of the storage container and lid of FIG. 8; and,

FIG. 14 is a top plan view of the combined storage container and lid of FIG. 8.

1 Claim, 14 Drawing Sheets



(56)

References Cited

U.S. PATENT DOCUMENTS

4,795,041 A 1/1989 Remmers
 D333,094 S * 2/1993 Zutler D9/423
 D361,715 S * 8/1995 Hauptert D9/424
 D419,302 S 1/2000 Hardy et al.
 D421,183 S * 2/2000 Koskinen D3/312
 D431,907 S 10/2000 Andujar et al.
 D449,074 S 10/2001 Andujar
 D450,481 S 11/2001 Post
 D451,675 S 12/2001 Hardy et al.
 D453,027 S 1/2002 Andujar
 D476,155 S 6/2003 Post et al.
 D481,233 S 10/2003 Post et al.
 D483,945 S * 12/2003 Tanji D3/302
 D486,981 S 2/2004 Post et al.
 D488,334 S 4/2004 Post et al.
 6,718,635 B2 4/2004 Cheng et al.
 D498,375 S 11/2004 Post et al.
 D501,105 S 1/2005 Post et al.
 D503,059 S 3/2005 Post et al.
 D513,874 S 1/2006 Hardy et al.
 D516,347 S 3/2006 Post et al.
 D516,814 S 3/2006 Post et al.

D528,300 S 9/2006 Hardy et al.
 D530,517 S 10/2006 Hardy et al.
 7,270,245 B2 9/2007 Cheng et al.
 D554,896 S 11/2007 Post
 D565,334 S 4/2008 Post et al.
 D567,553 S 4/2008 Post et al.
 D582,161 S 12/2008 Hardy et al.
 D584,055 S 1/2009 Hardy et al.
 D593,324 S * 6/2009 Simas D3/302
 D597,383 S * 8/2009 Masterton et al. D7/629
 D632,080 S 2/2011 Hardy et al.
 D639,561 S 6/2011 Hardy et al.
 D643,628 S * 8/2011 Monarch D3/302
 D653,063 S 1/2012 Post et al.
 D654,690 S * 2/2012 Sofy et al. D3/309
 8,381,909 B2 * 2/2013 Hernandez et al. 206/503
 D710,098 S * 8/2014 Horowitz D3/276
 D720,927 S * 1/2015 Liao et al. D3/273
 D722,770 S * 2/2015 Lin D3/273
 2003/0102315 A1 6/2003 Cheng et al.
 2005/0077299 A1 4/2005 Cheng et al.
 2007/0187277 A1 8/2007 Furlong
 2012/0168433 A1 7/2012 Cheng et al.
 2013/0063012 A1 3/2013 Lu
 2014/0042113 A1 2/2014 Cheng et al.

* cited by examiner

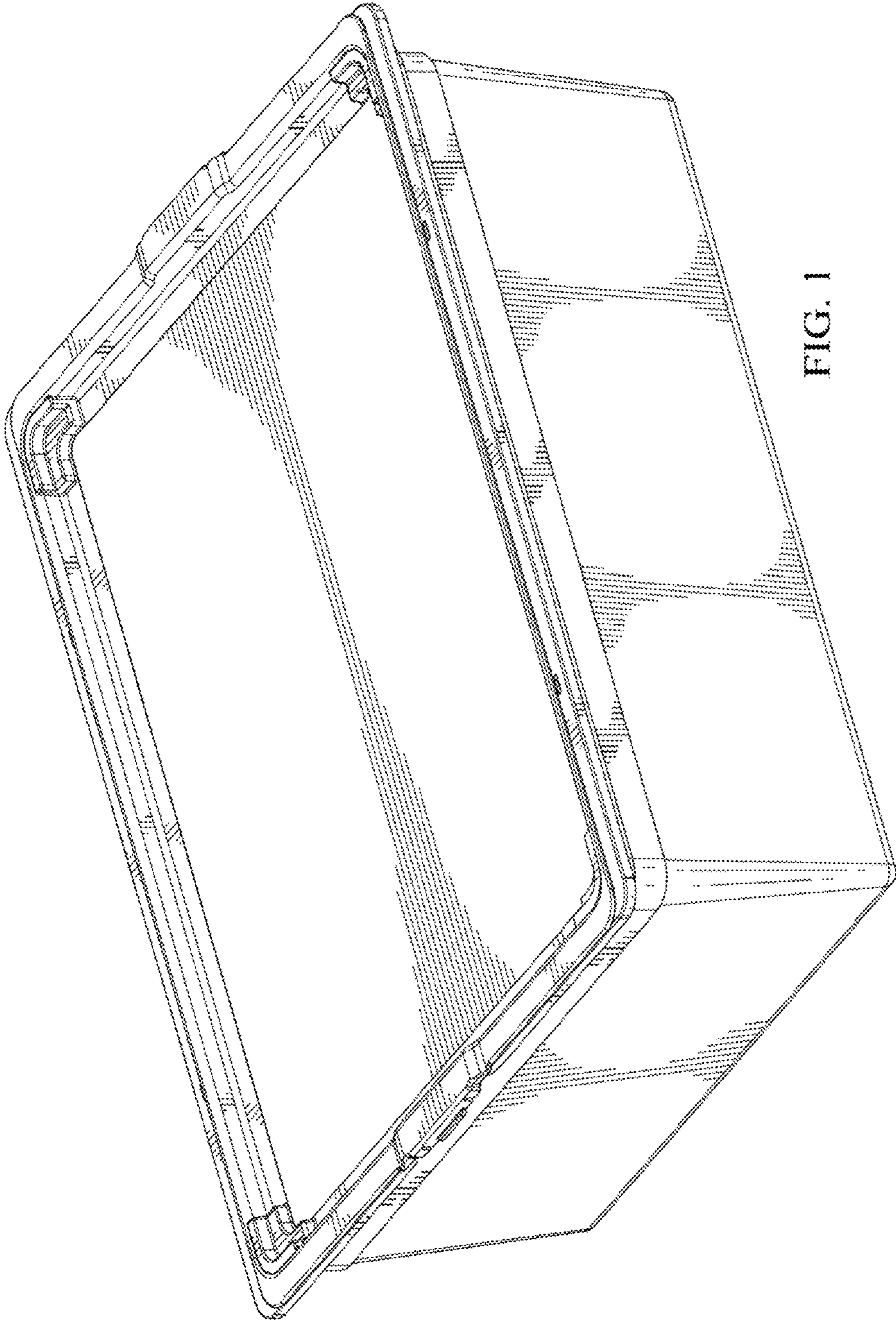


FIG. 1

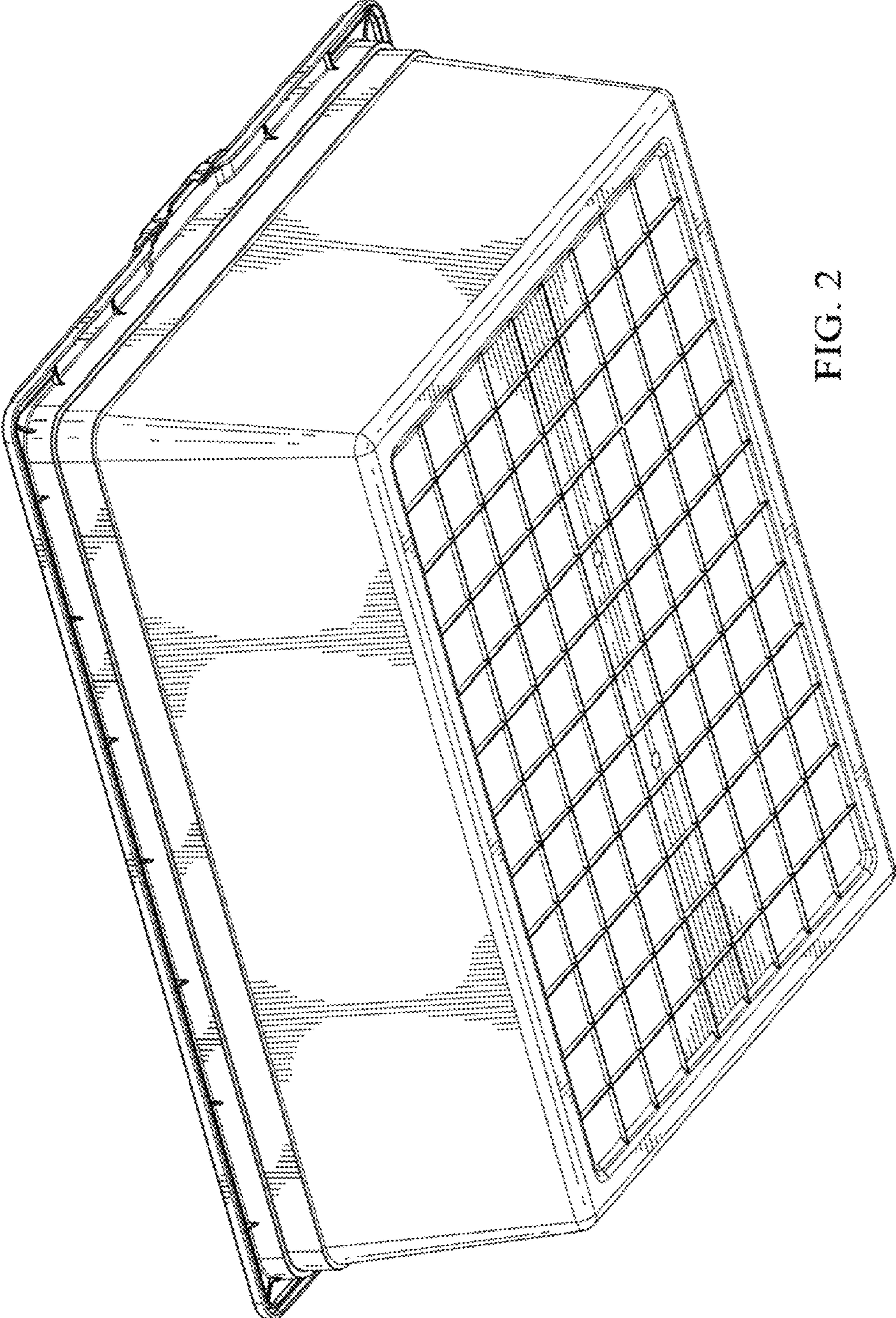


FIG. 2

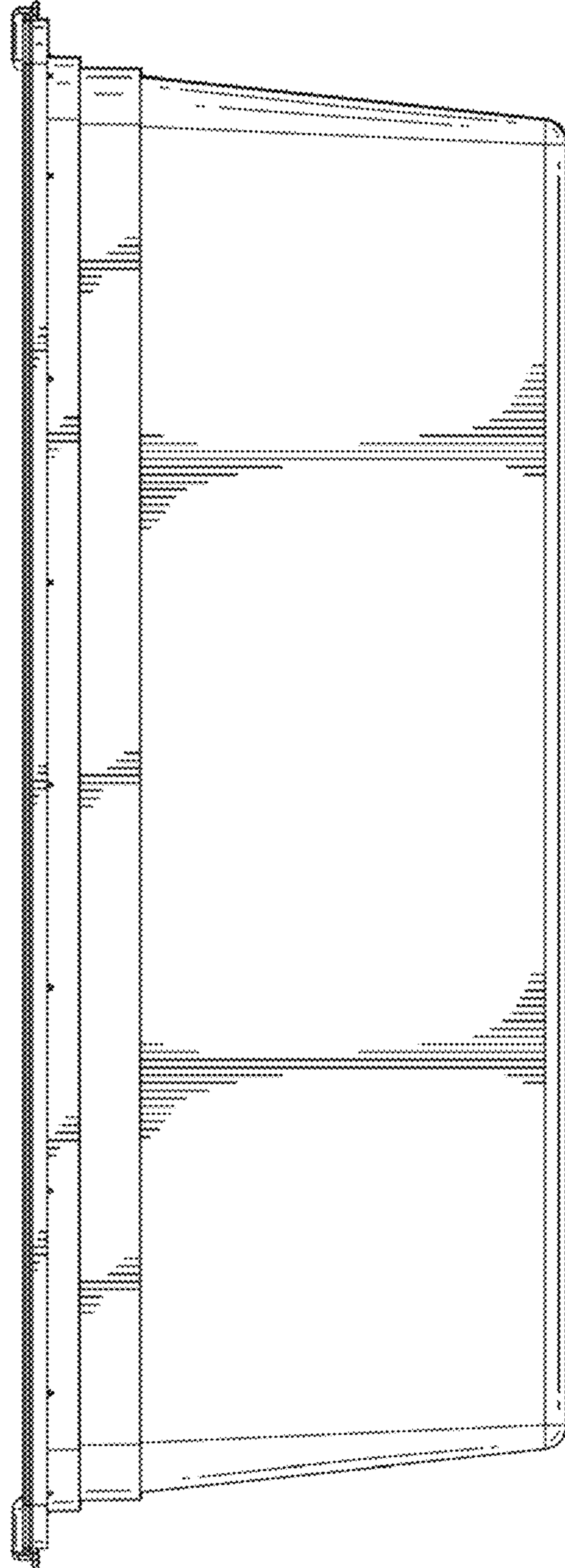


FIG. 3

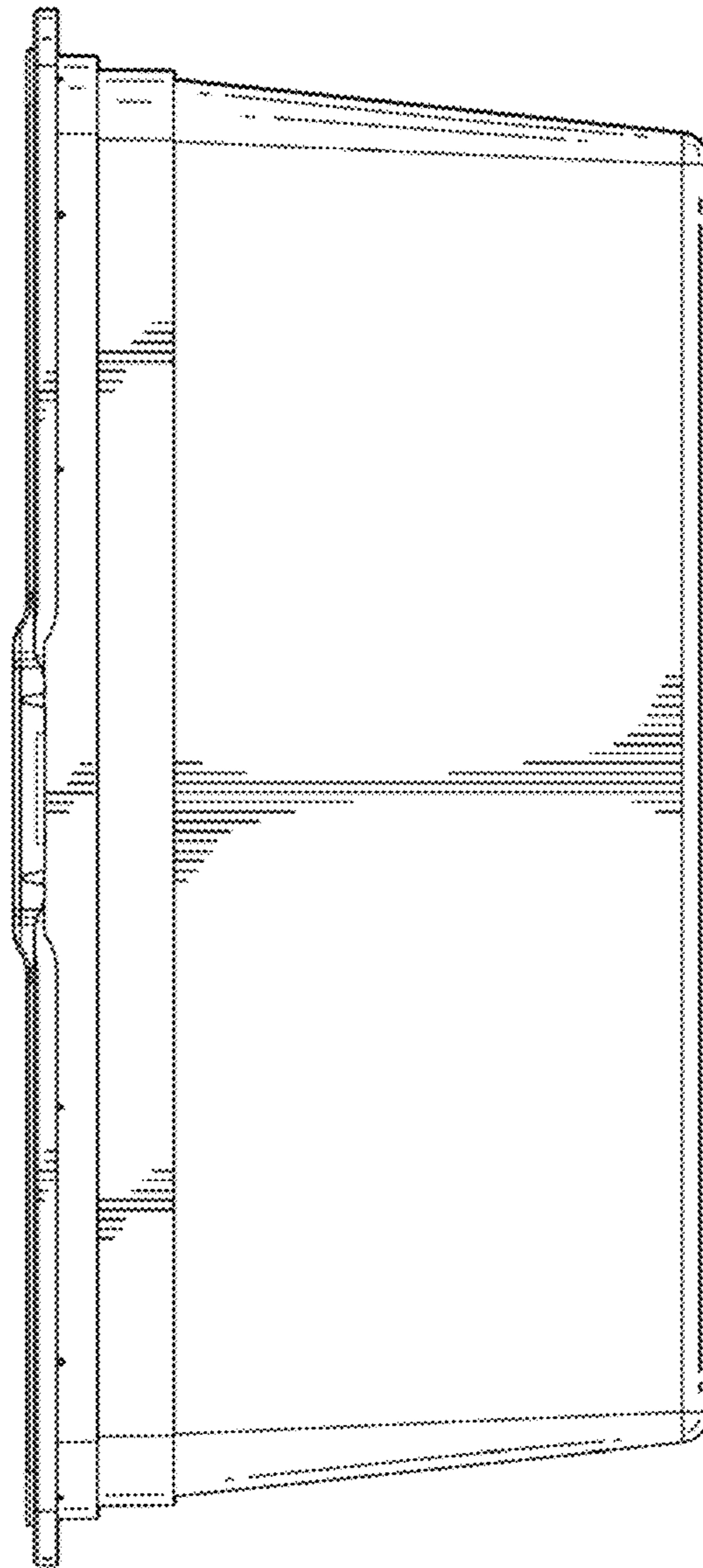


FIG. 4

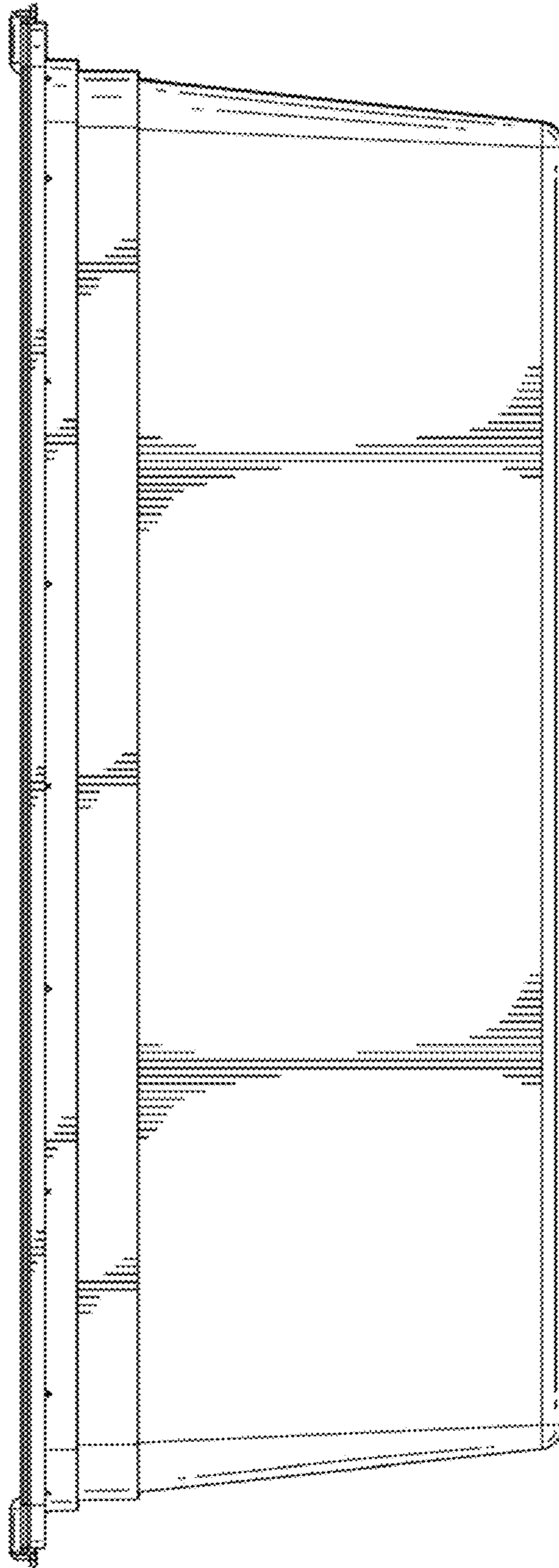


FIG. 5

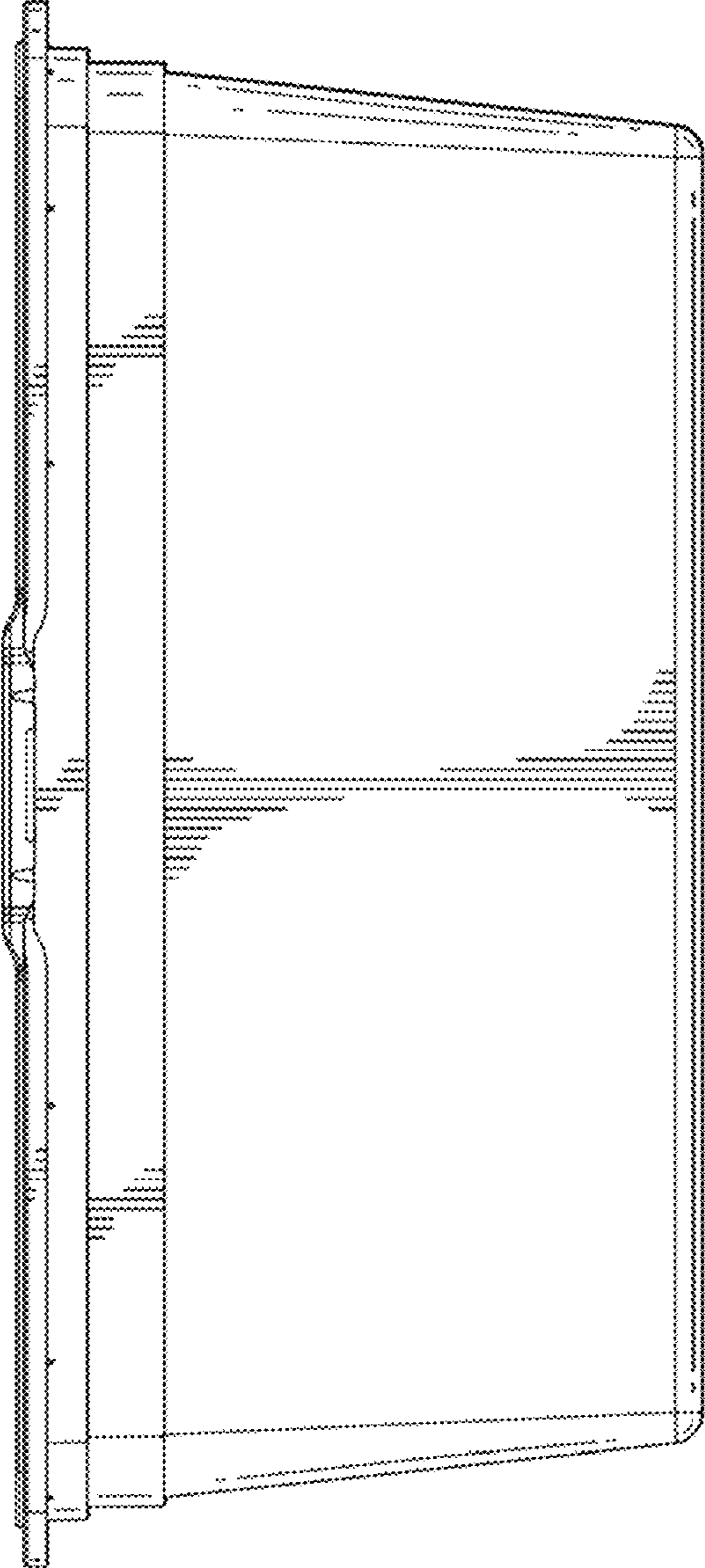
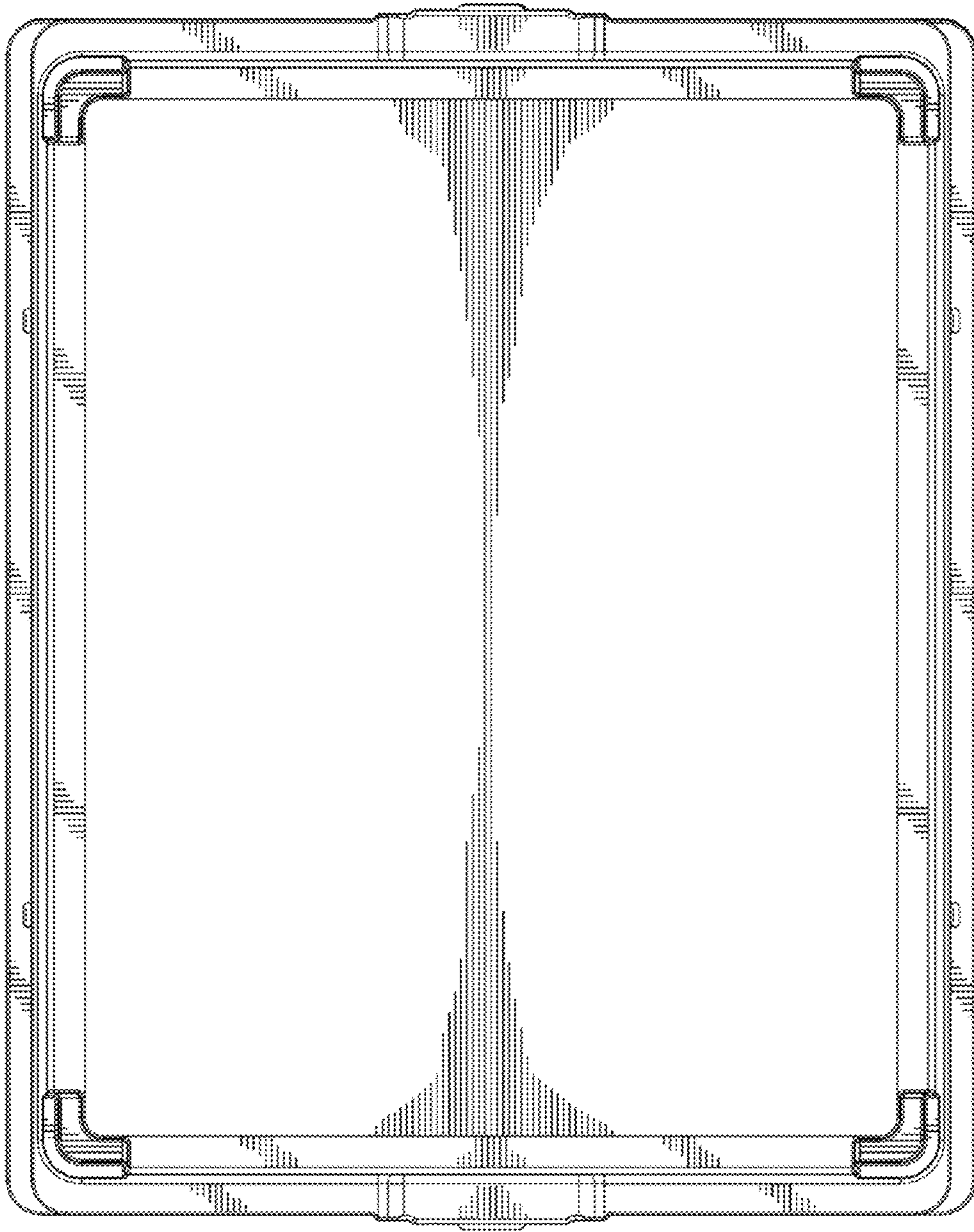


FIG. 6

FIG. 7



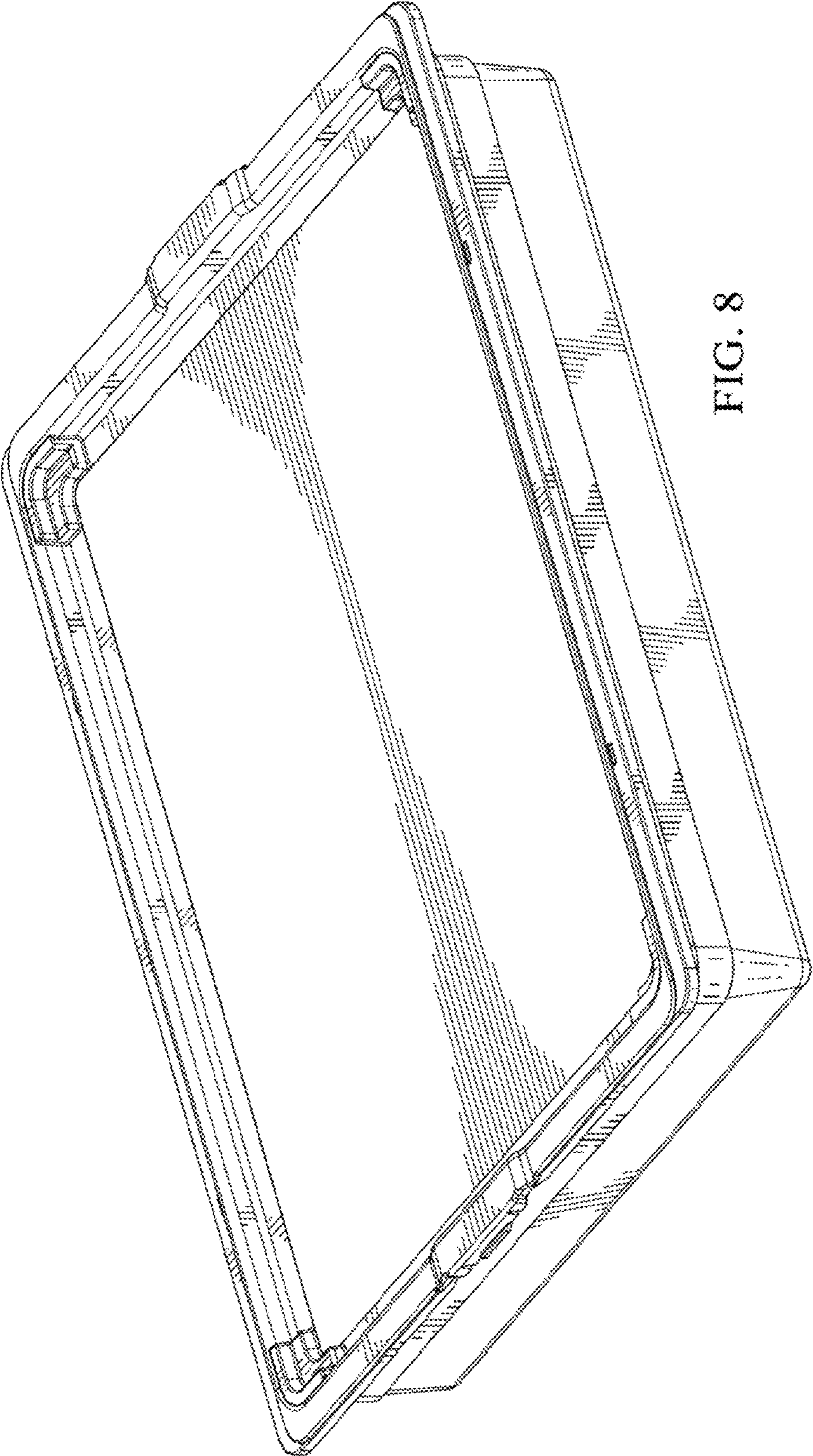


FIG. 8

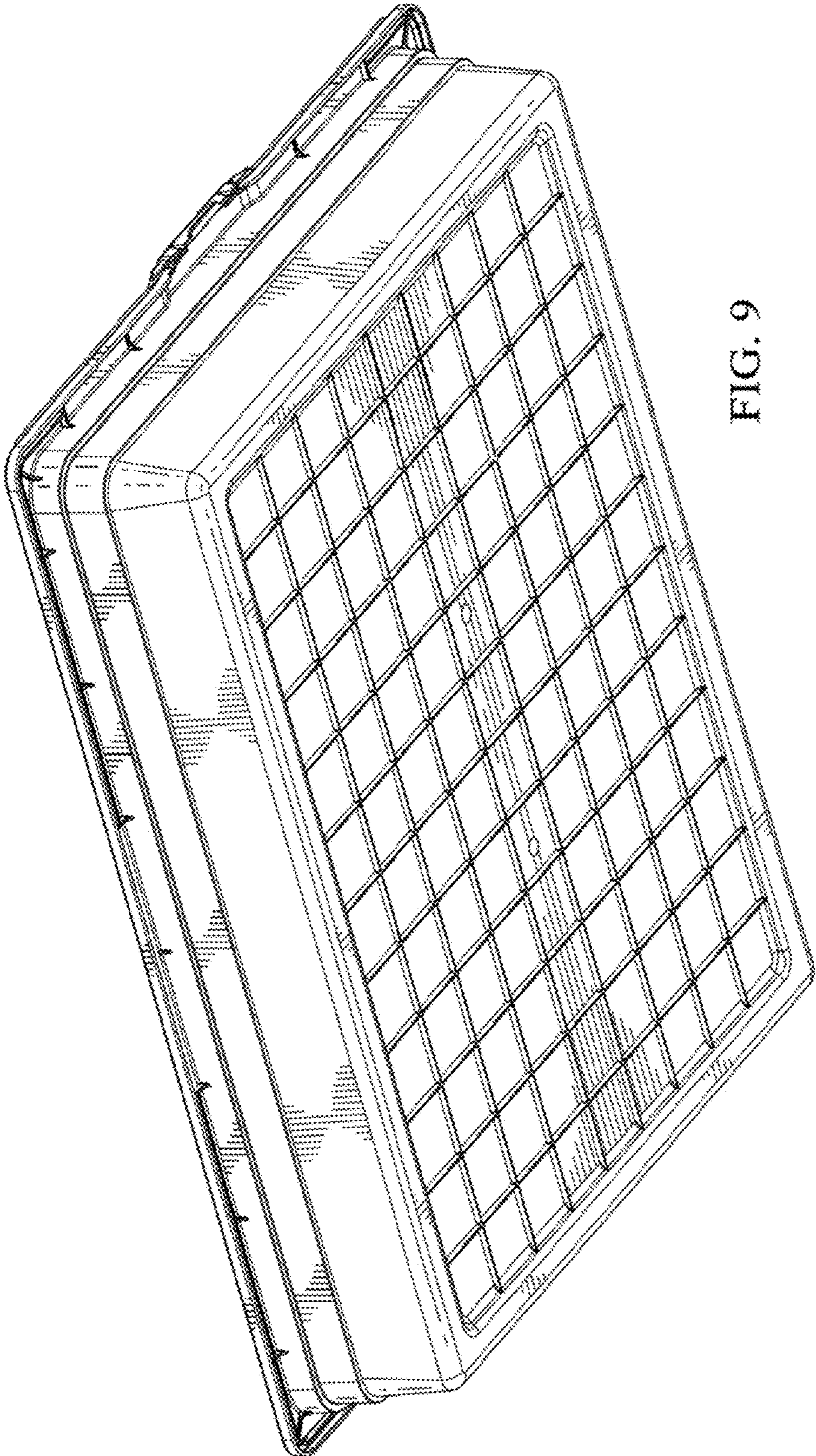


FIG. 9

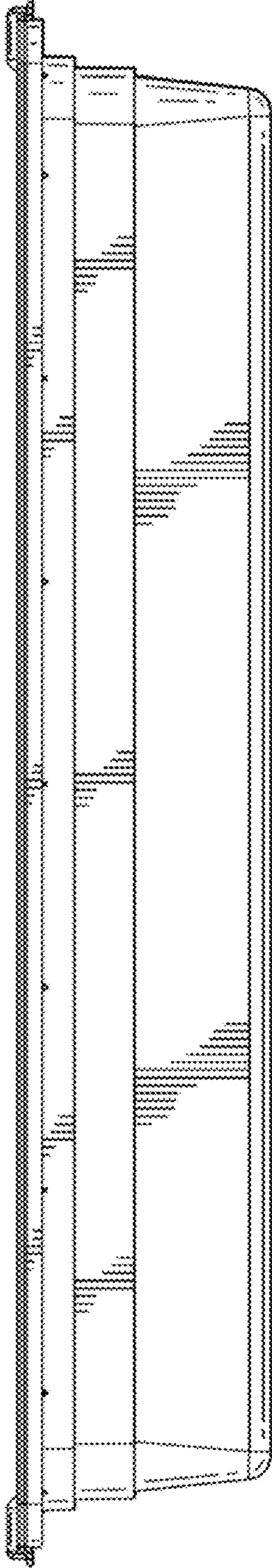


FIG. 10

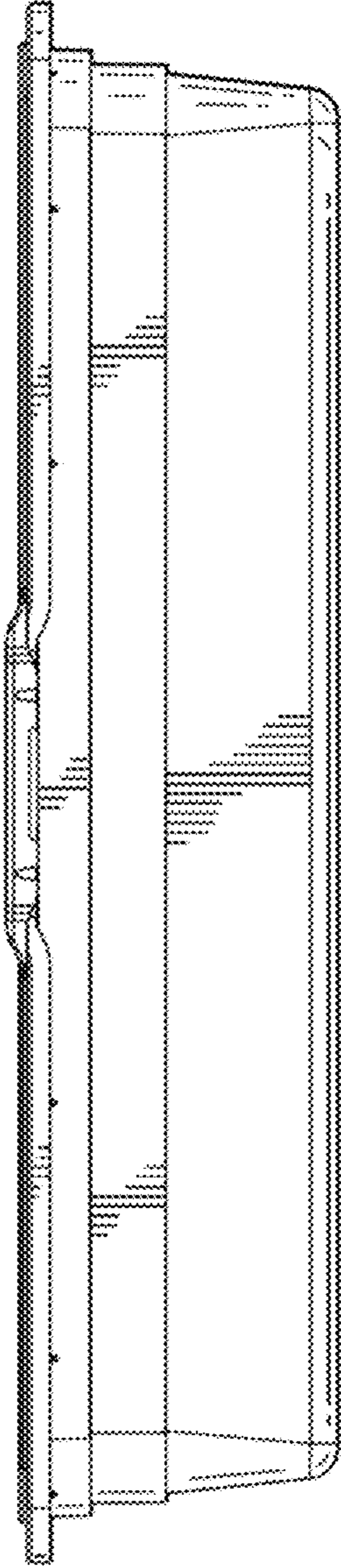


FIG. 11

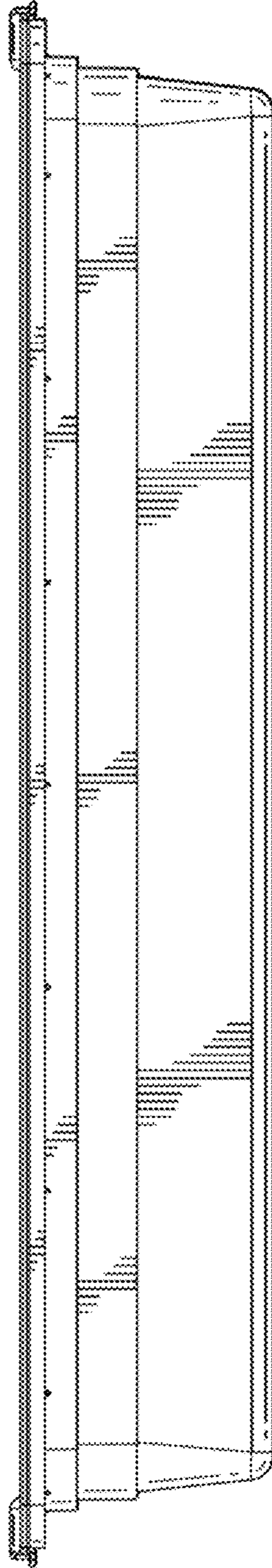


FIG. 12

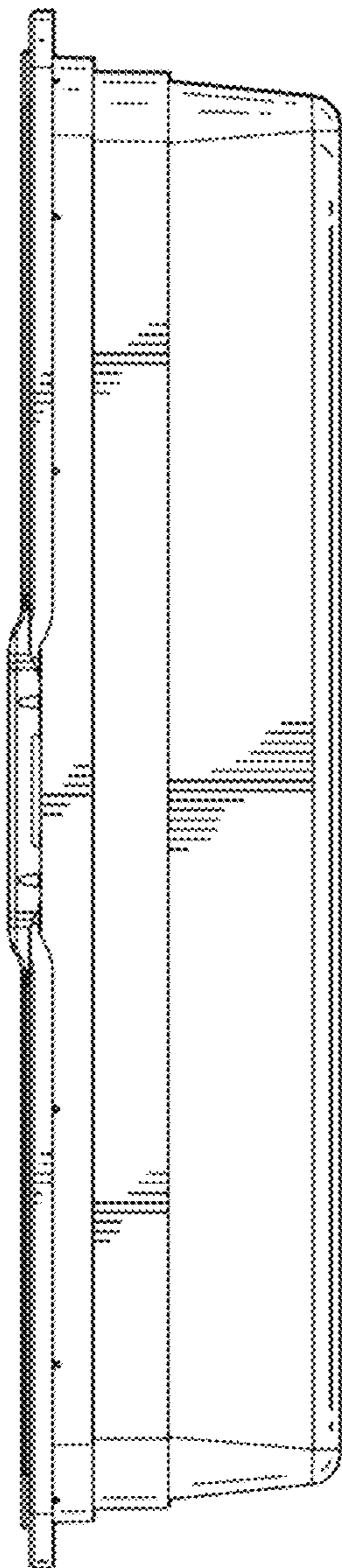


FIG. 13

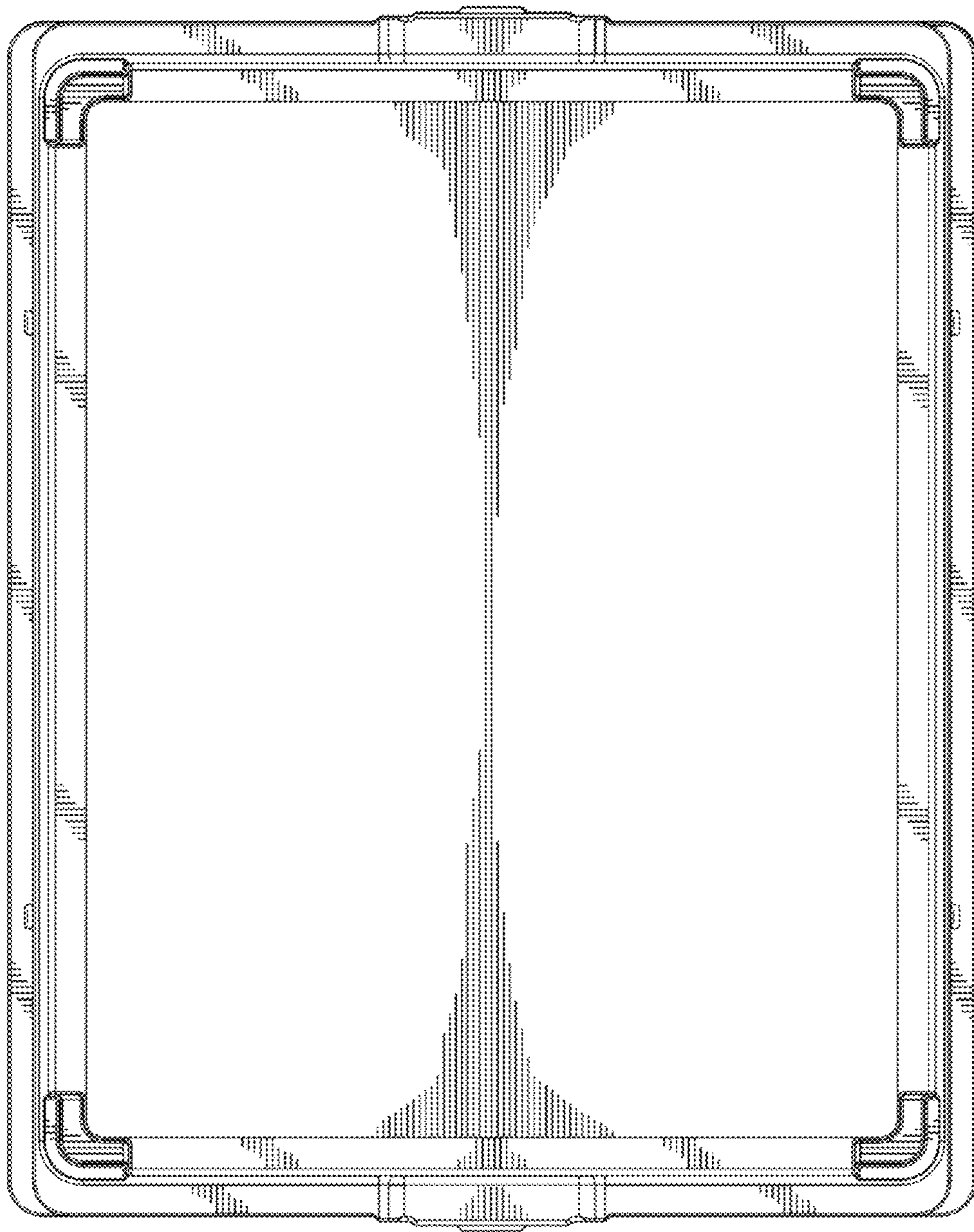


FIG. 14