



US00D748909S

(12) **United States Design Patent**
Wronski et al.

(10) **Patent No.:** **US D748,909 S**
(45) **Date of Patent:** **** Feb. 9, 2016**

- (54) **OVERSIZED CHILDREN'S BACKPACK**
- (71) Applicants: **Vicki C. Wronski**, Stone Mountain, GA (US); **Greg Edward Wronski**, Stone Mountain, GA (US)
- (72) Inventors: **Vicki C. Wronski**, Stone Mountain, GA (US); **Greg Edward Wronski**, Stone Mountain, GA (US)

(**) Term: **14 Years**
(21) Appl. No.: **29/503,094**

- (22) Filed: **Sep. 23, 2014**
- (51) **LOC (10) Cl.** **03-01**
- (52) **U.S. Cl.**
USPC **D3/217**
- (58) **Field of Classification Search**
USPC D3/215, 216, 217, 221, 222, 224, 225, D3/261, 262, 269, 273, 289, 290
CPC A45F 3/04; A45F 3/042; A45F 3/08; A45F 3/10; A45F 3/14; A45F 4/02; A45F 4/08; A45F 2200/05; A45F 2200/0525; A45C 13/08; A45C 13/083
See application file for complete search history.

(56) **References Cited**

U.S. PATENT DOCUMENTS

D249,189 S *	8/1978	Stewart	D3/217
5,819,998 A *	10/1998	Chehebar	224/153
D407,214 S *	3/1999	Chapman	D3/217
D418,673 S *	1/2000	Madsen	D3/216

D423,210 S *	4/2000	Zakarin	D3/217
6,053,382 A *	4/2000	Wyant	224/153
D448,160 S *	9/2001	Sijmons et al.	D3/216
D456,601 S *	5/2002	Kegels	D3/217
D457,306 S *	5/2002	Szyf	D3/217
D458,444 S *	6/2002	Clark et al.	D3/216
D479,648 S *	9/2003	De Lathouwer	D3/216
6,712,249 B2 *	3/2004	Magnusson et al.	224/576
D506,607 S *	6/2005	Fonfeder	D3/217
D506,864 S *	7/2005	Fonfeder	D3/217
D511,620 S *	11/2005	Van Himbeek	D3/217
D661,085 S *	6/2012	Custer	D3/217
D702,434 S *	4/2014	Chalk et al.	D3/217
D714,541 S *	10/2014	Anderson et al.	D3/217
D725,376 S *	3/2015	Dweck	D3/217
2011/0186611 A1 *	8/2011	Eberle	224/583

* cited by examiner

Primary Examiner — John Windmuller
Assistant Examiner — Steven Cxyz

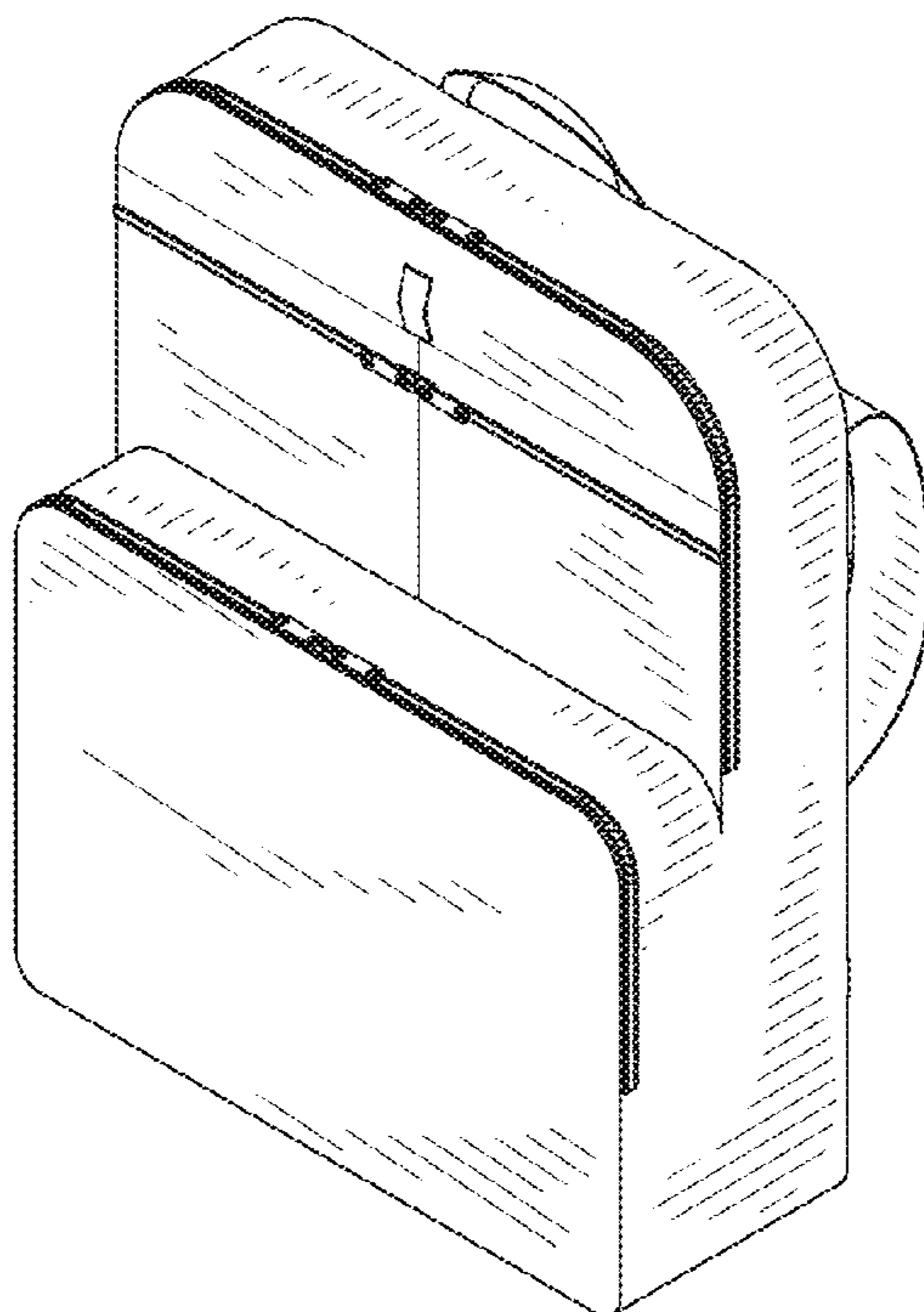
(57) **CLAIM**

The ornamental design for an oversized children's backpack, as shown and described.

DESCRIPTION

FIG. 1 is a perspective front view of an oversized children's backpack;
FIG. 2 is a front elevation view thereof;
FIG. 3 is a rear elevation view thereof;
FIG. 4 is a left side elevation view thereof;
FIG. 5 is a right side elevation view thereof;
FIG. 6 is a top elevation view thereof; and,
FIG. 7 is a bottom elevation view thereof.

1 Claim, 3 Drawing Sheets



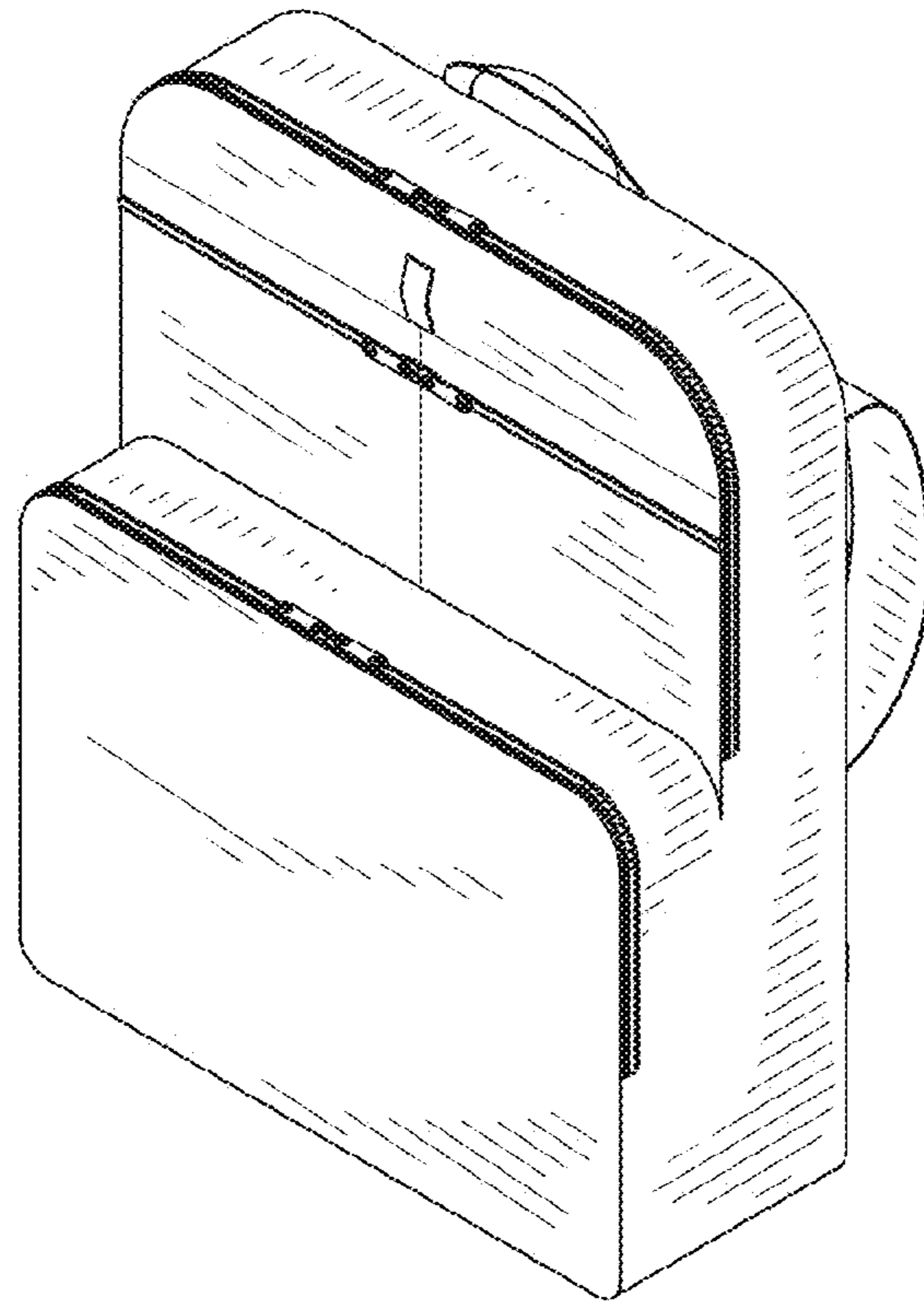


FIG. 1

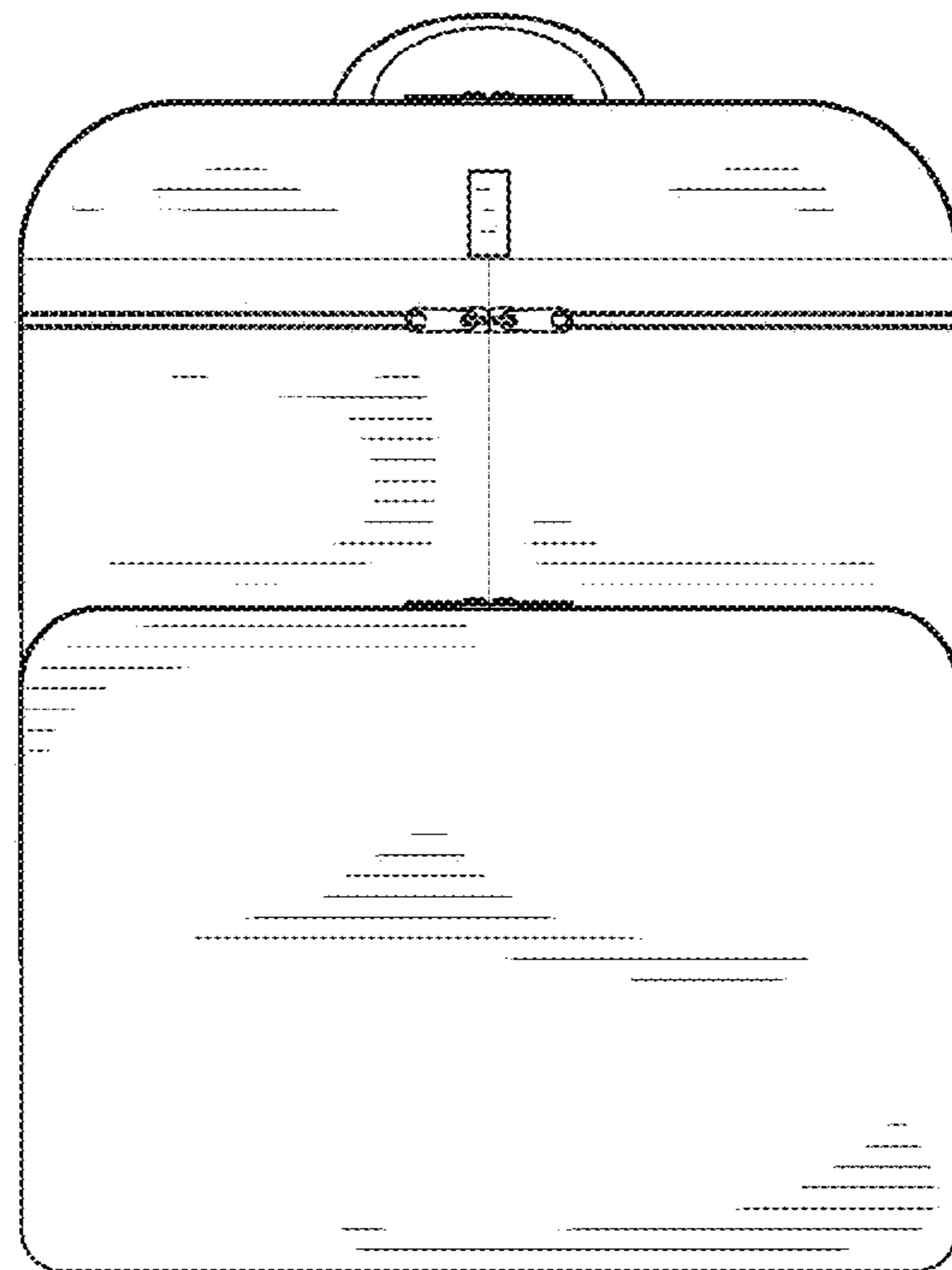


FIG. 2

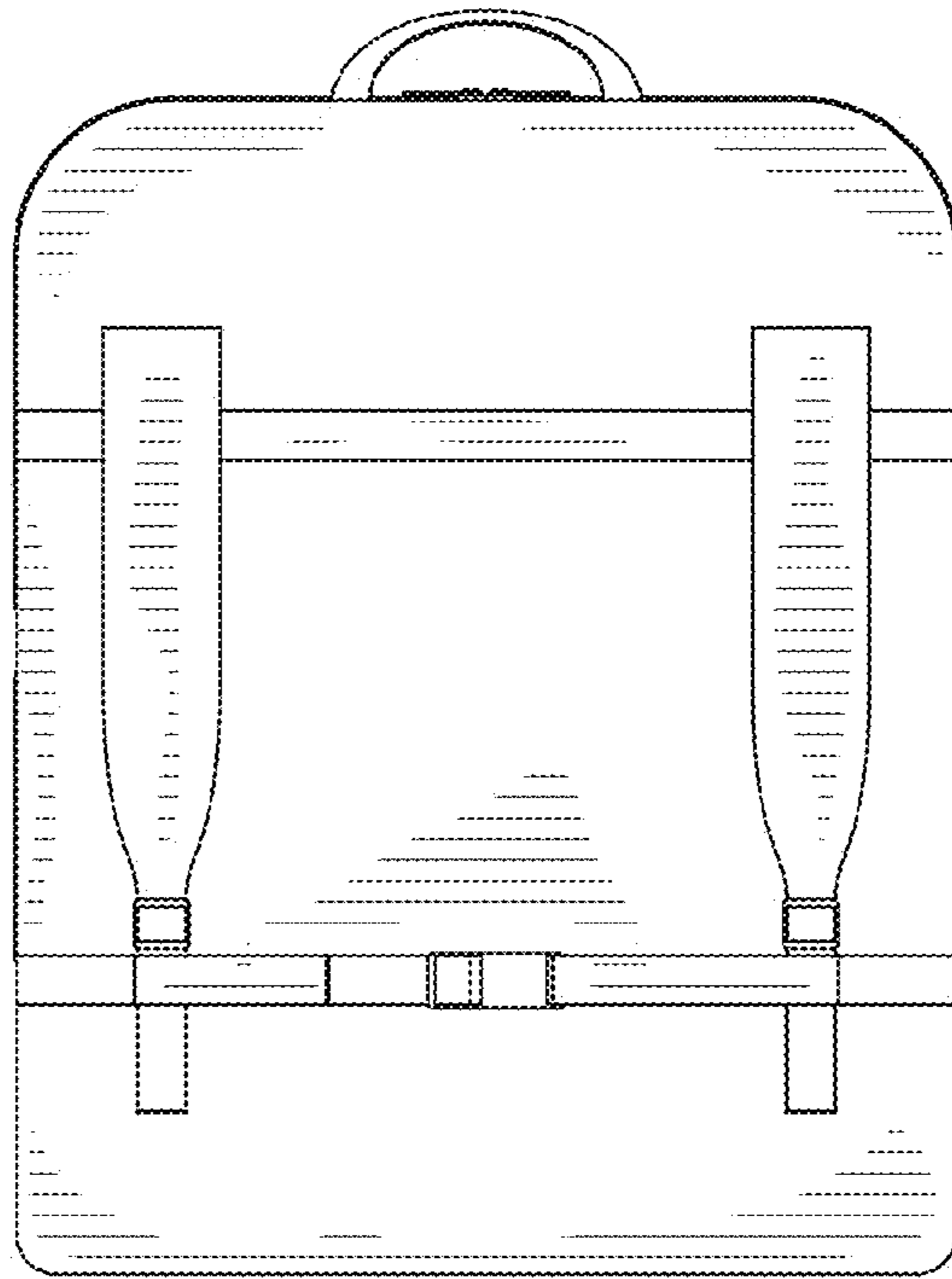


FIG. 3

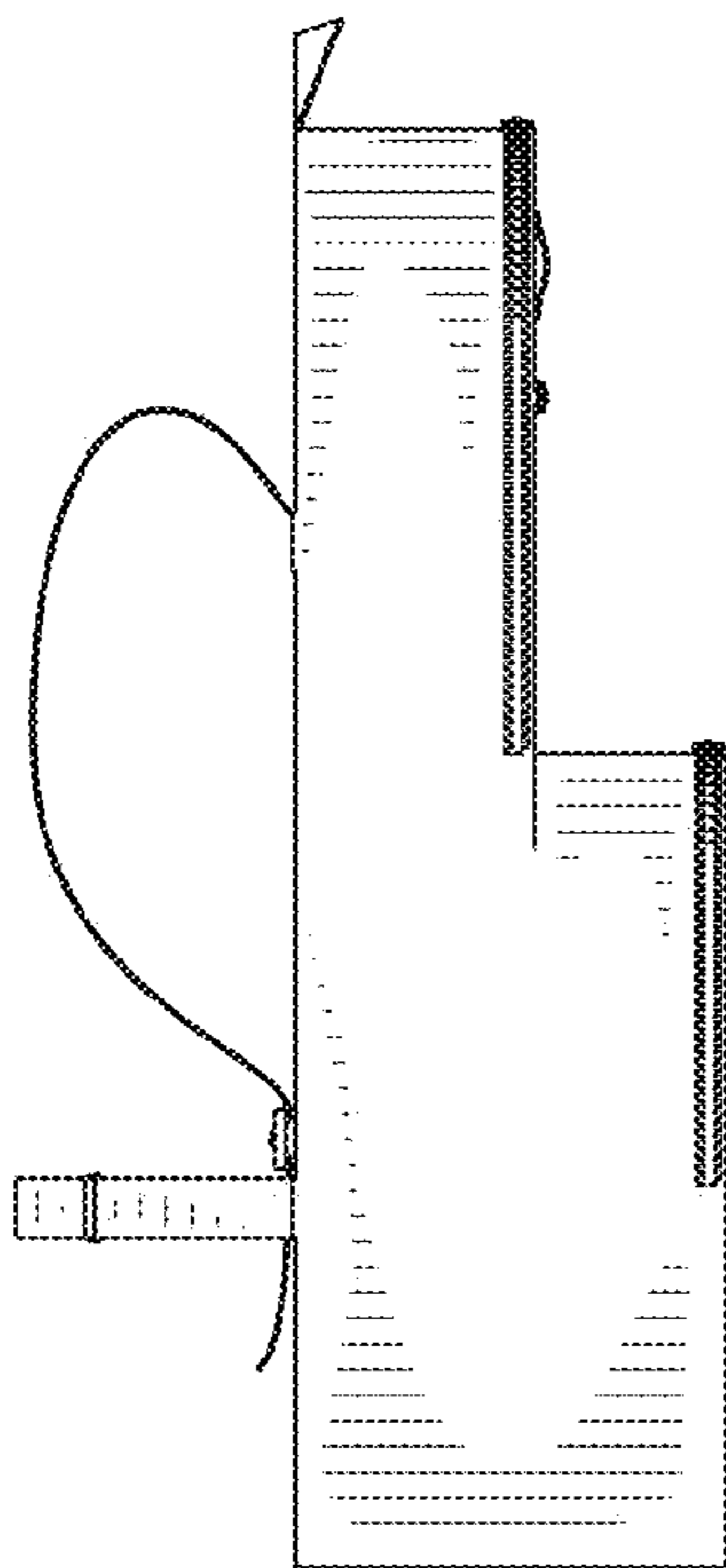


FIG. 4

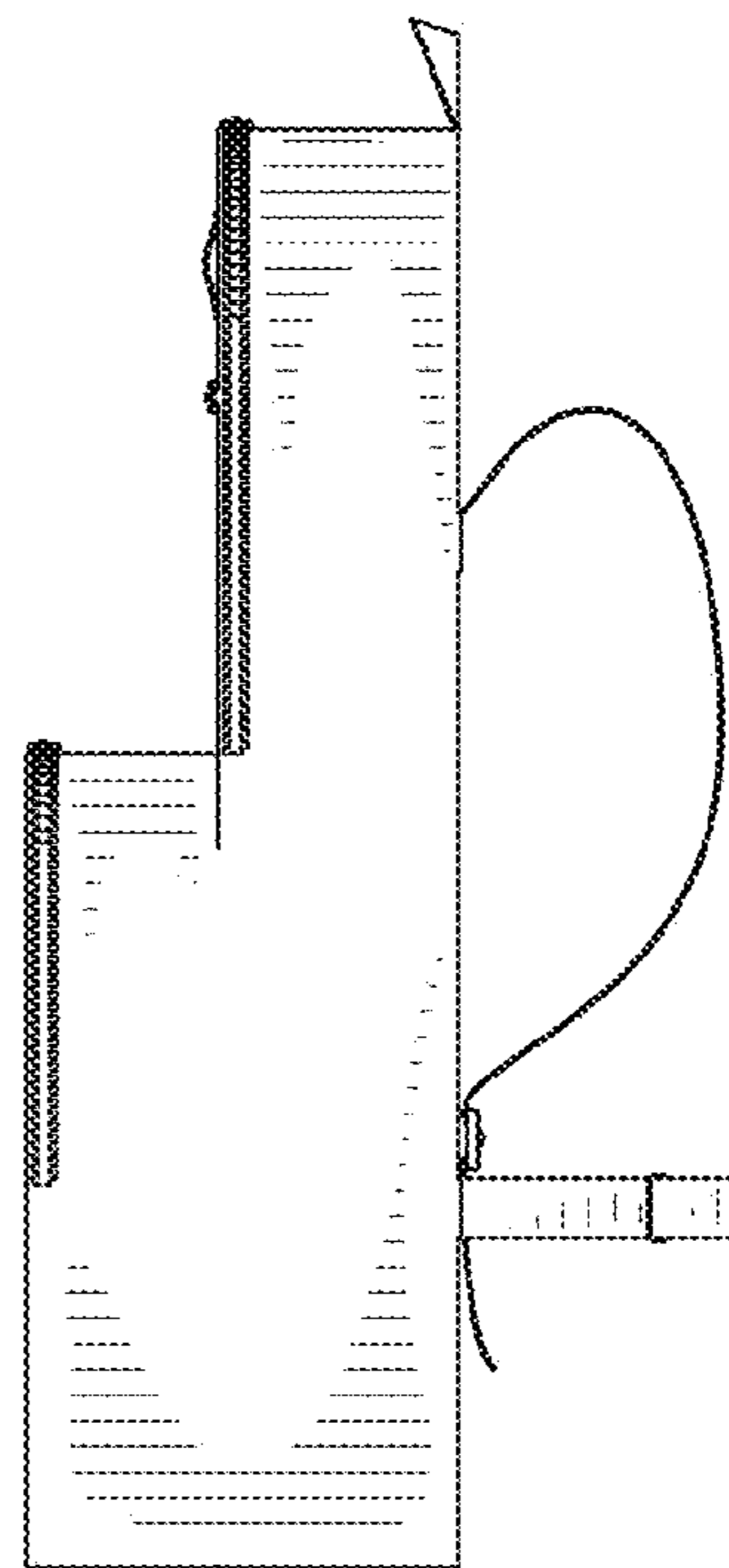


FIG. 5

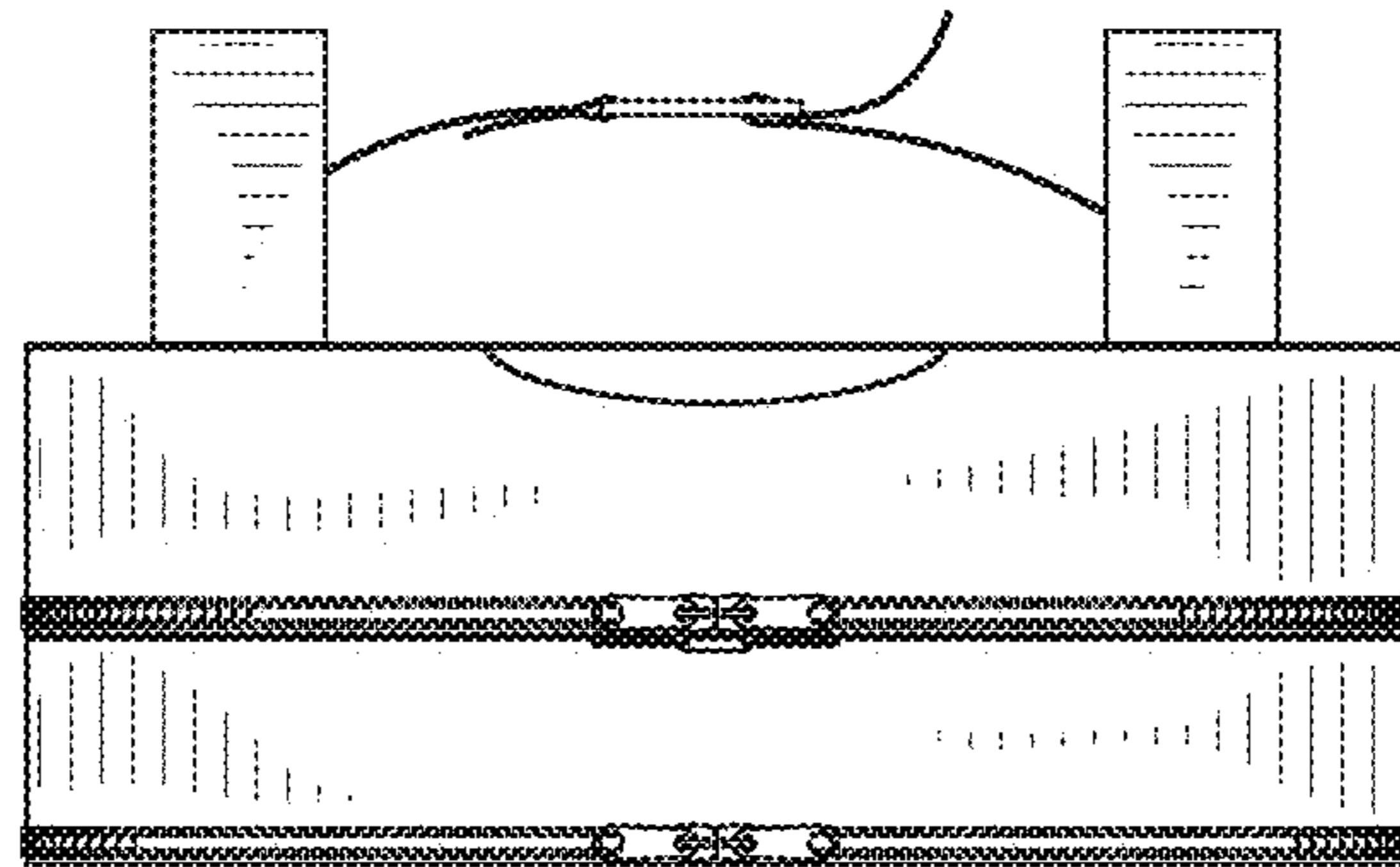


FIG. 6

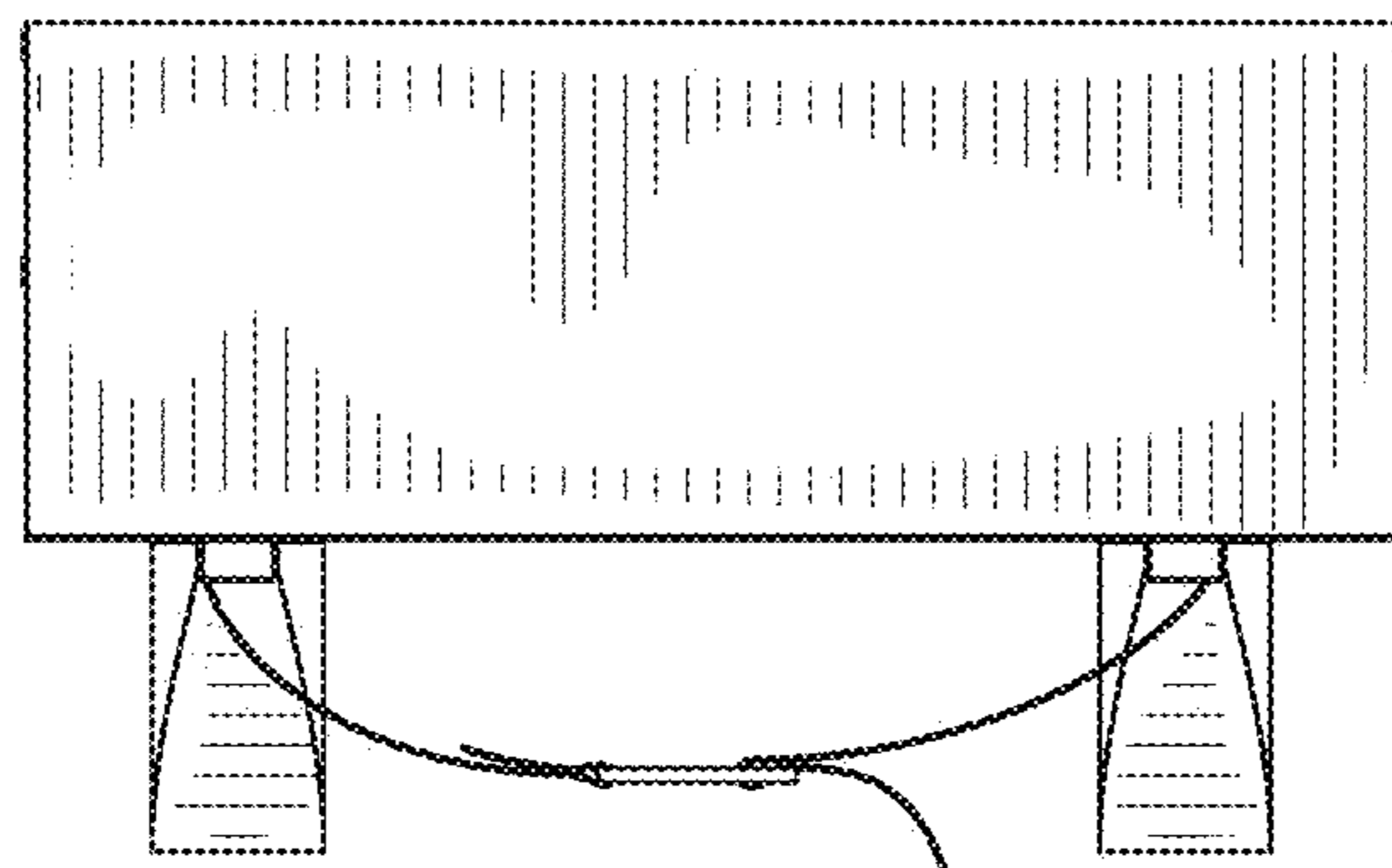


FIG. 7