



US00D748908S

(12) **United States Design Patent**
Kuo et al.

(10) **Patent No.:** **US D748,908 S**
(45) **Date of Patent:** **** Feb. 9, 2016**

(54) **KNAPSACK**

(71) Applicant: **GOLDEN ARROW PRINTING CO., LTD.**, New Taipei (TW)

(72) Inventors: **Chien-Kuan Kuo**, New Taipei (TW);
Chun-Huang Huang, New Taipei (TW)

(73) Assignee: **GOLDEN ARROW PRINTING CO., LTD.**, New Taipei (TW)

(**) Term: **14 Years**

(21) Appl. No.: **29/512,669**

(22) Filed: **Dec. 22, 2014**

(51) **LOC (10) Cl.** **03-01**

(52) **U.S. Cl.**
USPC **D3/216**

(58) **Field of Classification Search**

USPC D3/201, 213–218, 231, 232, 233, 254,
D3/267, 273, 274, 279, 283, 285, 286, 287,
D3/289, 290, 301, 318, 321, 327, 243,
D3/299; 224/153
CPC A45F 3/04; A45F 4/02; A45F 3/02;
A45F 3/08; A45F 3/047; A45C 9/00; A45C
5/14; A45C 13/02; A45C 3/00; A45C 13/08;
A41D 15/04

See application file for complete search history.

(56) **References Cited**

U.S. PATENT DOCUMENTS

D354,619	S	*	1/1995	Soukeras	D3/217
D357,117	S	*	4/1995	Huang	D3/276
D409,375	S	*	5/1999	Santoro et al.	D3/217
D448,164	S	*	9/2001	Kolpin	D3/262
D582,669	S	*	12/2008	Javits, Jr.	D3/243
D621,612	S	*	8/2010	Suk	D3/243
D698,542	S	*	2/2014	January	D3/217
D699,032	S	*	2/2014	BenDavid	D3/216
D714,046	S	*	9/2014	Sagan	D3/216
2008/0149676	A1	*	6/2008	Bartel	224/628

* cited by examiner

Primary Examiner — George D Kirschbaum

Assistant Examiner — Jennifer Watkins

(74) *Attorney, Agent, or Firm* — Chun-Ming Shih; HDLS IPR Services

(57) **CLAIM**

The ornamental design for a knapsack, as shown and described.

DESCRIPTION

FIG. 1 is a perspective view of a knapsack showing our new design;

FIG. 2 is a front view thereof;

FIG. 3 is a rear view thereof;

FIG. 4 is a left side view thereof;

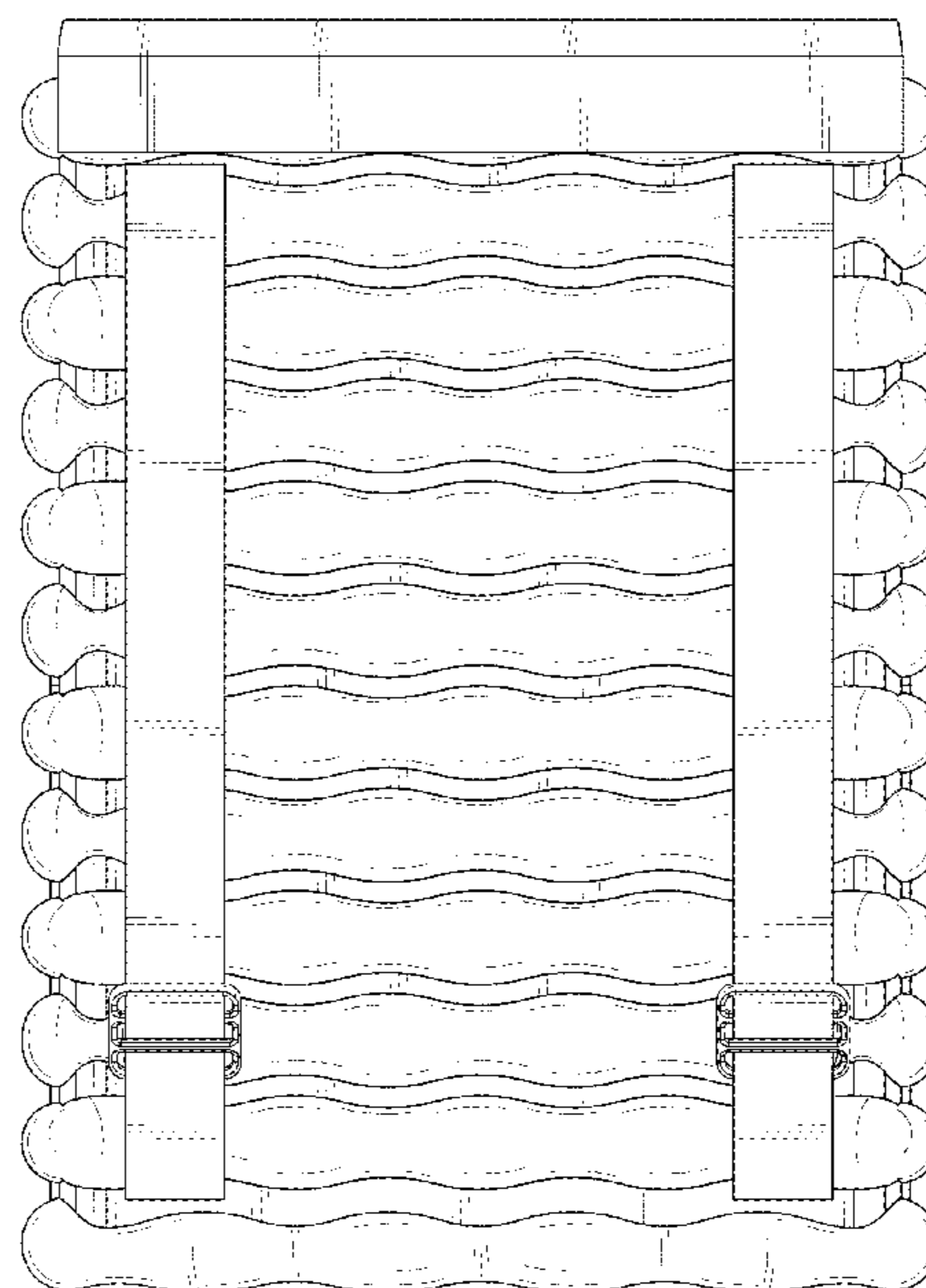
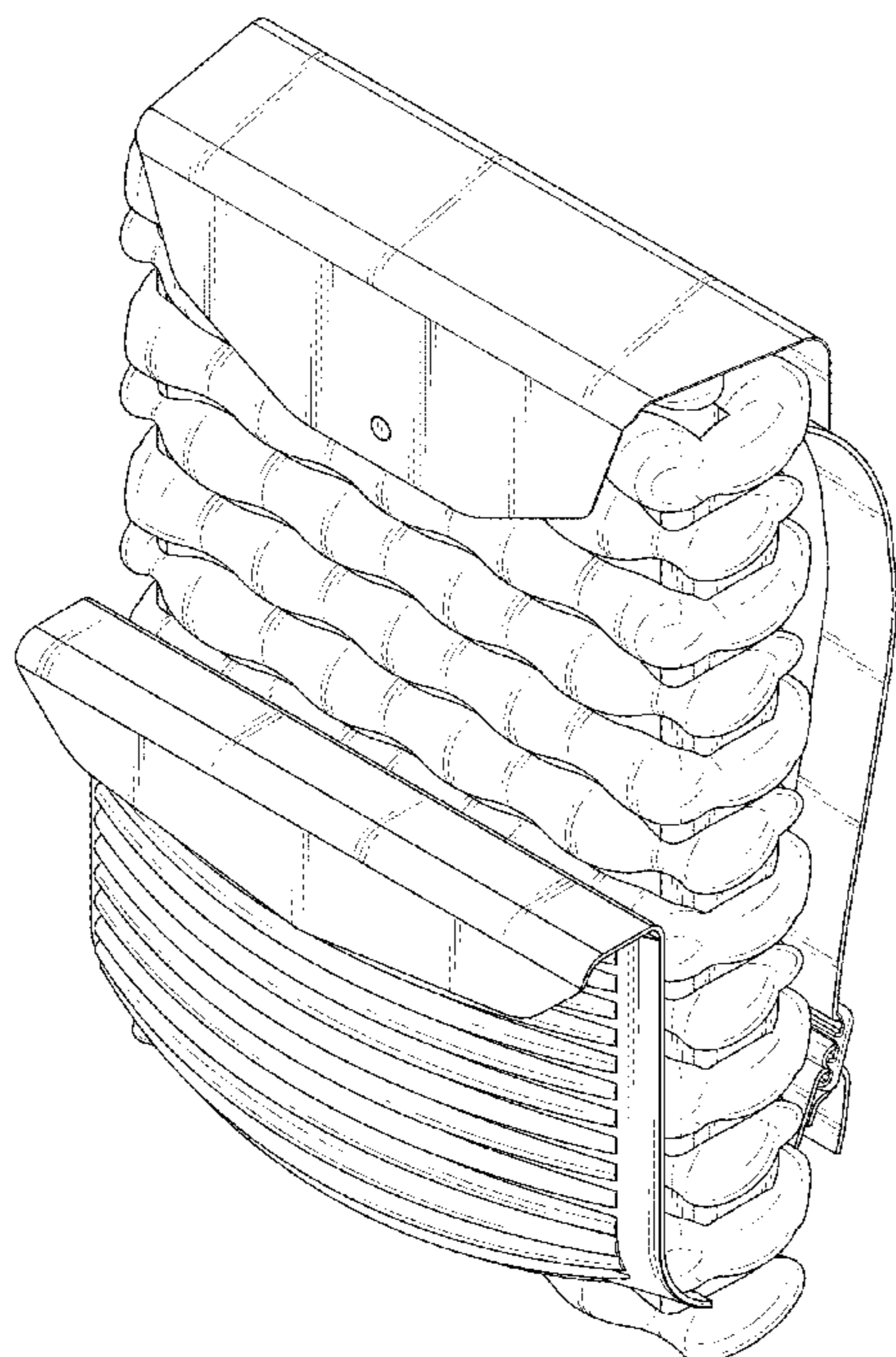
FIG. 5 is a right side view thereof;

FIG. 6 is a top view thereof;

FIG. 7 is a bottom view thereof; and,

FIG. 8 is the other perspective view showing the knapsack.

1 Claim, 7 Drawing Sheets



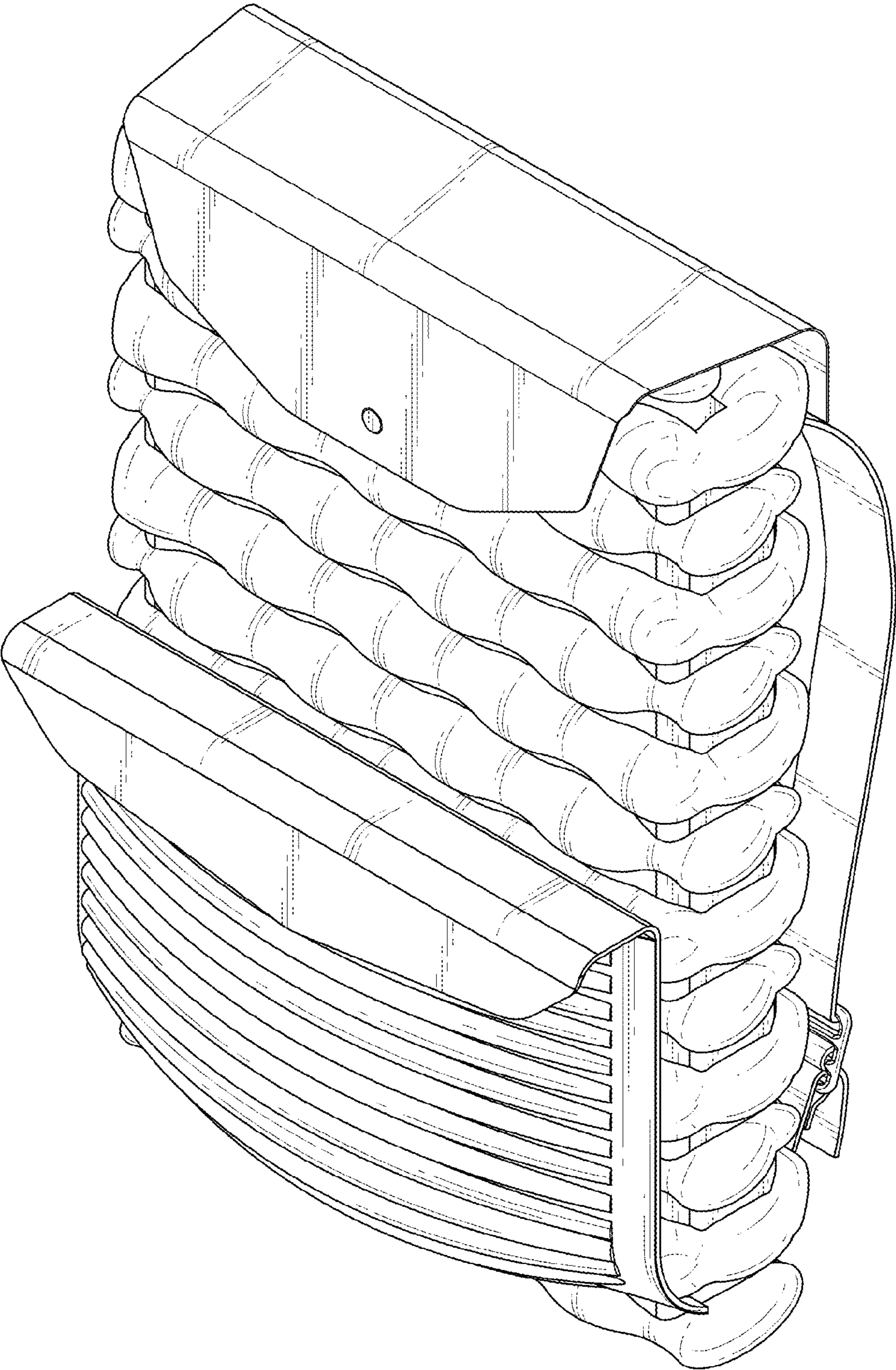


FIG.1

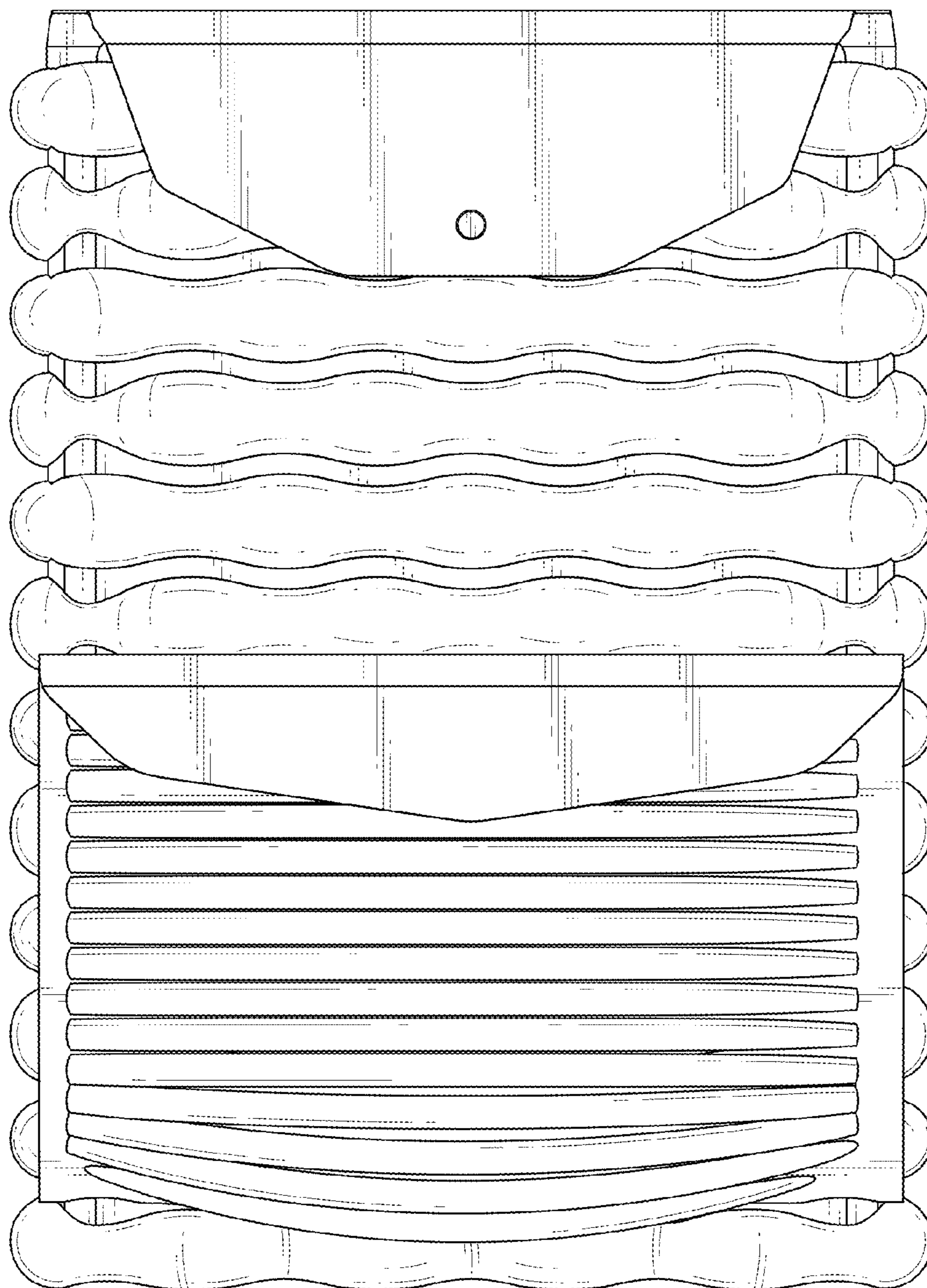


FIG.2

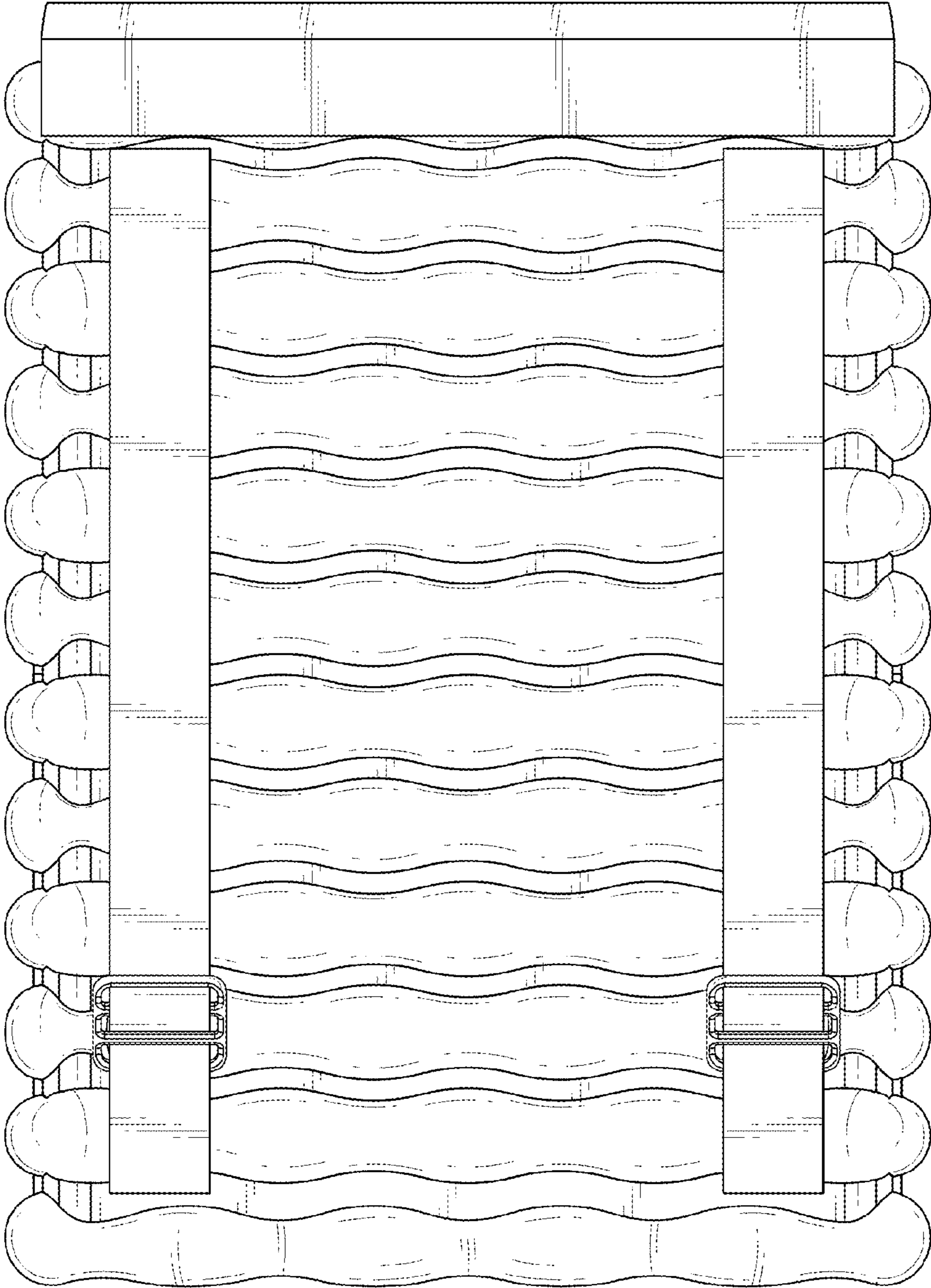


FIG.3

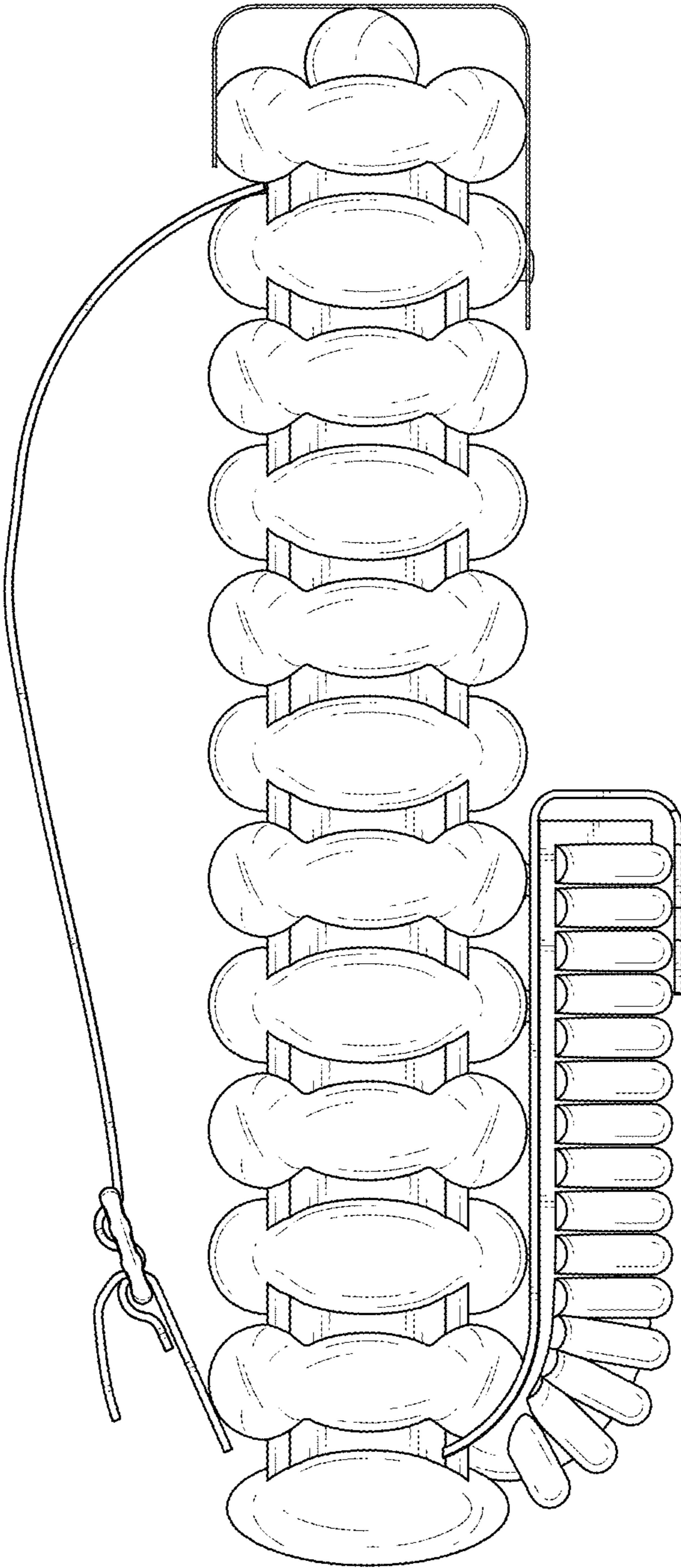


FIG.4

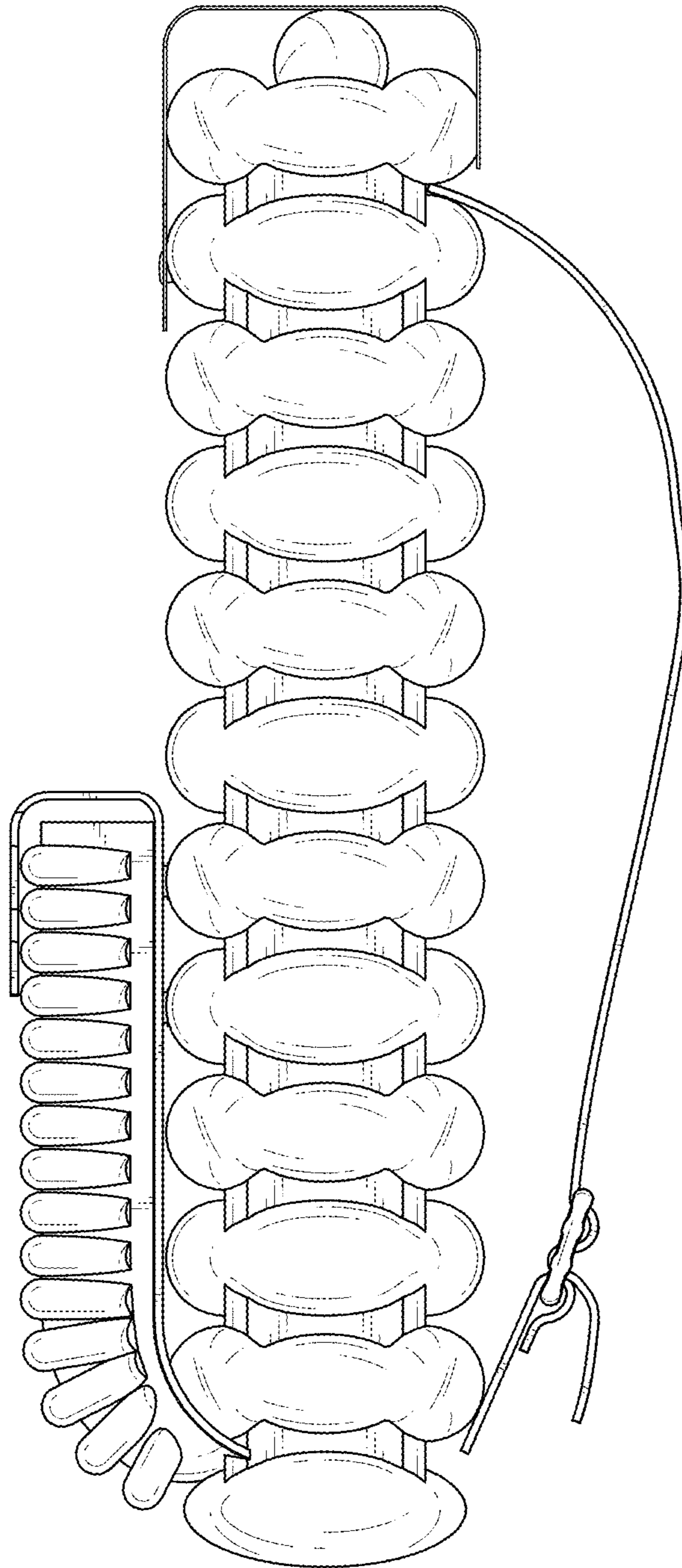


FIG.5

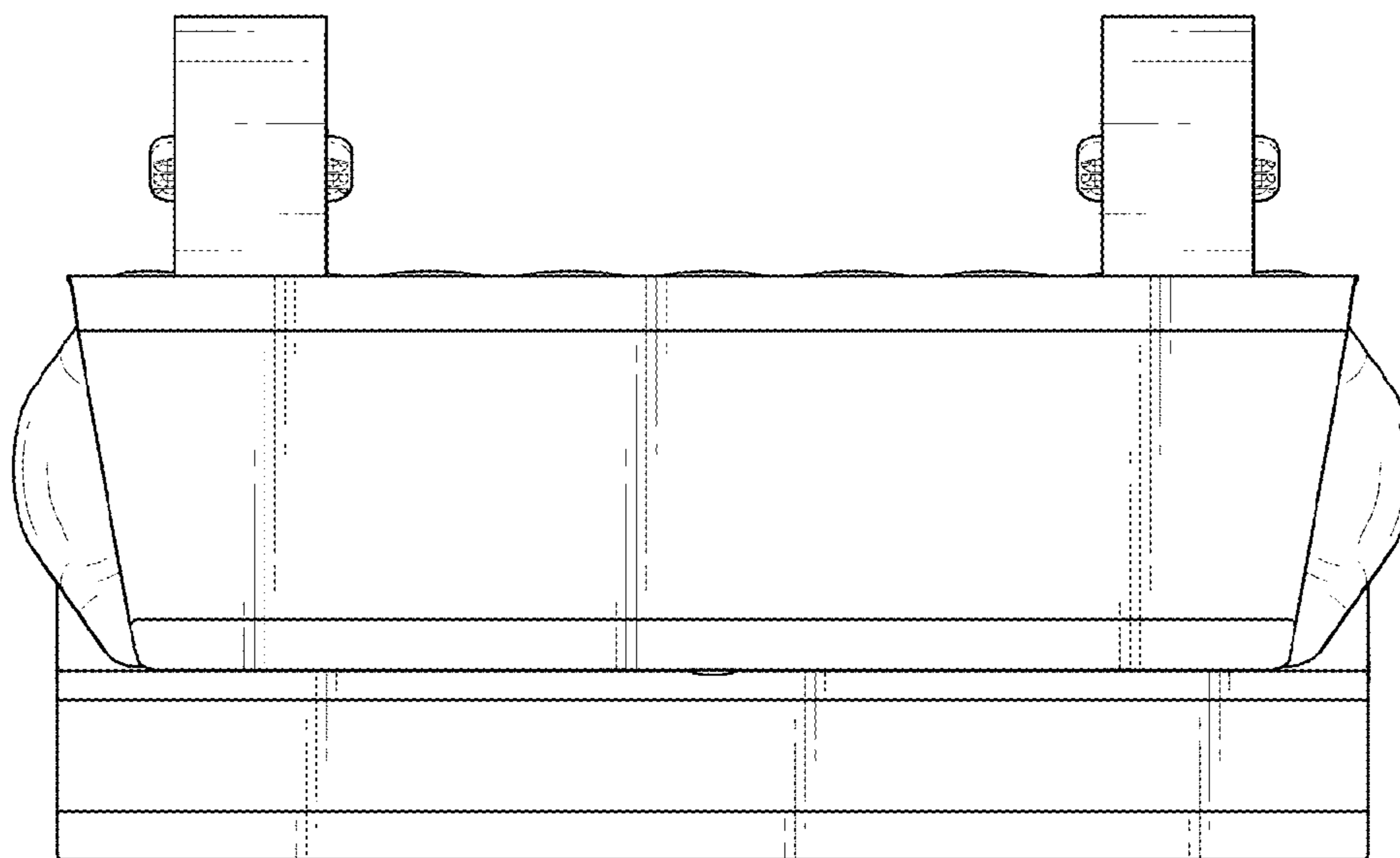


FIG. 6

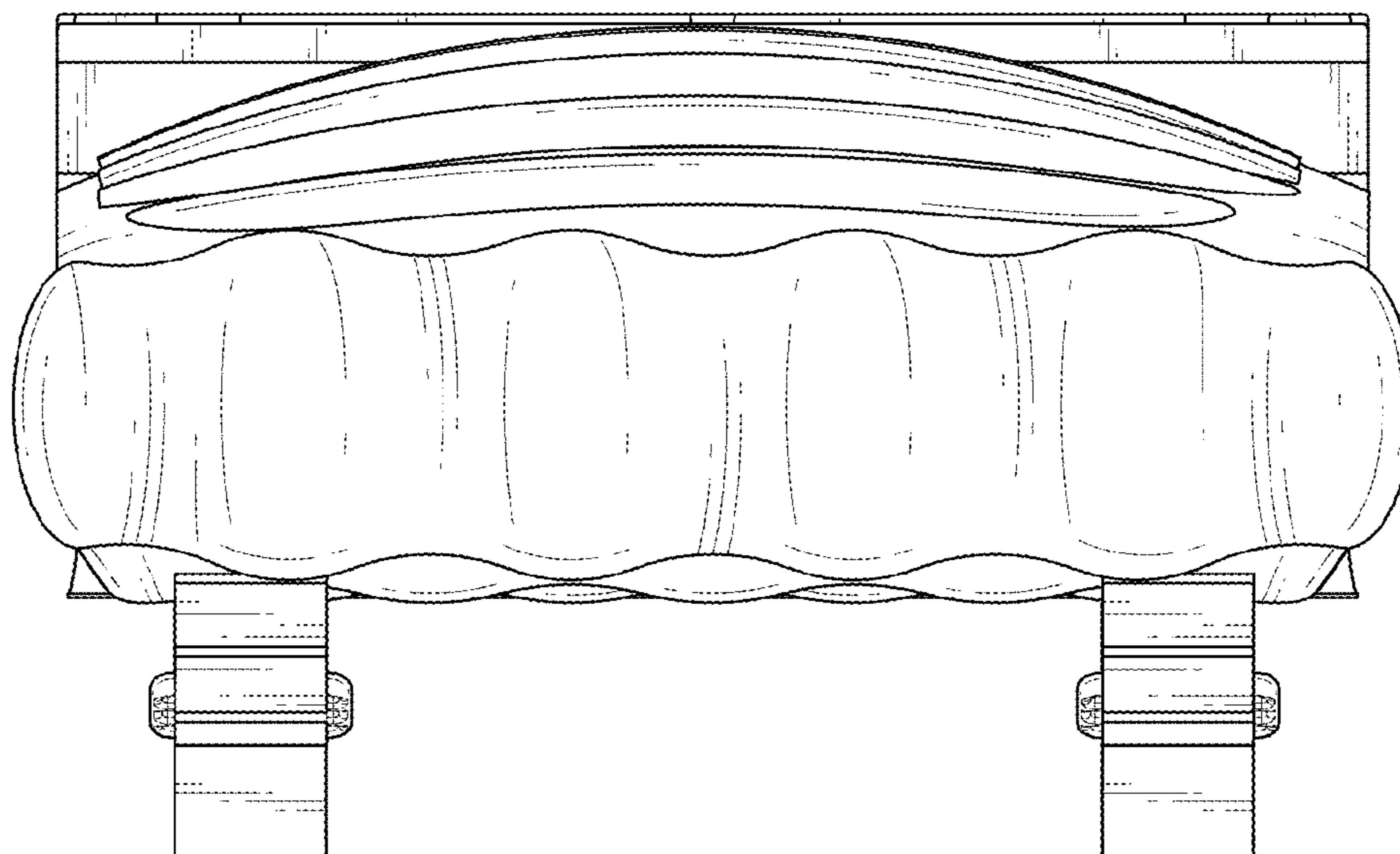


FIG. 7

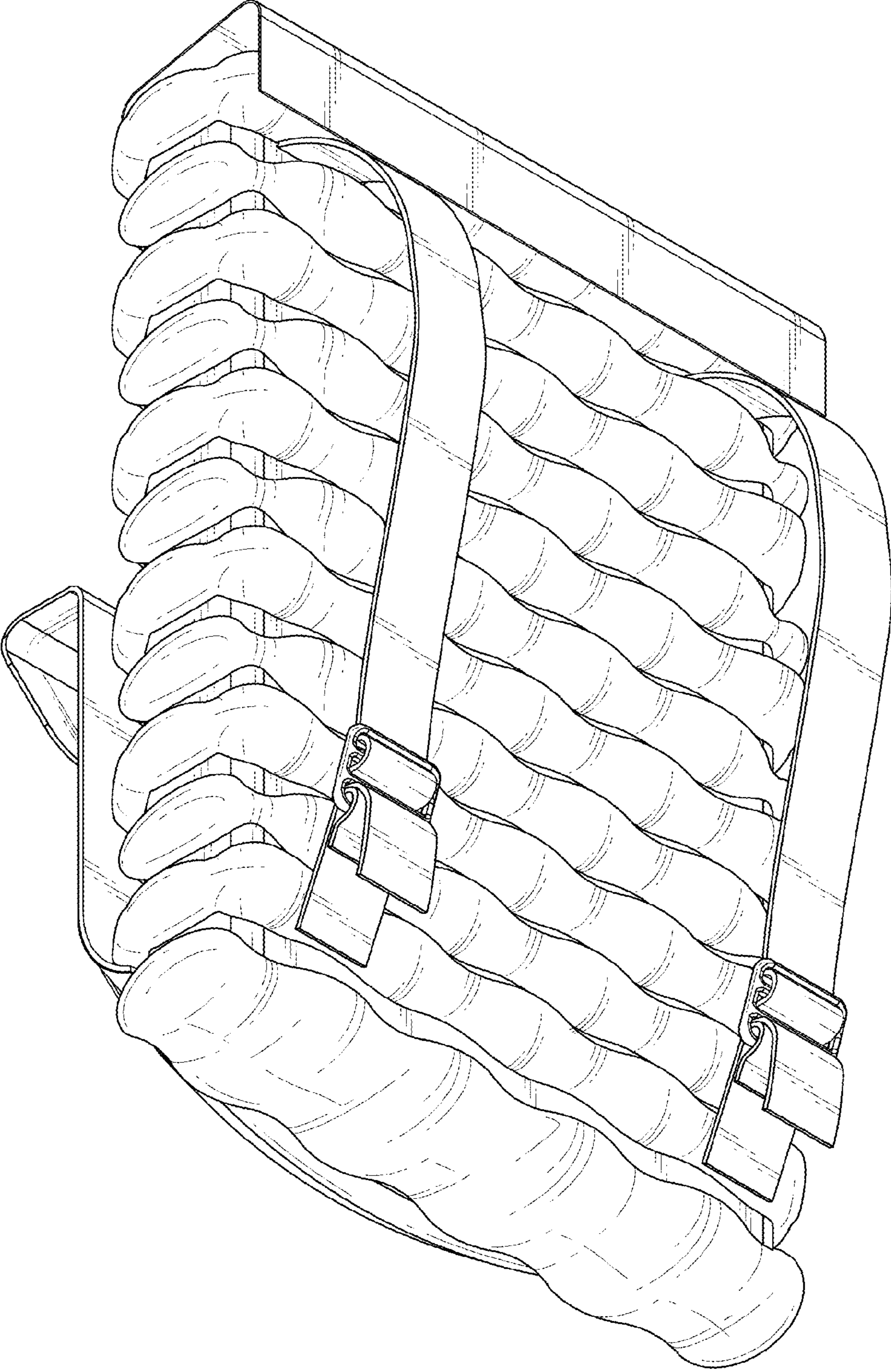


FIG.8