



US00D748905S

(12) **United States Design Patent**  
**Akin et al.**

(10) **Patent No.:** **US D748,905 S**  
(45) **Date of Patent:** **\*\* Feb. 9, 2016**

- (54) **UMBRELLA WITH SOLAR PANELS**
- (71) Applicant: **ZON**, Manhattan Beach, CA (US)
- (72) Inventors: **Sarah Akin**, Manhattan Beach, CA (US); **David Johnson**, San Francisco, CA (US)
- (73) Assignee: **ZON**, Manhattan Beach, CA (US)
- (\*\*) Term: **14 Years**
- (21) Appl. No.: **29/467,880**
- (22) Filed: **Sep. 24, 2013**
- (51) **LOC (10) Cl.** ..... **03-03**
- (52) **U.S. Cl.**  
USPC ..... **D3/5; D3/10; D13/102**
- (58) **Field of Classification Search**  
USPC ..... D3/5, 10; 135/15.1, 33.2, 20.1; 320/101; D13/102  
CPC .. A45B 23/00; A45B 3/04; A45B 2200/1018; A45B 2200/1027; H02J 7/0047; H02J 7/35  
See application file for complete search history.

7,013,903	B2	3/2006	Li	
D530,269	S *	10/2006	Fowler	D13/102
D561,460	S *	2/2008	Peterson	D3/5
7,562,667	B2	7/2009	Li	
D600,200	S *	9/2009	Dimov	D13/102
D668,443	S	10/2012	Sims, II	
8,360,079	B2 *	1/2013	Li	A45B 3/04 135/16
D680,949	S *	4/2013	Swatek	D13/102
D681,548	S *	5/2013	Zhang	D13/102
D688,621	S *	8/2013	Mozzardi	D13/102
D701,828	S *	4/2014	Garrett-Schesch	D13/102
D701,829	S *	4/2014	Garrett-Schesch	D13/102
8,695,614	B2 *	4/2014	Chaimovski	A45B 23/00 135/16
D724,524	S *	3/2015	Garrett-Schesch	D13/102
D728,466	S *	5/2015	Ehrsam	D13/102
9,088,181	B2 *	7/2015	Akin	H02J 7/35
2005/0161067	A1 *	7/2005	Hollins	A45B 23/00 135/16
2009/0058354	A1 *	3/2009	Harrison	A45B 3/00 320/101

**OTHER PUBLICATIONS**

Solar Powered Umbrella with USB Ports Product Reference, Apr. 5, 2013, 17 pages.

\* cited by examiner

*Primary Examiner* — John Windmuller

(74) *Attorney, Agent, or Firm* — Aka Chan LLP

(57) **CLAIM**

The ornamental design for an umbrella with solar panels, as shown and described.

**DESCRIPTION**

This application incorporates by reference U.S. patent application Ser. No. 29/461,658, filed Jul. 26, 2013.

FIG. 1 shows a perspective view of a first embodiment of a design for an umbrella with solar panels.

FIG. 2 shows a top view of FIG. 1; and,

FIG. 3 shows a side view of FIG. 1.

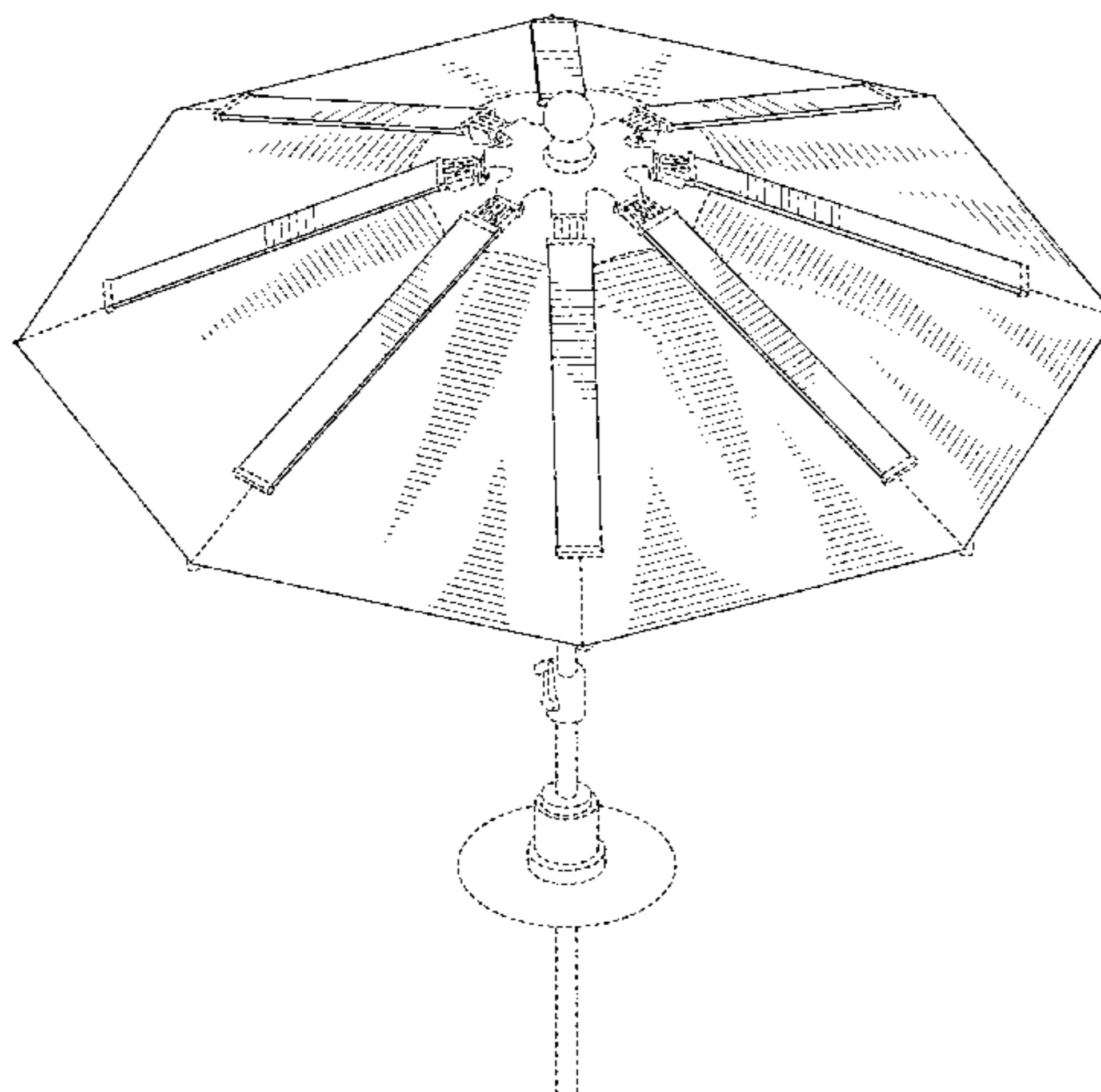
The broken lines in the figures depict portions of the umbrella with solar panels that form no part of the claimed design.

**1 Claim, 3 Drawing Sheets**

(56) **References Cited**

**U.S. PATENT DOCUMENTS**

1,397,789	A *	11/1921	Stonestreet	A45B 19/02 135/20.2
D151,655	S *	11/1948	Preaus	D25/57
D248,042	S *	5/1978	Ouelette	D13/102
4,193,389	A *	3/1980	Ku	F24J 2/07 126/636
4,527,721	A *	7/1985	Goldstein	A45B 1/02 135/16
D336,982	S *	7/1993	Johnson	D3/5
D373,465	S *	9/1996	Chipman	135/33.2
D373,467	S *	9/1996	Chipman	135/33.2
D373,468	S *	9/1996	Dubinsky	D3/5
D396,741	S *	8/1998	Vitali	D3/5
D443,409	S *	6/2001	Pilz	D3/5
6,830,058	B2	12/2004	Li	
6,923,058	B2	8/2005	Nieman et al.	
7,000,624	B2 *	2/2006	Chang	A45B 3/04 135/16



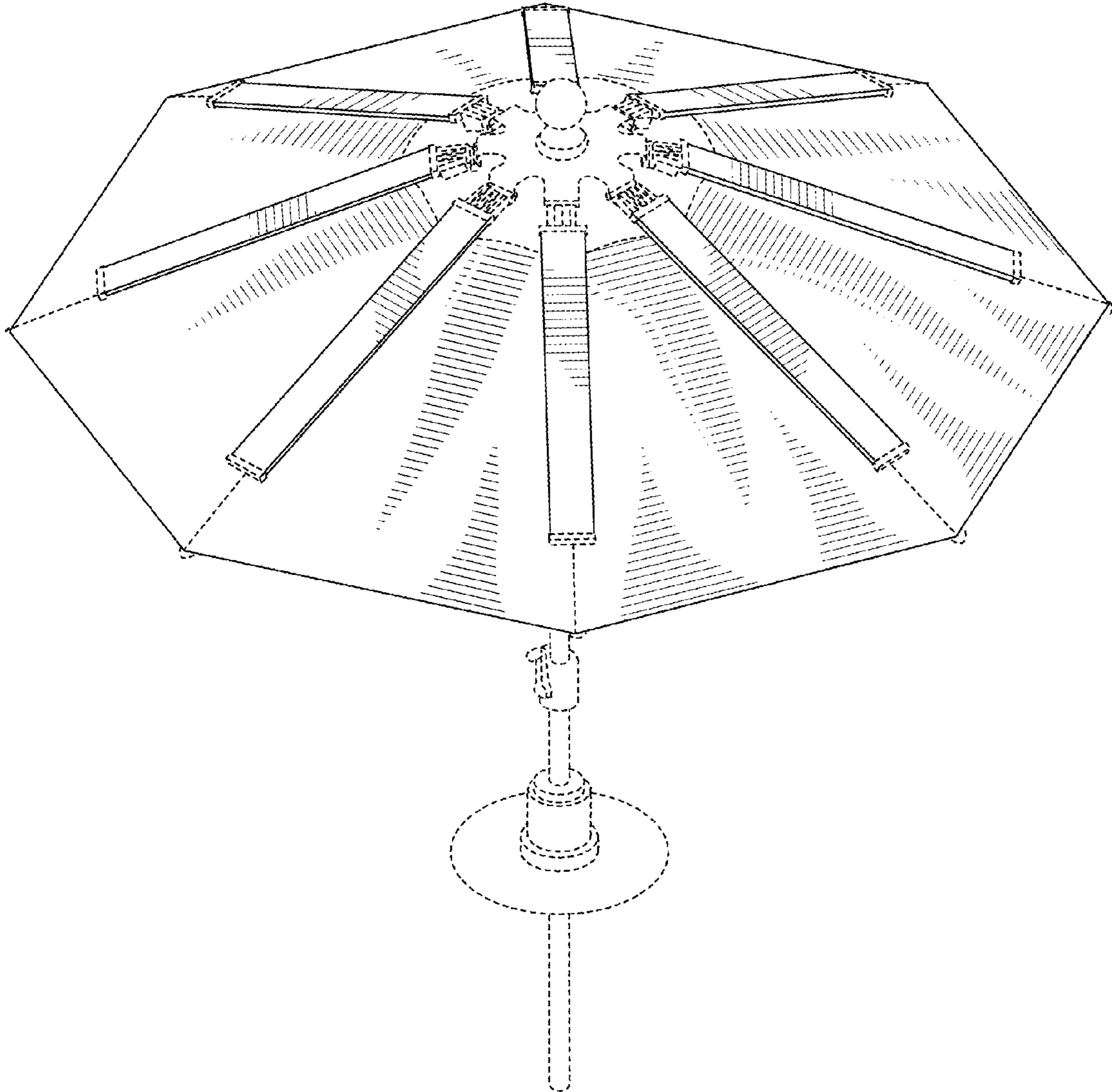


FIG. 1

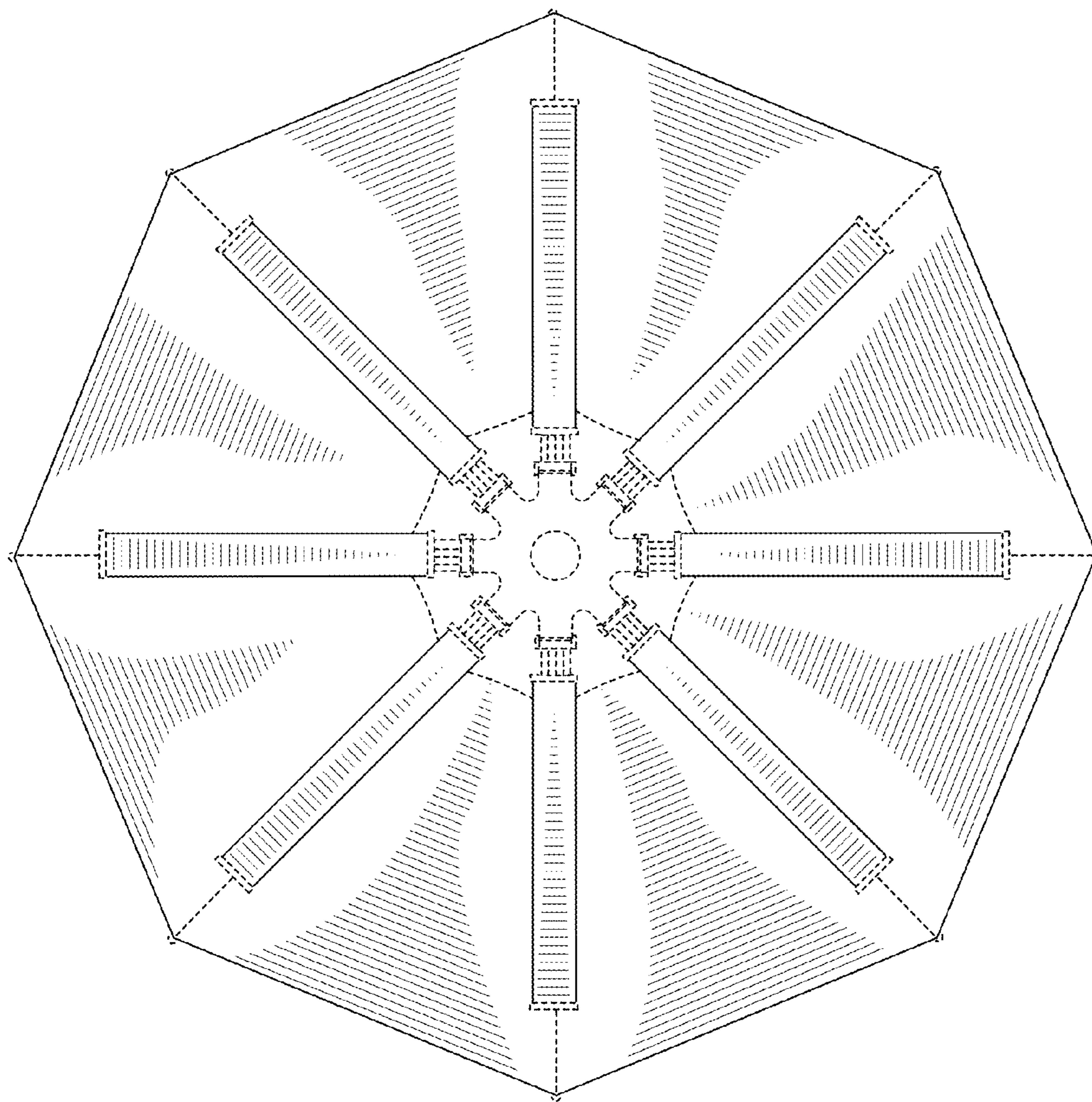


FIG. 2



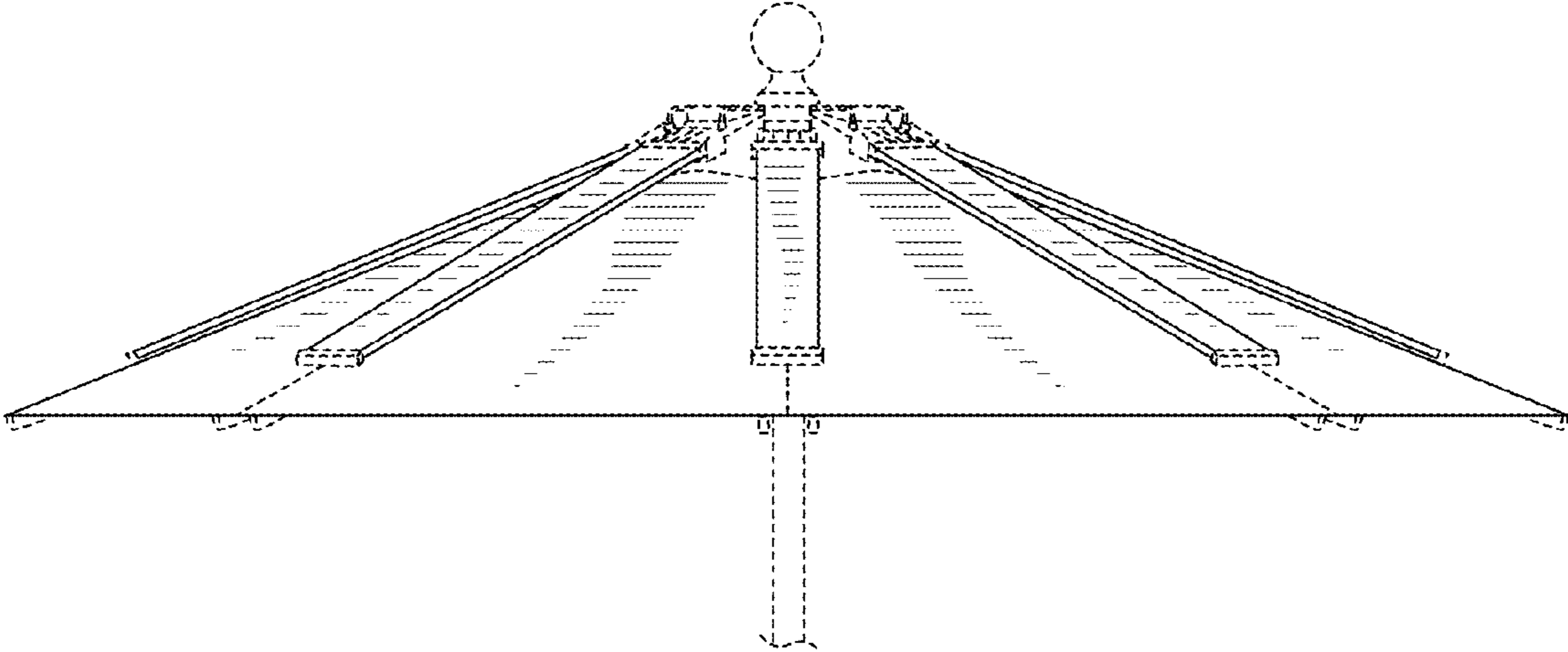


FIG. 3