



US00D748887S

(12) **United States Design Patent**
Macklin

(10) **Patent No.:** **US D748,887 S**

(45) **Date of Patent:** **** Feb. 2, 2016**

(54) **LOADING RACK**

(71) Applicant: **Richard Macklin**, Sewickley, PA (US)

(72) Inventor: **Richard Macklin**, Sewickley, PA (US)

(**) Term: **14 Years**

(21) Appl. No.: **29/507,341**

(22) Filed: **Oct. 27, 2014**

(51) **LOC (10) Cl.** **09-08**

(52) **U.S. Cl.**
USPC **D34/38**

(58) **Field of Classification Search**
USPC D34/38, 35; 294/116, 104, 118;
248/323, 126, 300; D8/349, 354;
108/51.11

CPC B65D 2519/00323; B65D 2519/00293;
B65D 2519/00333; B65D 2519/00019; B65D
2519/00338

See application file for complete search history.

(56) **References Cited**

U.S. PATENT DOCUMENTS

4,032,165	A *	6/1977	Russell	B62B 3/10 211/123
5,269,112	A *	12/1993	Weinrub	G09F 15/0068 211/189
5,520,292	A *	5/1996	Lombardi	A47F 7/00 211/182
D410,580	S *	6/1999	Kaffenberger, Sr.	D34/38

D426,693	S *	6/2000	Thomsen	D34/38
D442,759	S *	5/2001	Bowman	D34/38
D451,311	S *	12/2001	Dion	D34/38
D482,912	S *	12/2003	Curotto, Jr.	D6/709
D488,905	S *	4/2004	DiStaulo	D34/28
D490,678	S *	6/2004	Dion	D8/381
D699,912	S *	2/2014	Macklin	D34/38
D699,913	S *	2/2014	Macklin	D34/38
D731,733	S *	6/2015	Robb, Jr.	D34/28

* cited by examiner

Primary Examiner — Cynthia Ramirez

(74) *Attorney, Agent, or Firm* — Eckert Seamans Cherin & Mellott, LLC; Nathaniel C. Wilks

(57) **CLAIM**

The ornamental design for a loading rack, as shown and described.

DESCRIPTION

FIG. 1 is an isometric view of a loading rack showing my new design;

FIG. 2 is a front elevational view thereof, with the rear being the same;

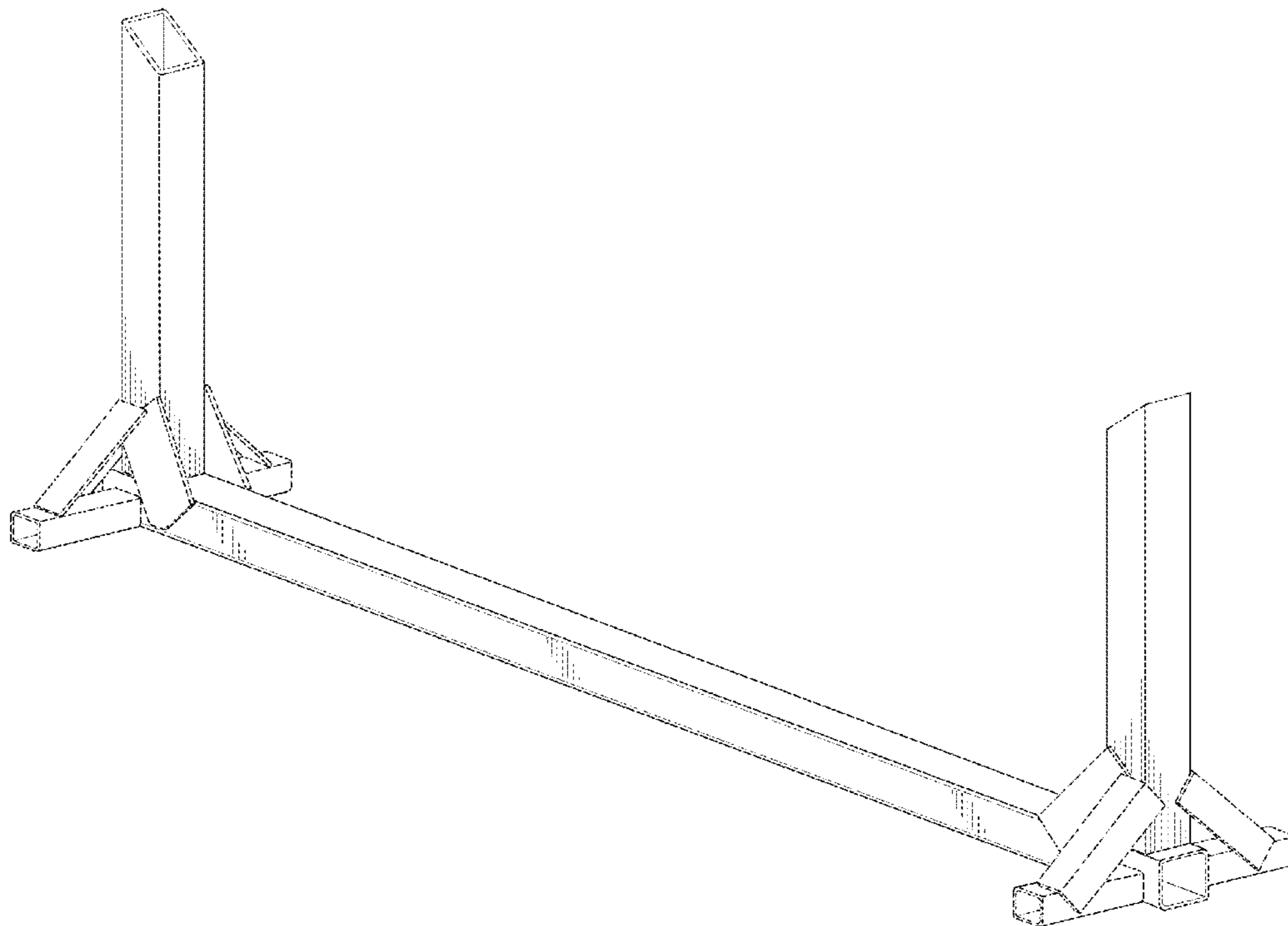
FIG. 3 is a right side elevational view thereof, with the left side elevational view being the same;

FIG. 4 is a top plan view thereof; and,

FIG. 5 is a bottom plan view thereof.

The broken lines shown in the figures are included for the purpose of illustrating portions of the loading rack and form no part of the claimed design.

1 Claim, 4 Drawing Sheets



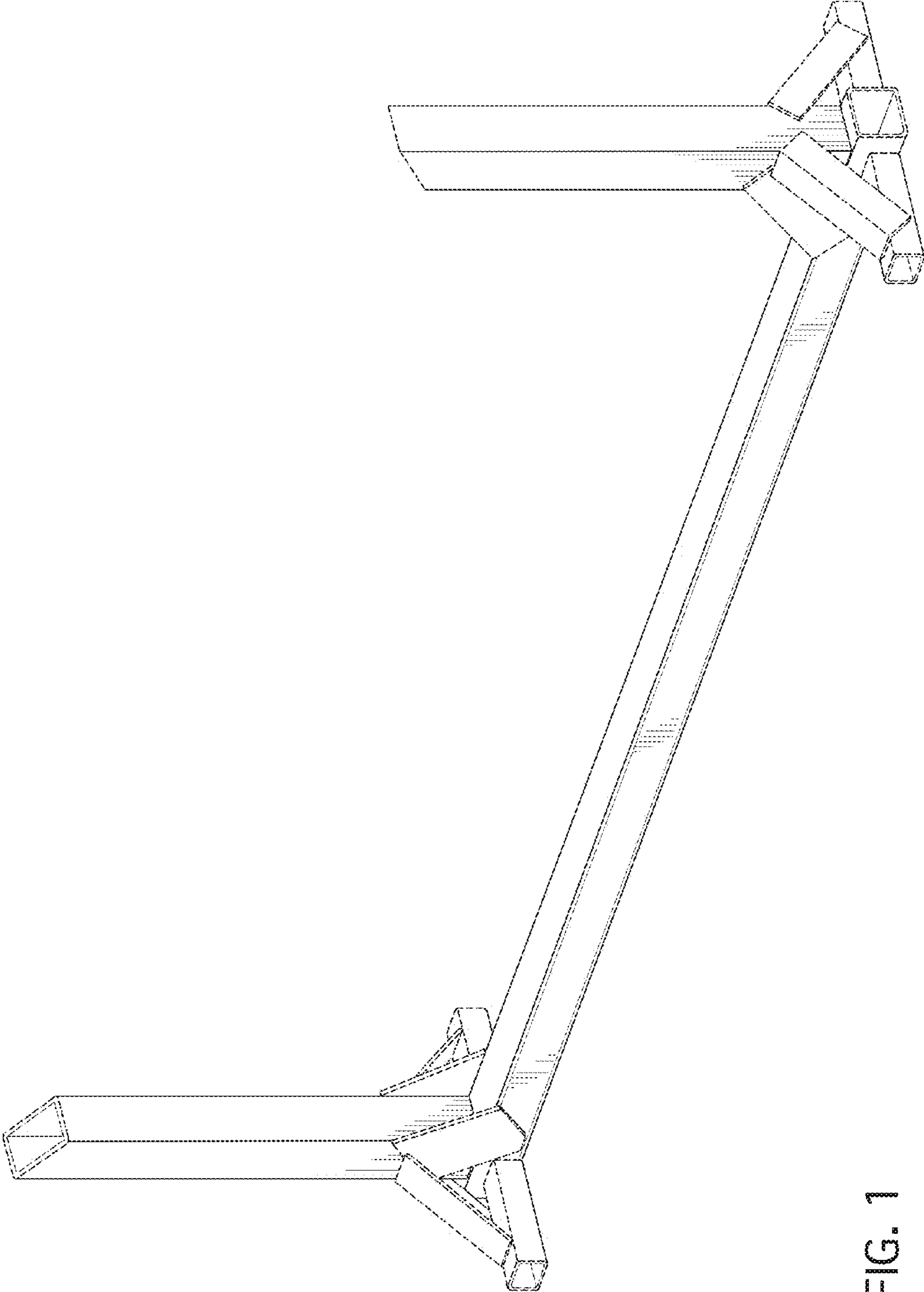


FIG. 1

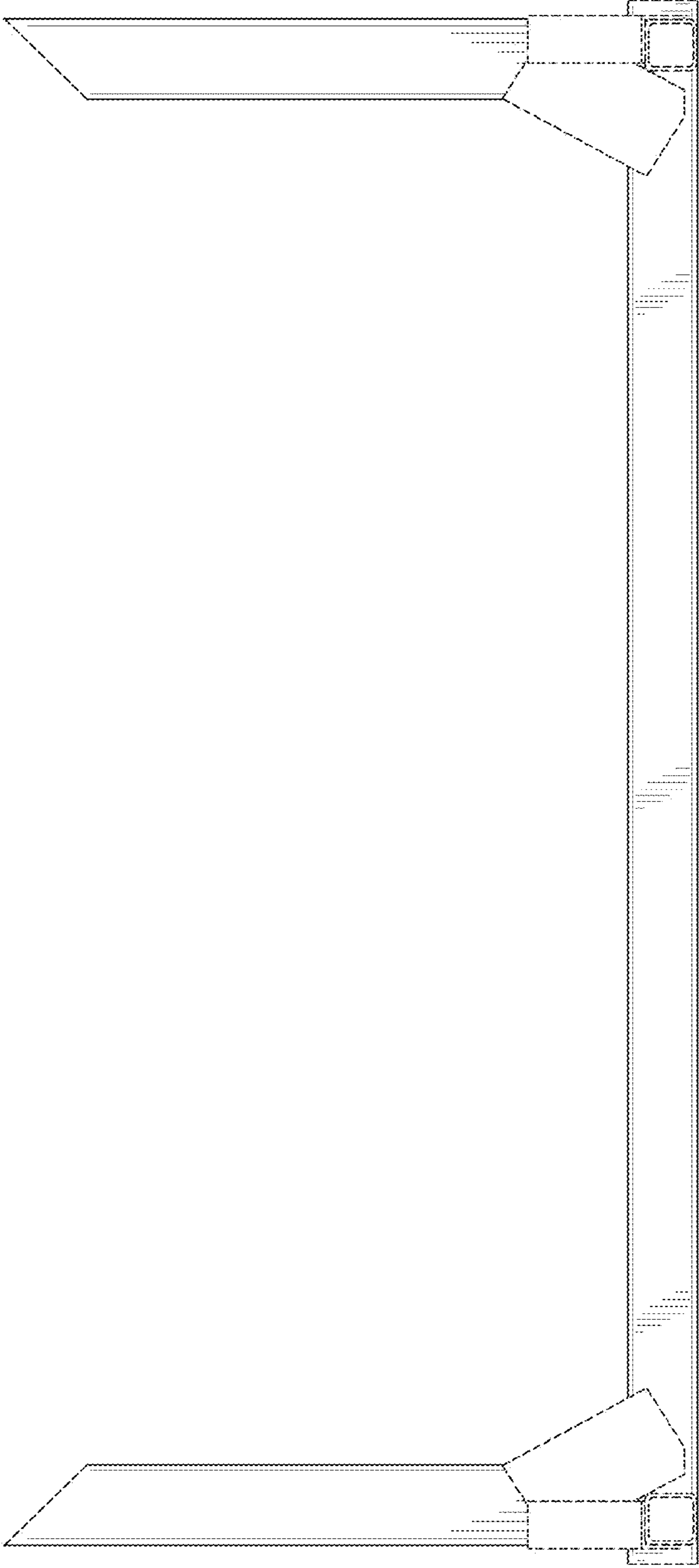


FIG.2

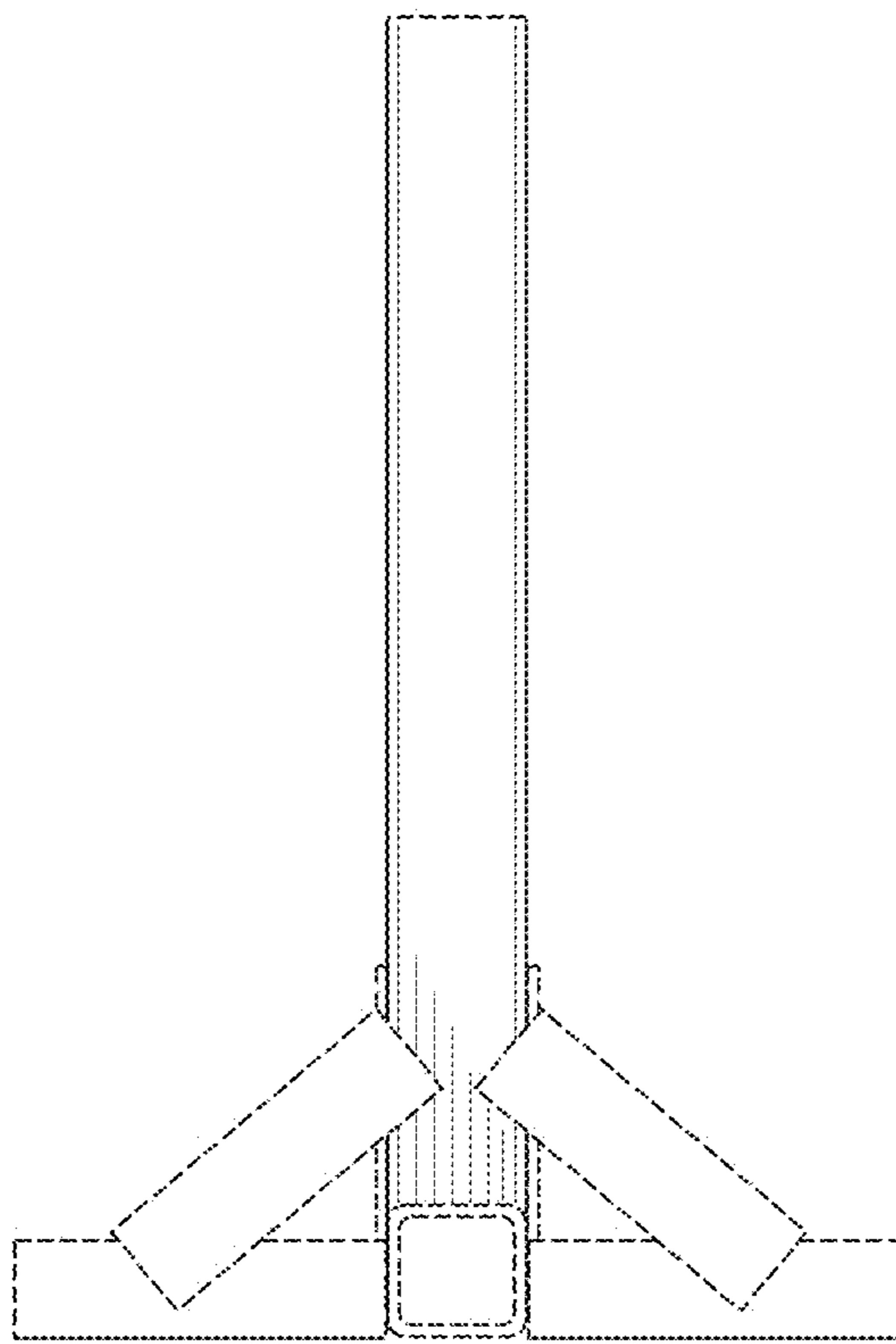


FIG.3

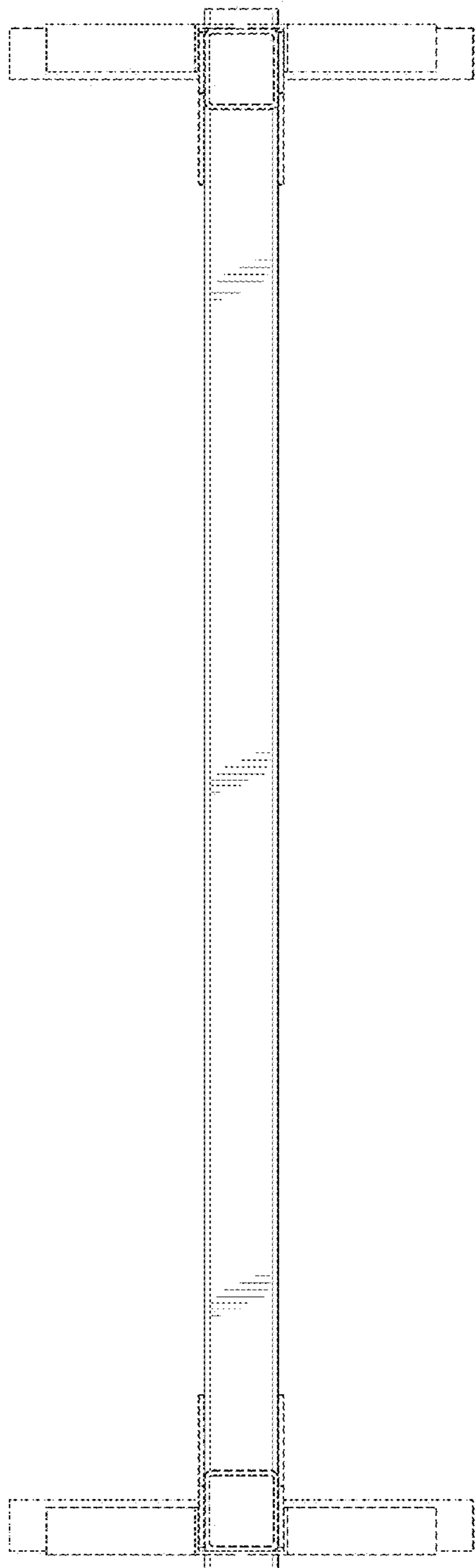


FIG. 4

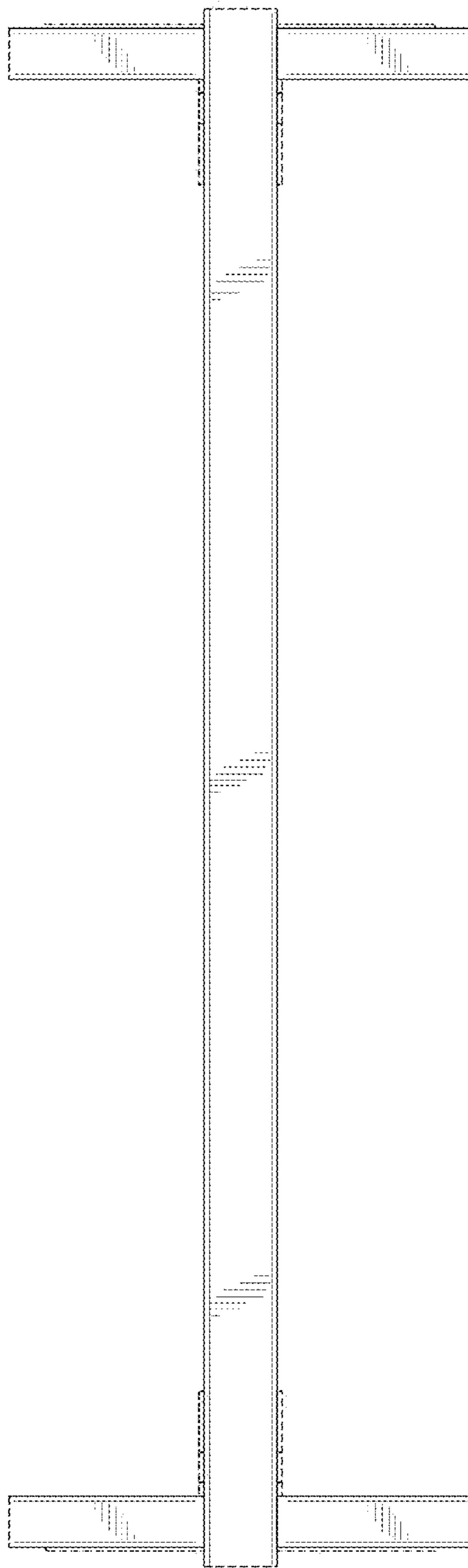


FIG. 5