



US00D748886S

(12) **United States Design Patent**  
**Grubbs, Jr.**

(10) **Patent No.:** **US D748,886 S**  
(45) **Date of Patent:** **\*\* Feb. 2, 2016**

(54) **PALLET INSERT**

(71) Applicant: **Alliance Plastics, LLC**, Rock Hill, SC  
(US)

(72) Inventor: **Ronald Grubbs, Jr.**, Charlotte, NC (US)

(\*\*) Term: **14 Years**

(21) Appl. No.: **29/488,736**

(22) Filed: **Apr. 23, 2014**

(51) **LOC (10) Cl.** ..... **09-08**

(52) **U.S. Cl.**  
USPC ..... **D34/38**

(58) **Field of Classification Search**

USPC ..... D34/38; D8/403; 108/53.1, 56.3, 57.26,  
108/56.1, 51.11; 40/584  
CPC ..... B65D 2519/00323; B65D 2519/00293;  
B65D 2519/00338  
See application file for complete search history.

(56) **References Cited**

**U.S. PATENT DOCUMENTS**

2,878,982 A \* 3/1959 Garipey ..... 206/586  
D380,680 S \* 7/1997 Sun ..... D9/456

D620,673 S \* 7/2010 Giampavolo et al. .... D34/38  
D628,879 S \* 12/2010 Kindig ..... D8/403  
D656,007 S \* 3/2012 Swoish et al. .... D8/403  
D660,454 S \* 5/2012 Lavelle ..... D24/227  
D703,909 S \* 4/2014 Freeman ..... D34/38  
D706,013 S \* 5/2014 Kupferschlager ..... D34/38  
D709,360 S \* 7/2014 Lavelle ..... D8/403  
D723,765 S \* 3/2015 Grinwald ..... D34/38

\* cited by examiner

*Primary Examiner* — Cynthia Ramirez

(74) *Attorney, Agent, or Firm* — Blake E. Vande Guarde

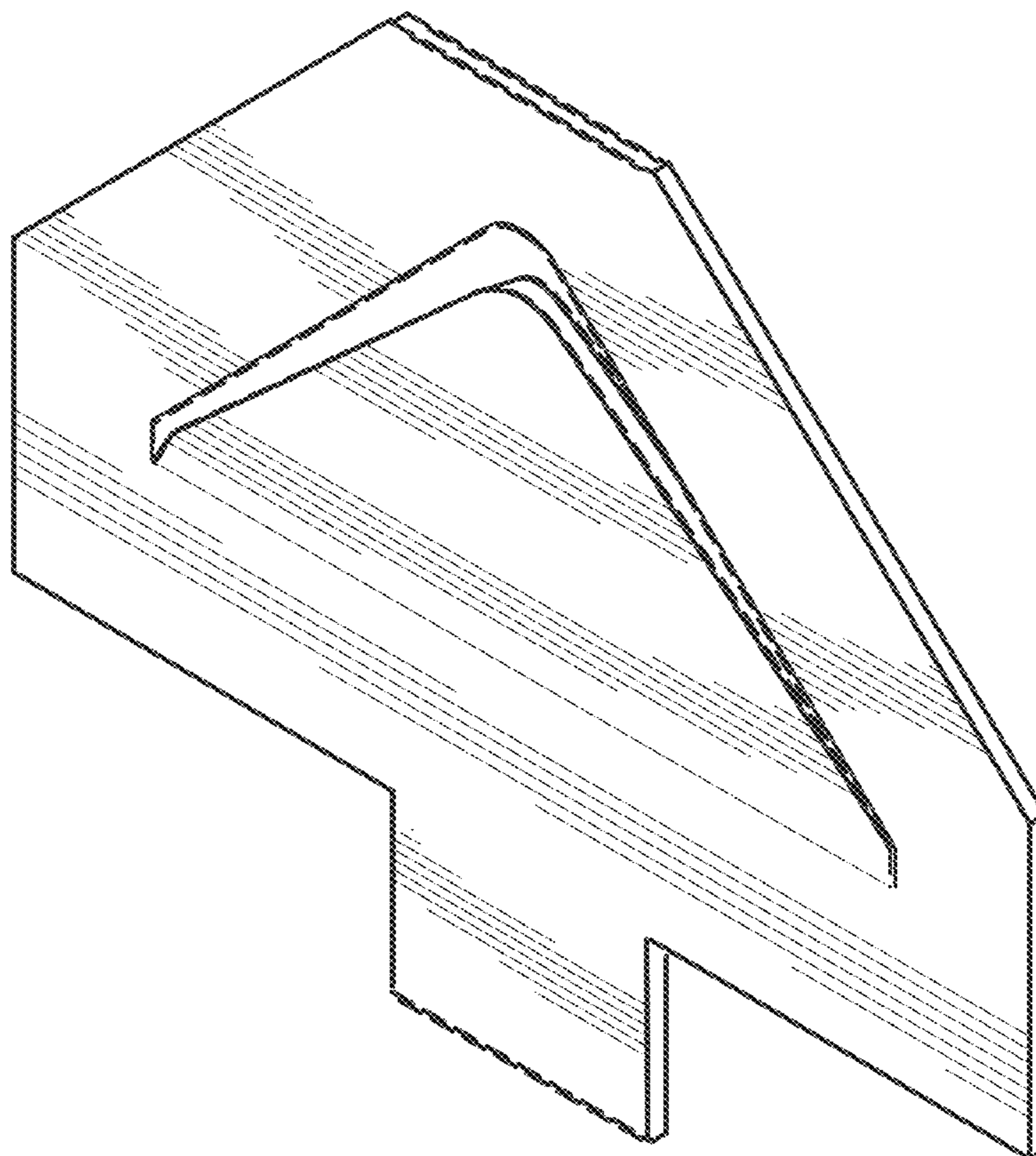
(57) **CLAIM**

The ornamental design for a pallet insert, as shown and described.

**DESCRIPTION**

FIG. 1 is a perspective view of the pallet insert showing my new design;  
FIG. 2 is a front view thereof;  
FIG. 3 is a rear view thereof;  
FIG. 4 is a top plan view thereof;  
FIG. 5 is a bottom plan view thereof;  
FIG. 6 is a side view thereof; and,  
FIG. 7 is another side view thereof.

**1 Claim, 3 Drawing Sheets**



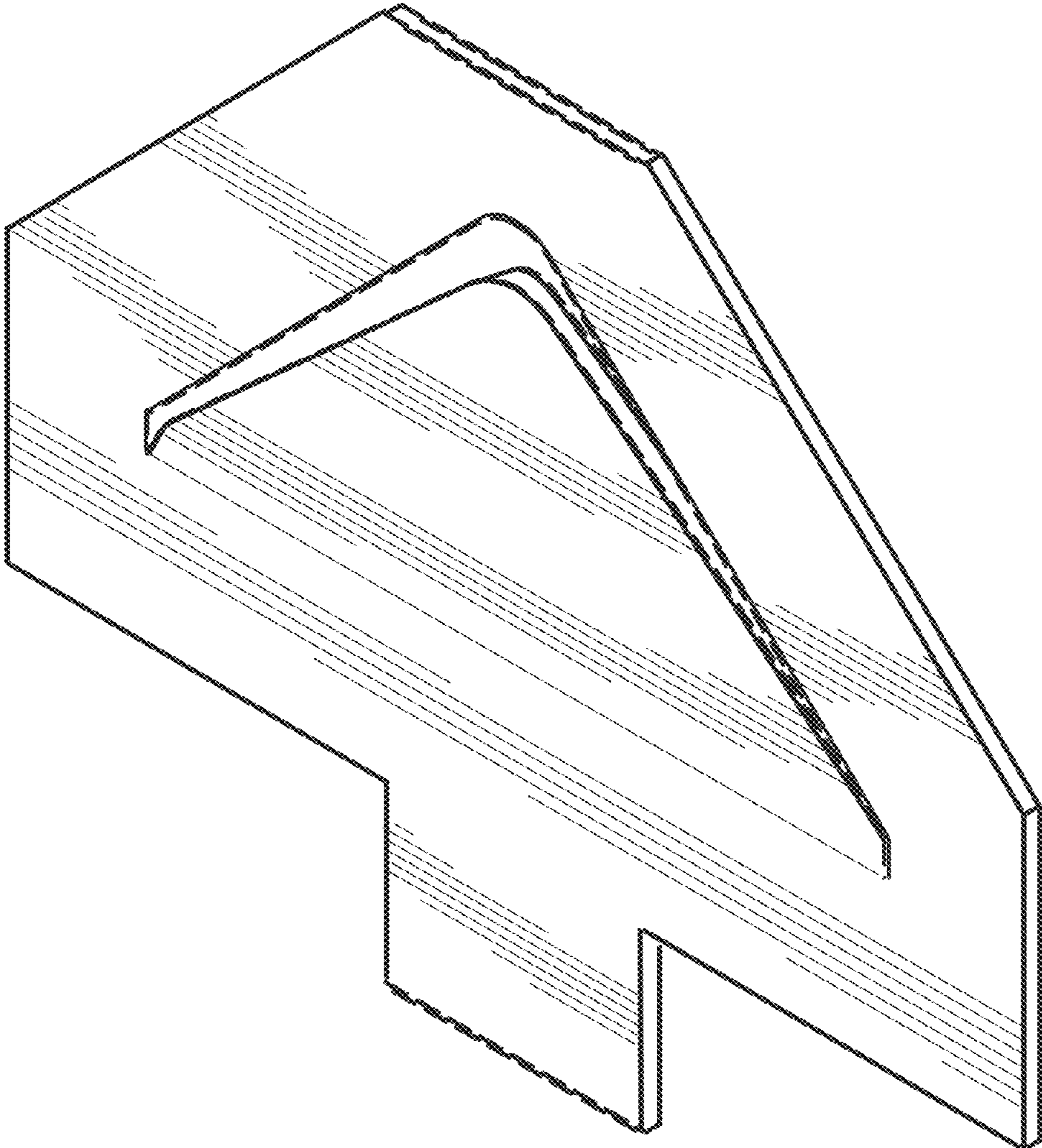


Fig. 1

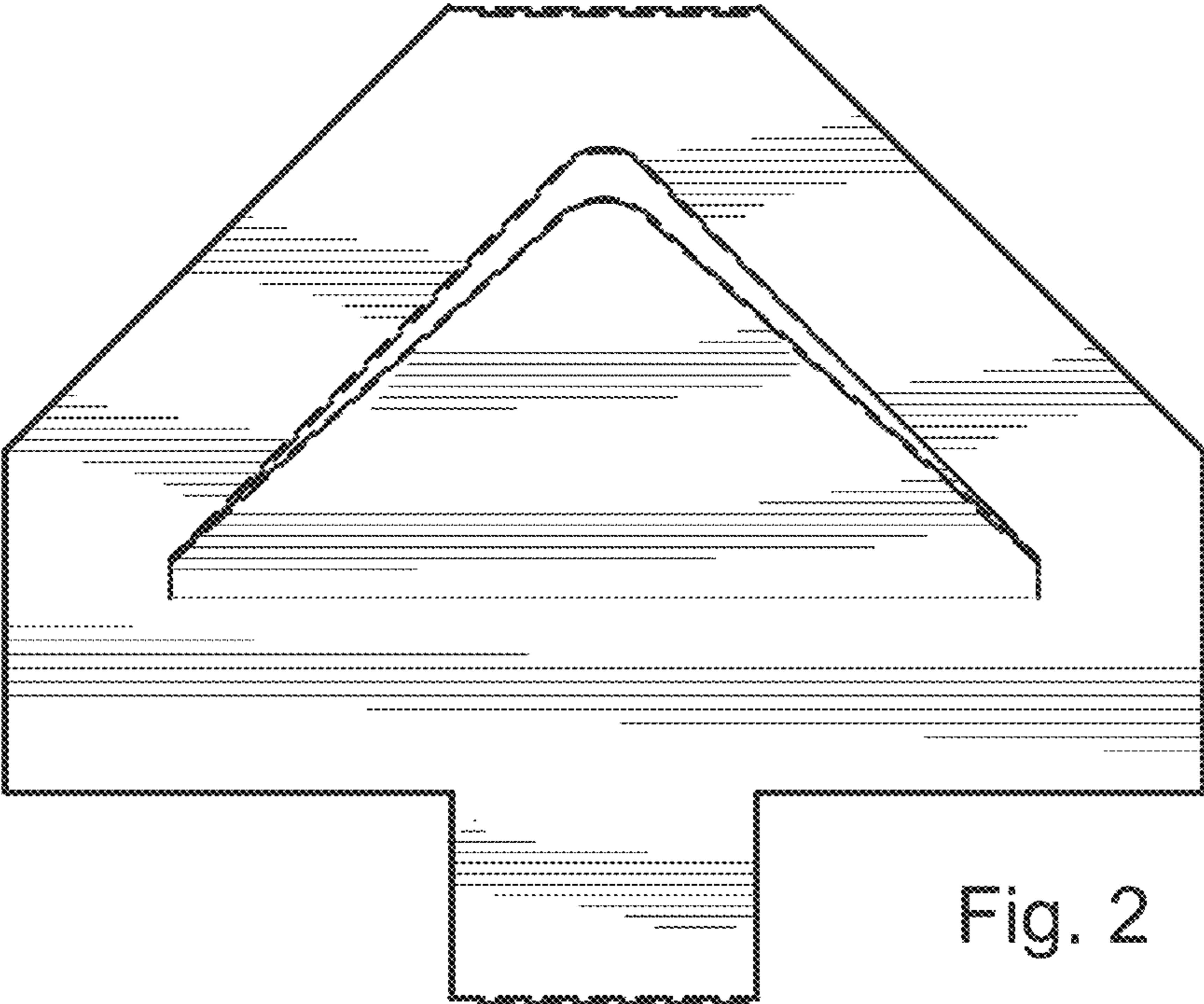


Fig. 2

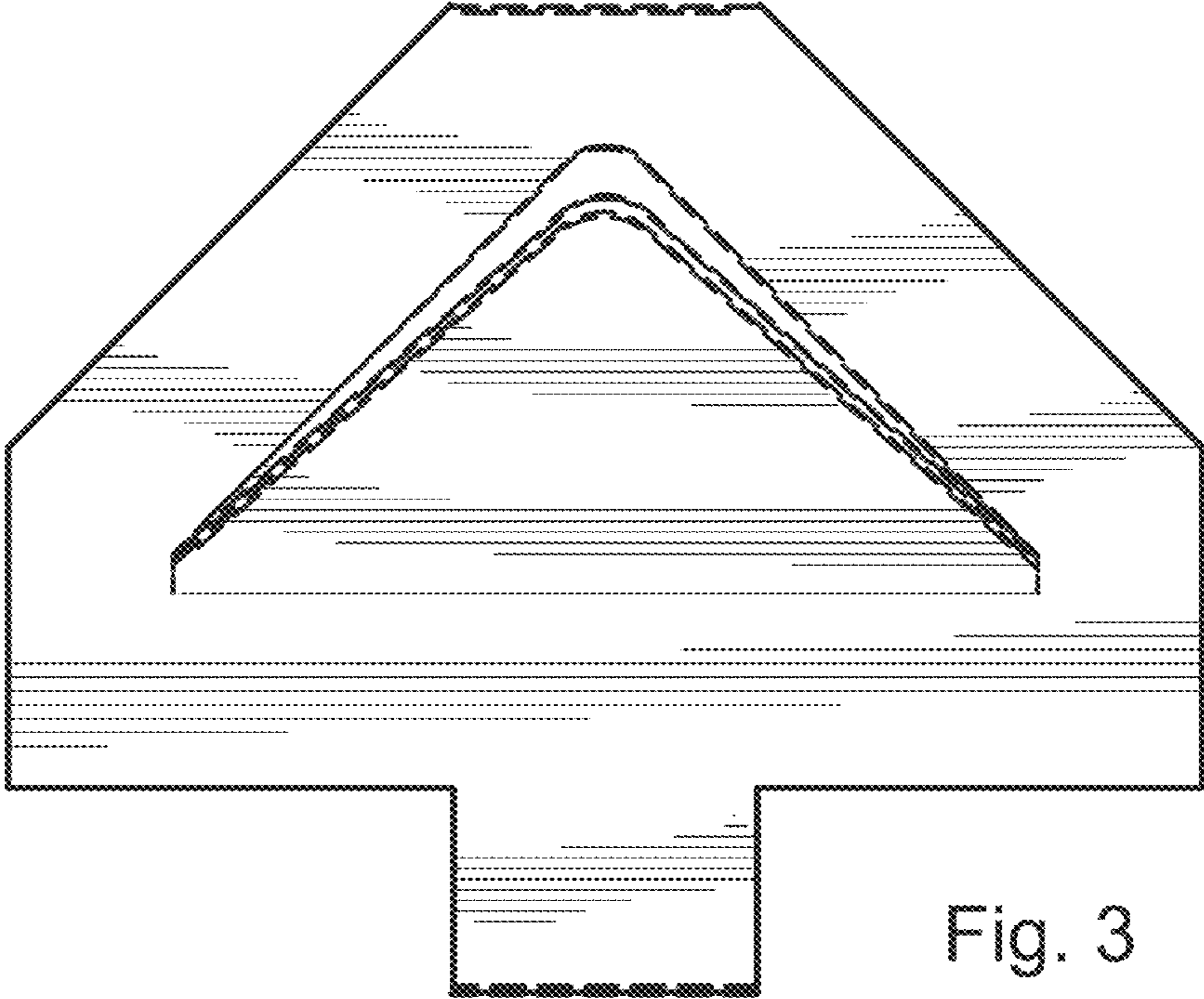


Fig. 3

Fig. 4

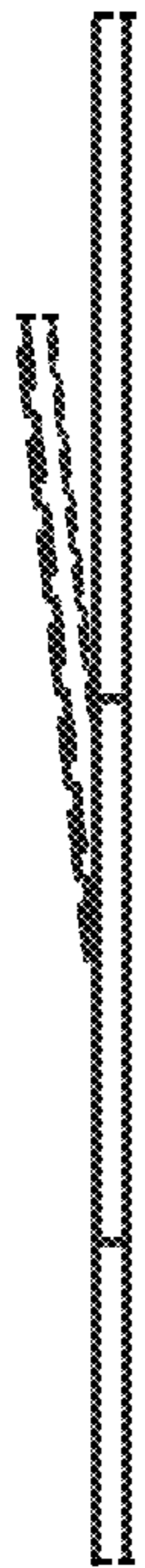
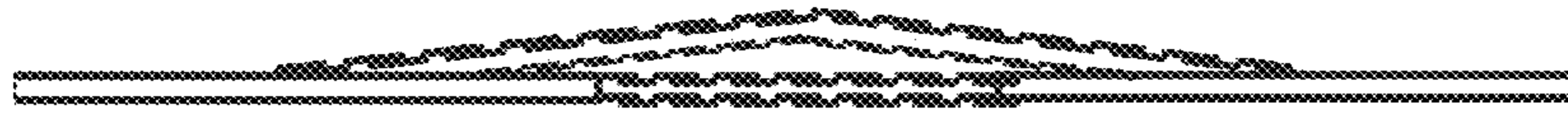


Fig. 6

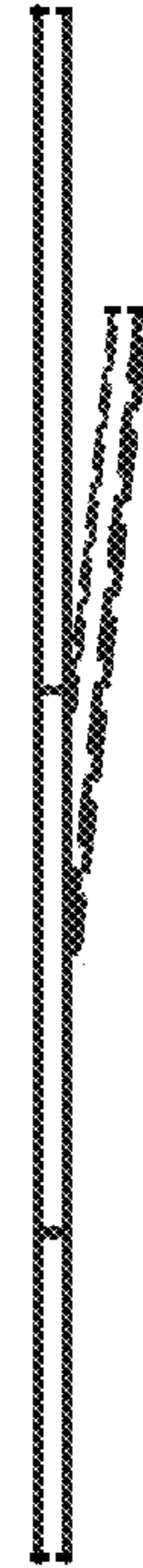


Fig. 7



Fig. 5