



US00D748884S

(12) **United States Design Patent**
Evans et al.

(10) **Patent No.:** **US D748,884 S**
(45) **Date of Patent:** **** Feb. 2, 2016**

(54) **LINER FOR A GROCERY CART**
(71) Applicant: **4-TENS LLC**, Coal Valley, IL (US)
(72) Inventors: **Terry L. Evans**, Washington, IL (US);
Nancy L. Weddle Evans, Washington,
IL (US); **George E. Kuykendall**, Coal
Valley, IL (US); **Sandra K. Kuykendall**,
Coal Valley, IL (US)

6,129,417 A * 10/2000 Cohen-Fyffe B62B 3/144
297/219.12
D484,665 S * 12/2003 Richardson D34/27
D492,830 S * 7/2004 Rogers D34/27
7,100,982 B2 * 9/2006 Lundgren B62B 3/144
280/33.992
D590,567 S 4/2009 Latham
D615,271 S * 5/2010 Bruner D34/27
D659,935 S * 5/2012 Smith D34/27
D677,851 S 3/2013 Harris
2008/0012253 A1 * 1/2008 Short B62B 3/1464
280/33.992

(73) Assignee: **4 TENS, LLC**, Coal Valley, IL (US)

* cited by examiner

(**) Term: **14 Years**

Primary Examiner — Cynthia Ramirez

(21) Appl. No.: **29/507,231**

(74) *Attorney, Agent, or Firm* — Howard & Howard
Attorneys PLLC

(22) Filed: **Oct. 24, 2014**

(51) **LOC (10) Cl.** **12-02**

(52) **U.S. Cl.**
USPC **D34/27**

(58) **Field of Classification Search**
USPC D34/27; 280/33.993, 33.992;
297/219.12, 229, 250.1, 256.15,
297/256.17, 487

CPC B62B 3/144; B62B 3/1448; B62B 3/1452;
B62B 3/1444

See application file for complete search history.

(57) **CLAIM**

The ornamental design for a liner for a grocery cart, as shown
and described.

DESCRIPTION

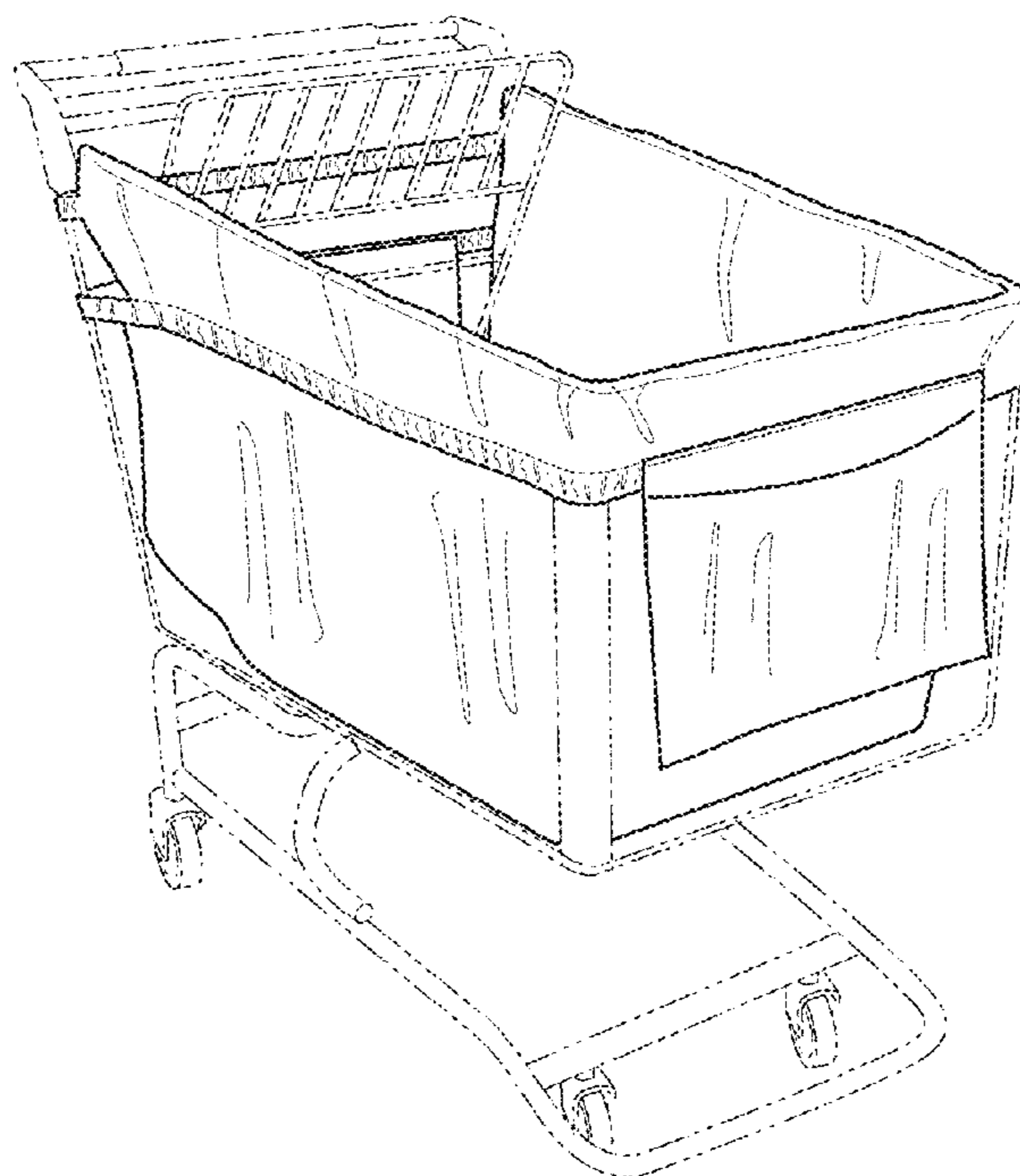
FIG. 1 is front perspective view of a liner for a grocery cart
showing our new design;
FIG. 2 is a rear perspective view of the liner from FIG. 1;
FIG. 3 is an elevational view of the liner from FIGS. 1 and 2;
FIG. 4 is a top plan view of the liner from FIGS. 1-3;
FIG. 5 is an opposite side elevational view of the liner from
FIG. 3; and,
FIG. 6 is a bottom plan view of the liner from FIGS. 1-5.
The dash-dot-dot lines in the figures are for the purpose of
illustrating environment only and form no part of the claimed
design.

(56) **References Cited**

U.S. PATENT DOCUMENTS

5,238,293 A * 8/1993 Gibson B62B 3/144
280/33.993
5,649,718 A * 7/1997 Groglio B60R 5/04
280/43.17

1 Claim, 5 Drawing Sheets



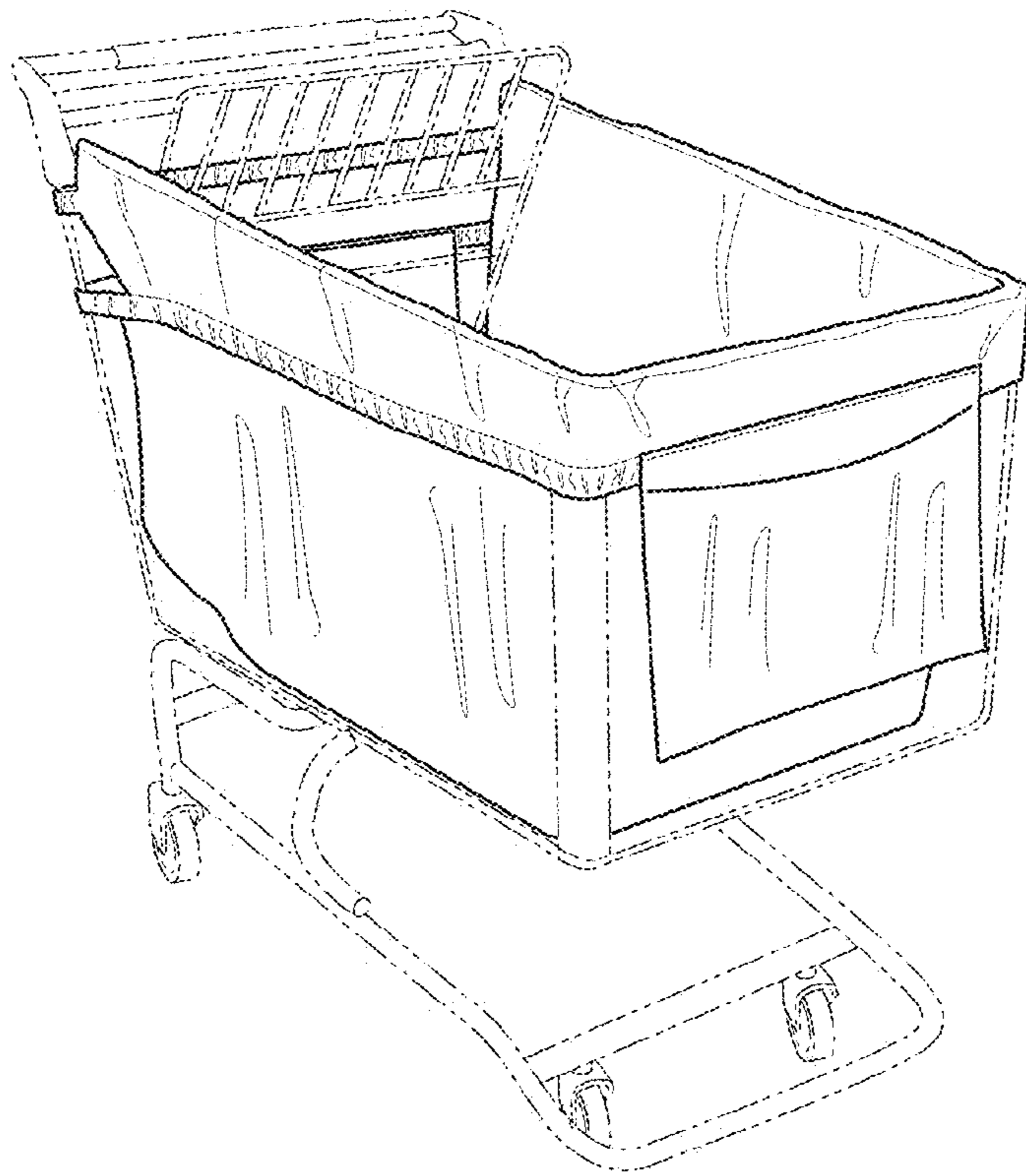


FIG. 1

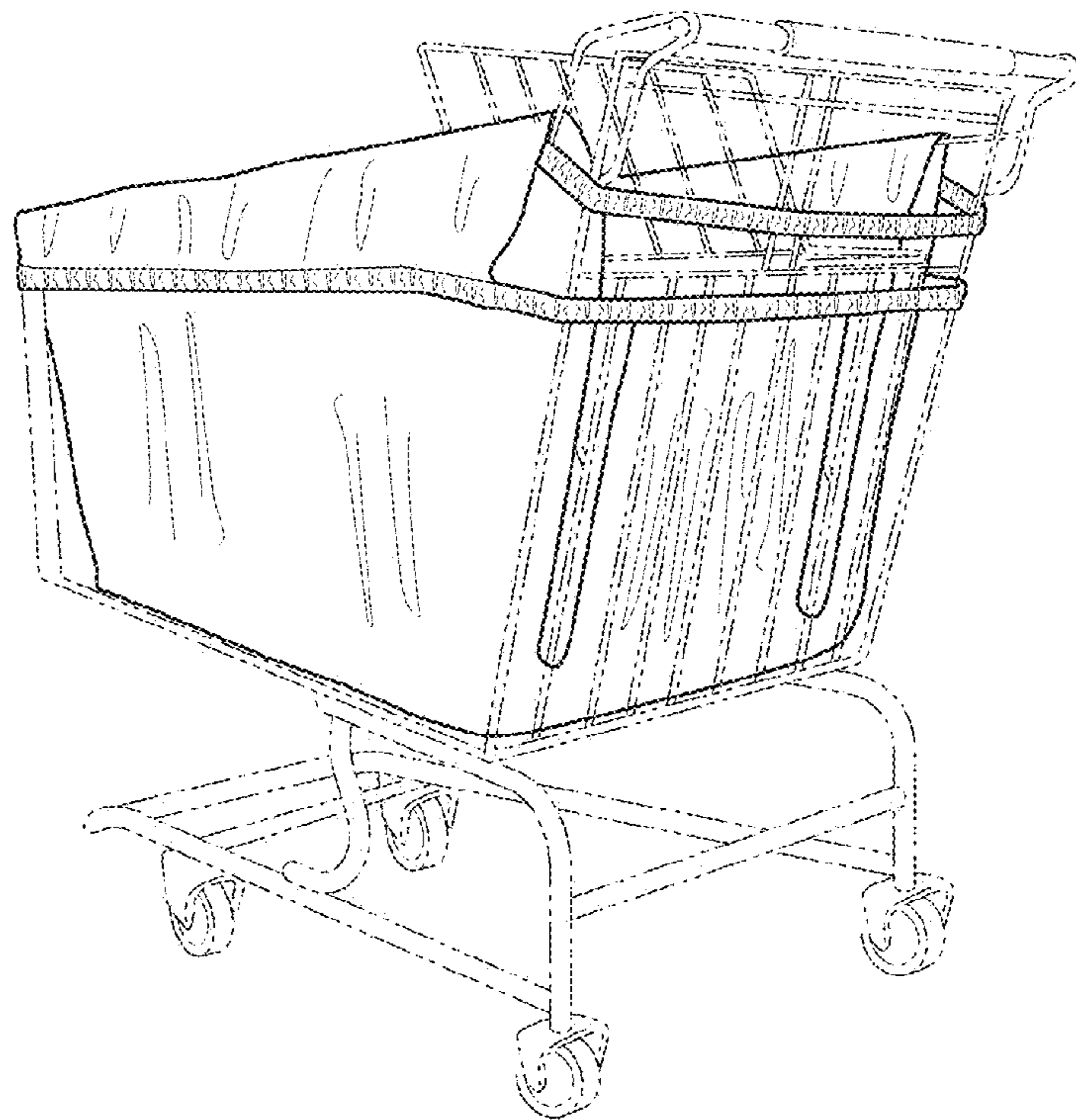


FIG. 2

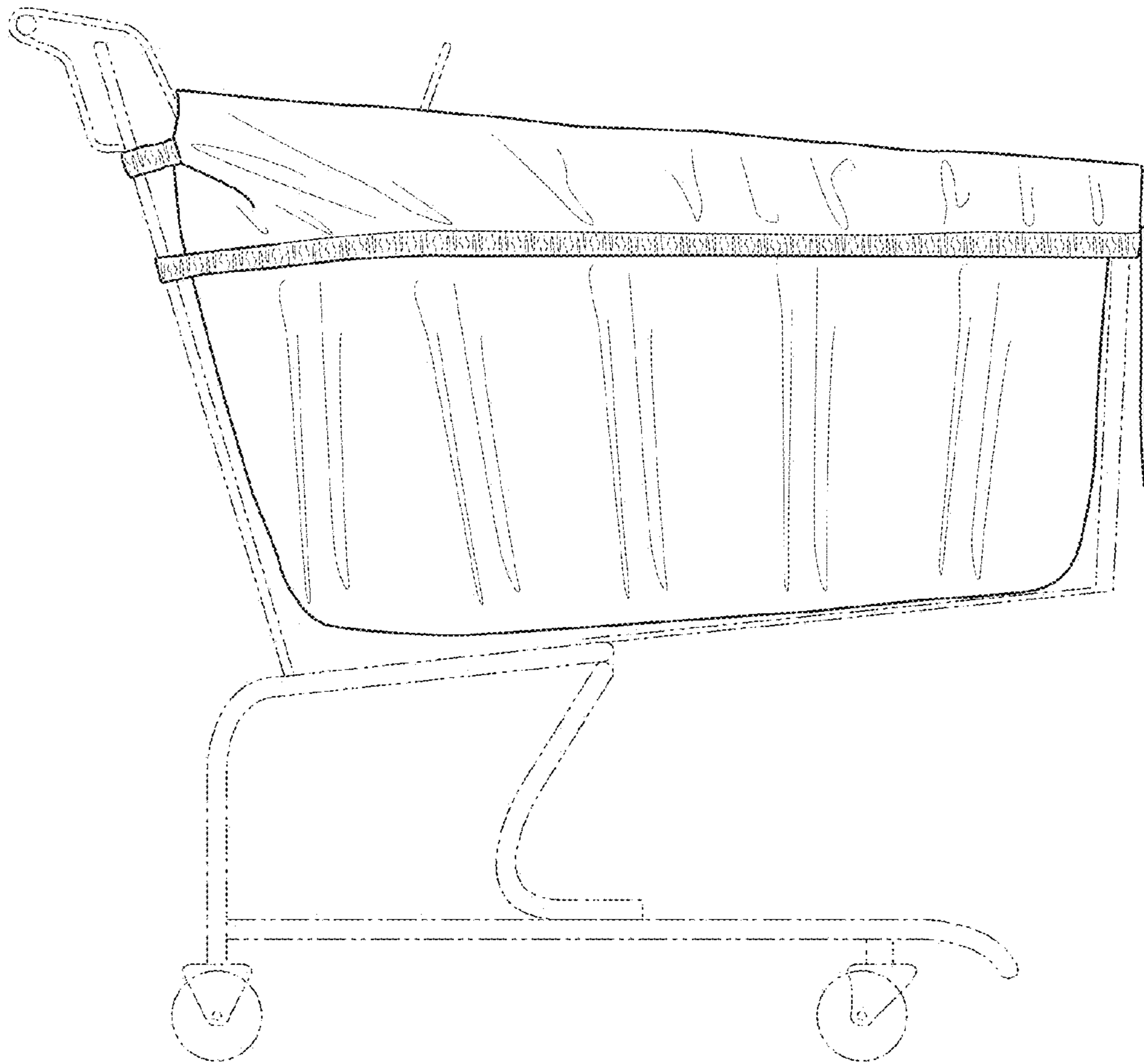


FIG. 3

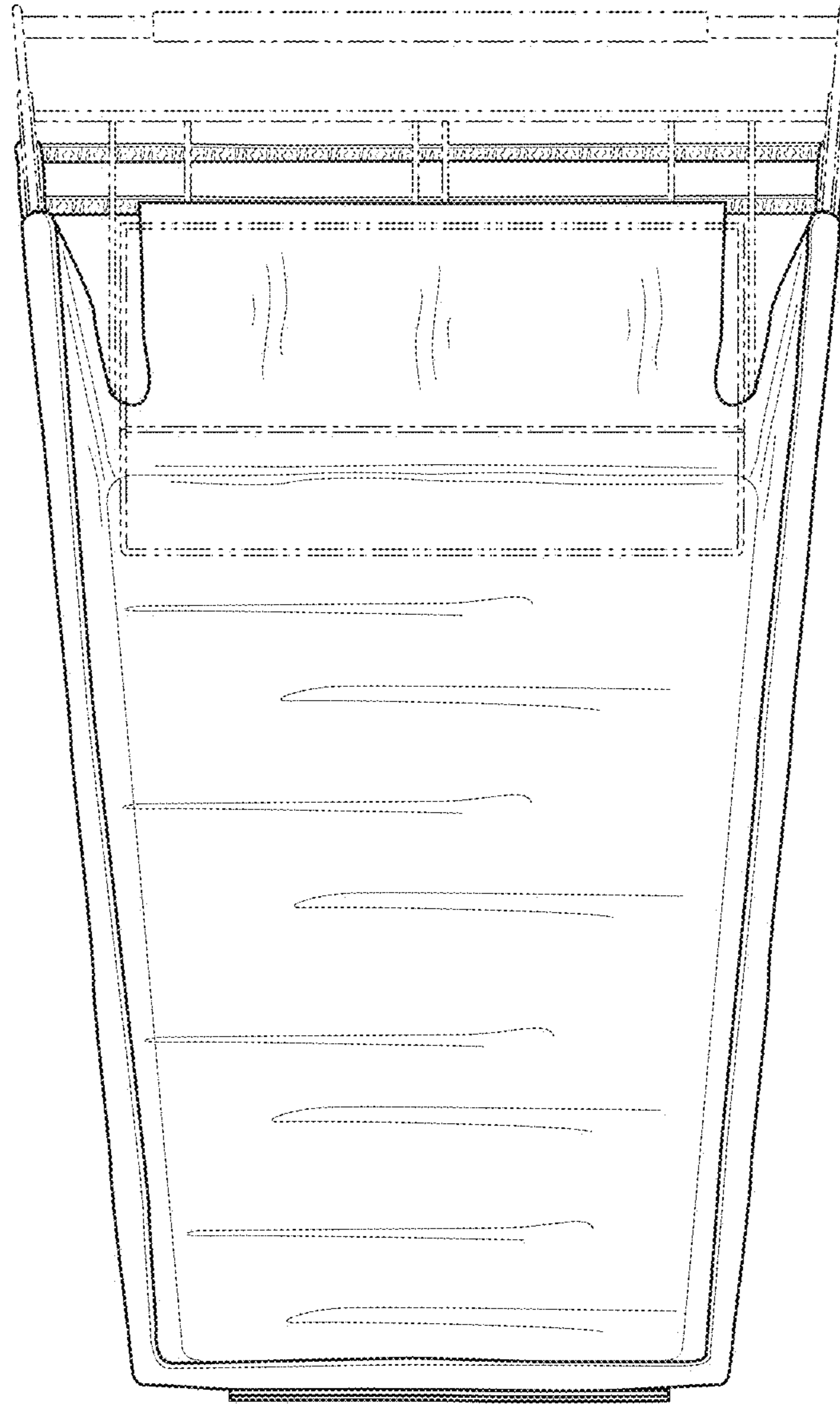


FIG. 4

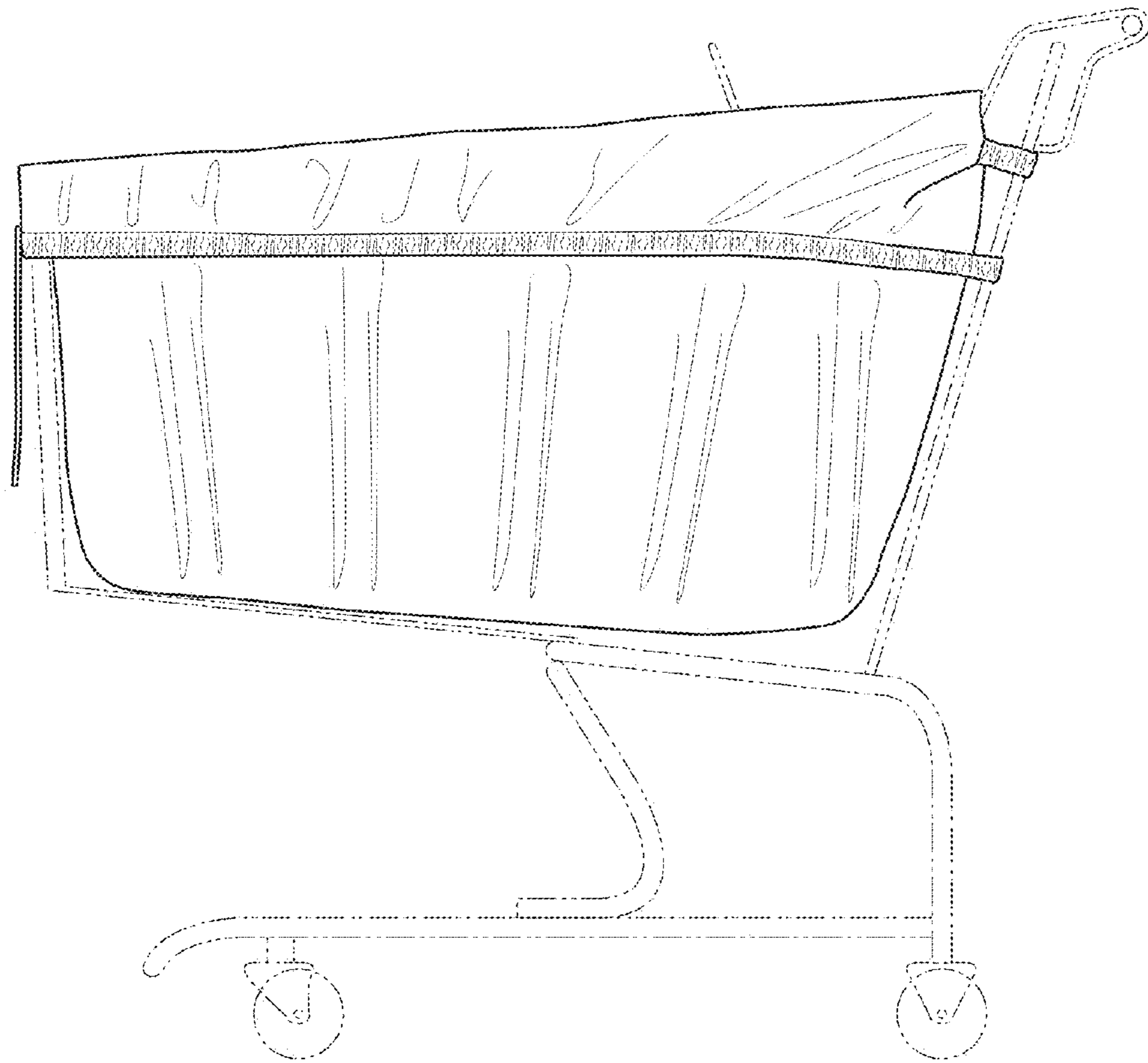


FIG. 5

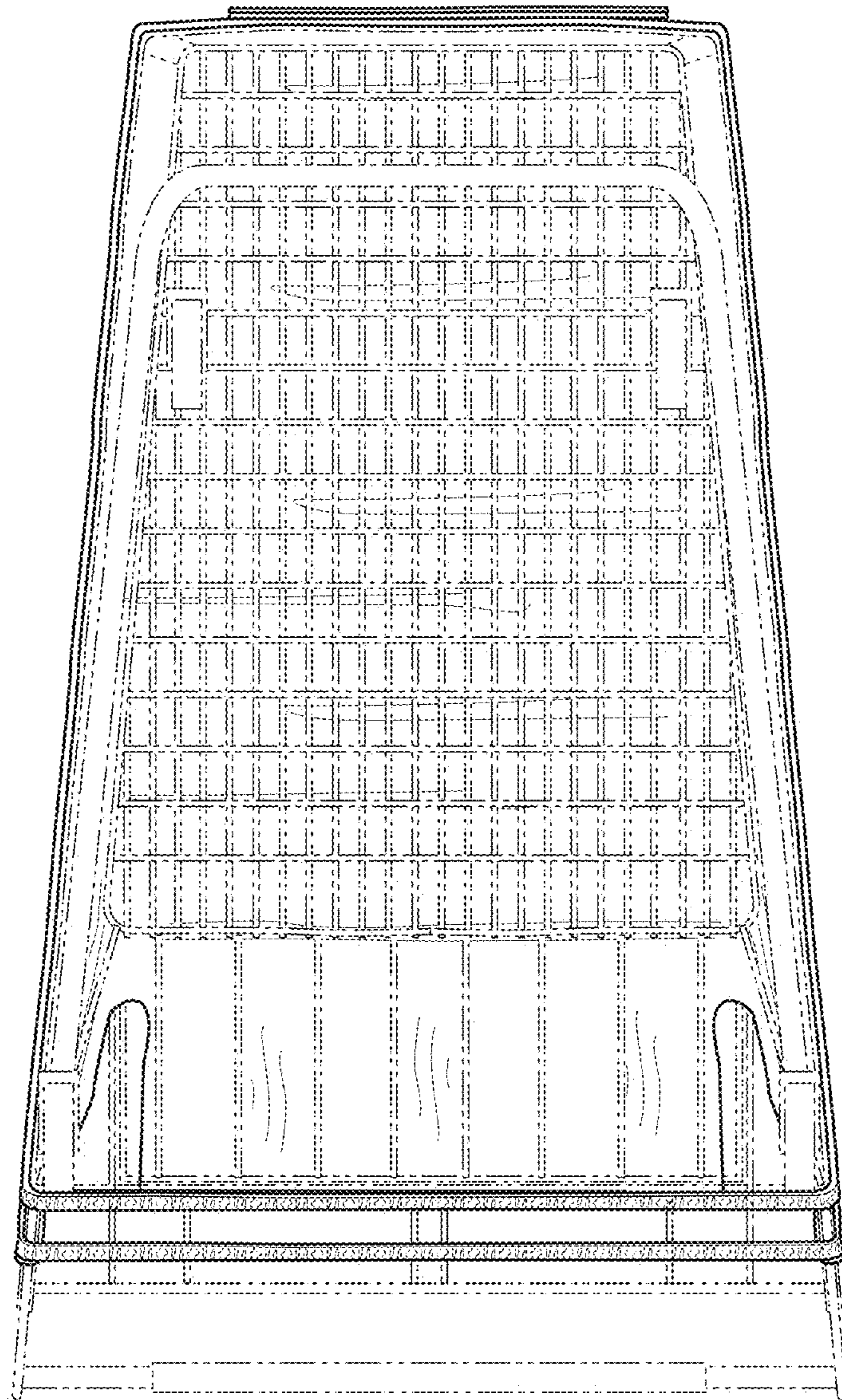


FIG. 6