



US00D748883S

(12) **United States Design Patent**
Fischer, Jr. et al.

(10) **Patent No.:** **US D748,883 S**
(45) **Date of Patent:** **** Feb. 2, 2016**

- (54) **WHEELED HOSE CART**
- (71) Applicant: **Suncast Technologies, LLC**, Palm Beach Gardens, FL (US)
- (72) Inventors: **Gary M. Fischer, Jr.**, Poplar Grove, IL (US); **Michael Thuma**, La Grange, IL (US); **Torrence Anderson**, Overland Park, KS (US); **Michael R. Vogler**, Oswego, IL (US)
- (73) Assignee: **Suncast Technologies, LLC**, Palm Beach Gardens, FL (US)
- (**) Term: **14 Years**
- (21) Appl. No.: **29/499,658**
- (22) Filed: **Aug. 18, 2014**
- (51) **LOC (10) Cl.** **12-02**
- (52) **U.S. Cl.**
USPC **D34/25**
- (58) **Field of Classification Search**
USPC D34/1-27; 417/234; 137/355.12, 137/355.26; 280/33.991, 33.992, 3.994
CPC B65H 75/403; B65H 2701/5136; B65H 75/40
See application file for complete search history.

7,017,603	B1 *	3/2006	Rosine	B65H 75/403 137/342
D530,875	S *	10/2006	Rosine	D34/17
D547,518	S *	7/2007	McConnell	D34/24
D635,448	S *	4/2011	Thuma	D8/359
8,096,317	B2 *	1/2012	Uffner	B65H 75/40 137/355.12
8,439,651	B2 *	5/2013	Gilpatrick	F04B 17/06 137/355.12
2003/0034417	A1 *	2/2003	Tisbo	B65H 75/40 242/395
2003/0213865	A1 *	11/2003	Moon	B65H 75/40 242/390.8
2005/0017117	A1 *	1/2005	Moon	B65H 75/403 242/390.8
2010/0155520	A1 *	6/2010	Whitehead	B65H 75/40 242/395.1

* cited by examiner

Primary Examiner — Cynthia Ramirez
Assistant Examiner — Gino Colan
(74) *Attorney, Agent, or Firm* — McHale & Slavin, P.A.

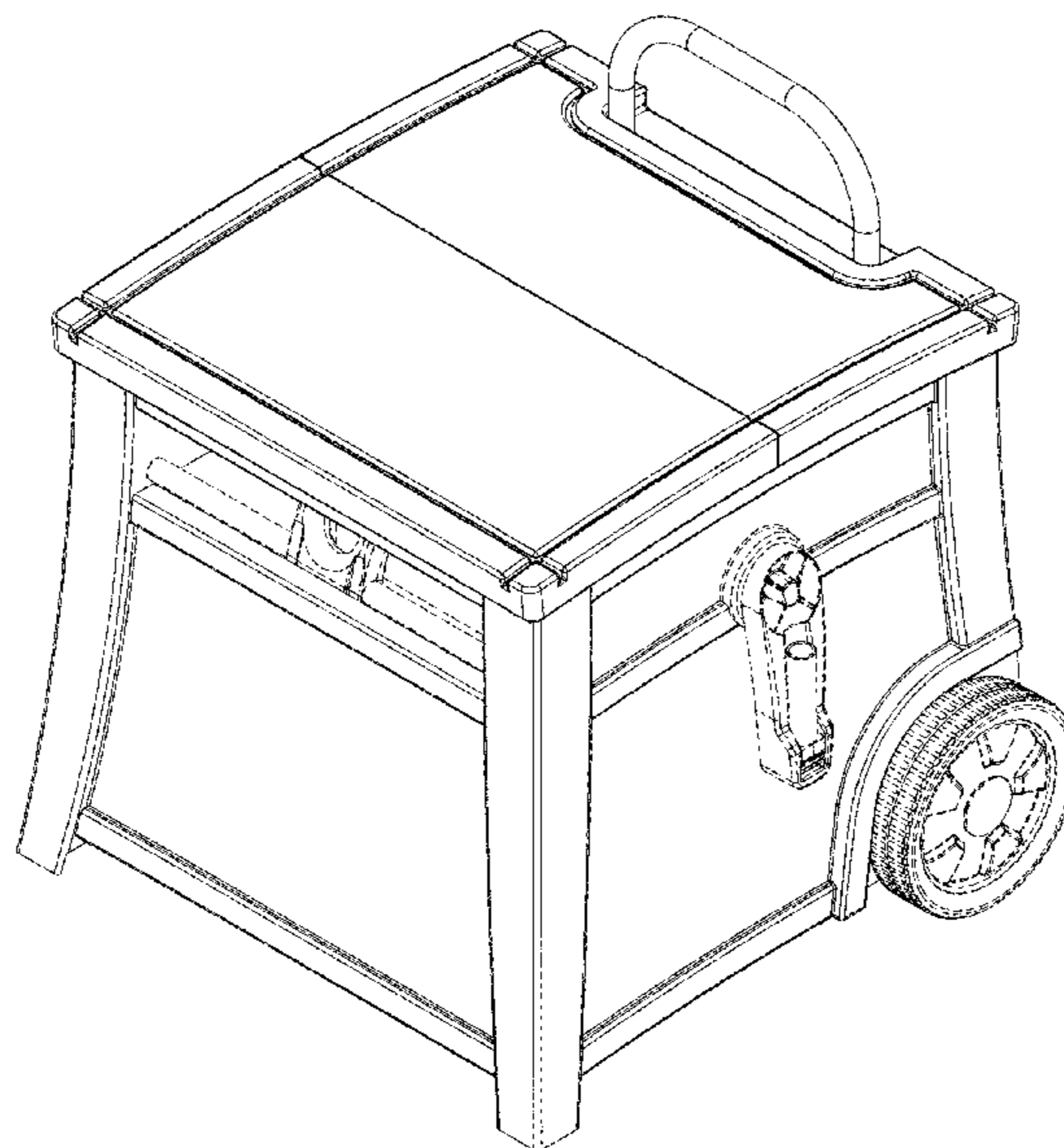
(57) **CLAIM**
The ornamental design for a wheeled hose cart, as shown and described.

DESCRIPTION

FIG. 1 is a top right perspective view of the wheeled hose cart of the present invention;
FIG. 2 is a front view thereof;
FIG. 3 is a left side view thereof;
FIG. 4 is a right side view thereof;
FIG. 5 is a rear view thereof;
FIG. 6 is a top view thereof; and,
FIG. 7 is a rear perspective view thereof.
The portions of the wheeled hose cart illustrated in broken lines form no part of the claimed subject matter.

1 Claim, 7 Drawing Sheets

- (56) **References Cited**
U.S. PATENT DOCUMENTS
D378,456 S * 3/1997 Speicher D34/24
6,050,291 A * 4/2000 Whitehead B65H 75/40
137/355.16
D506,123 S * 6/2005 English D8/358
6,913,221 B2 * 7/2005 Moon B65H 75/40
137/355.2
6,976,649 B2 * 12/2005 Tisbo B65H 75/40
137/355.26



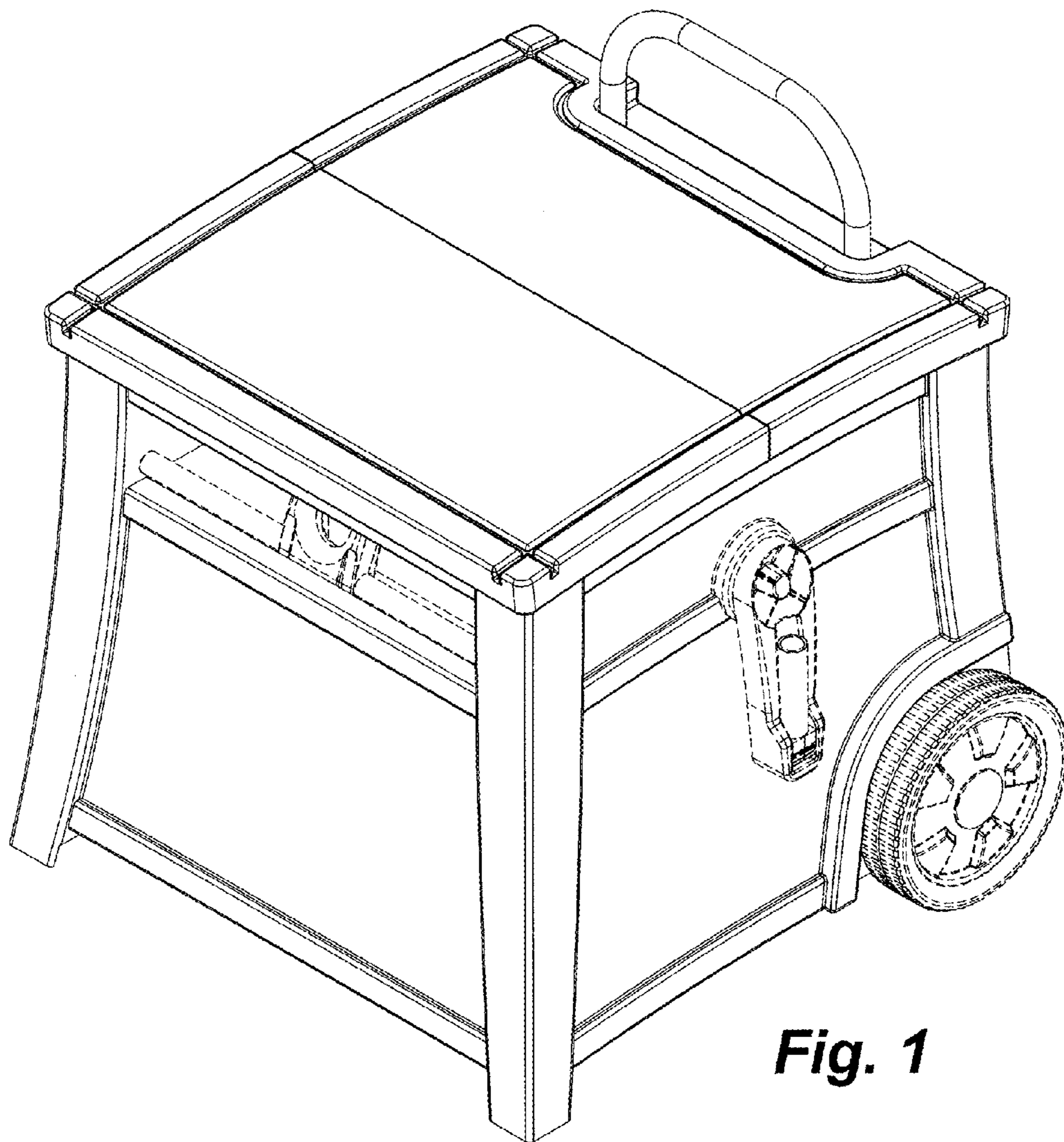


Fig. 1

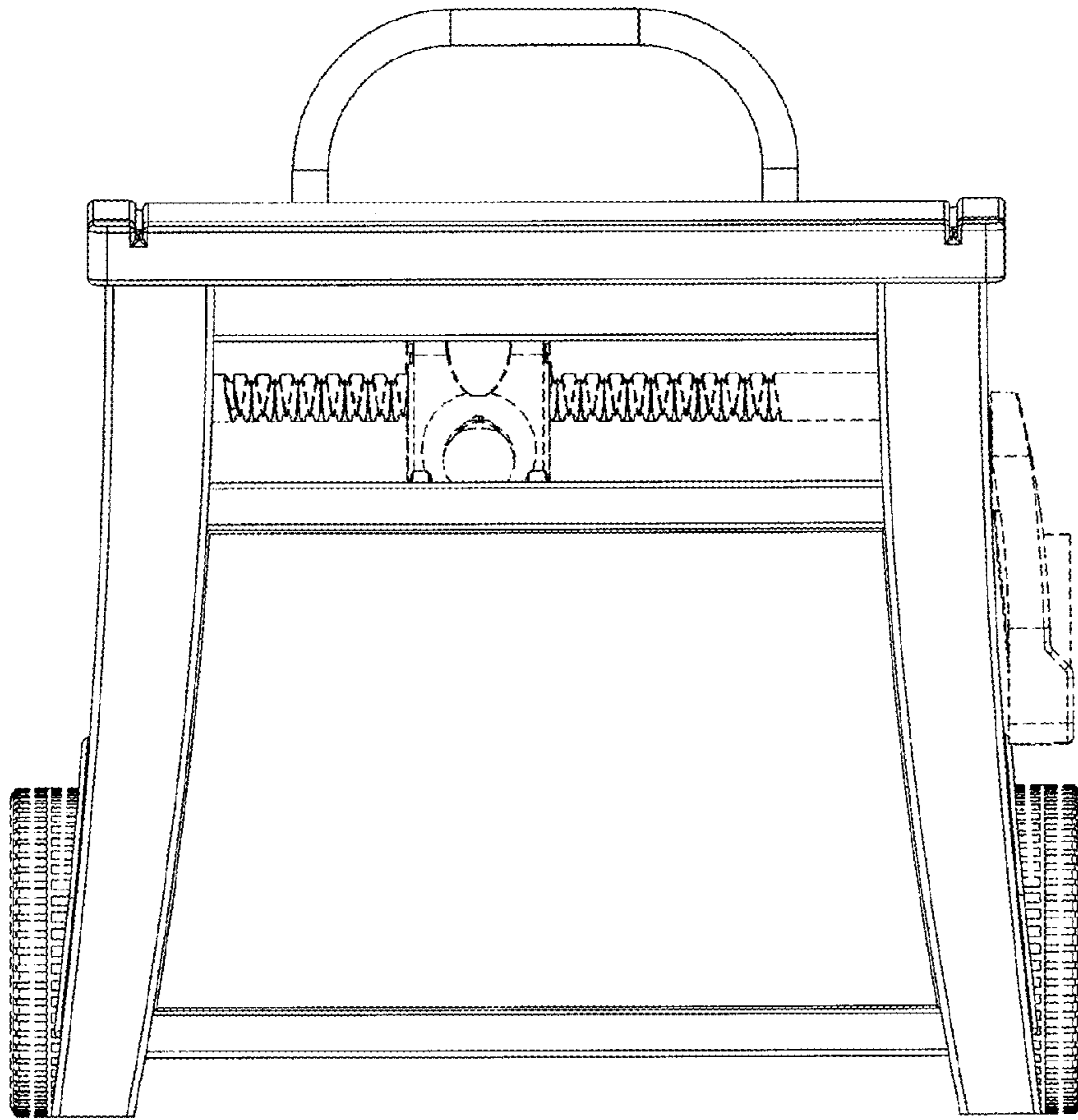


Fig. 2

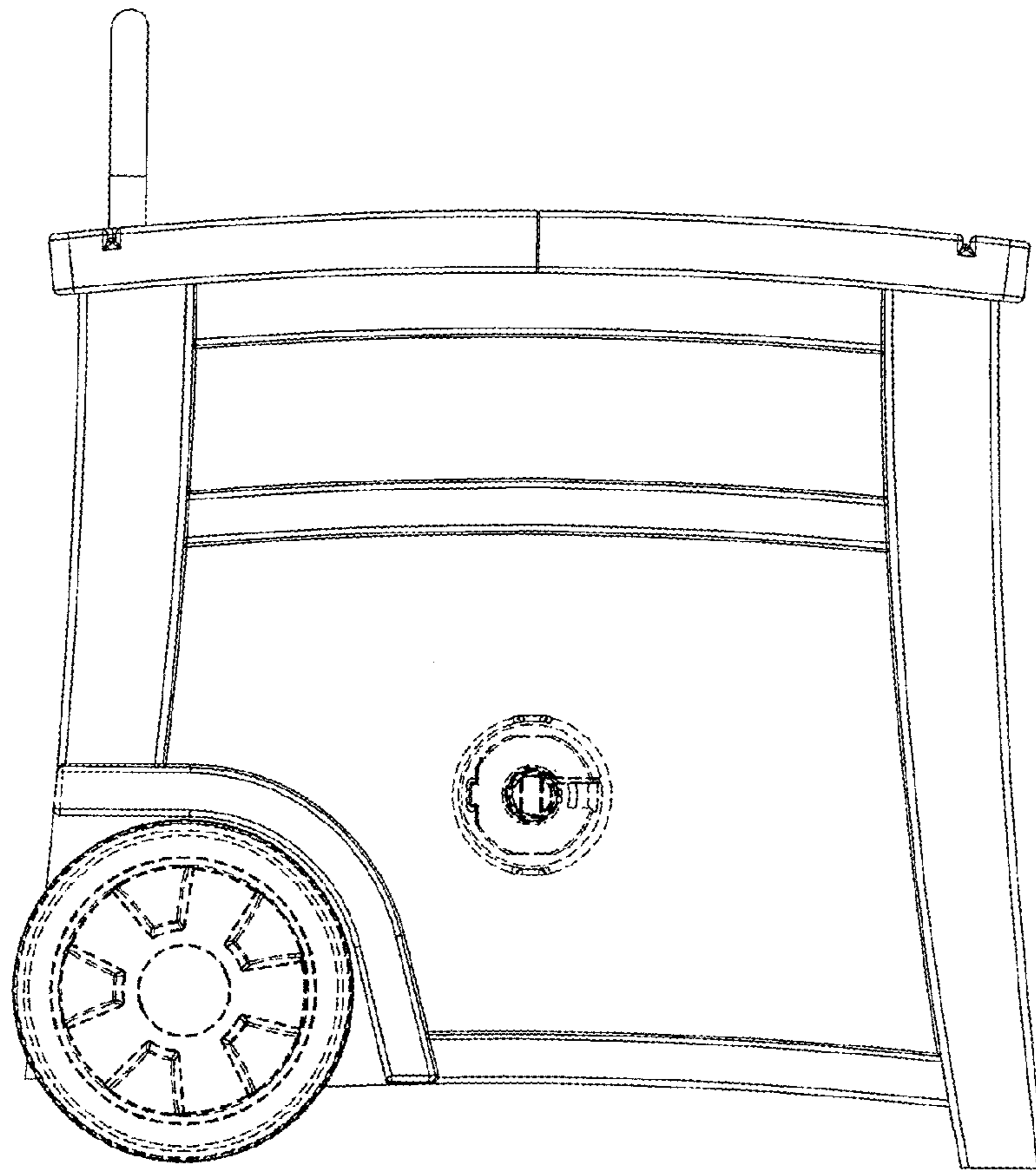


Fig. 3

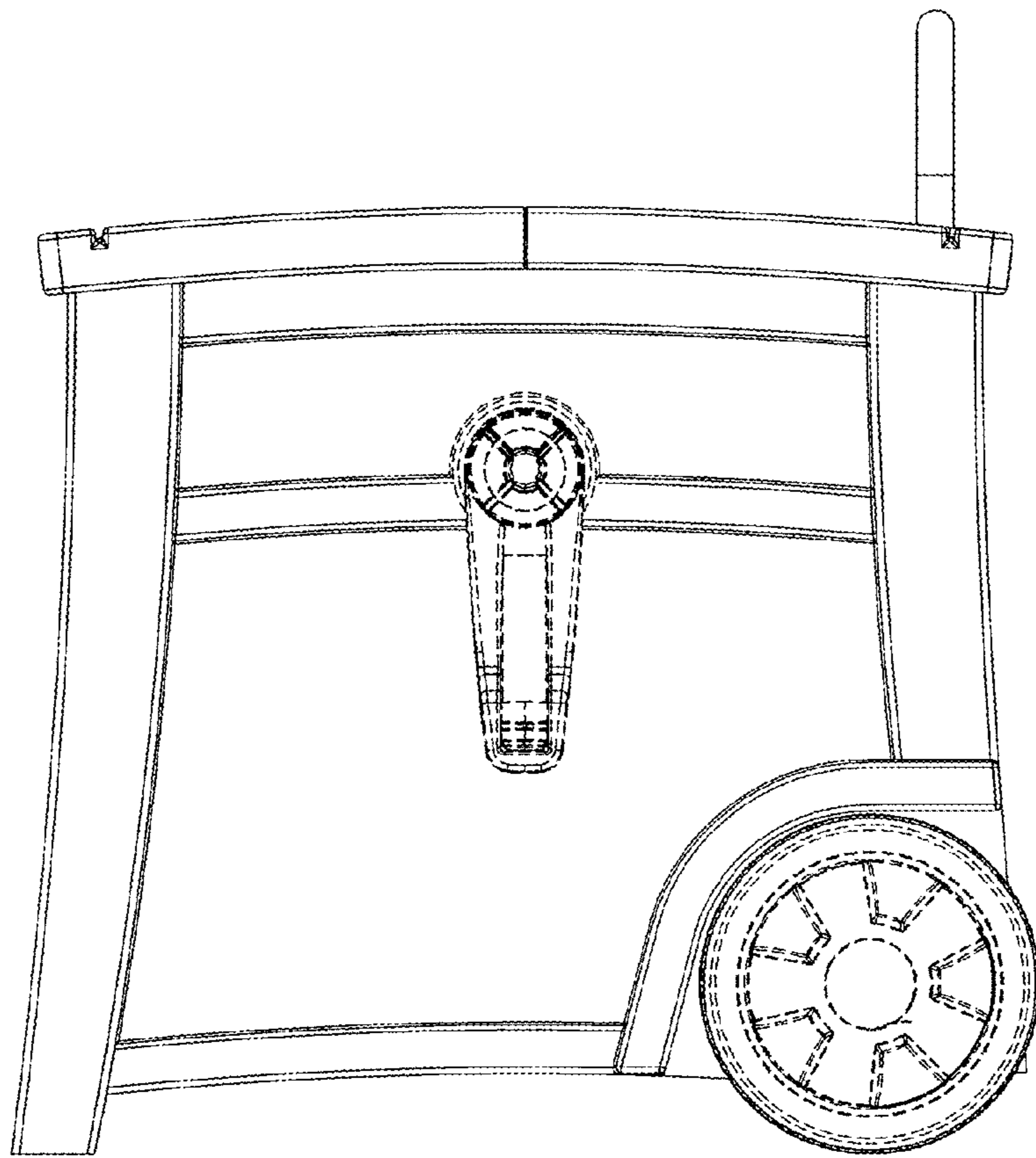


Fig. 4

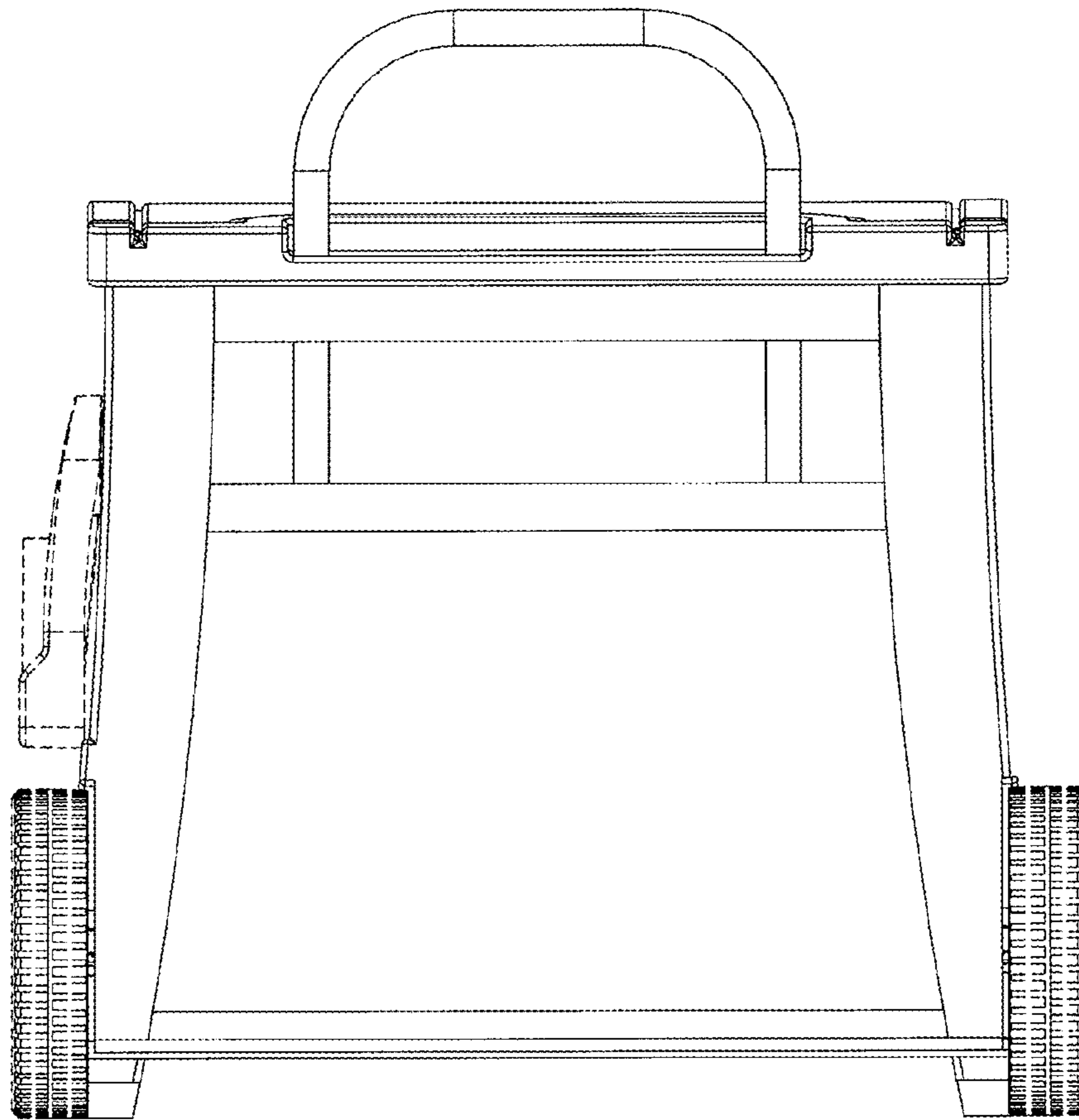


Fig. 5

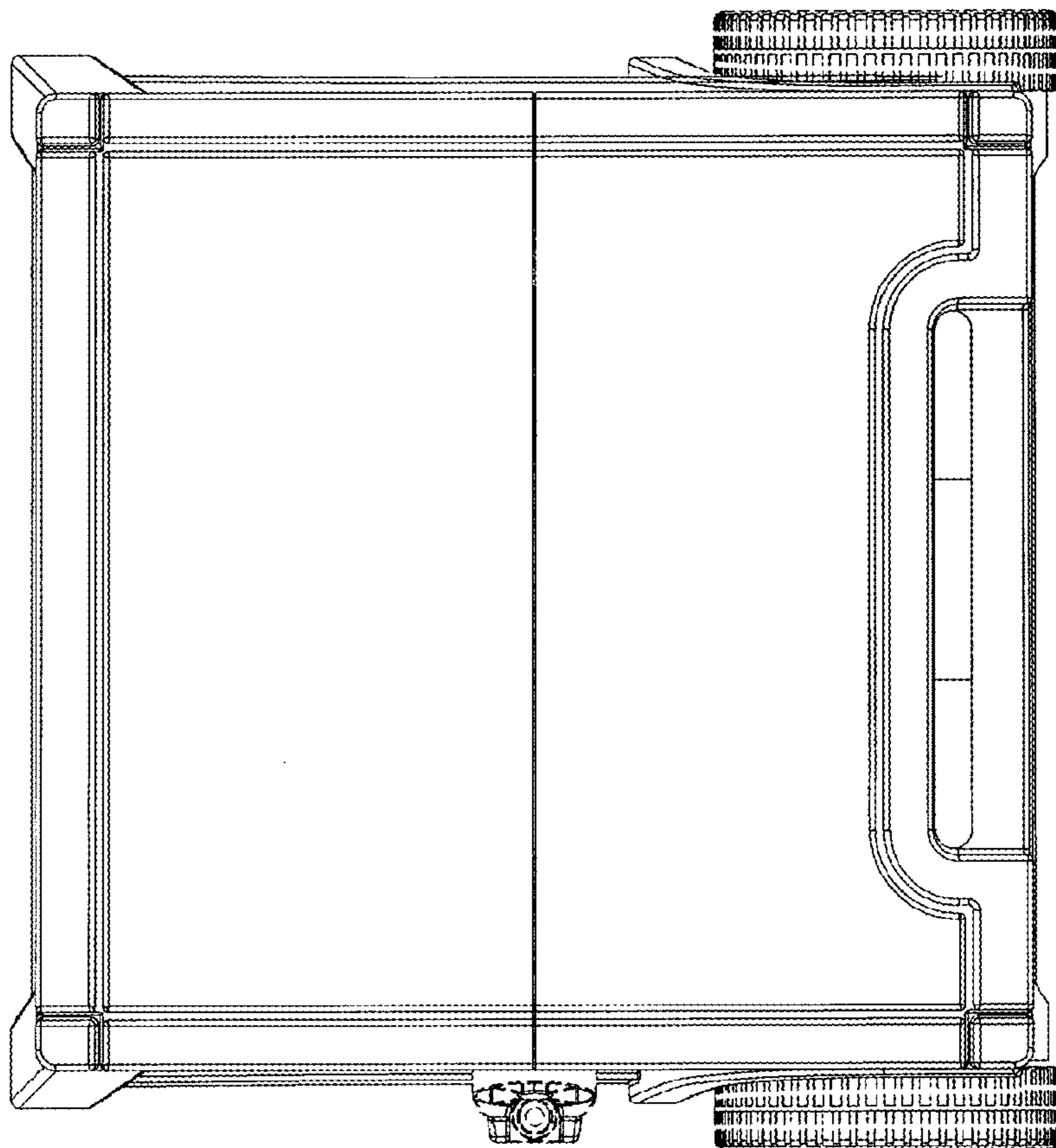


Fig. 6

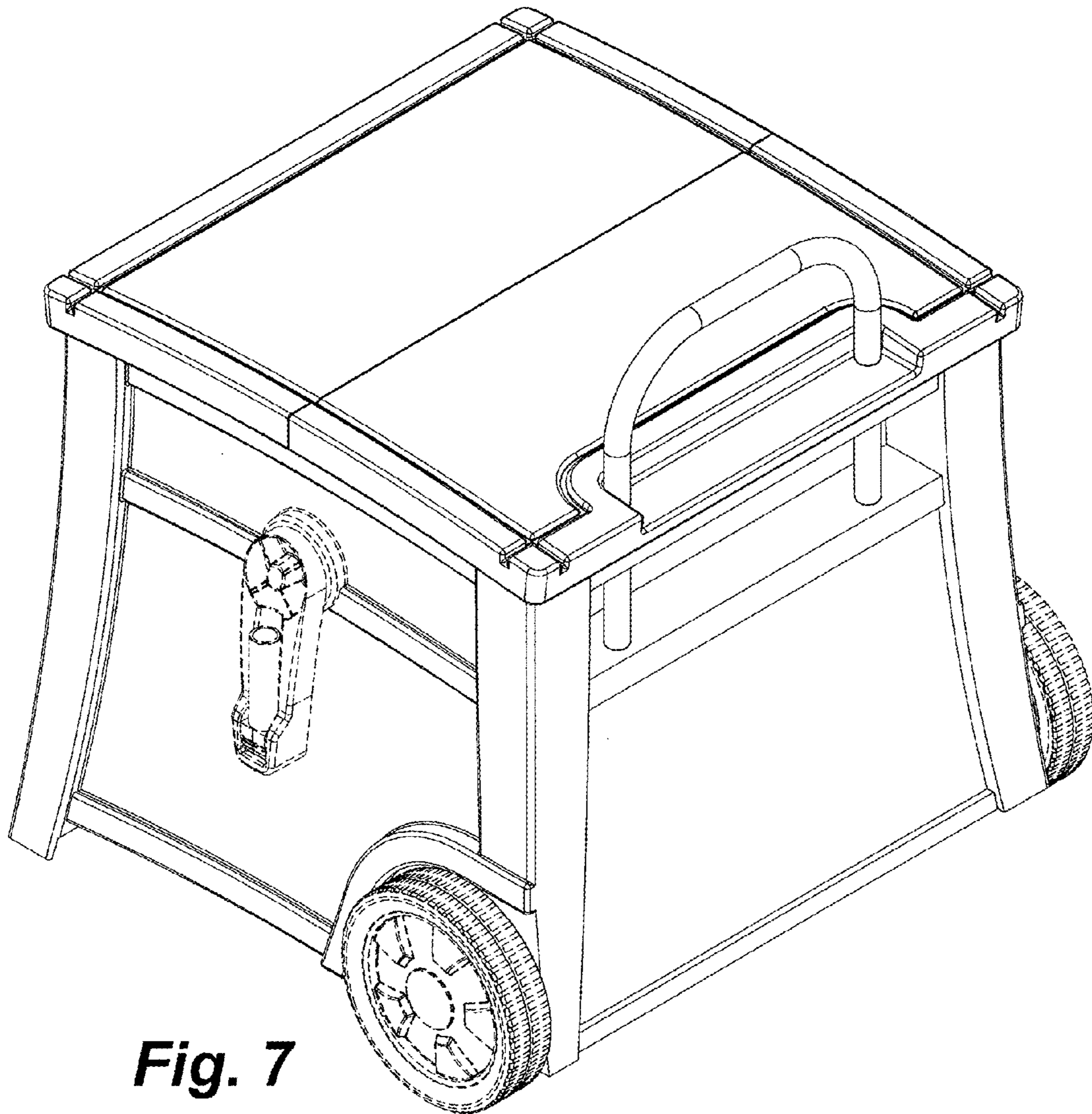


Fig. 7