



US00D748882S

(12) **United States Design Patent**
Abel et al.

(10) **Patent No.:** **US D748,882 S**
(45) **Date of Patent:** **** Feb. 2, 2016**

(54) **COMBINED ADAPTABLE STORAGE AND TRANSPORT CART WITH SUSPENDED SHELVING**

(71) Applicants: **Gary V. Abel**, Ellicott City, MD (US);
Robert M. Giberson, Midlothian, VA (US)

(72) Inventors: **Gary V. Abel**, Ellicott City, MD (US);
Robert M. Giberson, Midlothian, VA (US)

(**) Term: **14 Years**

(21) Appl. No.: **29/514,574**

(22) Filed: **Jan. 14, 2015**

(51) **LOC (10) Cl.** **12-02**

(52) **U.S. Cl.**
USPC **D34/17**

(58) **Field of Classification Search**
USPC D34/12-27; 280/651, 47.34, 47.24,
280/47.26, 47.17, 654, 79.3, 653, 659,
280/33.996, 79.11, 79.2, 47.35, 33.997
CPC B62B 1/12; B62B 2203/70; B62B 3/02;
B62B 5/0438

See application file for complete search history.

(56) **References Cited**

U.S. PATENT DOCUMENTS

3,589,746 A * 6/1971 Inglis A47B 57/12
108/181
3,977,689 A * 8/1976 Rosa B62B 3/186
211/150
5,190,305 A * 3/1993 Putman B62B 3/10
211/182

D363,588 S * 10/1995 Bancroft D34/12
5,556,118 A * 9/1996 Kern B62B 3/00
280/47.16
D409,811 S * 5/1999 Hutchinson D34/17
6,394,470 B1 * 5/2002 Shirai B62B 3/184
280/33.996
D484,295 S * 12/2003 Arceta D34/17
D573,773 S * 7/2008 Wilson D34/17
2003/0184035 A1 * 10/2003 Yu B62B 3/00
280/47.35
2003/0218308 A1 * 11/2003 Lamson B62B 3/002
280/79.3
2004/0056439 A1 * 3/2004 Arceta A47F 5/137
280/47.34
2007/0039129 A1 * 2/2007 Dahl B60B 3/001
16/38

* cited by examiner

Primary Examiner — Cynthia Ramirez

Assistant Examiner — Gino Colan

(74) *Attorney, Agent, or Firm* — Ober, Kaler, Grimes & Shriver; Royal W. Craig

(57) **CLAIM**

The ornamental design for a combined adaptable storage and transport cart with suspended shelving, as shown and described.

DESCRIPTION

FIG. 1 is a perspective view of a combined adaptable storage and transport cart with suspended shelving showing our new design.

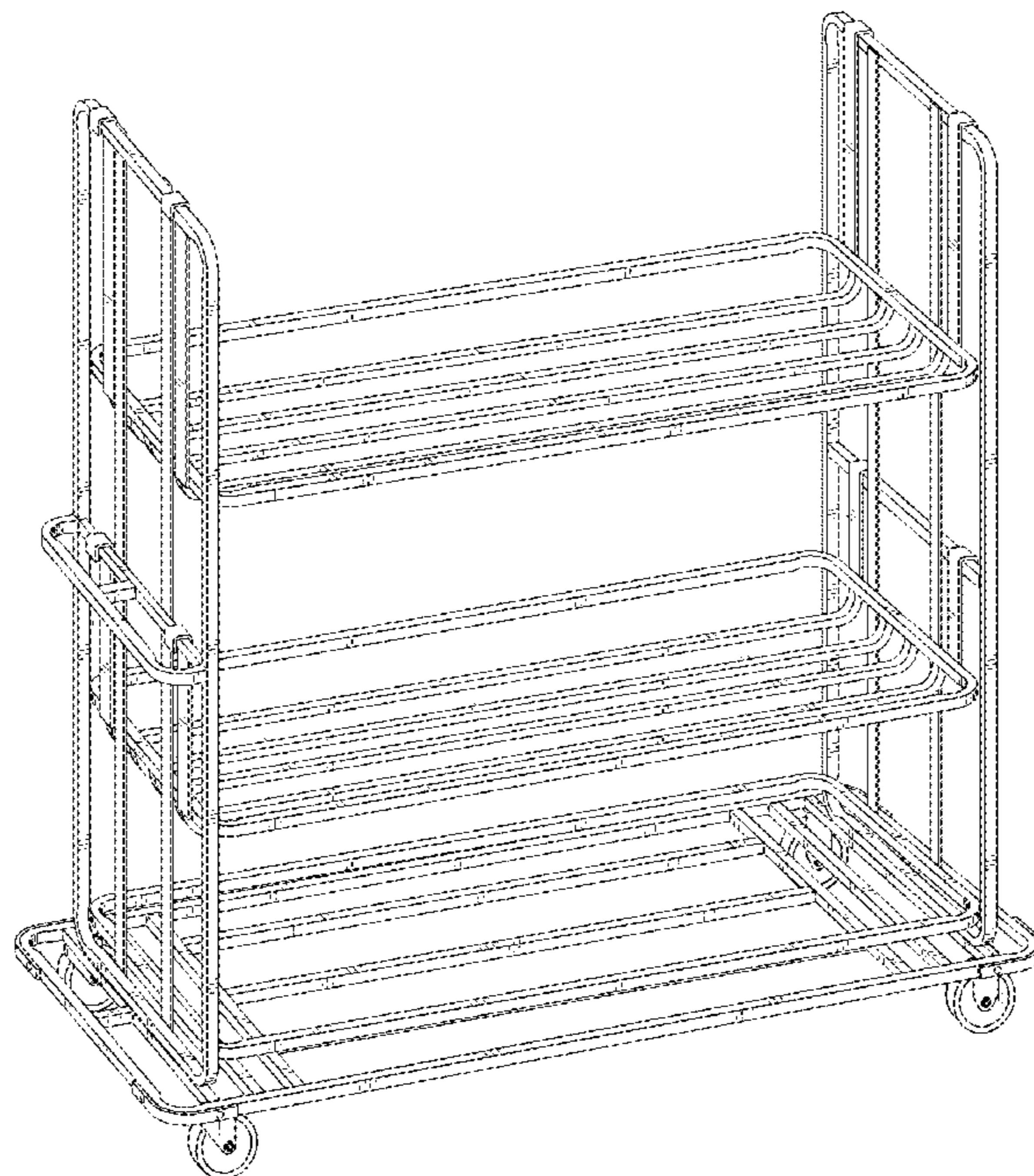
FIG. 2 is a right elevational view of FIG. 1.

FIG. 3 is a front elevational view of FIG. 1.

FIG. 4 is a bottom plan view of FIG. 1; and,

FIG. 5 is a top plan view of FIG. 1.

1 Claim, 4 Drawing Sheets



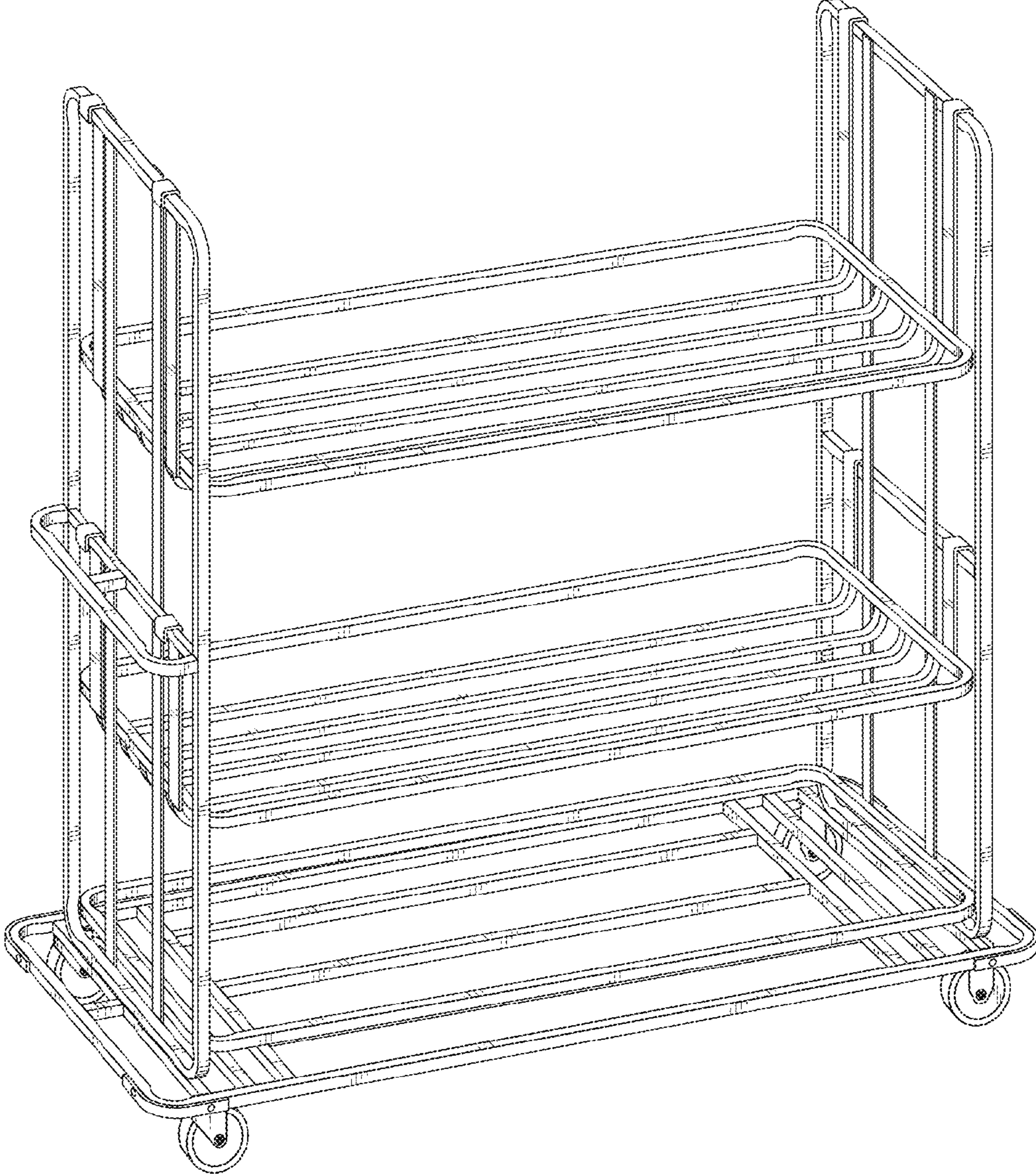


Fig. 1

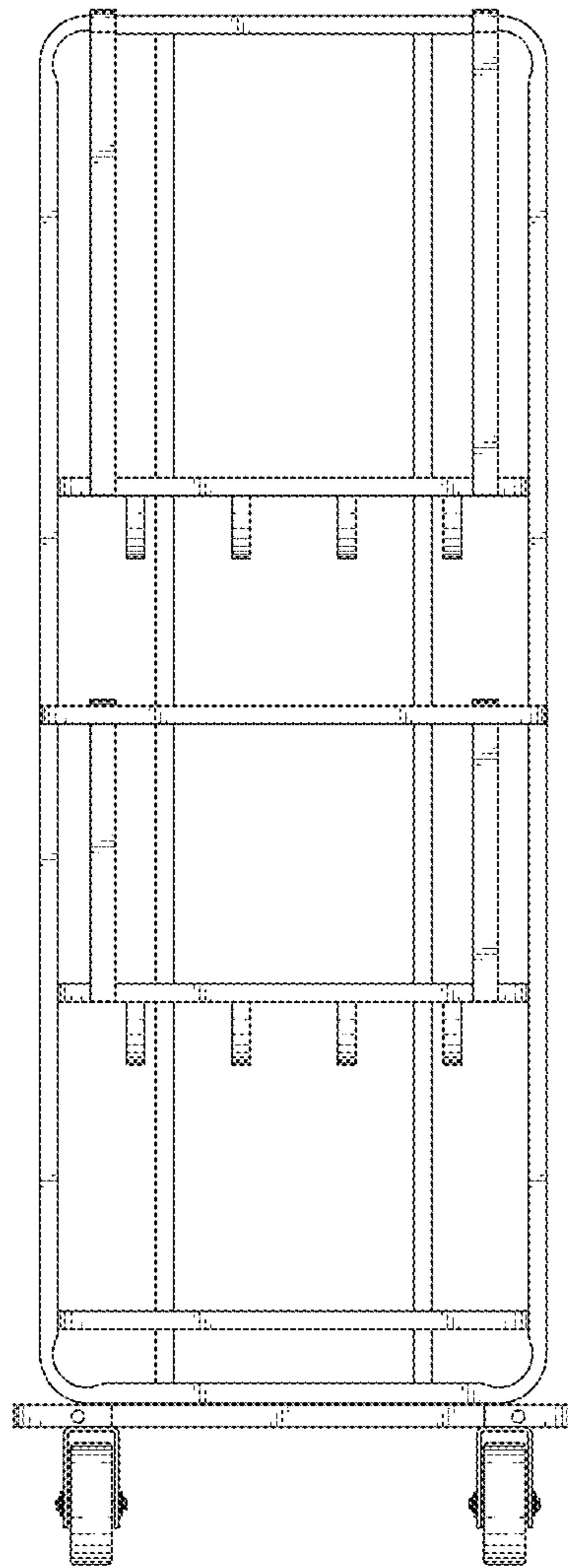


Fig. 2

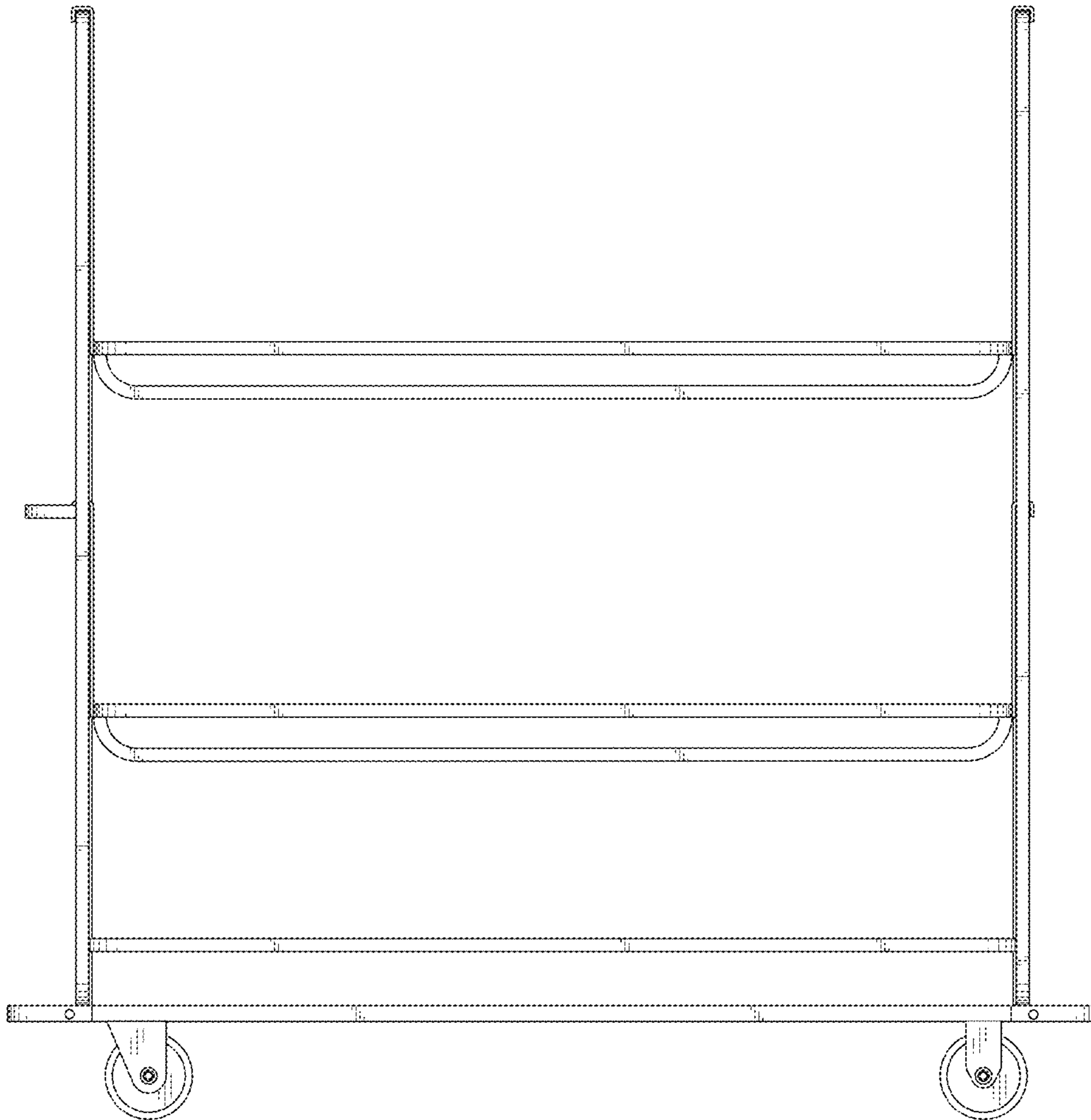


Fig. 3

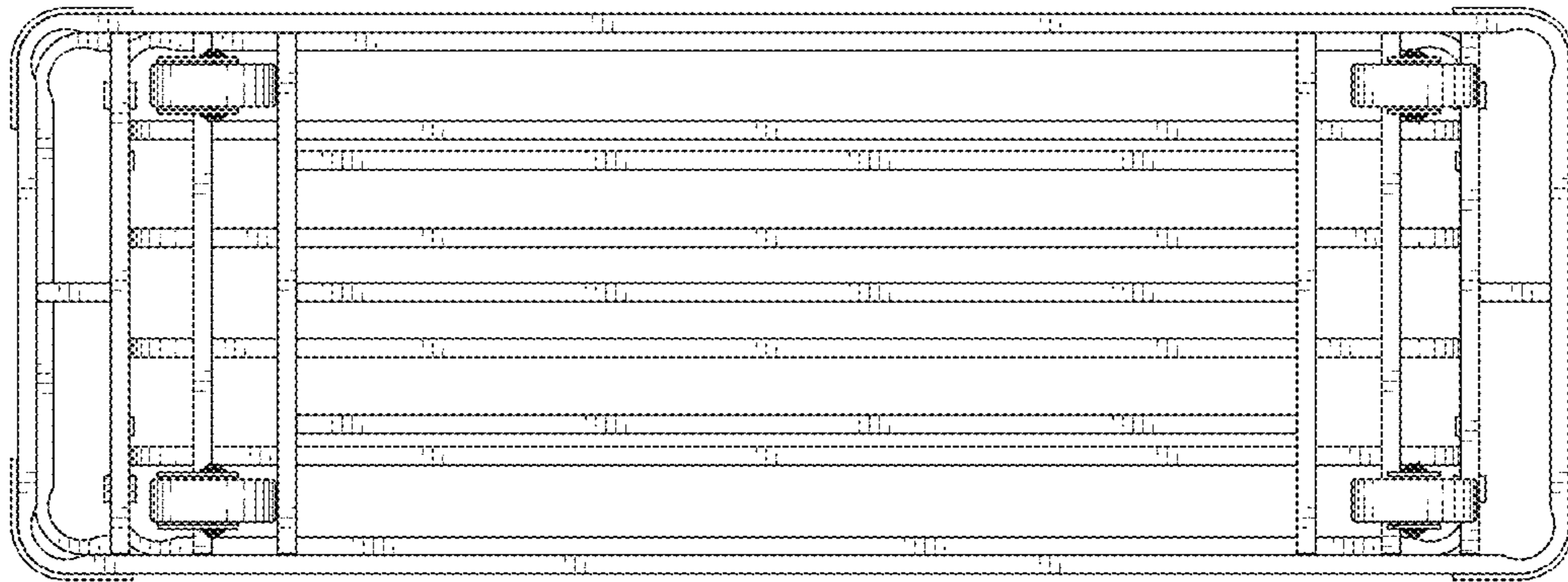


Fig. 4

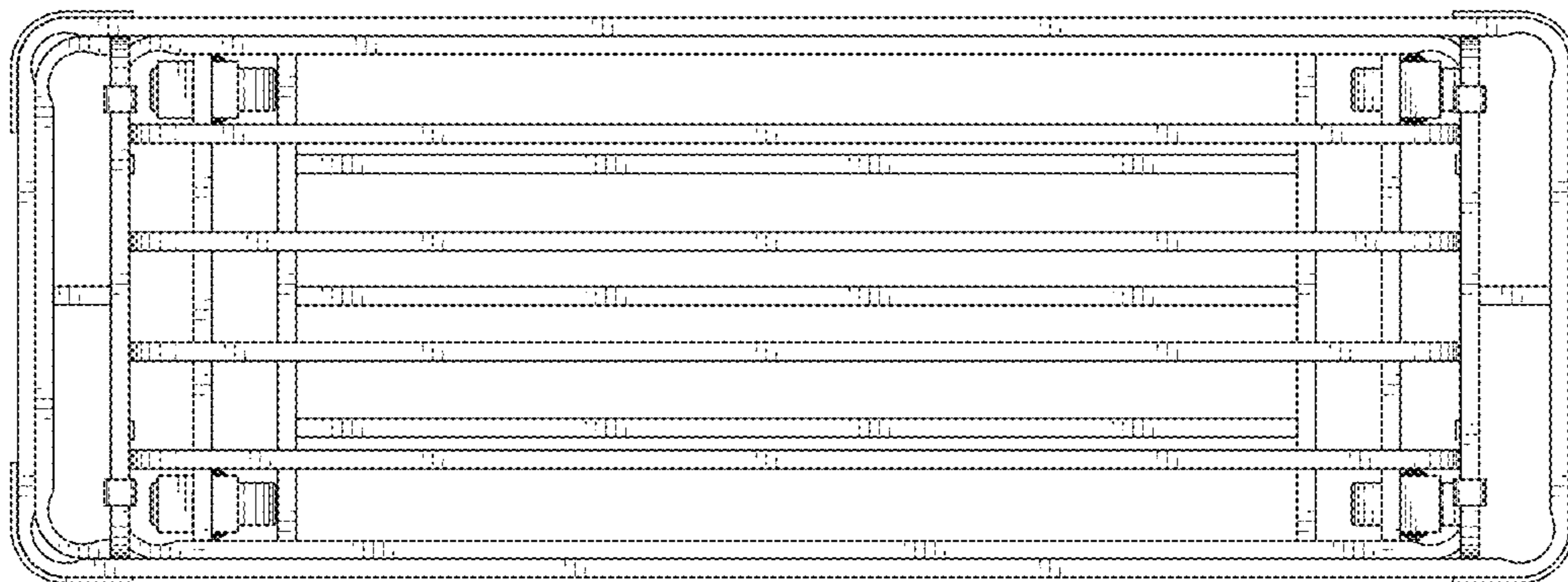


Fig. 5