



US00D748878S

(12) **United States Design Patent**
Dooley et al.

(10) **Patent No.:** **US D748,878 S**
(45) **Date of Patent:** **** Feb. 2, 2016**

- (54) **ROBOT**
- (71) Applicant: **iRobot Corporation**, Bedford, MA (US)
- (72) Inventors: **Michael J. Dooley**, Pasadena, CA (US);
Nikolai Romanov, Oak Park, CA (US)
- (73) Assignee: **iRobot Corporation**, Bedford, MA (US)
- (**) Term: **14 Years**
- (21) Appl. No.: **29/503,411**
- (22) Filed: **Sep. 25, 2014**
- (51) **LOC (10) Cl.** **15-05**
- (52) **U.S. Cl.**
USPC **D32/21**
- (58) **Field of Classification Search**
USPC D32/19–21, 25, 31–33; D4/102, 127,
D4/128, 133, 136
CPC A47J 37/0713; A47L 9/2842; A47L
2201/00; A47L 5/30; A47L 5/28; A47L
5/362; A47L 9/04; A46B 13/005; A46B
13/001; A61C 17/26; G06N 3/008; B25J
9/1697; G01S 13/931; B62D 58/032; B62D
57/032; E01H 1/053; E01H 1/02
See application file for complete search history.

- (56) **References Cited**
U.S. PATENT DOCUMENTS

D184,968 S *	4/1959	Sundberg	D32/21
D186,501 S *	11/1959	Sundberg	D32/21
D195,719 S *	7/1963	Musichuk	D32/21
D196,831 S *	11/1963	Musichuk	D32/21
4,516,361 A	5/1985	Gringer	
5,512,010 A	4/1996	Labad	
5,621,291 A	4/1997	Lee	
5,701,630 A	12/1997	Liao	
5,804,942 A	9/1998	Jeong	

- 5,902,176 A 5/1999 Chen
- 6,098,239 A 8/2000 Vosbikian
- 6,202,250 B1 3/2001 Kenmochi et al.
- 6,296,558 B1 10/2001 Poole et al.
- 6,305,046 B1 10/2001 Kingry et al.
- 6,327,741 B1 12/2001 Reed
- 6,641,469 B2 11/2003 Deshler
- 6,685,547 B2 2/2004 Boman
- 6,779,217 B2 8/2004 Fisher
- 6,810,305 B2 10/2004 Kirkpatrick
- 7,013,528 B2 3/2006 Parker et al.
- 7,337,494 B2 3/2008 Baer et al.
- 7,346,428 B1 3/2008 Huffman et al.
- 7,416,477 B2 8/2008 Henke et al.
- 7,451,516 B2 11/2008 Tanaka
- 7,488,242 B2 2/2009 Gringer et al.
- 7,506,397 B2 3/2009 Tanaka
- 7,568,255 B1 8/2009 Krebs
- 7,607,192 B2 10/2009 Flora et al.

(Continued)

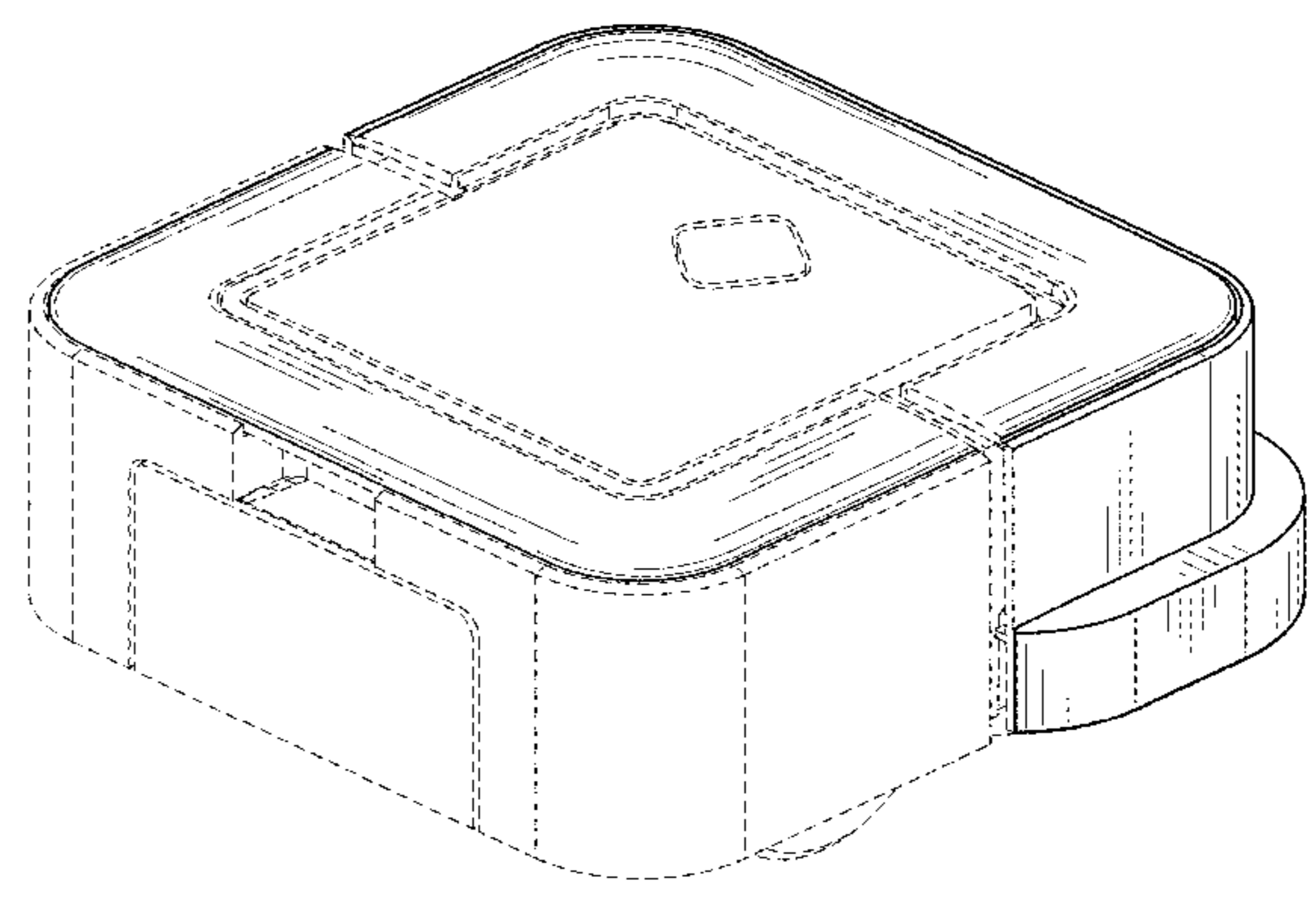
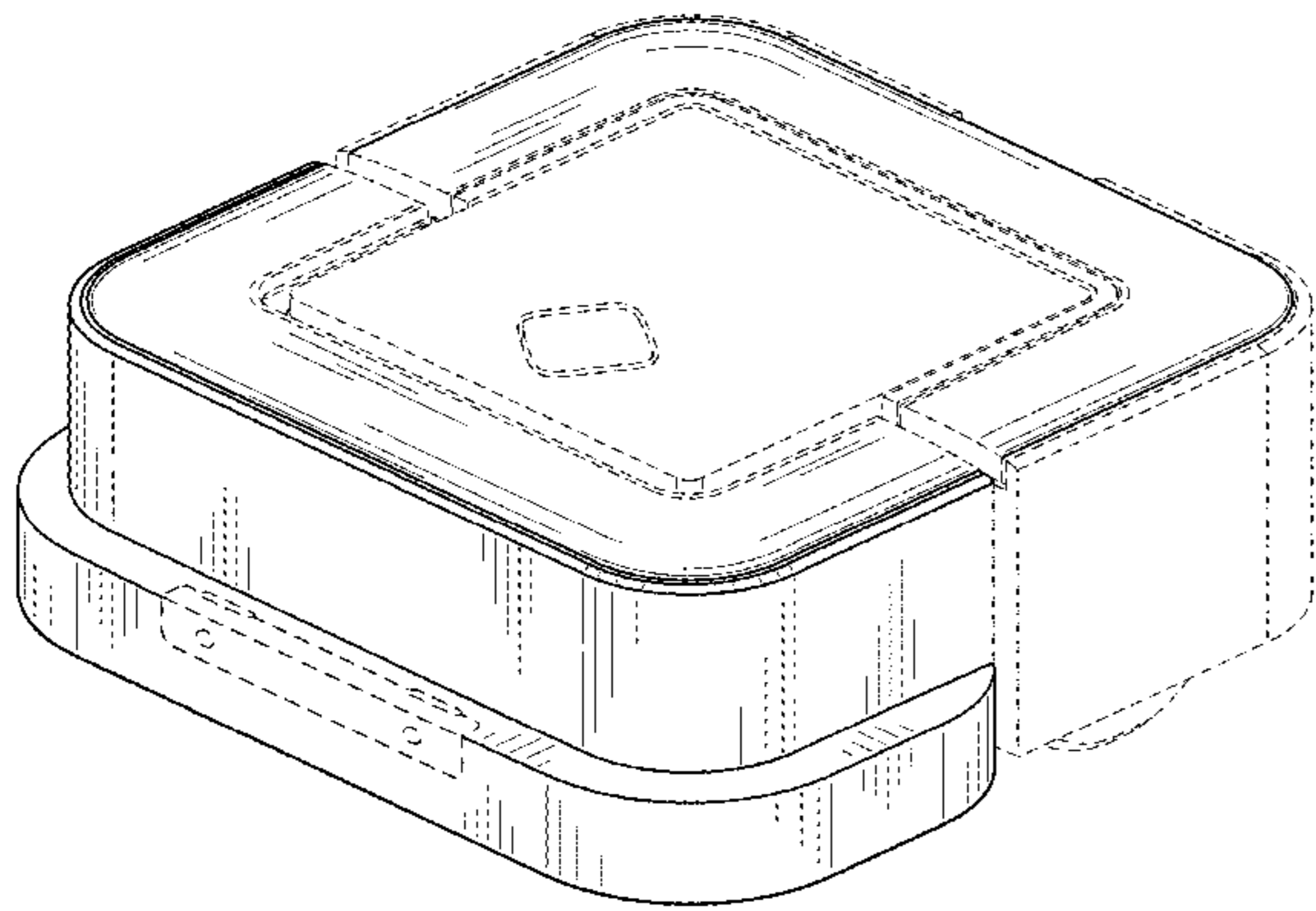
Primary Examiner — Ruth McInroy
(74) *Attorney, Agent, or Firm* — Fish & Richardson P.C.

(57) **CLAIM**
We claim the ornamental design for a robot, as shown and described.

DESCRIPTION

FIG. 1 is a front perspective view of our robot.
FIG. 2 is a rear perspective view of our robot.
FIG. 3 is a front view of the robot of FIG. 1.
FIG. 4 is a back view of the robot of FIG. 1.
FIG. 5 is a left side view of the robot of FIG. 1.
FIG. 6 is a right side view of the robot of FIG. 1.
FIG. 7 is a top view of the robot of FIG. 1; and,
FIG. 8 is a bottom view of the robot of FIG. 1.
The broken lines indicate the bounds of the claimed design and form no part thereof.

1 Claim, 4 Drawing Sheets



(56)

References Cited

U.S. PATENT DOCUMENTS

7,670,210 B2	3/2010	Annis		2002/0175648 A1	11/2002	Erko et al.
7,784,139 B2	8/2010	Sawalski et al.		2003/0229421 A1	12/2003	Chmura et al.
D625,059 S *	10/2010	Morenstein et al.	D32/21	2004/0045126 A1	3/2004	Parker et al.
D625,060 S *	10/2010	Morenstein et al.	D32/21	2004/0143930 A1	7/2004	Haegermarck
D625,477 S *	10/2010	Morenstein et al.	D32/21	2005/0278888 A1	12/2005	Reindle et al.
7,832,048 B2	11/2010	Harwig et al.		2006/0085095 A1	4/2006	Reindle et al.
7,895,700 B2	3/2011	Tanaka		2006/0293809 A1	12/2006	Harwig et al.
8,469,775 B2	6/2013	Dow et al.		2007/0214586 A1	9/2007	Mattucci et al.
D709,255 S *	7/2014	Wang et al.	D32/21	2008/0276407 A1	11/2008	Schnittman et al.
D720,510 S *	12/2014	Shin et al.	D32/21	2009/0133720 A1	5/2009	Van Den Bogert
D720,511 S *	12/2014	Shin et al.	D32/21	2009/0281661 A1	11/2009	Dooley et al.
2002/0002751 A1	1/2002	Fisher		2010/0009609 A1	1/2010	Dow et al.
2002/0011813 A1	1/2002	Koselka et al.		2011/0162157 A1	7/2011	Dooley et al.
2002/0152569 A1	10/2002	Zorzo		2013/0291319 A1*	11/2013	Ko 15/3
				2014/0209122 A1*	7/2014	Jung et al. 134/18
				2014/0366292 A1*	12/2014	Jung et al. 15/98
				2014/0373302 A1*	12/2014	Hsu 15/300.1

* cited by examiner

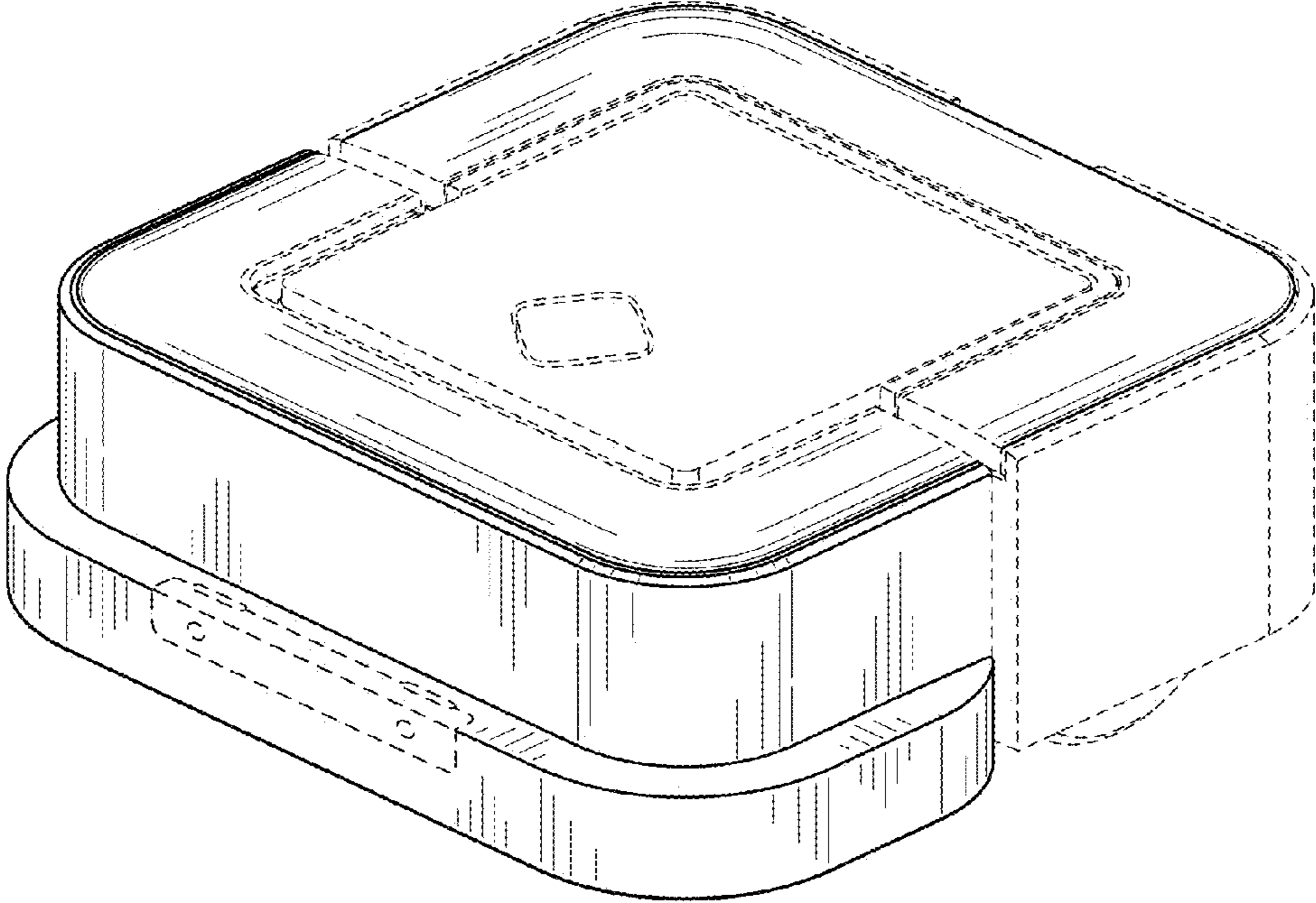


FIG. 1

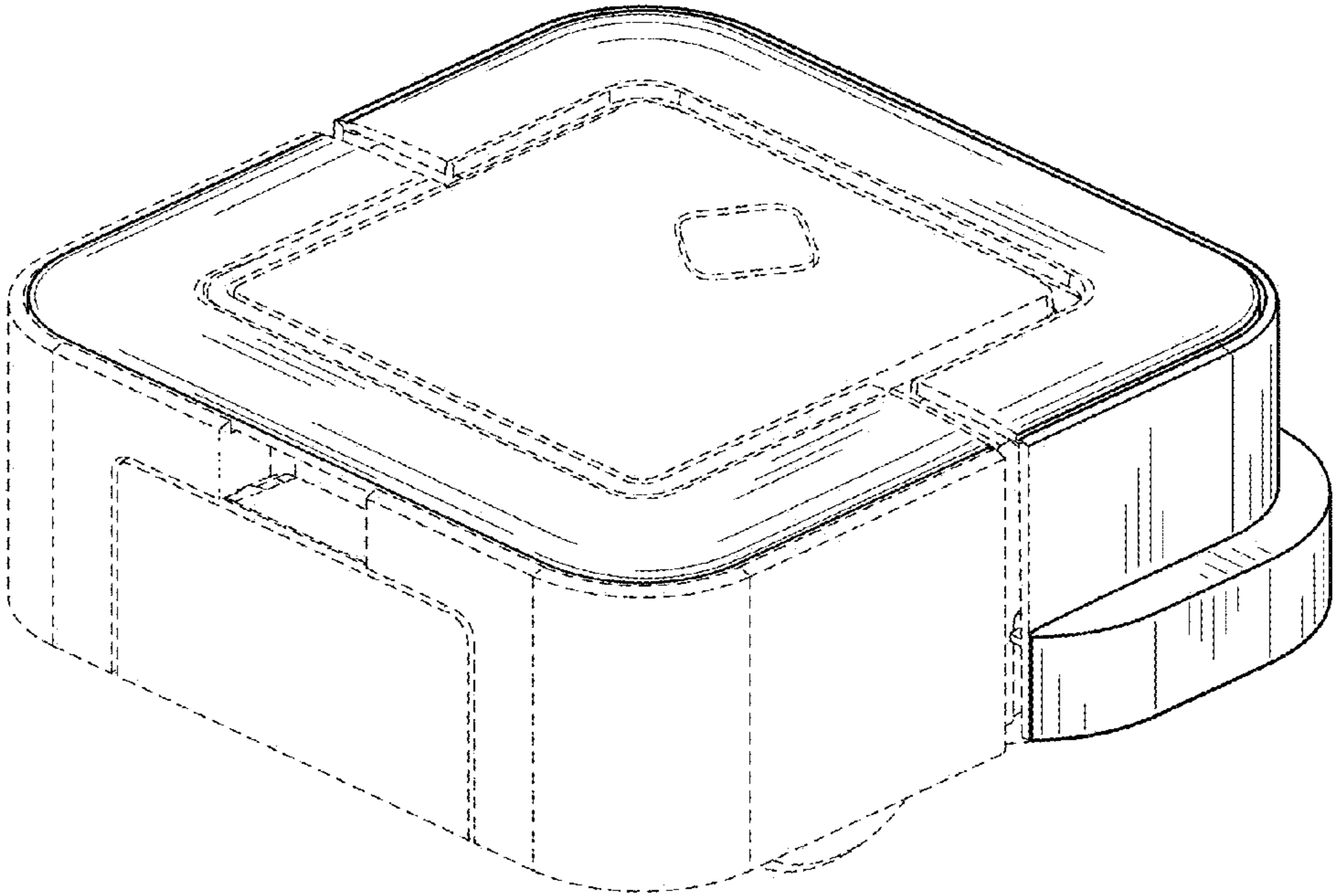


FIG. 2

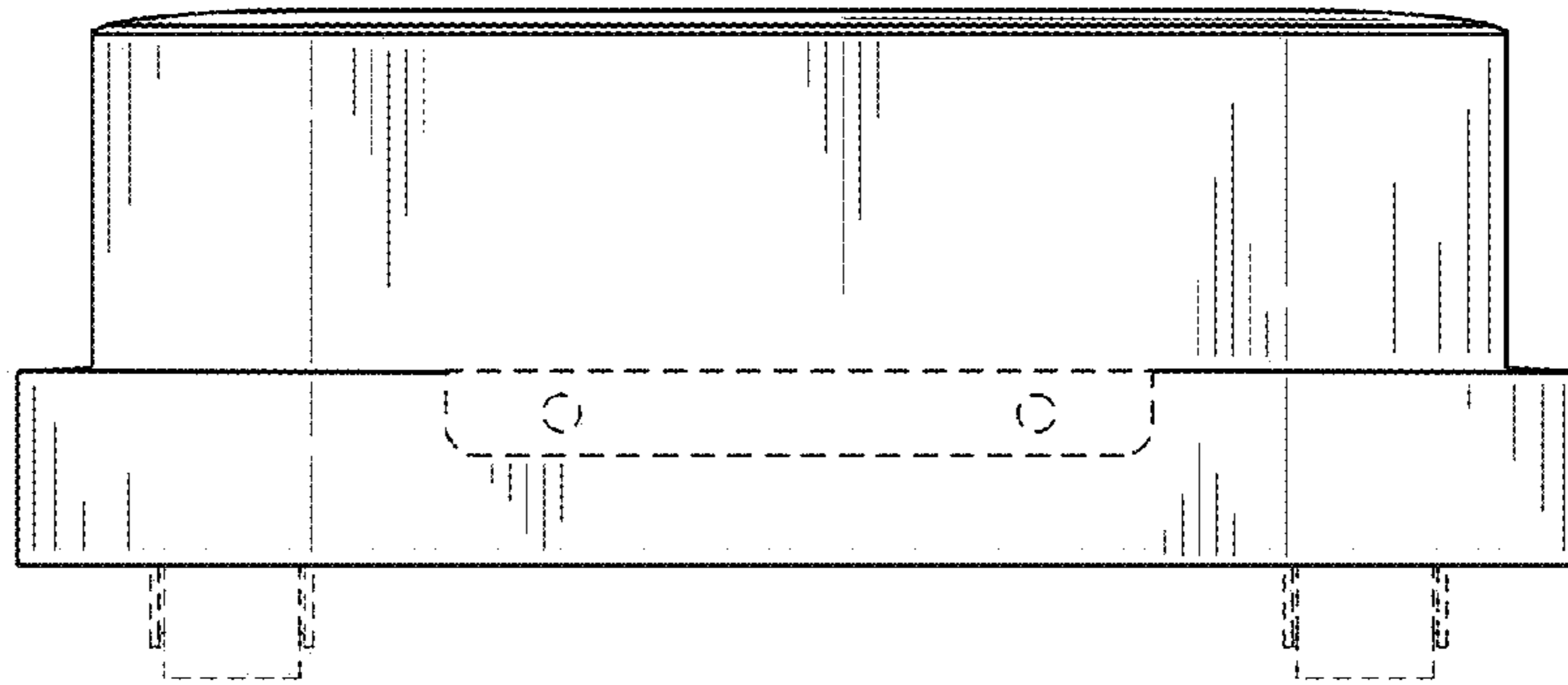


FIG. 3

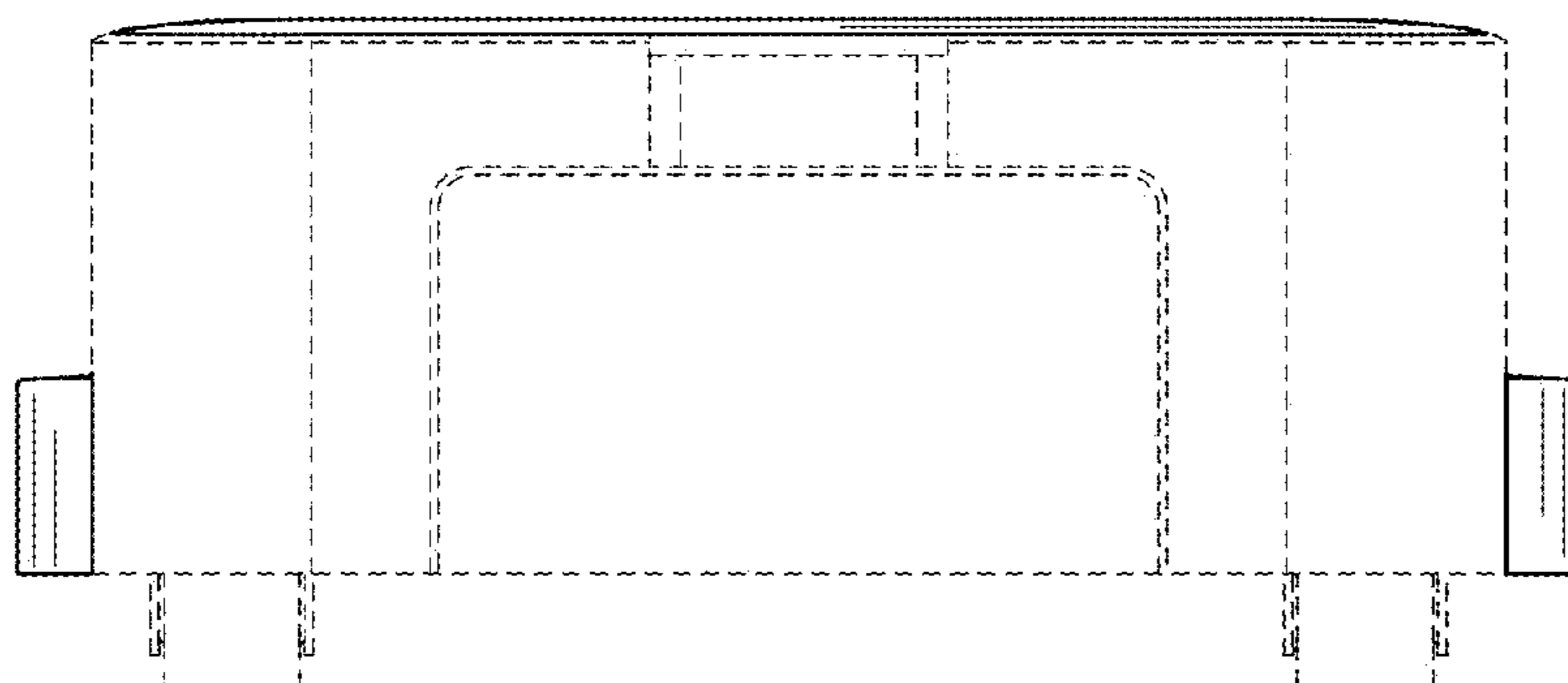


FIG. 4

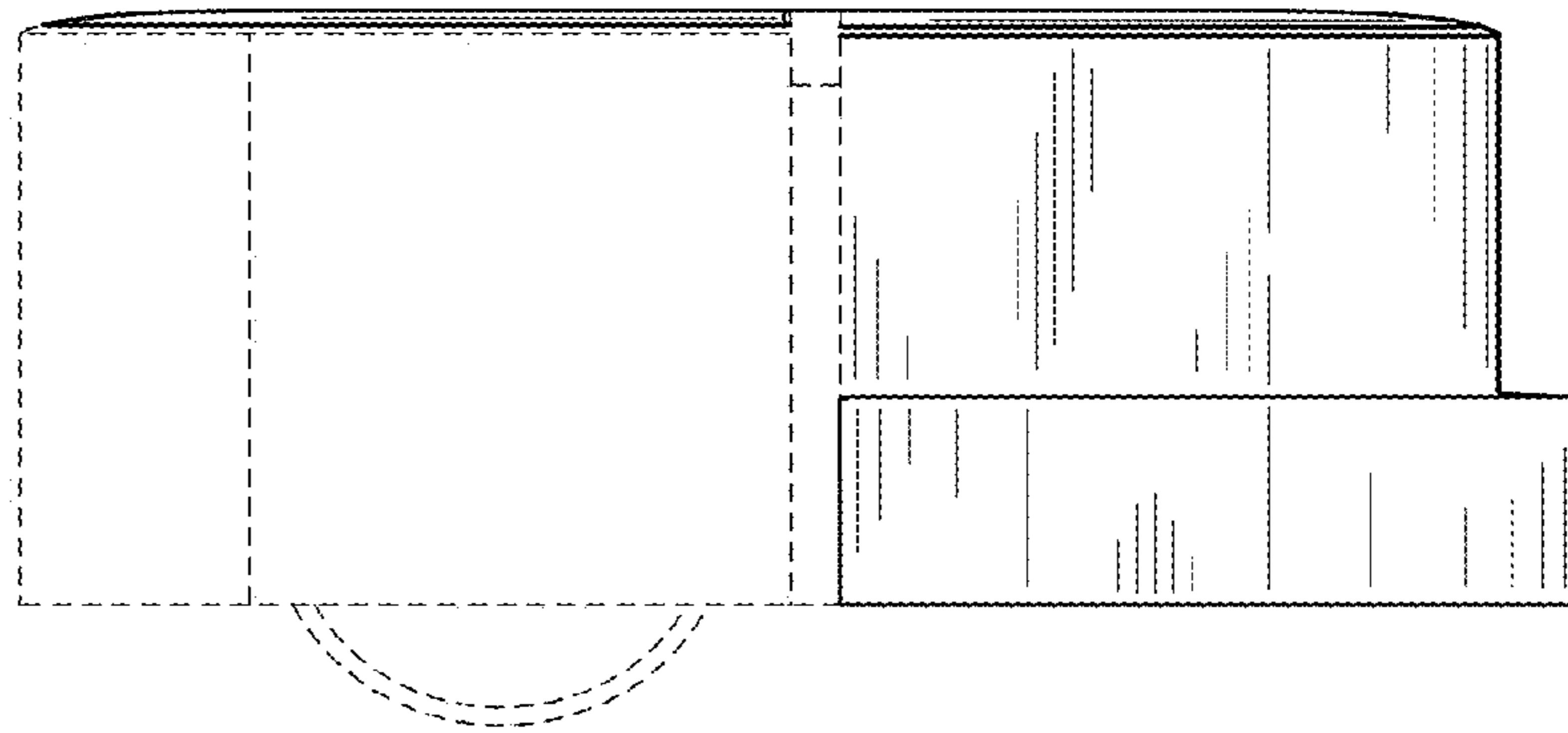


FIG. 5

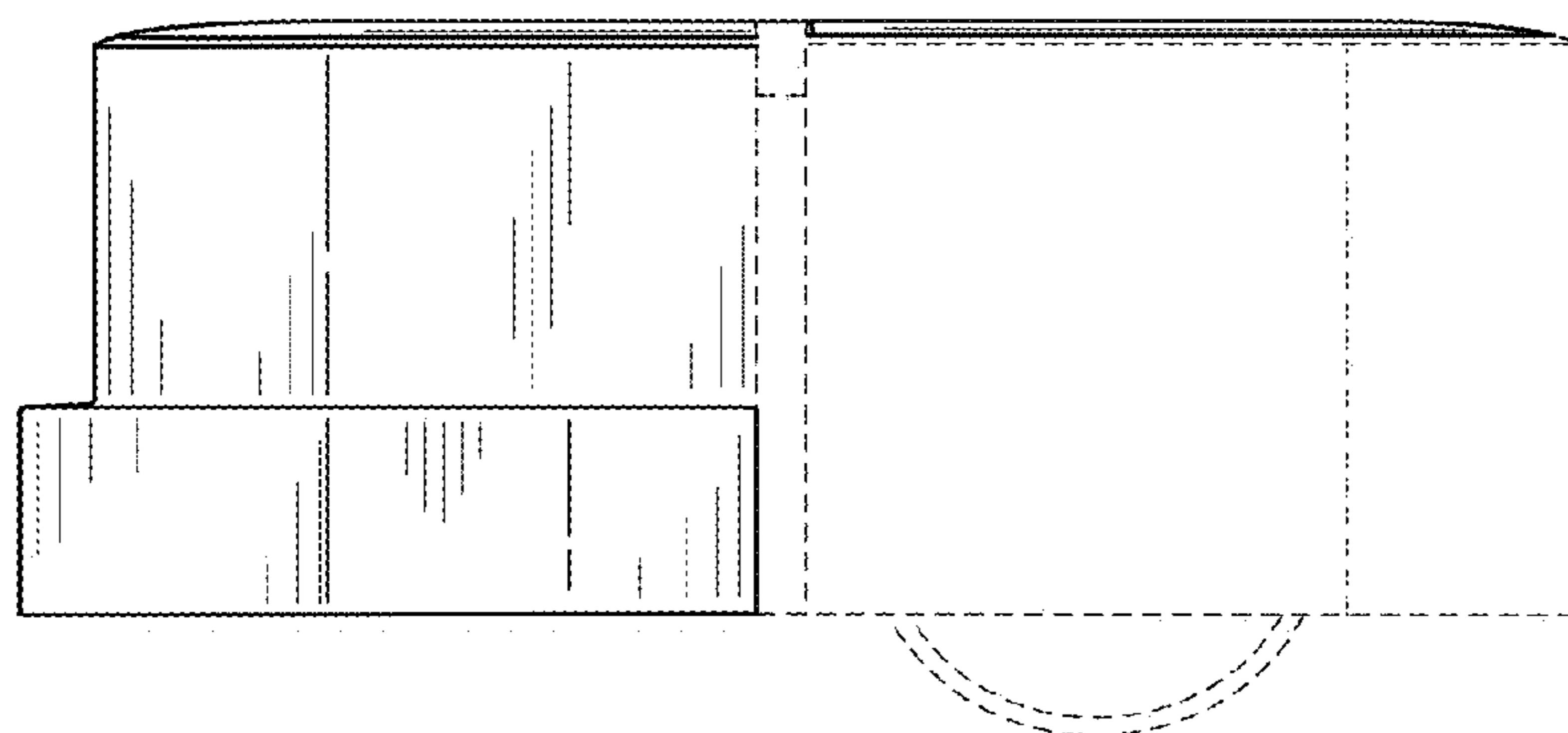


FIG. 6

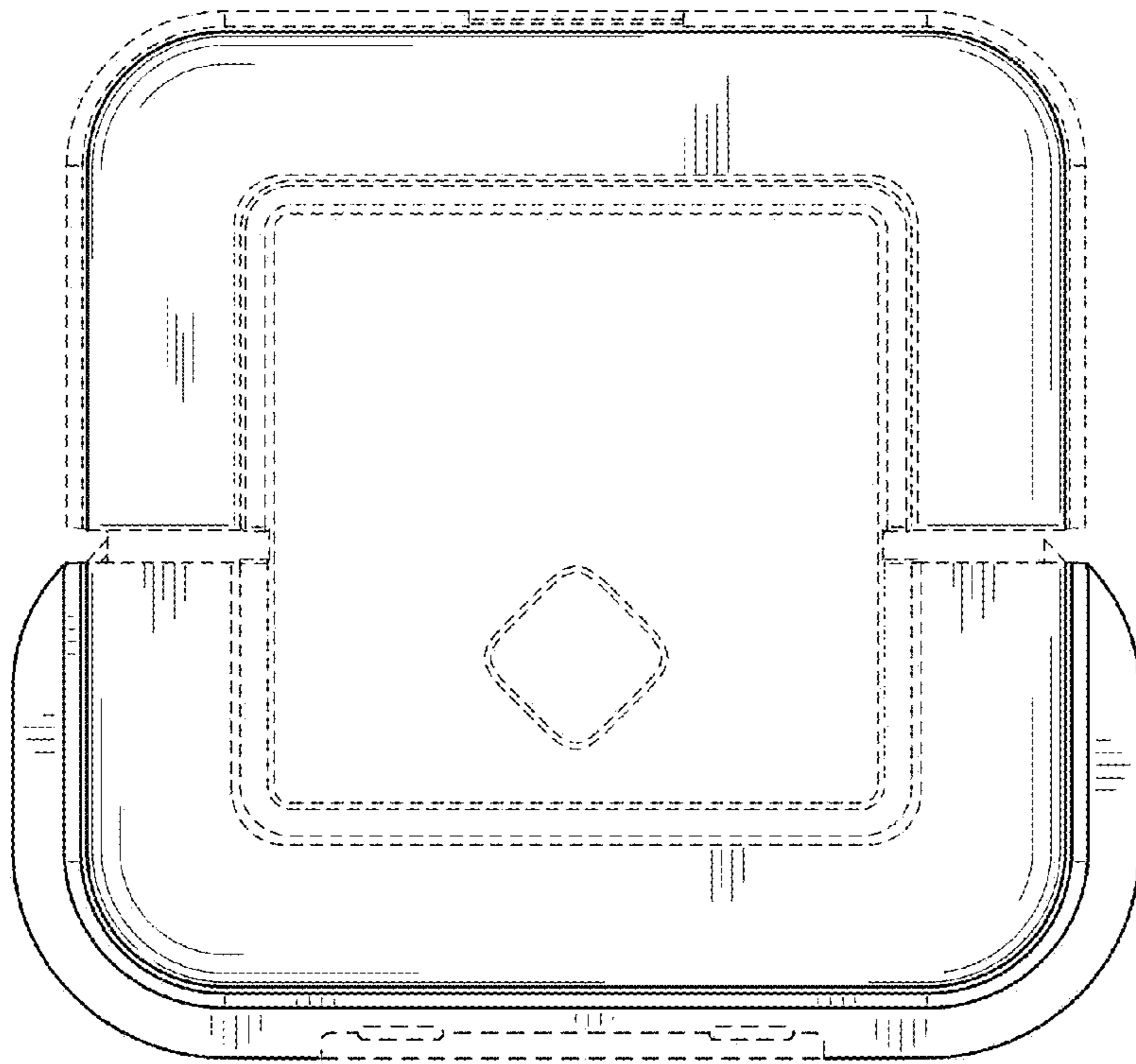


FIG. 7

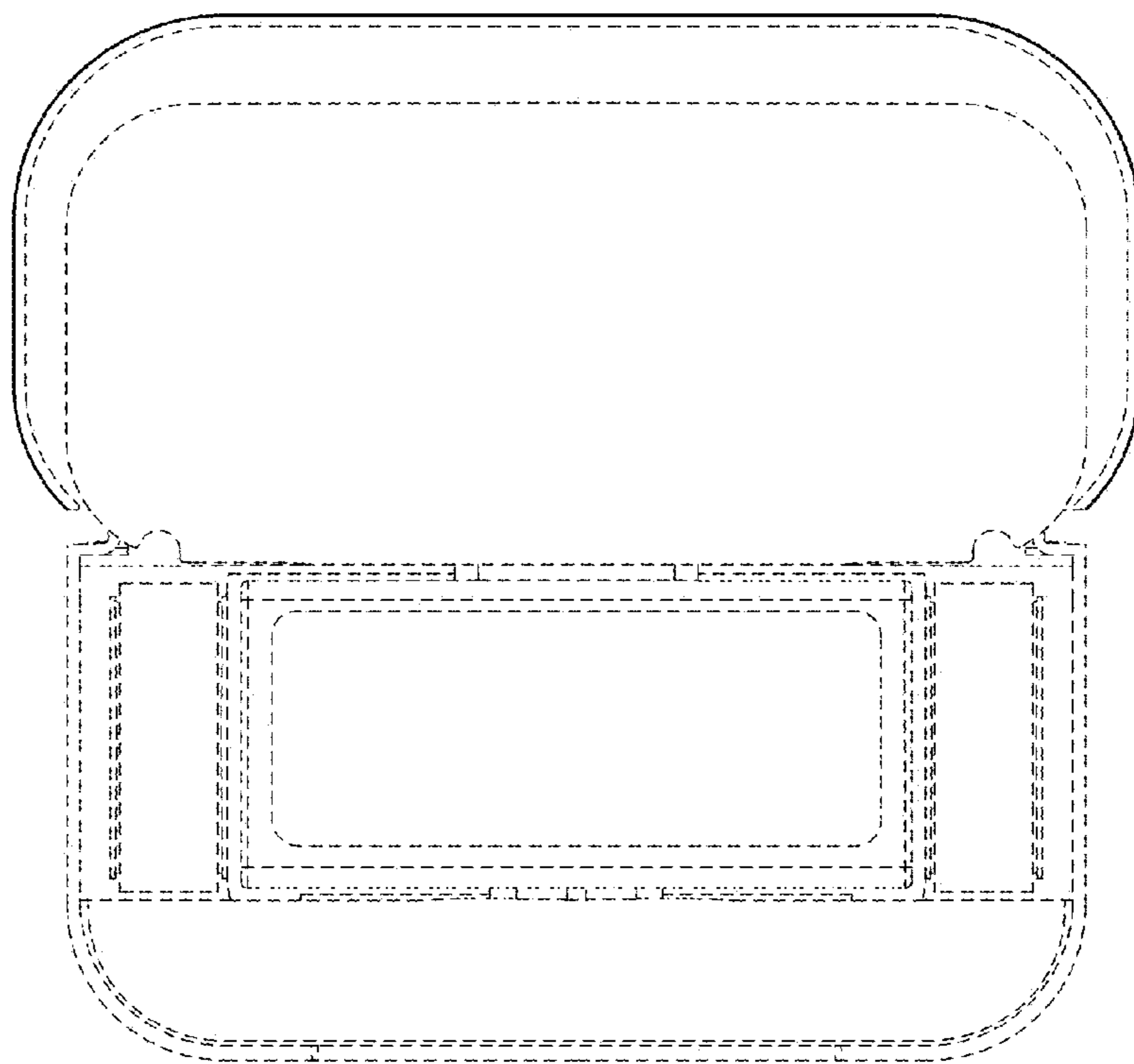


FIG. 8