



US00D748877S

(12) **United States Design Patent**  
**Tirone et al.**

(10) **Patent No.:** **US D748,877 S**  
(45) **Date of Patent:** **\*\* Feb. 2, 2016**

(54) **BLOWER**

(71) Applicant: **BLACK & DECKER INC.**, Newark,  
DE (US)  
(72) Inventors: **James C. Tirone**, Baltimore, MD (US);  
**Joseph B. Cooper**, Baltimore, MD (US)  
(73) Assignee: **BLACK & DECKER INC.**, New  
Britain, CT (US)

(\*\*) Term: **14 Years**

(21) Appl. No.: **29/511,853**

(22) Filed: **Dec. 15, 2014**

(51) **LOC (10) Cl.** ..... **15-05**

(52) **U.S. Cl.**  
USPC ..... **D32/15; D15/12**

(58) **Field of Classification Search**  
USPC ..... D15/11, 12, 5, 17; D32/1, 15-19, 21,  
D32/25; D23/213, 383; 15/328, 329, 330,  
15/344, 345, 404, 405, 414, 339, 415.1,  
15/413, 326; 417/236, 423.1, 423.3  
CPC ..... A47L 5/14; A47L 9/32; A01G 1/125;  
F04B 17/00; F04B 35/04  
See application file for complete search history.

(56) **References Cited**

**U.S. PATENT DOCUMENTS**

D258,908 S \* 4/1981 Satoh ..... D23/383  
D322,971 S \* 1/1992 Tuggle et al. .... D15/13  
D359,603 S \* 6/1995 Rakocy et al. .... D32/15  
D363,149 S \* 10/1995 Franke et al. .... D32/15  
D400,322 S \* 10/1998 Webster et al. .... D32/15

D408,950 S \* 4/1999 Basham ..... D32/15  
D431,697 S \* 10/2000 Hayakawa et al. .... D32/15  
D461,604 S \* 8/2002 Martin et al. .... D32/15  
D469,931 S \* 2/2003 Nawrozki et al. .... D32/15  
6,552,891 B1 \* 4/2003 Prach ..... 361/212  
D480,844 S \* 10/2003 Noma et al. .... D32/15  
D497,692 S \* 10/2004 Nawrozki et al. .... D32/15  
D498,885 S \* 11/2004 Robson ..... D32/15  
D526,750 S \* 8/2006 Ito ..... D32/15  
D538,984 S \* 3/2007 King ..... D32/15  
D558,939 S \* 1/2008 Yuasa ..... D32/15  
D569,055 S \* 5/2008 Bochmann et al. .... D32/15  
D577,113 S \* 9/2008 Tinius ..... D23/383  
D584,461 S \* 1/2009 Sweeney ..... D32/15  
D591,916 S \* 5/2009 Kosugi et al. .... D32/15  
D594,961 S \* 6/2009 Tinius ..... D23/383  
D605,819 S \* 12/2009 Tinius ..... D32/15  
D615,716 S \* 5/2010 Tinius ..... D32/15  
D638,035 S \* 5/2011 Kosugi et al. .... D15/5

\* cited by examiner

*Primary Examiner* — Mark Goodwin

(74) *Attorney, Agent, or Firm* — John Yun

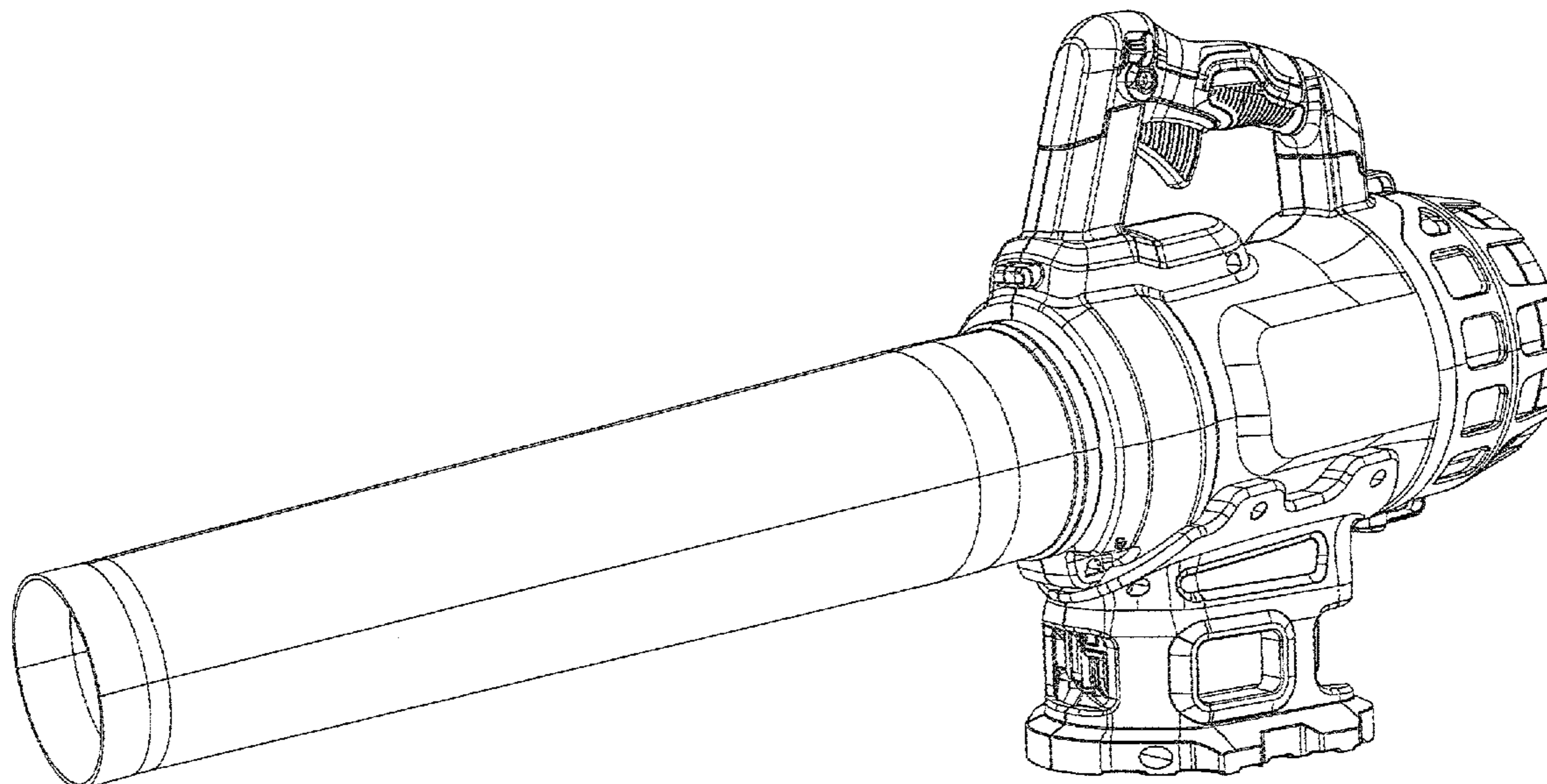
(57) **CLAIM**

The ornamental design for a blower, as shown and described.

**DESCRIPTION**

FIG. 1 is a front perspective view of a blower;  
FIG. 2 is a rear perspective view thereof;  
FIG. 3 is a right side view thereof  
FIG. 4 is a left side view thereof;  
FIG. 5 is a front view thereof;  
FIG. 6 is a rear view thereof;  
FIG. 7 is a top plan view thereof; and,  
FIG. 8 is a bottom plan view thereof.

**1 Claim, 8 Drawing Sheets**



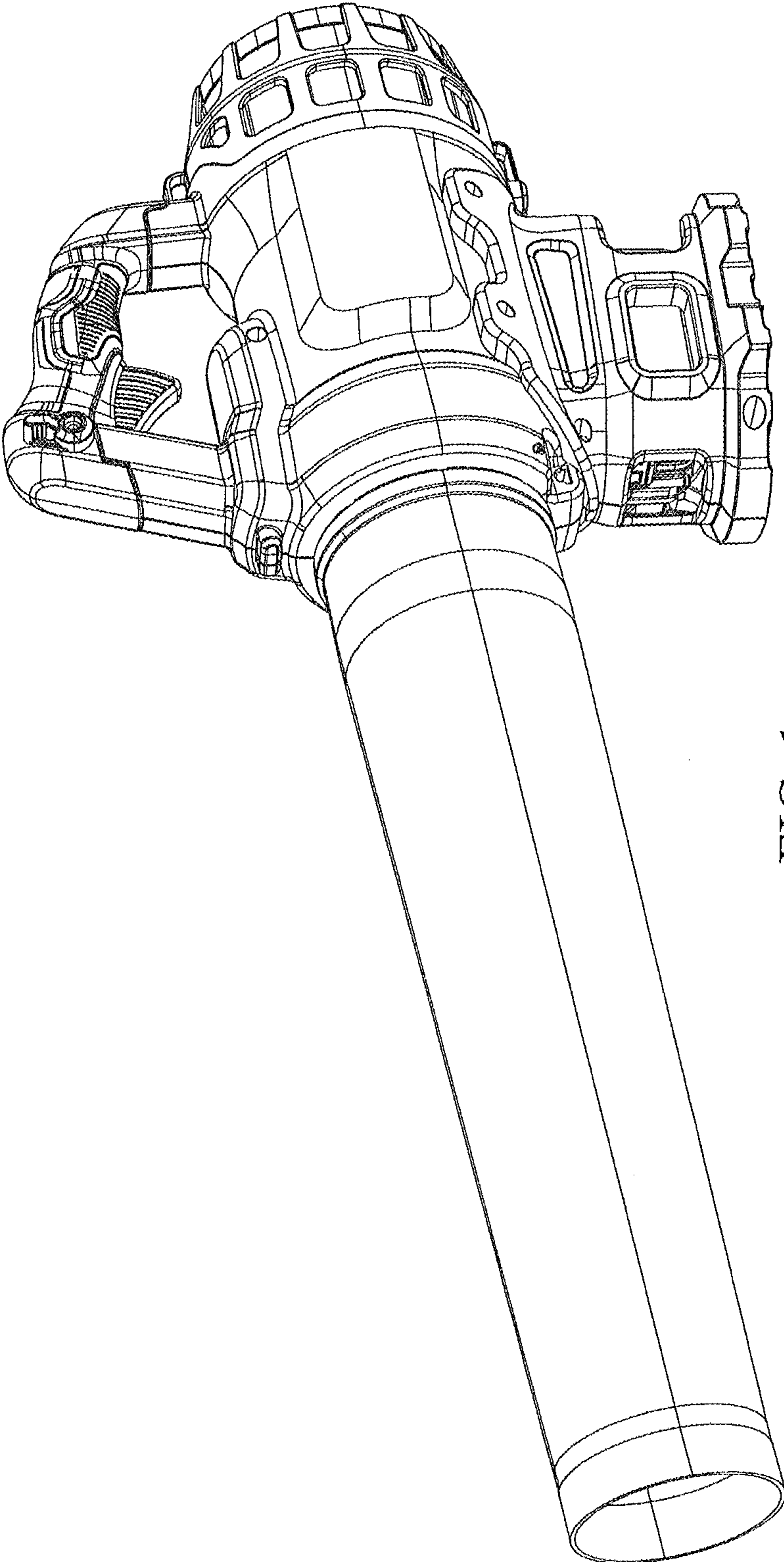


FIG. 1

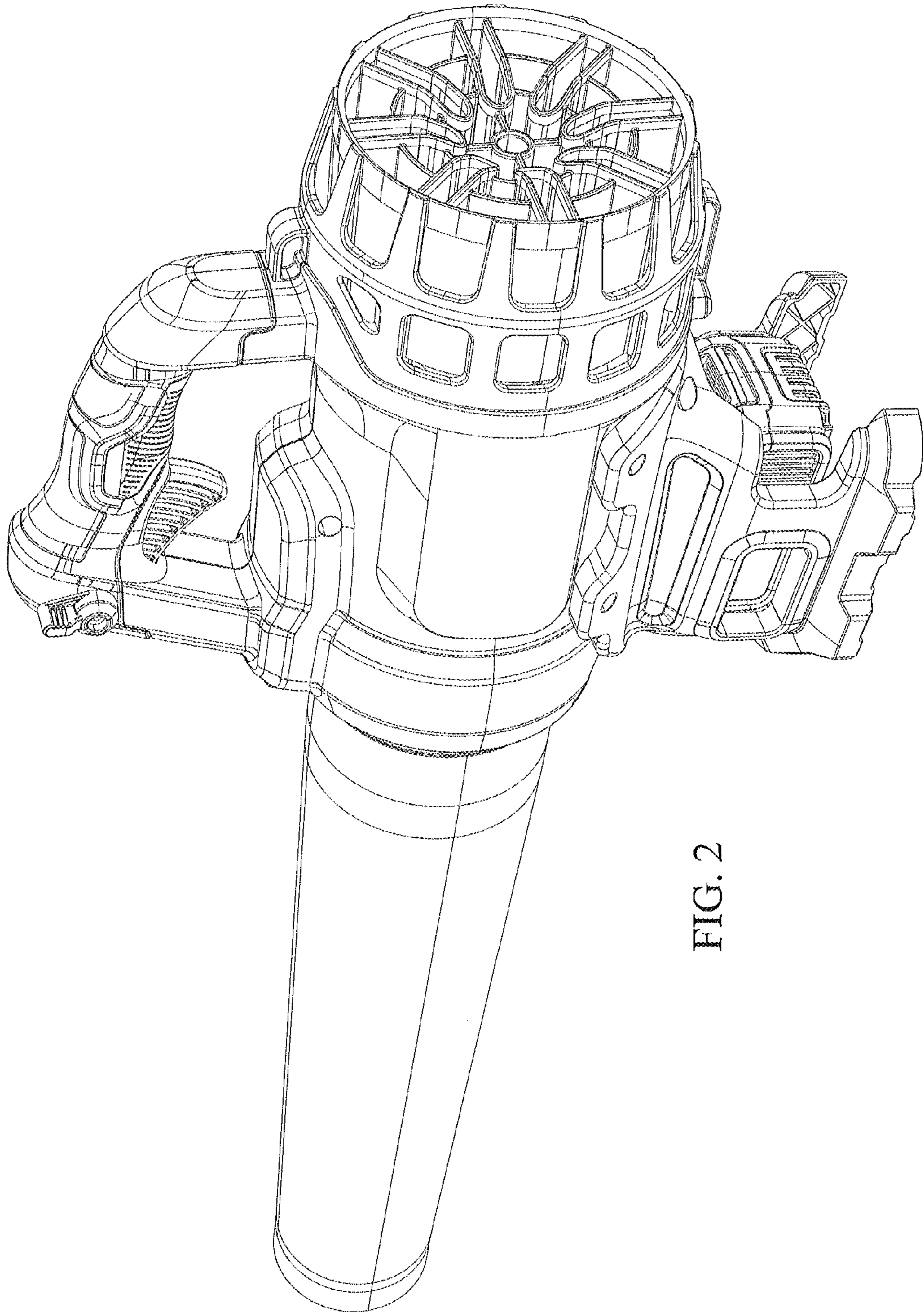


FIG. 2

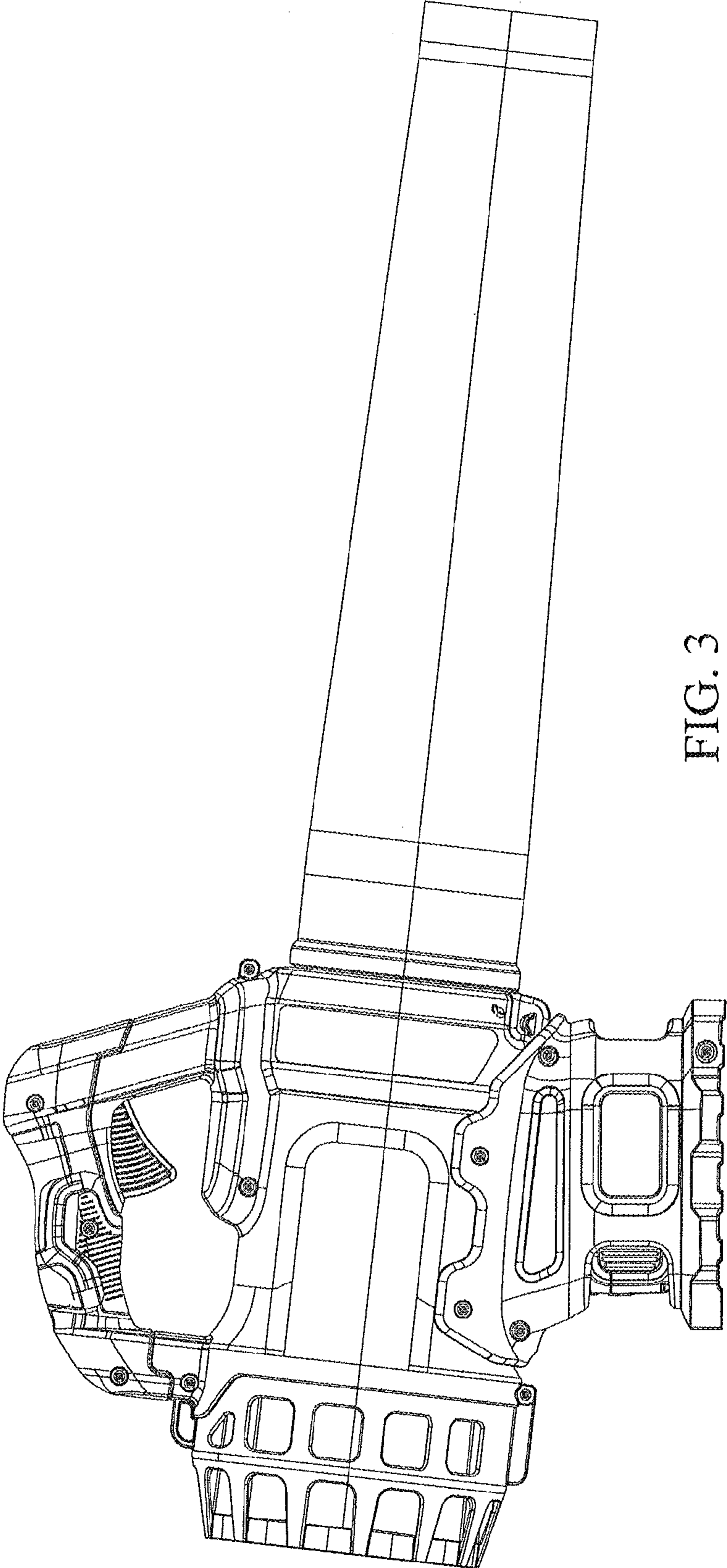


FIG. 3

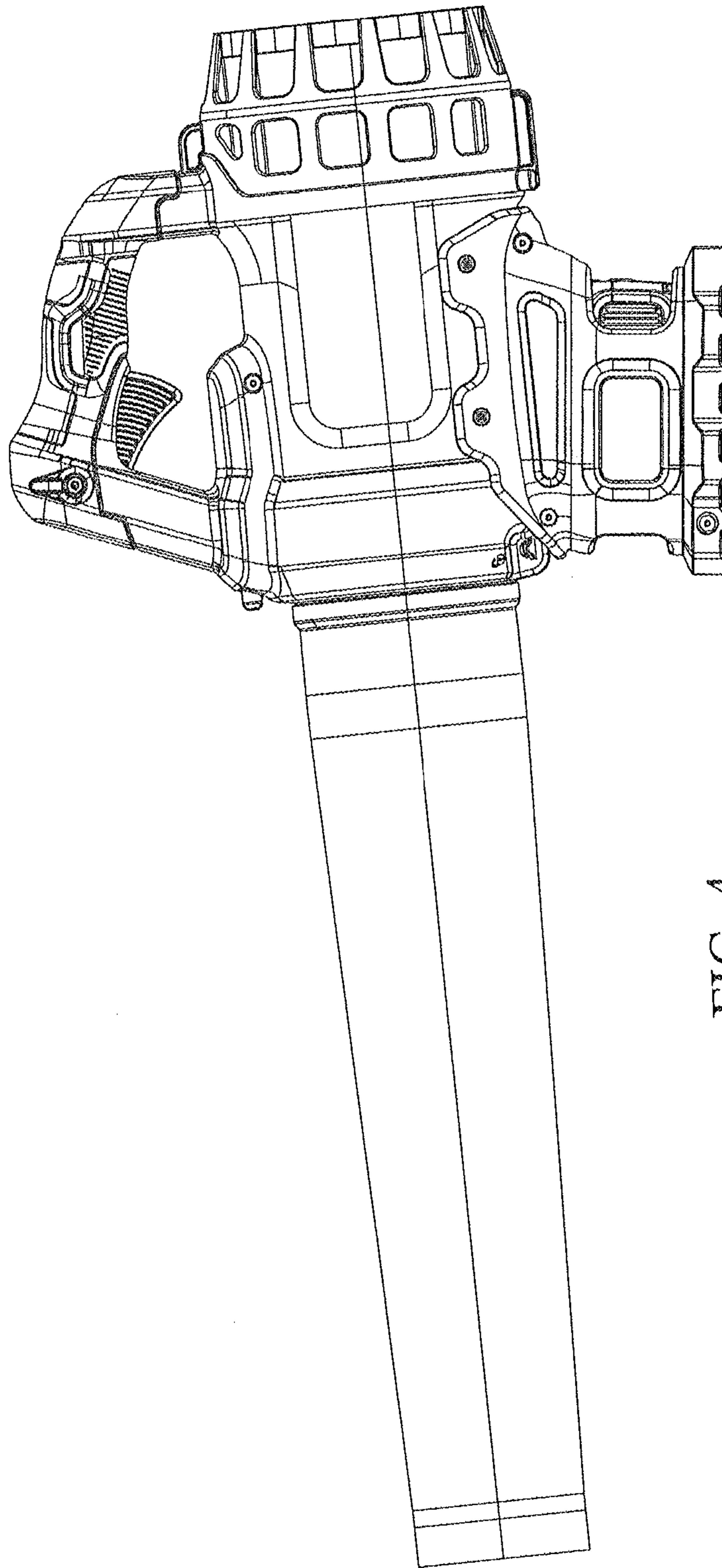


FIG. 4

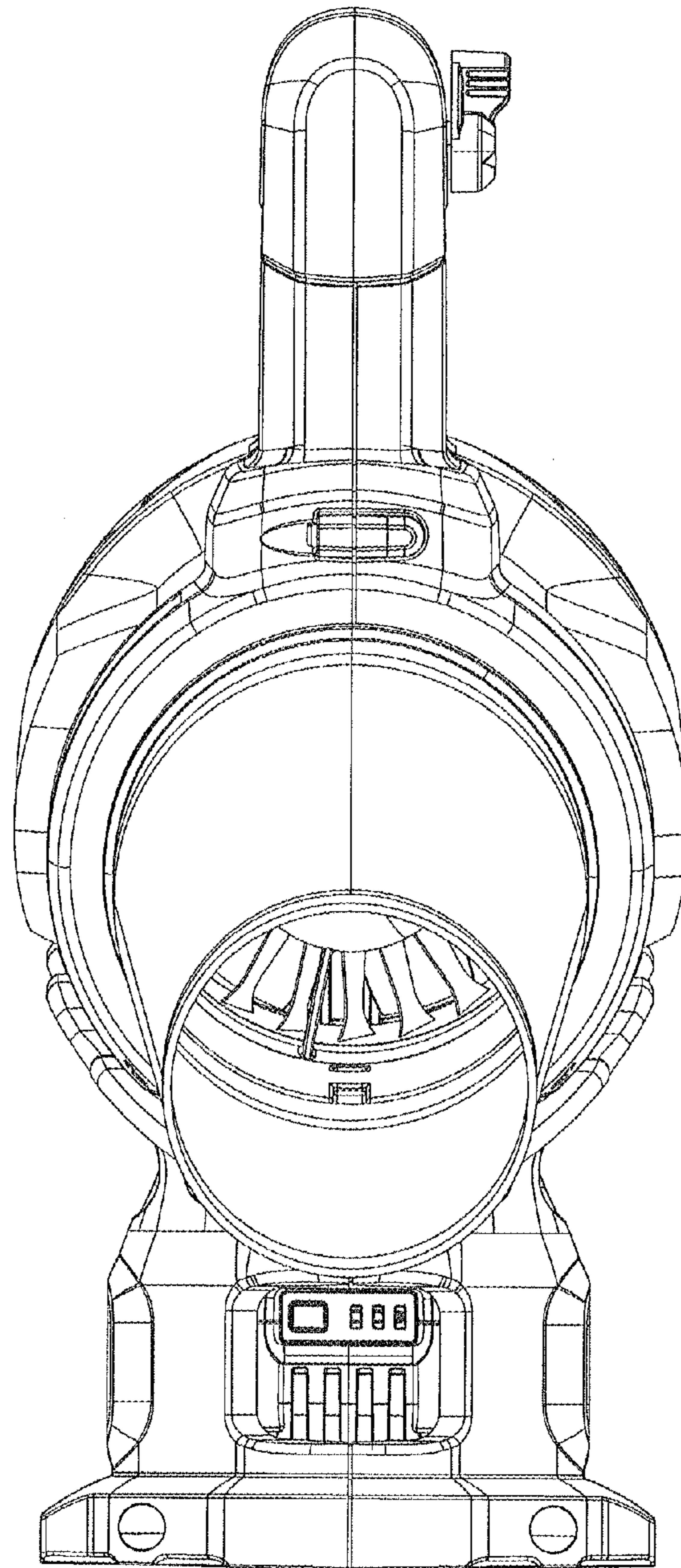


FIG. 5

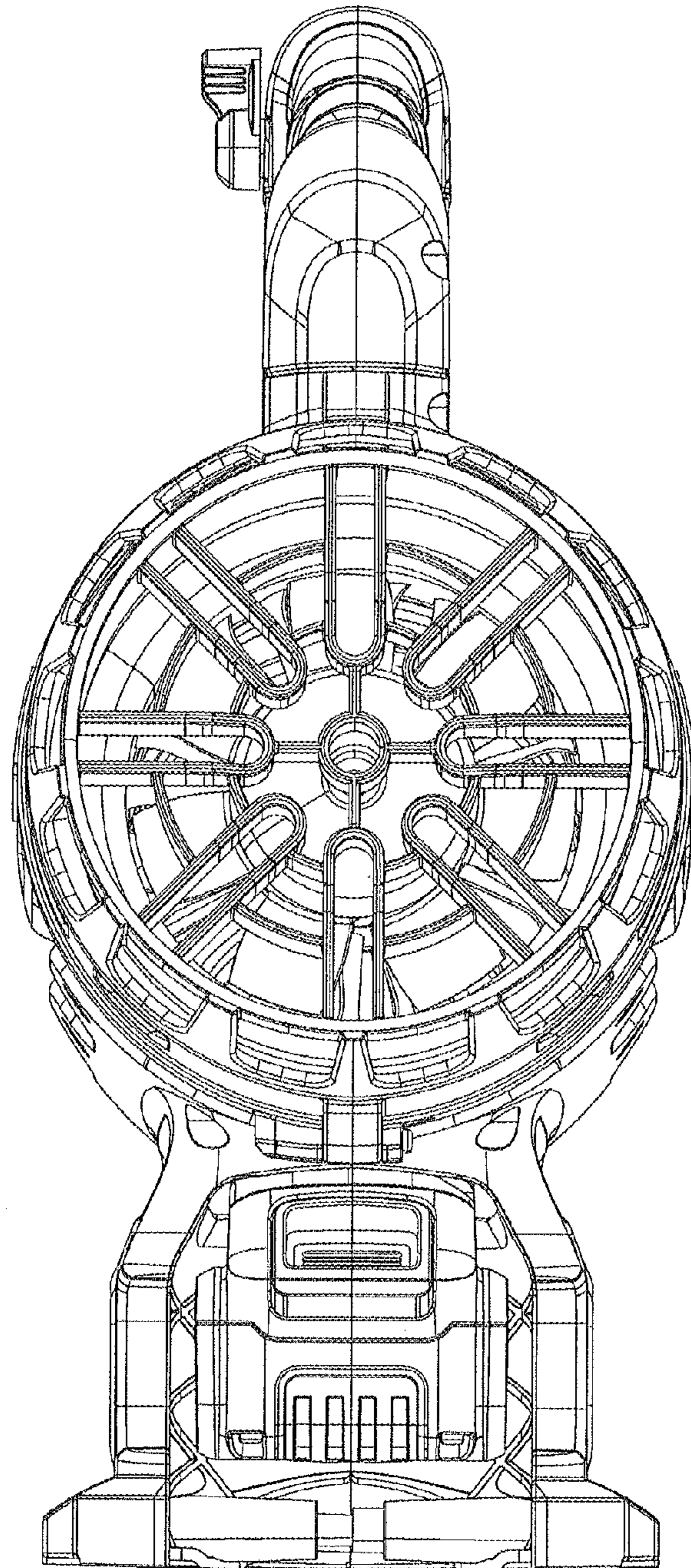


FIG. 6

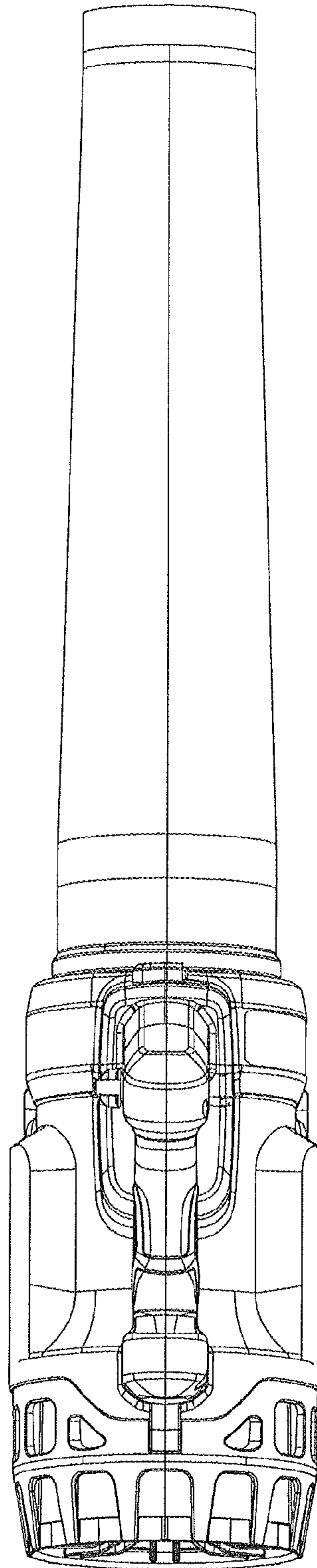


FIG. 7



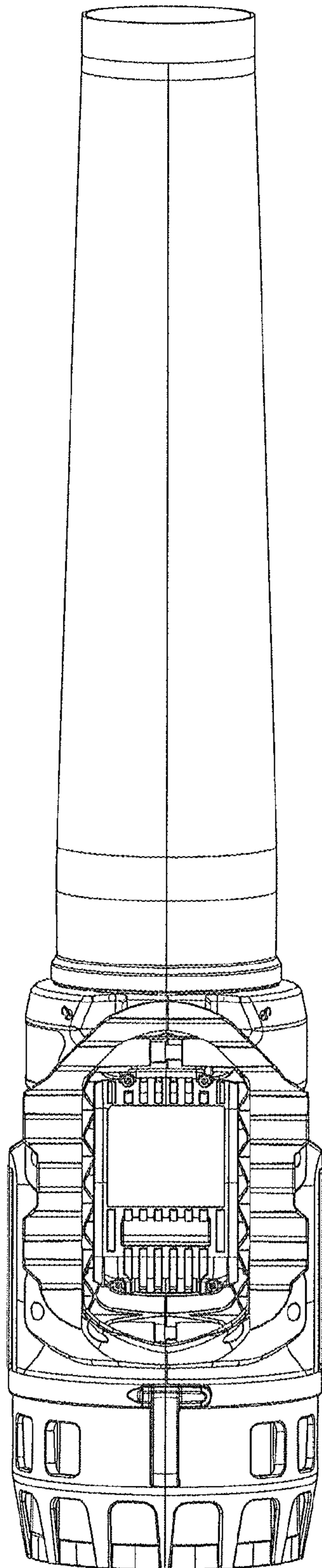


FIG. 8