



US00D748876S

(12) **United States Design Patent**
Carl et al.

(10) **Patent No.:** **US D748,876 S**
(45) **Date of Patent:** **** Feb. 2, 2016**

- (54) **BLOWER**
- (71) Applicant: **Sears Brands, L.L.C.**, Hoffman Estates, IL (US)
- (72) Inventors: **Ross Carl**, River Forest, IL (US);
Nicholas Dane Suchoza, Huntersville, NC (US)
- (73) Assignee: **Sear Brands, L.L.C.**, Hoffman Estates, IL (US)
- (**) Term: **14 Years**
- (21) Appl. No.: **29/511,282**
- (22) Filed: **Dec. 9, 2014**

D400,322 S *	10/1998	Webster et al.	D32/15
D408,950 S *	4/1999	Basham	D32/15
D431,697 S *	10/2000	Hayakawa et al.	D32/15
D461,604 S *	8/2002	Martin et al.	D32/15
D469,931 S *	2/2003	Nawrozki et al.	D32/15
6,552,891 B1 *	4/2003	Prach	361/212
D480,844 S *	10/2003	Noma et al.	D32/15
D497,692 S *	10/2004	Nawrozki et al.	D32/15
D498,885 S *	11/2004	Robson	D32/15
D526,750 S *	8/2006	Ito	D32/15
D538,984 S *	3/2007	King	D32/15
D558,939 S *	1/2008	Yuasa	D32/15
D569,055 S *	5/2008	Bochmann et al.	D32/15
D577,113 S *	9/2008	Tinius	D23/383
D584,461 S *	1/2009	Sweeney	D32/15
D591,916 S *	5/2009	Kosugi et al.	D32/15
D594,961 S *	6/2009	Tinius	D23/383
D605,819 S *	12/2009	Tinius	D32/15
D615,716 S *	5/2010	Tinius	D32/15
D638,035 S *	5/2011	Kosugi et al.	D15/5

* cited by examiner

Related U.S. Application Data

- (63) Continuation of application No. 29/467,409, filed on Sep. 18, 2013, now Pat. No. Des. 719,307.
- (51) **LOC (10) Cl.** **15-05**
- (52) **U.S. Cl.**
USPC **D32/15; D15/12**
- (58) **Field of Classification Search**
USPC D15/11, 12, 5, 17; D32/1, 15-19, 21, D32/25; D23/213, 383; 15/328, 329, 330, 15/344, 345, 404, 405, 414, 339, 415.1, 15/413, 326; 417/236, 423.1, 423.3
CPC A47L 5/14; A47L 9/32; A01G 1/125; F04B 17/00; F04B 35/04
See application file for complete search history.

Primary Examiner — Mark Goodwin

(74) *Attorney, Agent, or Firm* — McAndrews Held & Malloy, Ltd.

(57) **CLAIM**

The ornamental design for a blower, as shown and described.

DESCRIPTION

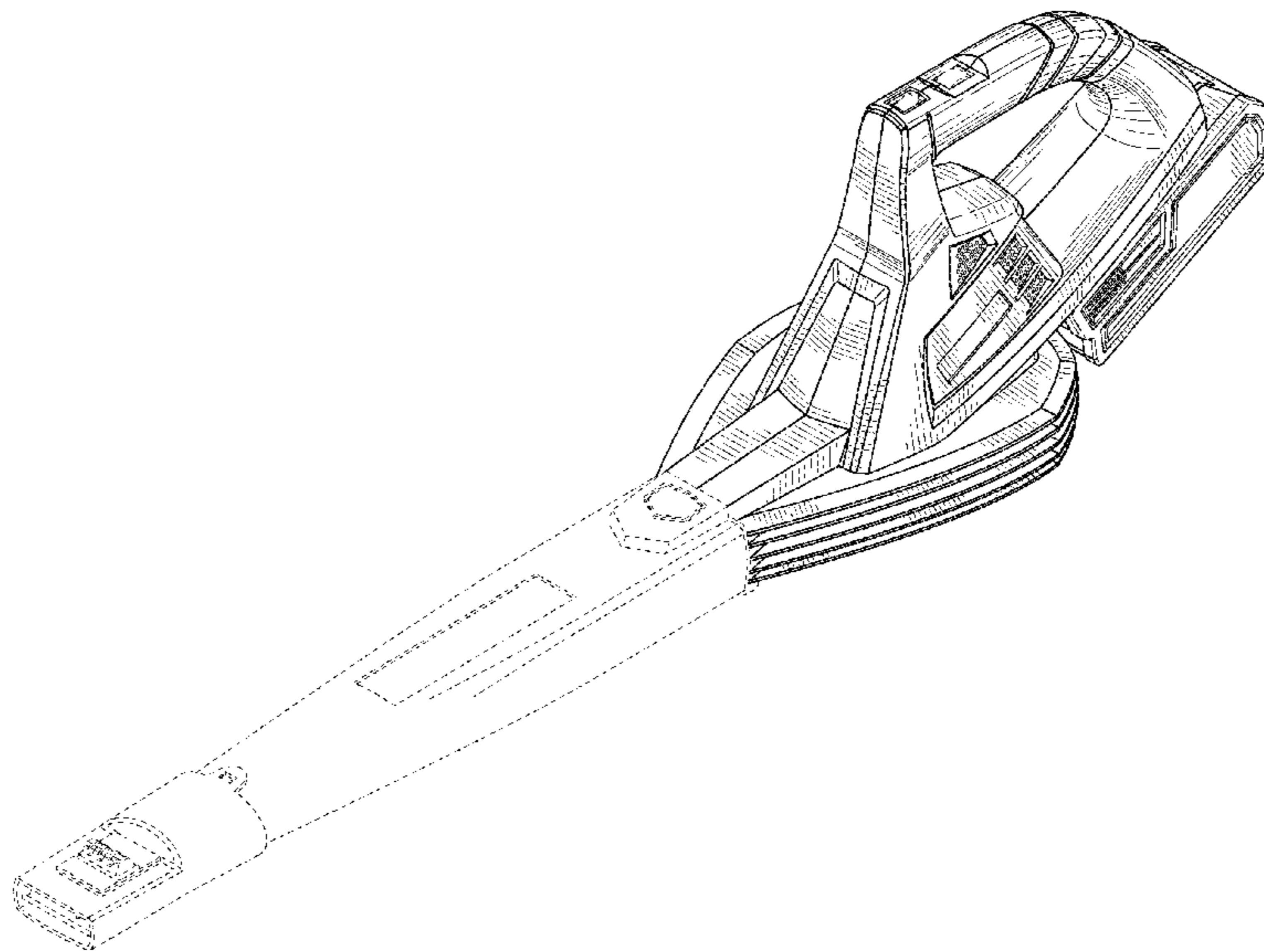
FIG. 1 is a top right front perspective view of a blower showing our new design;
 FIG. 2 is a front elevation view thereof;
 FIG. 3 is a rear elevation view thereof;
 FIG. 4 is a left-side elevation view thereof;
 FIG. 5 is a right-side elevation view thereof;
 FIG. 6 is a top plan view thereof;
 FIG. 7 is a bottom plan view thereof; and,
 FIG. 8 is a bottom left rear perspective view thereof.
 The dashed broken lines are for environmental purposes only and form no part of the claimed design.

1 Claim, 5 Drawing Sheets

(56) **References Cited**

U.S. PATENT DOCUMENTS

D258,908 S *	4/1981	Satoh	D23/383
D322,971 S *	1/1992	Tuggle et al.	D15/13
D359,603 S *	6/1995	Rakocy et al.	D32/15
D363,149 S *	10/1995	Franke et al.	D32/15



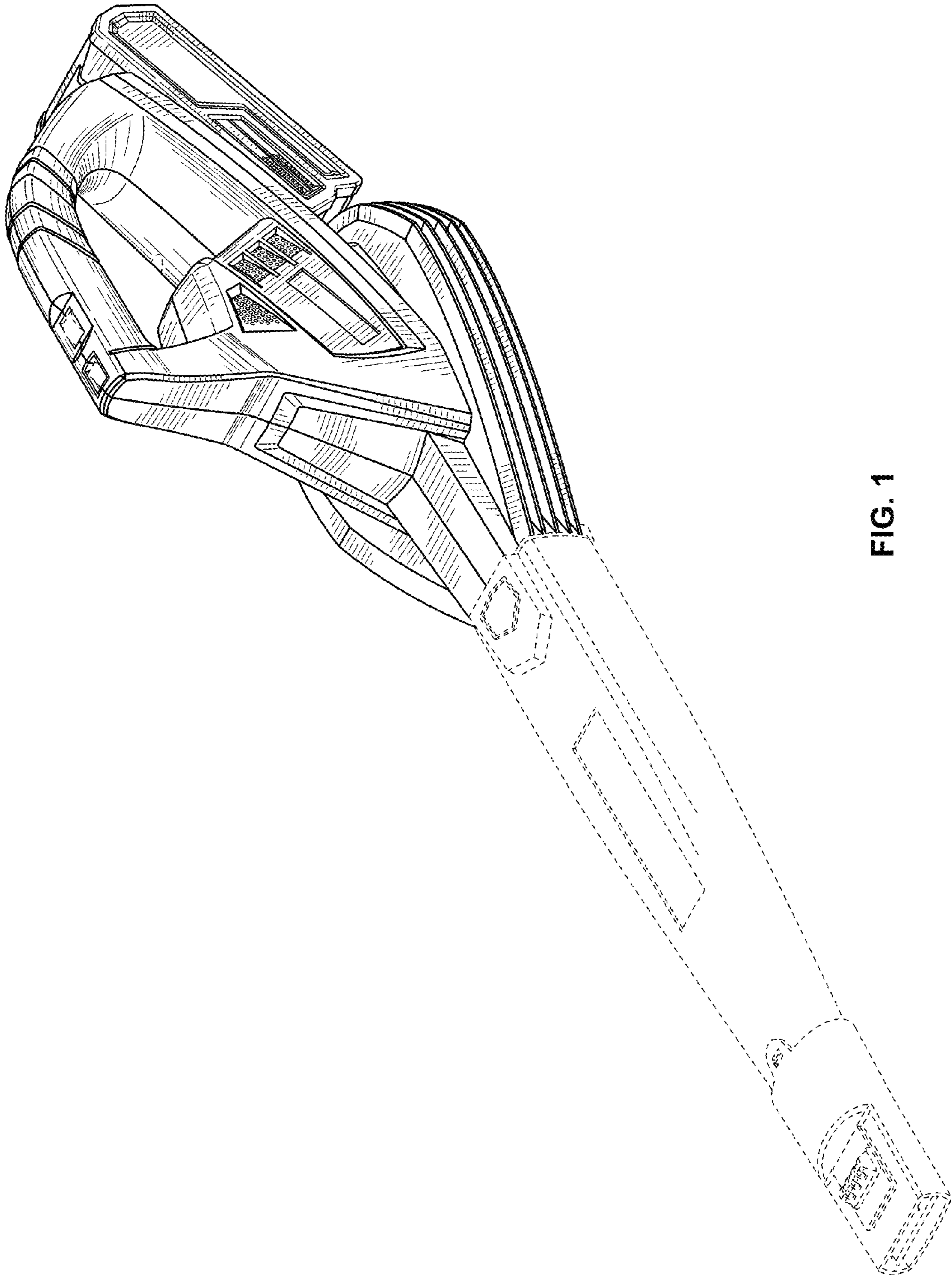


FIG. 1

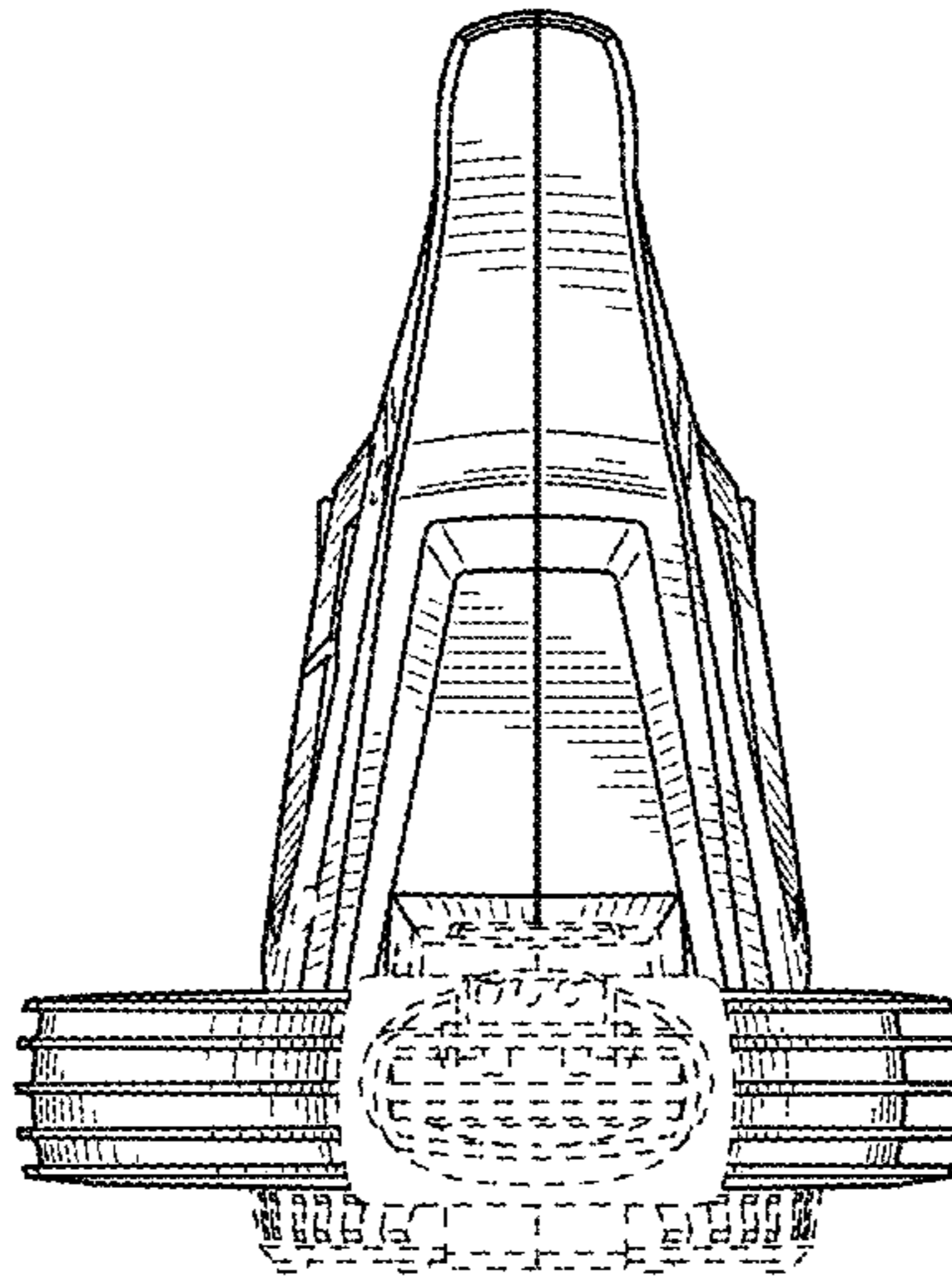


FIG. 2

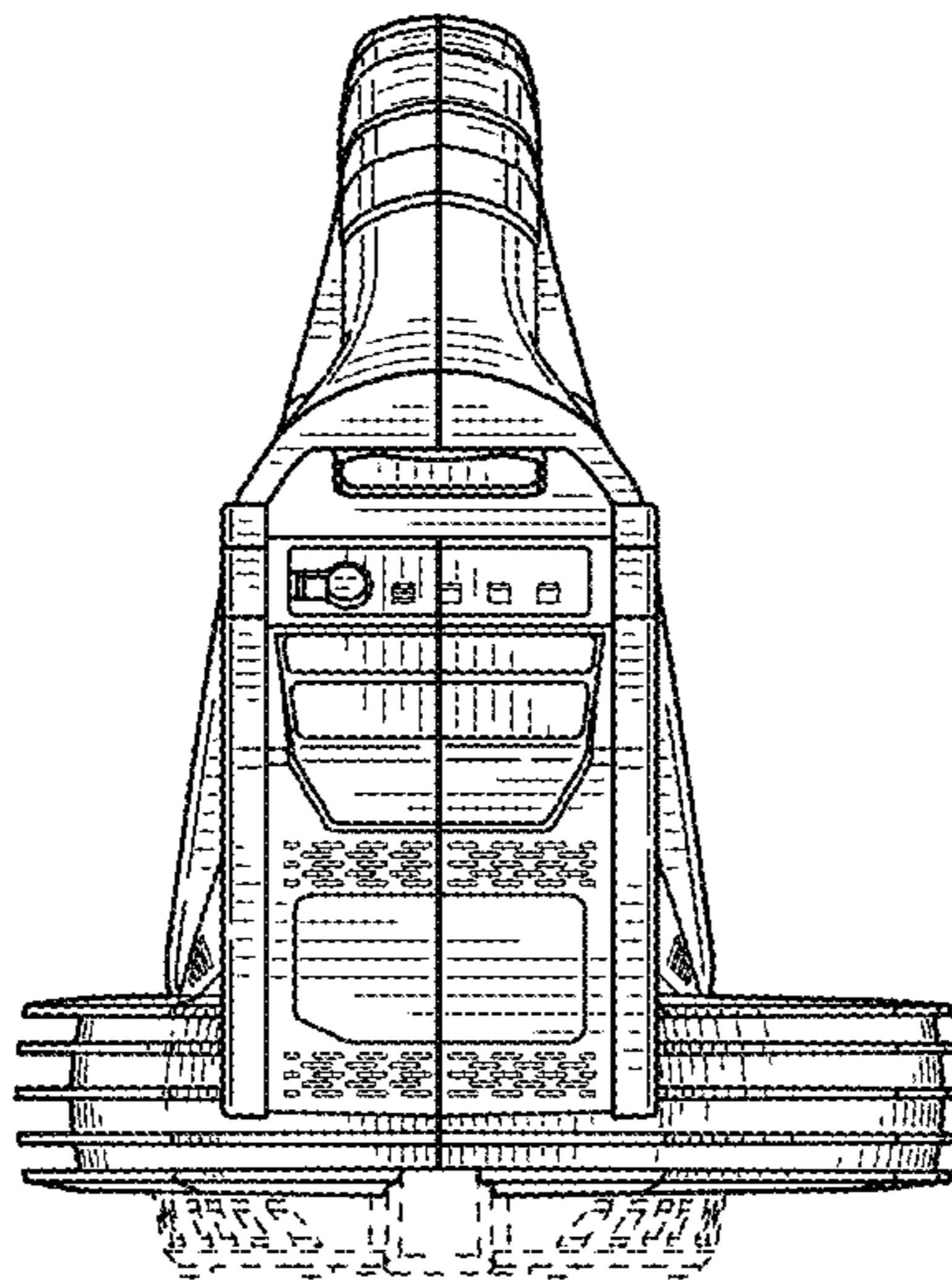


FIG. 3

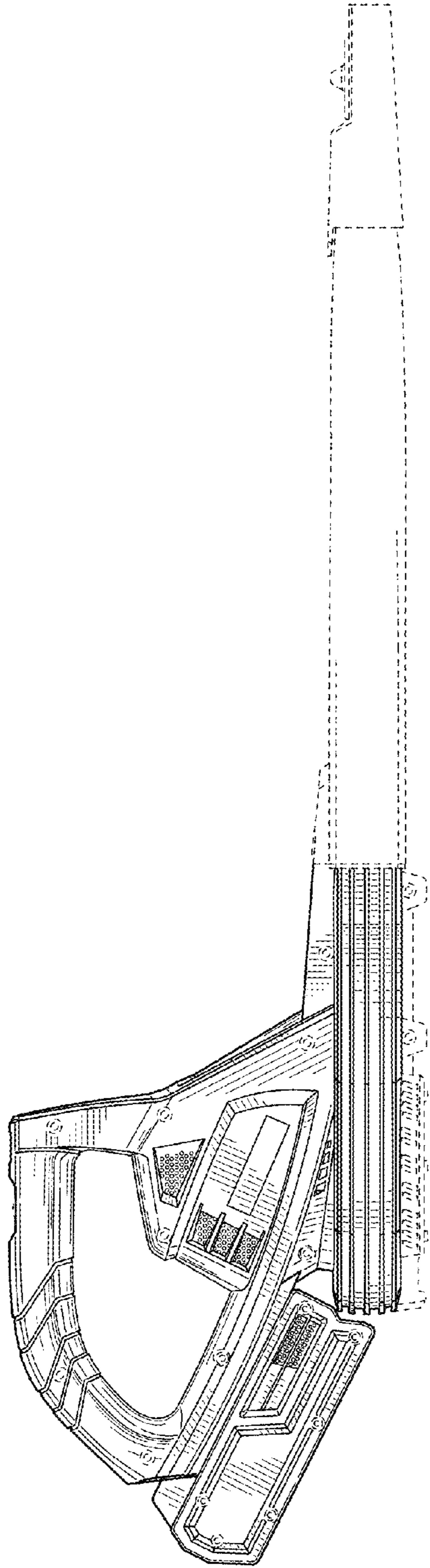


FIG. 4

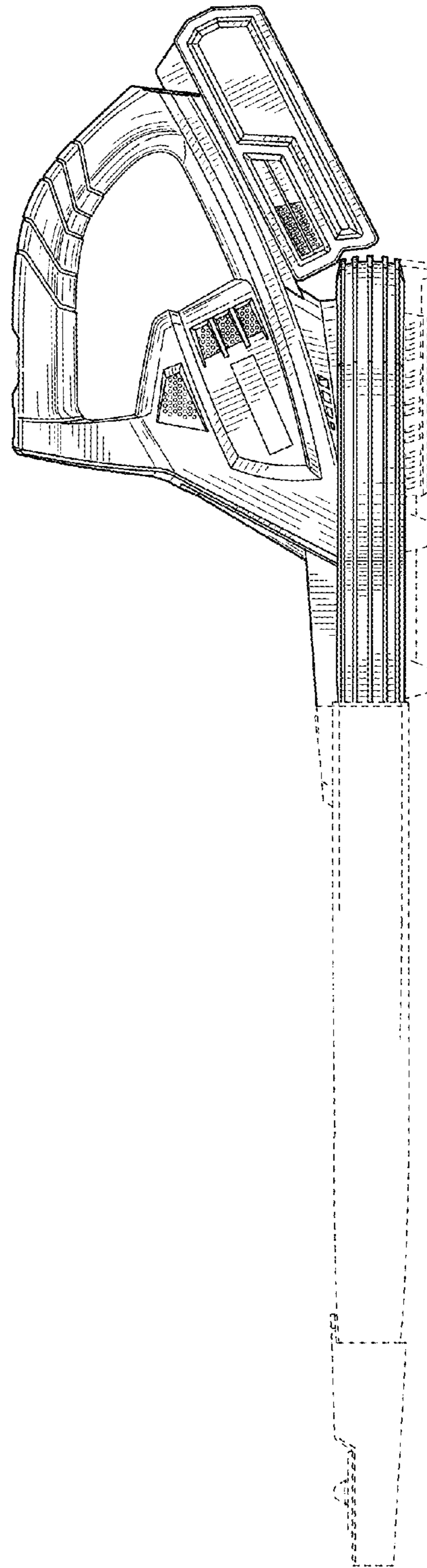
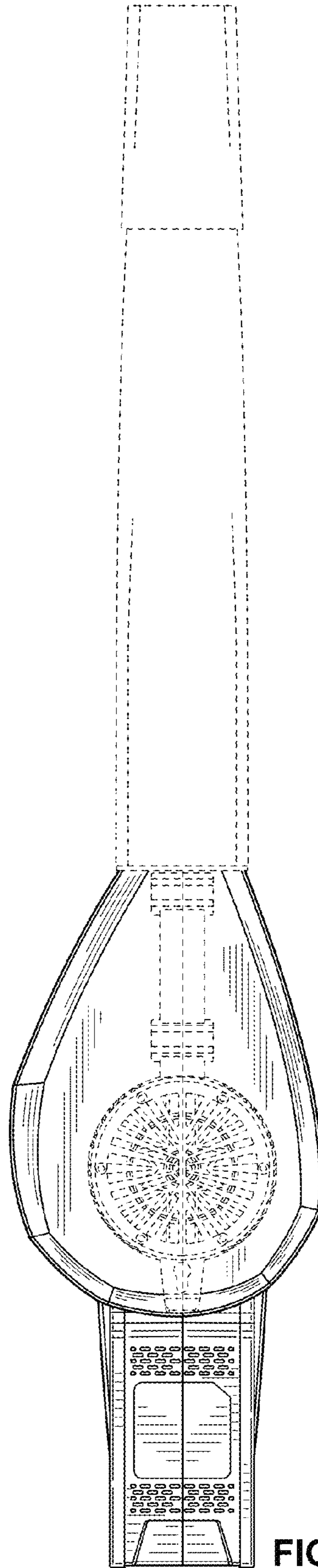
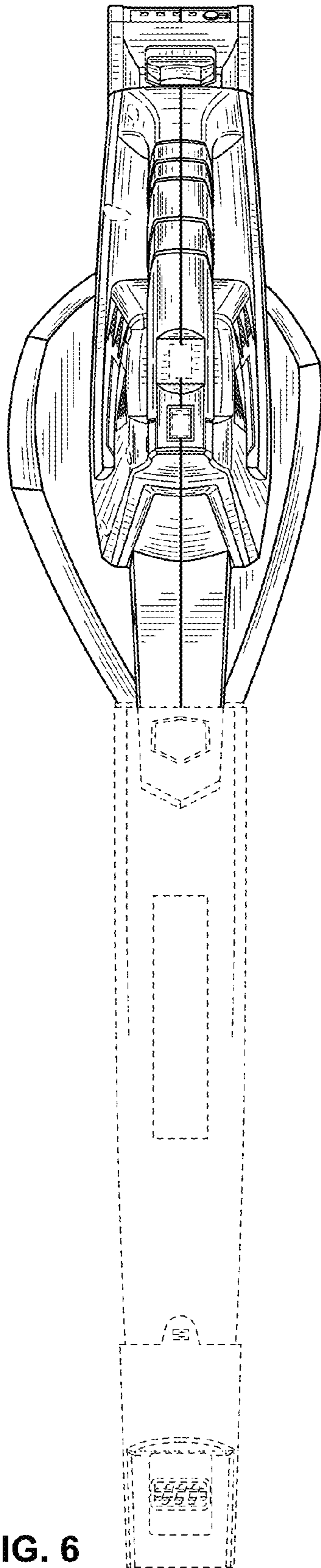


FIG. 5



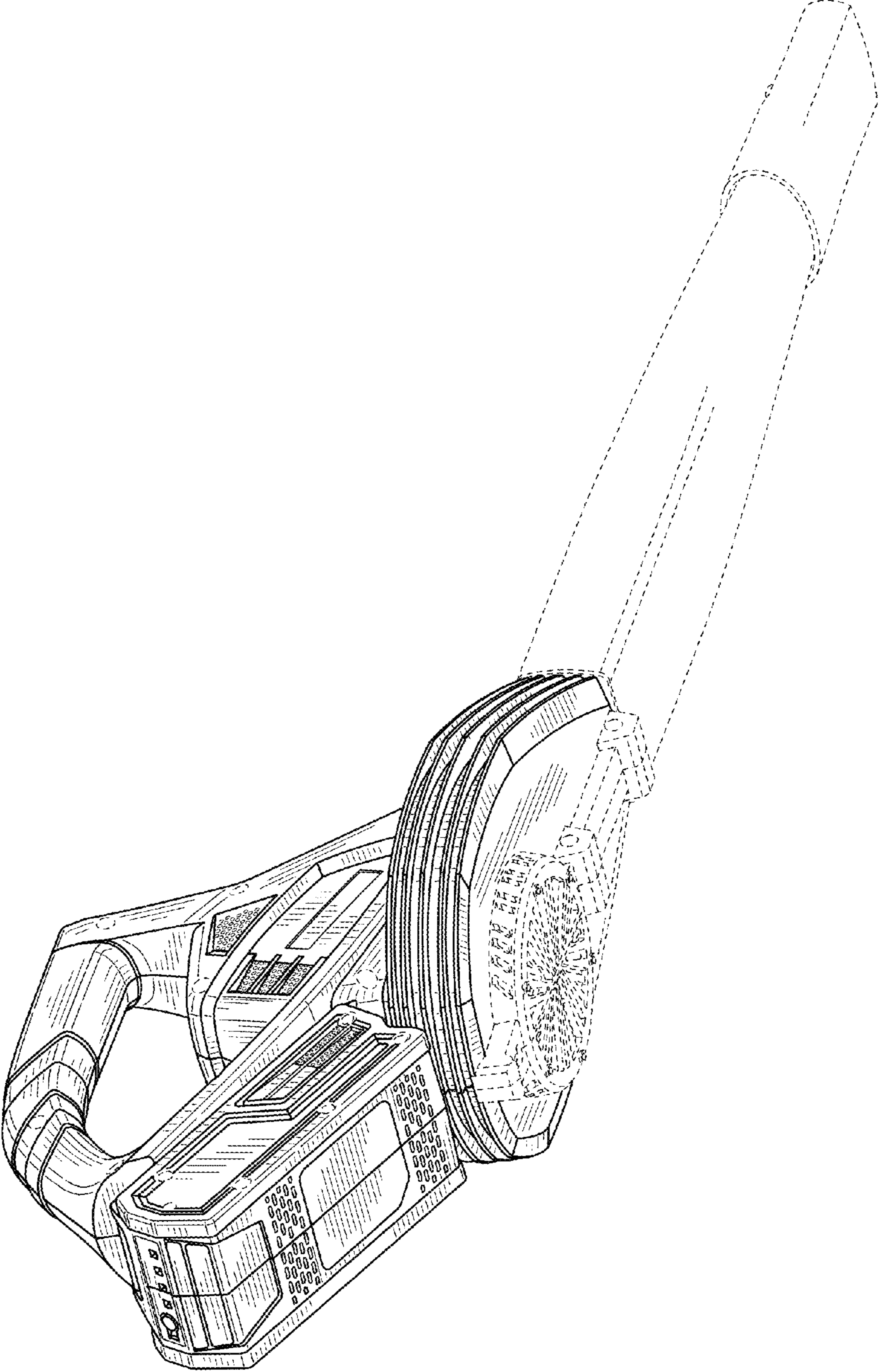


FIG. 8