



US00D748875S

(12) **United States Design Patent**
Roberson et al.

(10) **Patent No.:** **US D748,875 S**
(45) **Date of Patent:** **** Feb. 2, 2016**

(54) **LIGHTED DISHWASHER DOOR**

(56) **References Cited**

(71) Applicant: **BSH Home Appliances Corporation**,
Irvine, CA (US)

U.S. PATENT DOCUMENTS

(72) Inventors: **Lindsay Roberson**, Durham, NC (US);
Michael Georg Rosenbauer,
Reimlingen (DE); **Metin Tastan**,
Dillingen (DE); **Ralf Winkler**,
Wittislingen (DE)

2,703,581	A	*	3/1955	Culhane	134/133
D473,980	S	*	4/2003	Bowser et al.	D32/3
D512,544	S	*	12/2005	Jeong et al.	D32/3
D515,255	S	*	2/2006	Jeong	D32/3
D544,657	S	*	6/2007	Jung et al.	D32/2
D580,603	S	*	11/2008	Busalt et al.	D32/3
D622,915	S	*	8/2010	Crookshanks et al.	D32/3
D675,792	S	*	2/2013	Eng et al.	D32/3
D677,025	S	*	2/2013	Borjesson	D32/3
2011/0031856	A1	*	2/2011	Haltmayer et al.	312/228

(73) Assignee: **BSH Home Appliances Corporation**,
Irvine, CA (US)

* cited by examiner

(**) Term: **15 Years**

Primary Examiner — Robert Delehanty

(21) Appl. No.: **29/535,809**

(74) *Attorney, Agent, or Firm* — James E. Howard; Andre Pallapies

(22) Filed: **Aug. 11, 2015**

Related U.S. Application Data

(60) Division of application No. 29/479,123, filed on Jan. 13, 2014, now Pat. No. Des. 732,756, which is a division of application No. 29/467,696, filed on Sep. 23, 2013, now Pat. No. Des. 702,006, which is a division of application No. 29/434,111, filed on Oct. 10, 2012, now Pat. No. Des. 696,477, which is a division of application No. 29/410,163, filed on Jan. 5, 2012, now Pat. No. Des. 675,792, which is a continuation-in-part of application No. 13/043,504, filed on Mar. 9, 2011, now Pat. No. 8,556,439.

(57) **CLAIM**

The ornamental design for a lighted dishwasher door, as shown and described.

(51) **LOC (10) Cl.** **15-05**

(52) **U.S. Cl.**
USPC **D32/3; D26/42**

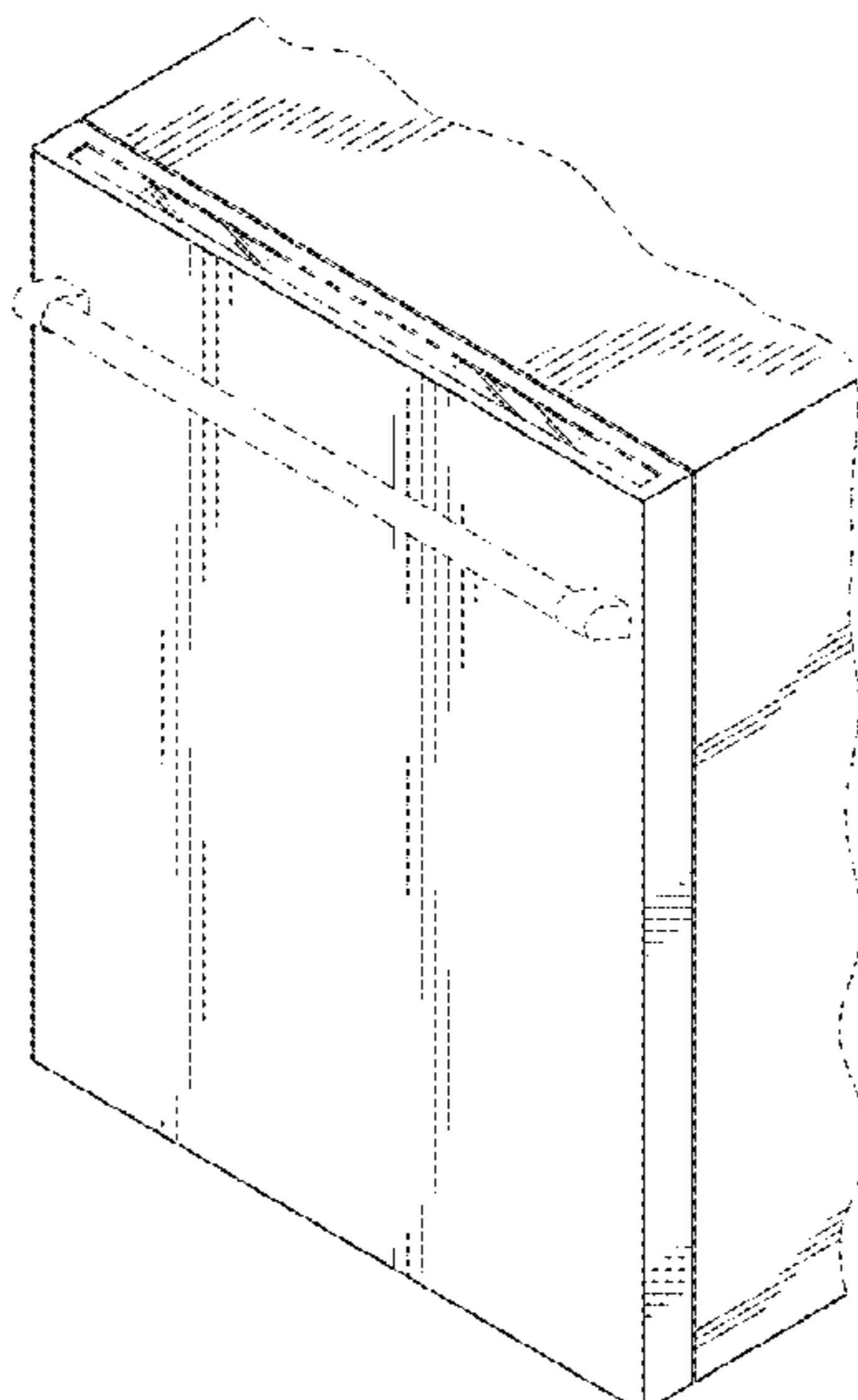
DESCRIPTION

(58) **Field of Classification Search**
USPC D32/1-3, 25, 28; 312/31, 109, 228;
134/56 D, 57 D, 58 D, 58 DL, 201,
134/57 DL; D7/340, 348-350, 405; D26/42,
D26/3, 27, 43, 75; 362/555, 551, 602-605,
362/91

FIG. 1 is a perspective view of a lighted dishwasher door according to our new ornamental design;
FIG. 2 is a front view thereof;
FIG. 3 is a top view thereof;
FIG. 4 is a cross sectional view of the door; and,
FIG. 4-1 is an enlarged view of the detail shown in FIG. 4.
The dotted lines represent the border between claimed and unclaimed subject matter and do not form a part of the claimed design.
The rear of the dishwasher door, and the bottom, sides, rear and/or top of the dishwasher are unornamented or simply not claimed and form no part of the claimed design.

See application file for complete search history.

1 Claim, 5 Drawing Sheets



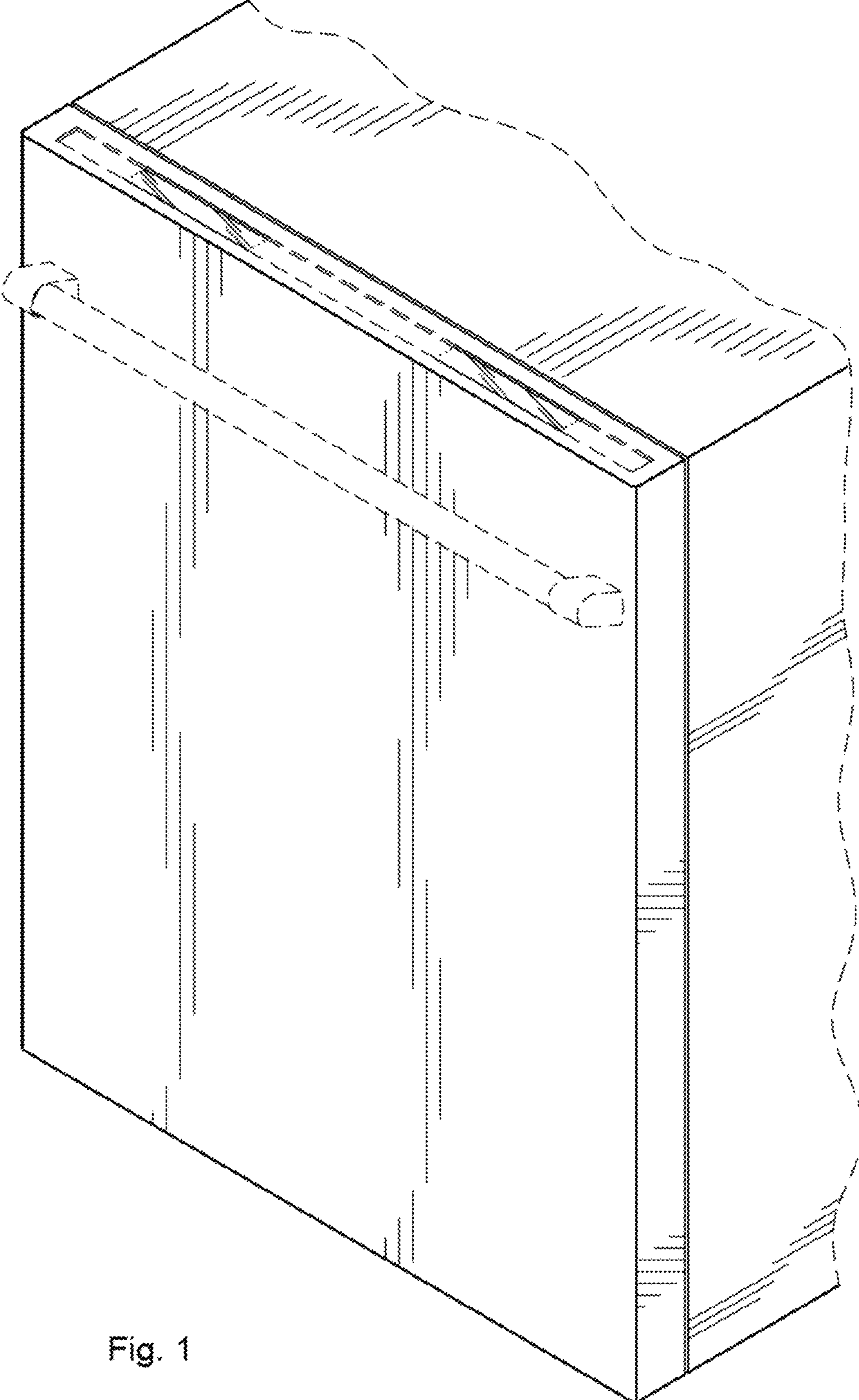


Fig. 1

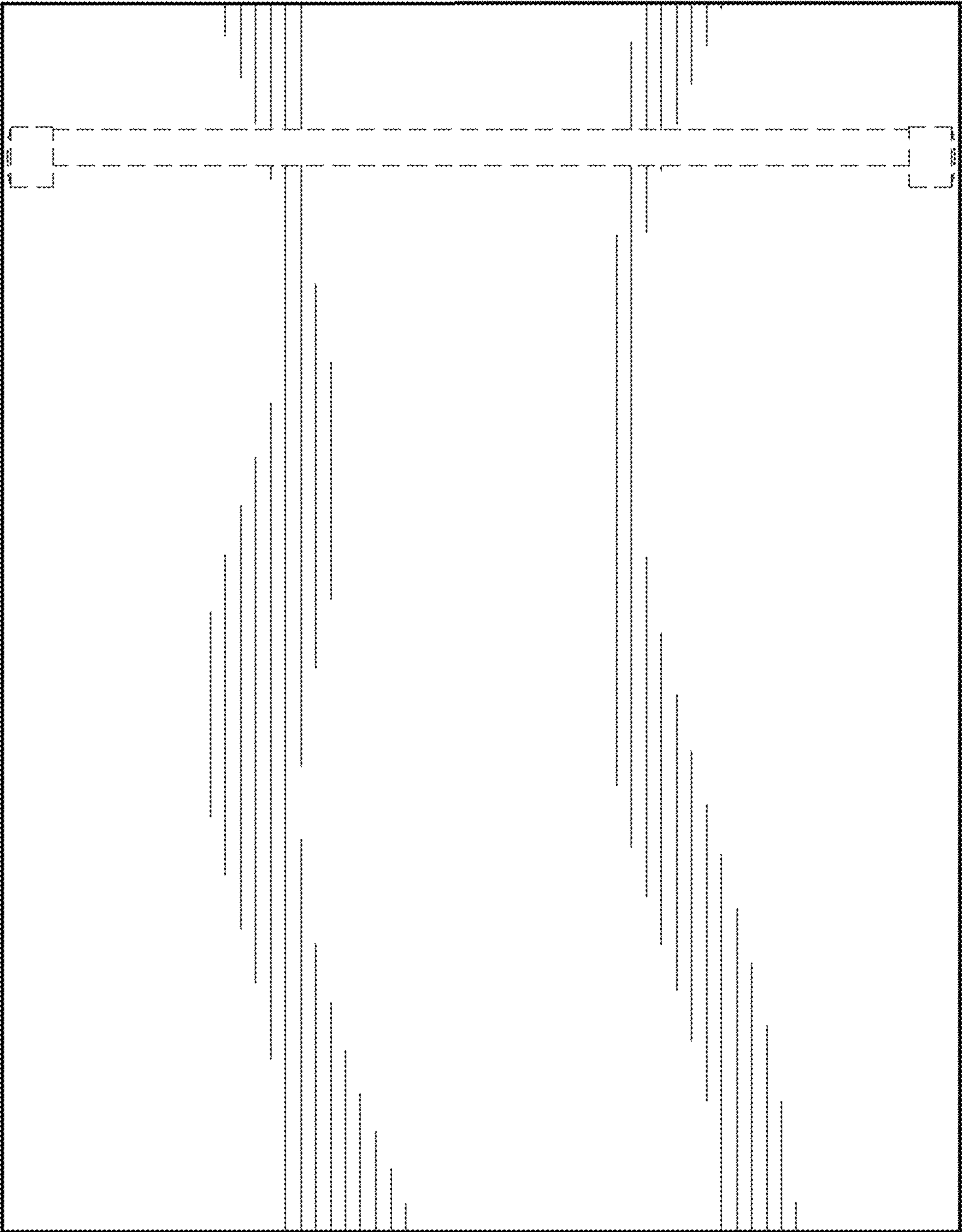


Fig. 2

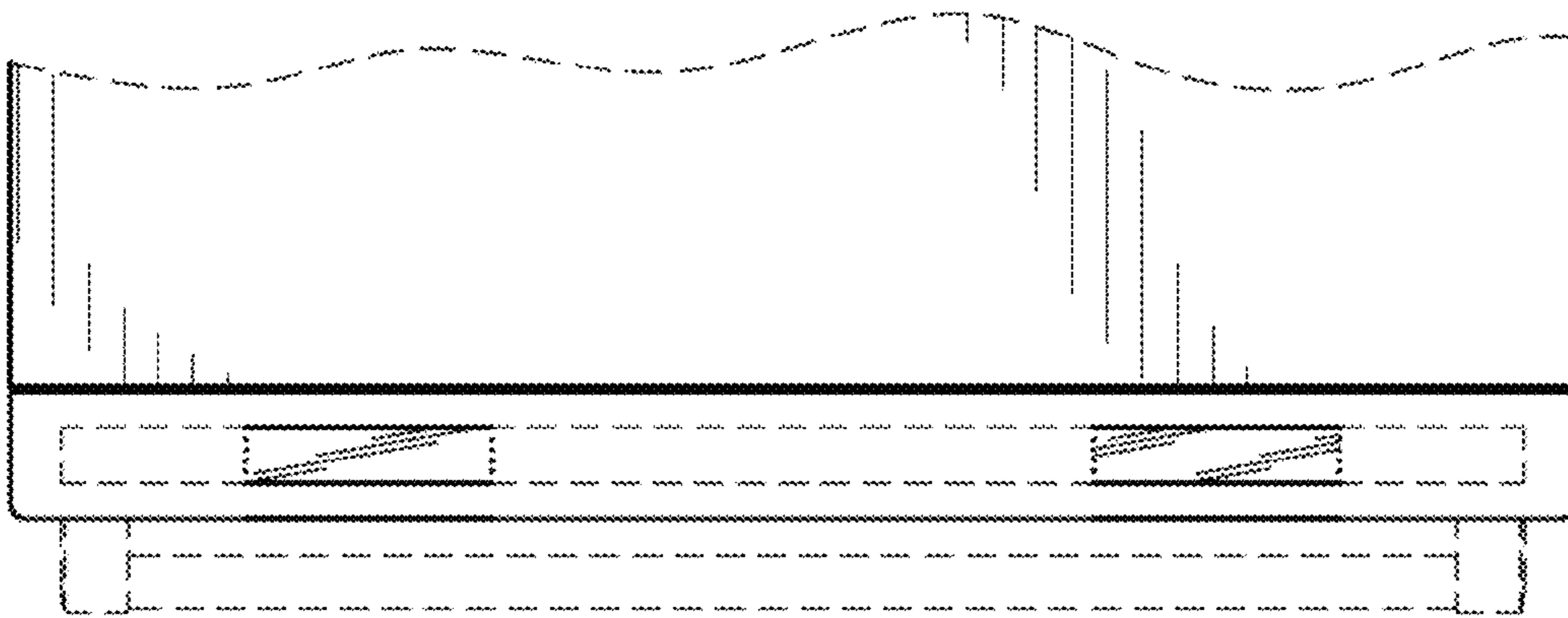


Fig. 3

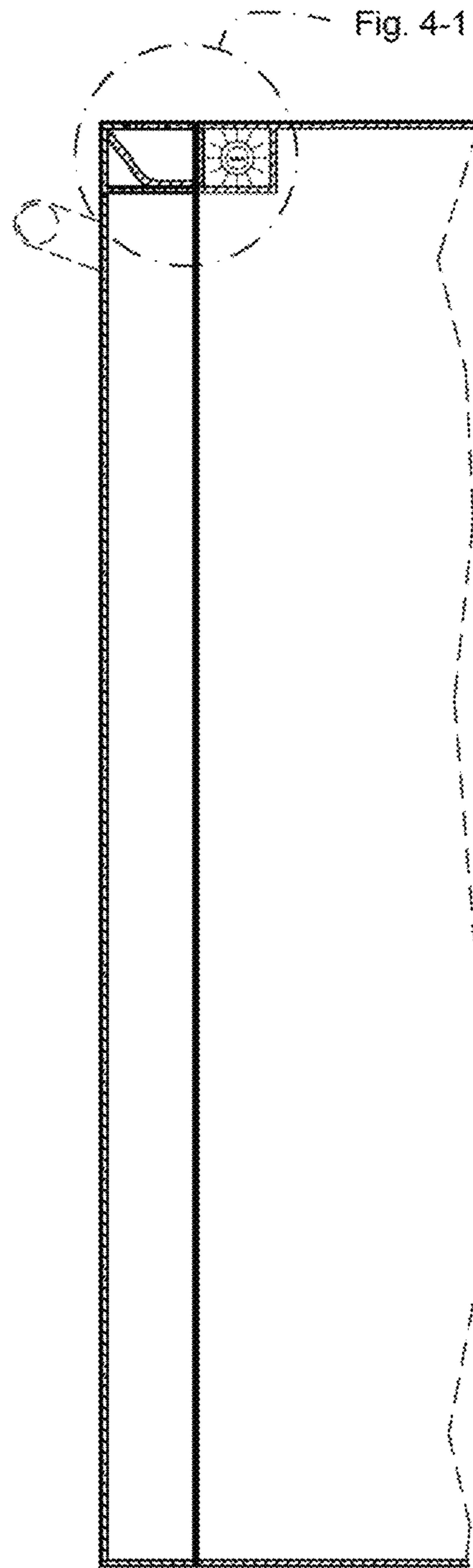


Fig. 4

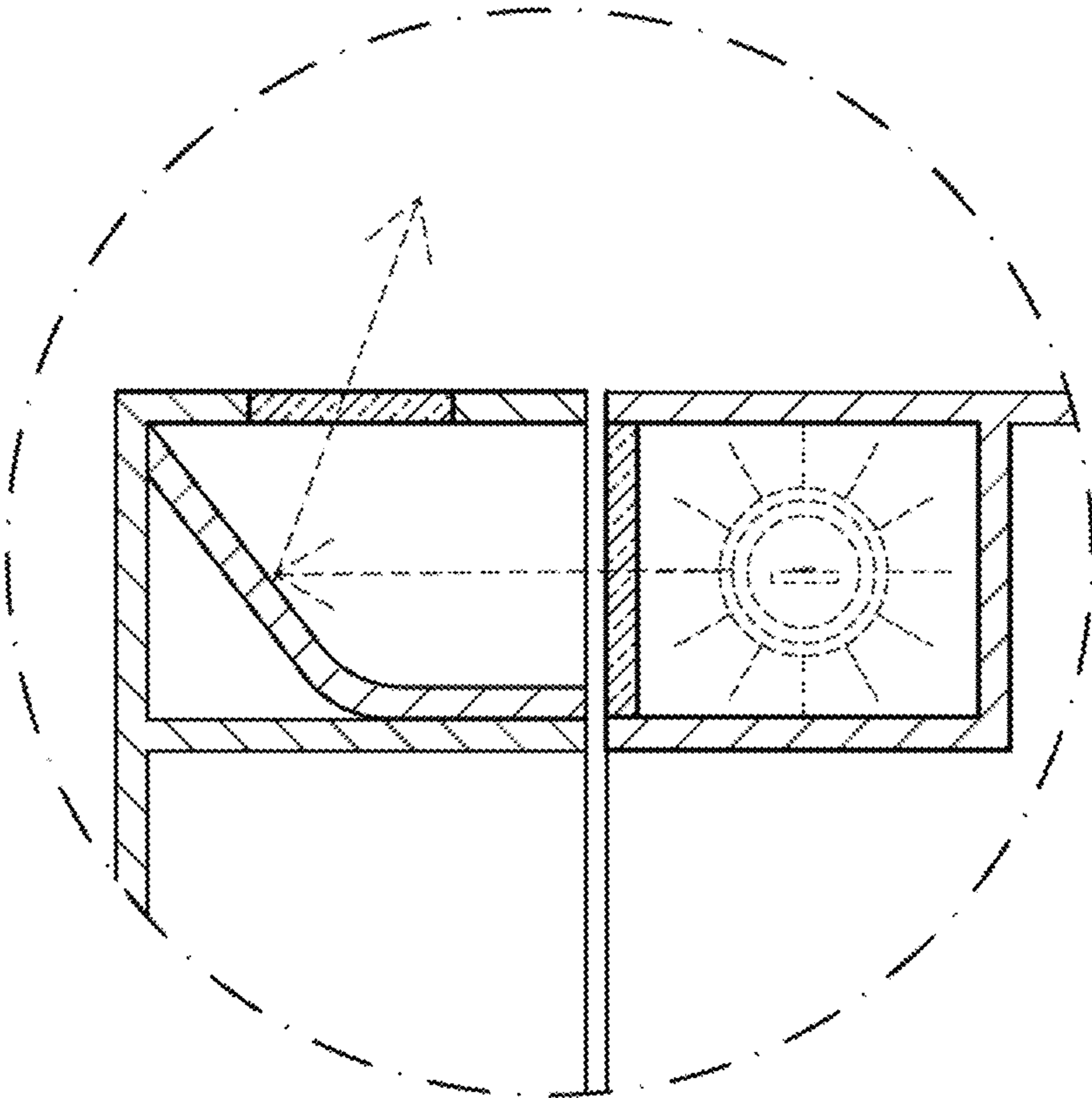


Fig. 4-1