



US00D748874S

(12) **United States Design Patent**  
**Roberson et al.**

(10) **Patent No.:** **US D748,874 S**  
(45) **Date of Patent:** **\*\* Feb. 2, 2016**

(54) **DISHWASHER HANDLE AND FRAME WITH CONTROL PANEL**

(56) **References Cited**

U.S. PATENT DOCUMENTS

- (71) Applicant: **BSH Home Appliances Corporation**, Irvine, CA (US)
- (72) Inventors: **Lindsay Roberson**, Durham, NC (US); **Thomas Ott**, Neubiberg (DE)
- (73) Assignee: **BSH Home Appliances Corporation**, Irvine, CA (US)
- (\*\*) Term: **15 Years**
- (21) Appl. No.: **29/535,808**
- (22) Filed: **Aug. 11, 2015**

D385,070	S	*	10/1997	Hughes et al.	.....	D32/3
D424,257	S	*	5/2000	Umeda et al.	.....	D32/2
6,893,061	B2	*	5/2005	Miller et al.	.....	292/303
D539,992	S	*	4/2007	Yamamoto et al.	.....	D32/2
7,216,944	B2	*	5/2007	Oyler et al.	.....	312/311
D544,657	S	*	6/2007	Jung et al.	.....	D32/2
D577,869	S	*	9/2008	Tartan et al.	.....	D32/2
D613,467	S	*	4/2010	Park et al.	.....	D32/6
D627,937	S	*	11/2010	Kim	.....	D32/2
D658,828	S	*	5/2012	Kim et al.	.....	D32/2
D661,437	S	*	6/2012	Kim et al.	.....	D32/2
D681,289	S	*	4/2013	Eng et al.	.....	D32/3
2003/0030288	A1	*	2/2003	Miller et al.	.....	292/303

\* cited by examiner

*Primary Examiner* — Robert Delehanty

(74) *Attorney, Agent, or Firm* — James E. Howard; Andre Pallapies

**Related U.S. Application Data**

(62) Division of application No. 29/524,048, filed on Apr. 16, 2015, which is a division of application No. 29/478,288, filed on Jan. 3, 2014, now Pat. No. Des. 730,592, which is a division of application No. 29/467,697, filed on Sep. 23, 2013, now Pat. No. Des. 702,899, said application No. 29/535,808 is a division of application No. 29/451,789, filed on Apr. 9, 2013, now Pat. No. Des. 734,902, which is a division of application No. 29/424,166, filed on Jun. 8, 2012, now Pat. No. Des. 684,735, which is a division of application No. 29/405,771, filed on Nov. 7, 2011, now Pat. No. Des. 665,957.

- (51) **LOC (10) Cl.** ..... **15-05**
- (52) **U.S. Cl.**  
USPC ..... **D32/3**
- (58) **Field of Classification Search**  
USPC ..... D32/1, 2, 3, 25, 28; 312/31, 109, 228;  
134/56 D, 57 D, 58 D, 58 DL, 201  
See application file for complete search history.

(57) **CLAIM**

The ornamental design for a dishwasher handle and frame with control panel thereof, as shown and described.

**DESCRIPTION**

FIG. 1 is a front view of a dishwasher handle and frame with control panel according to a first embodiment showing our new ornamental design;

FIG. 2 is a front view thereof;

FIG. 3 is a reverse perspective view thereof;

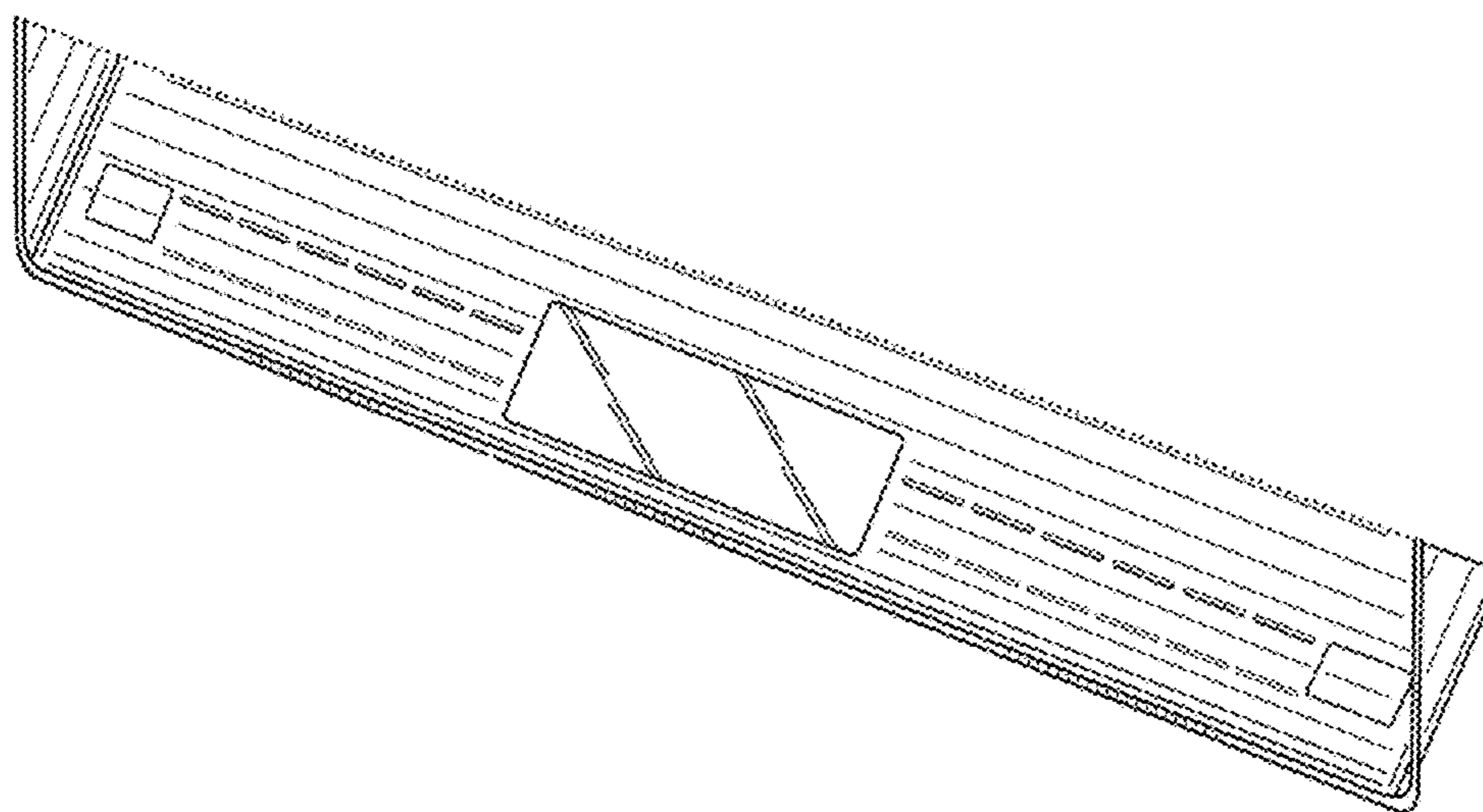
FIG. 4 is an enlarged cross sectional view along lines 30-30 of FIG. 2; and,

FIG. 5 is an enlarged cross sectional view along lines 31-31 of FIG. 2.

The broken lines of the dishwasher, dishwasher compartment and/or components thereof show surrounding structure or environment and do not form part of the claimed design.

The rear part of the dishwasher door, and the bottom, rear and top of the dishwasher compartment are unornamented and form no part of the claimed design.

**1 Claim, 2 Drawing Sheets**



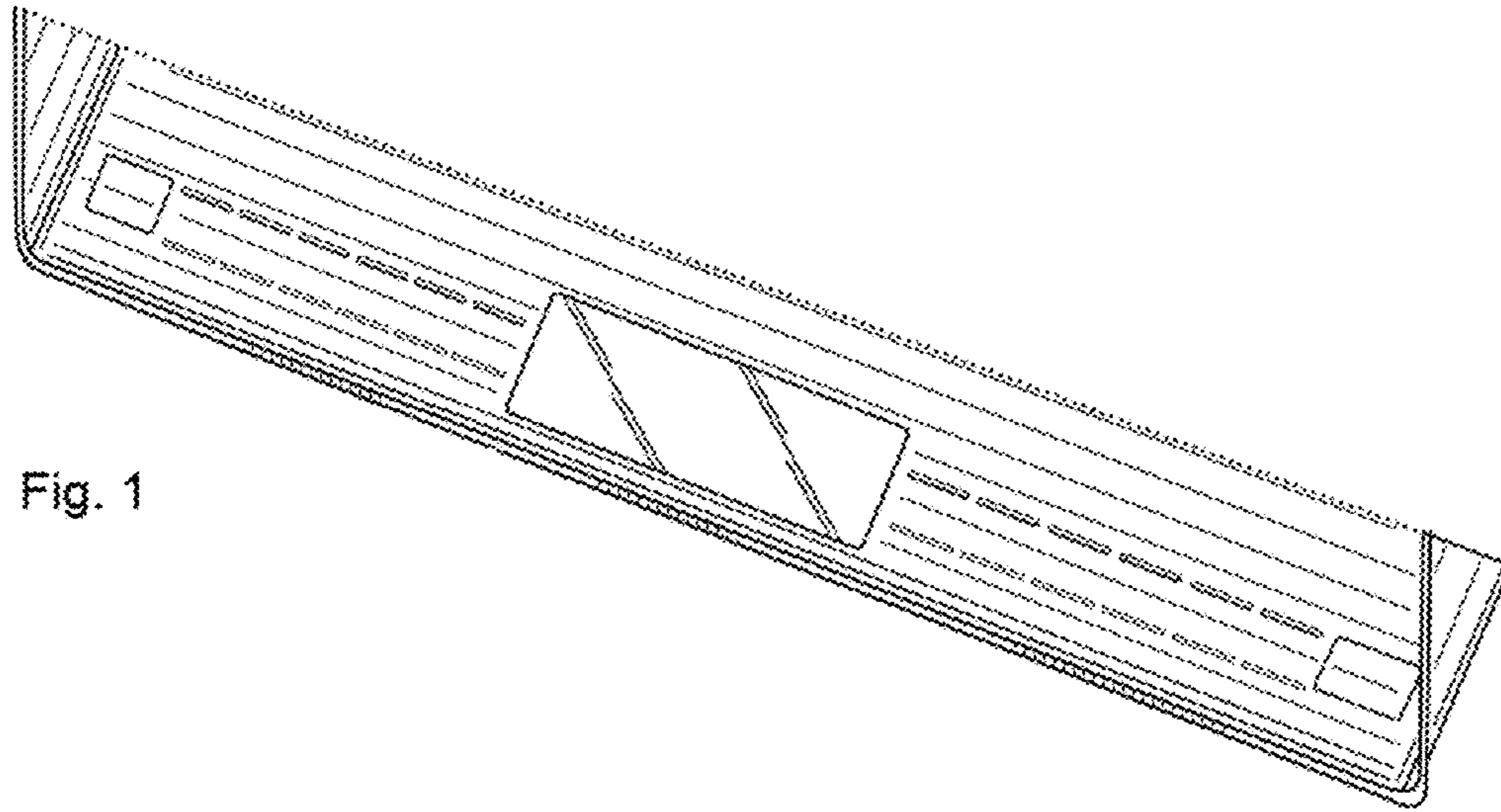


Fig. 1

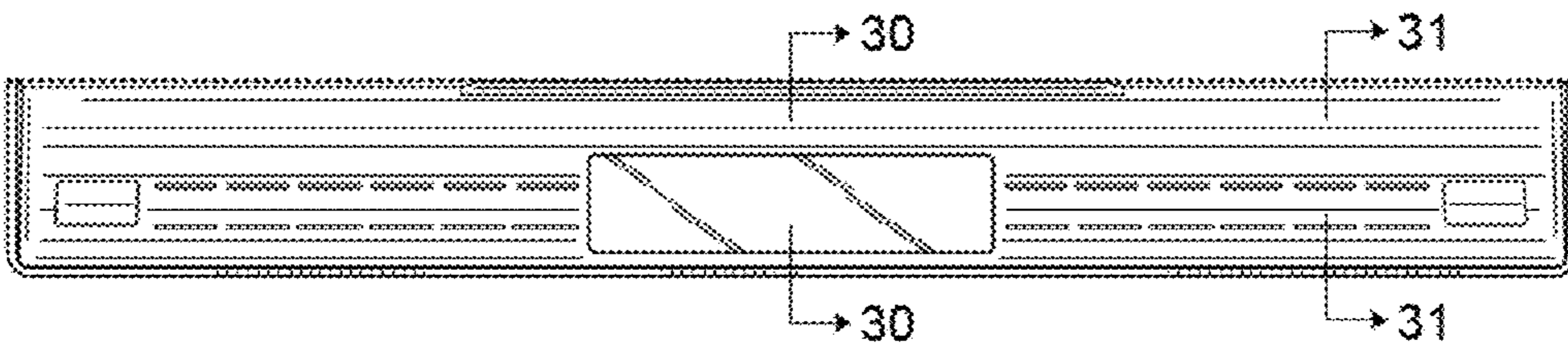


Fig. 2

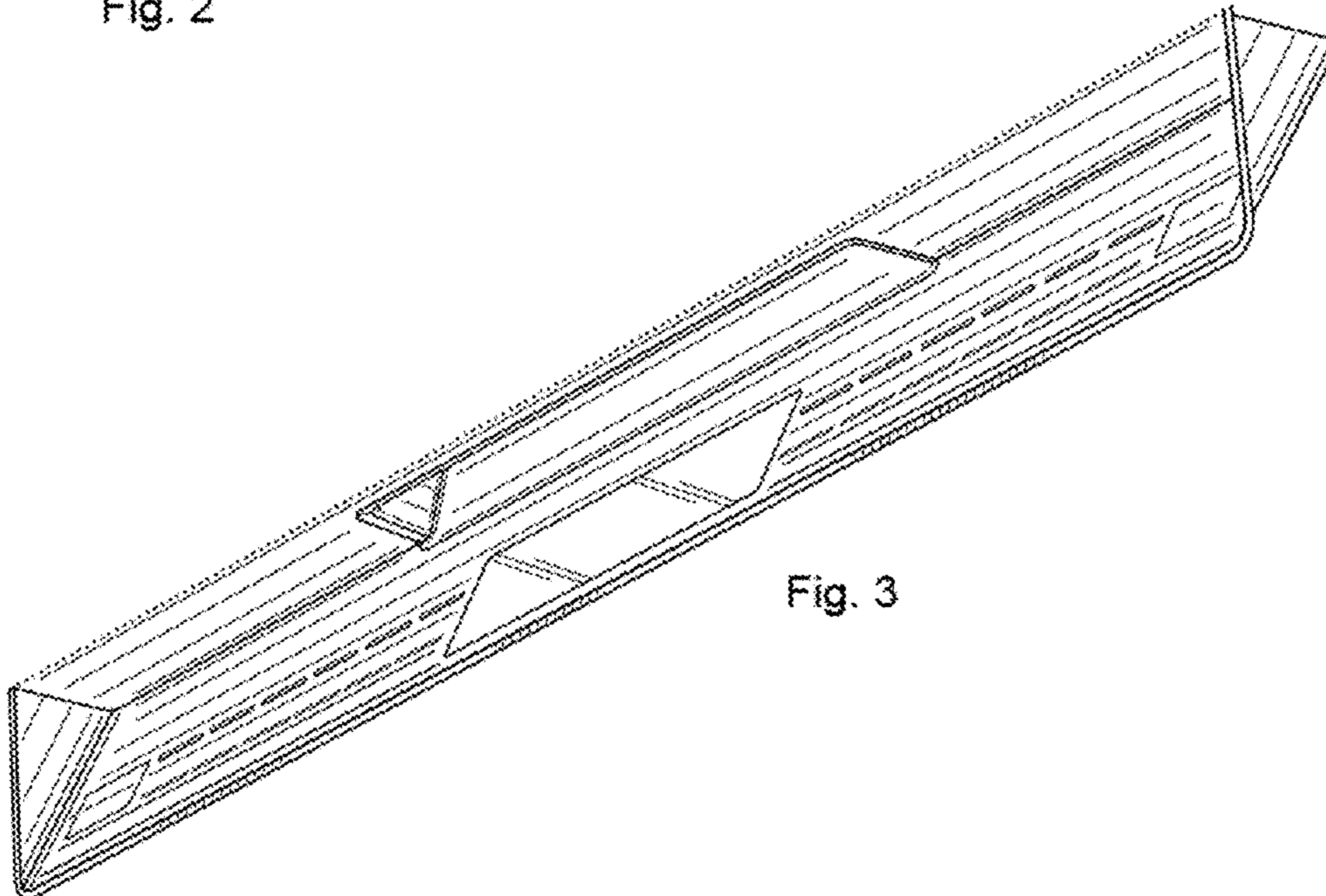


Fig. 3

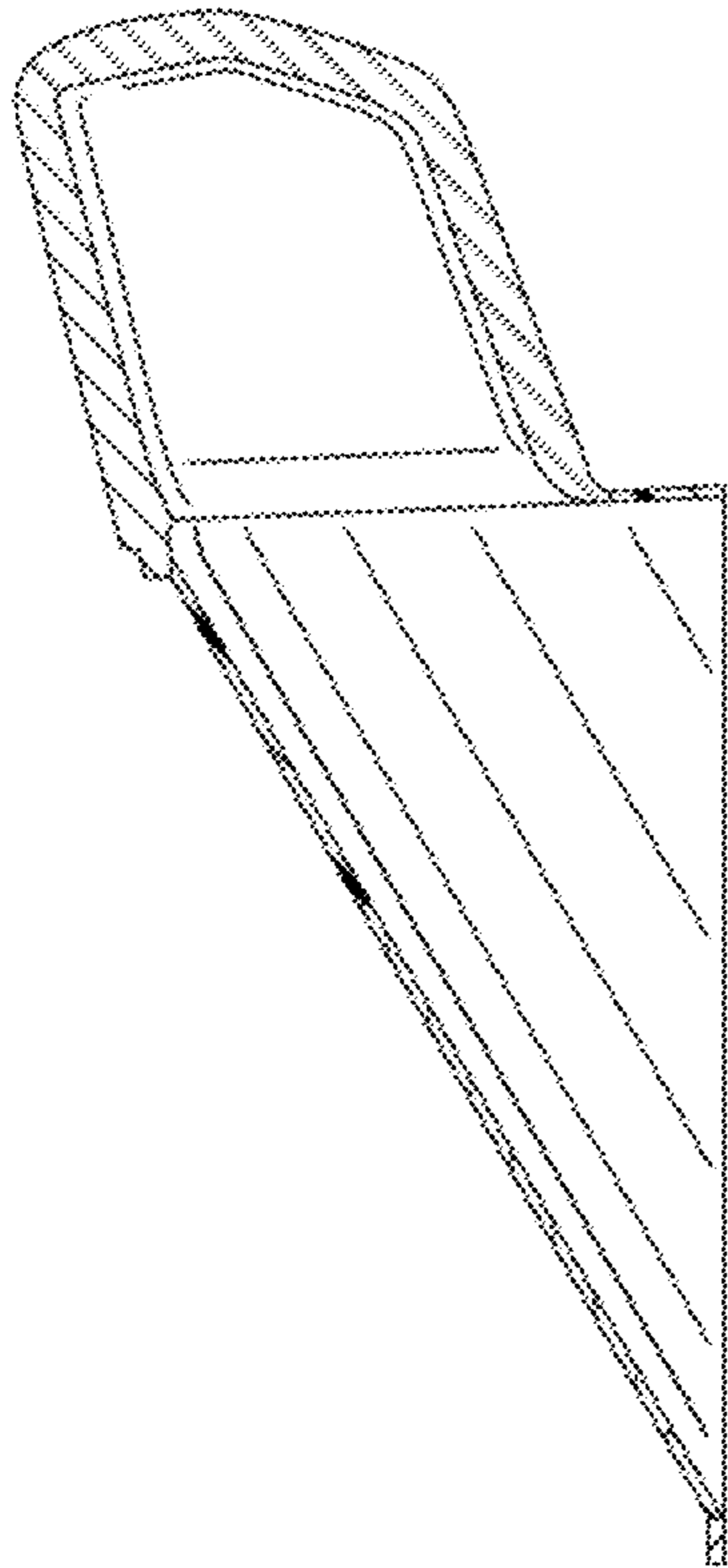


Fig. 4

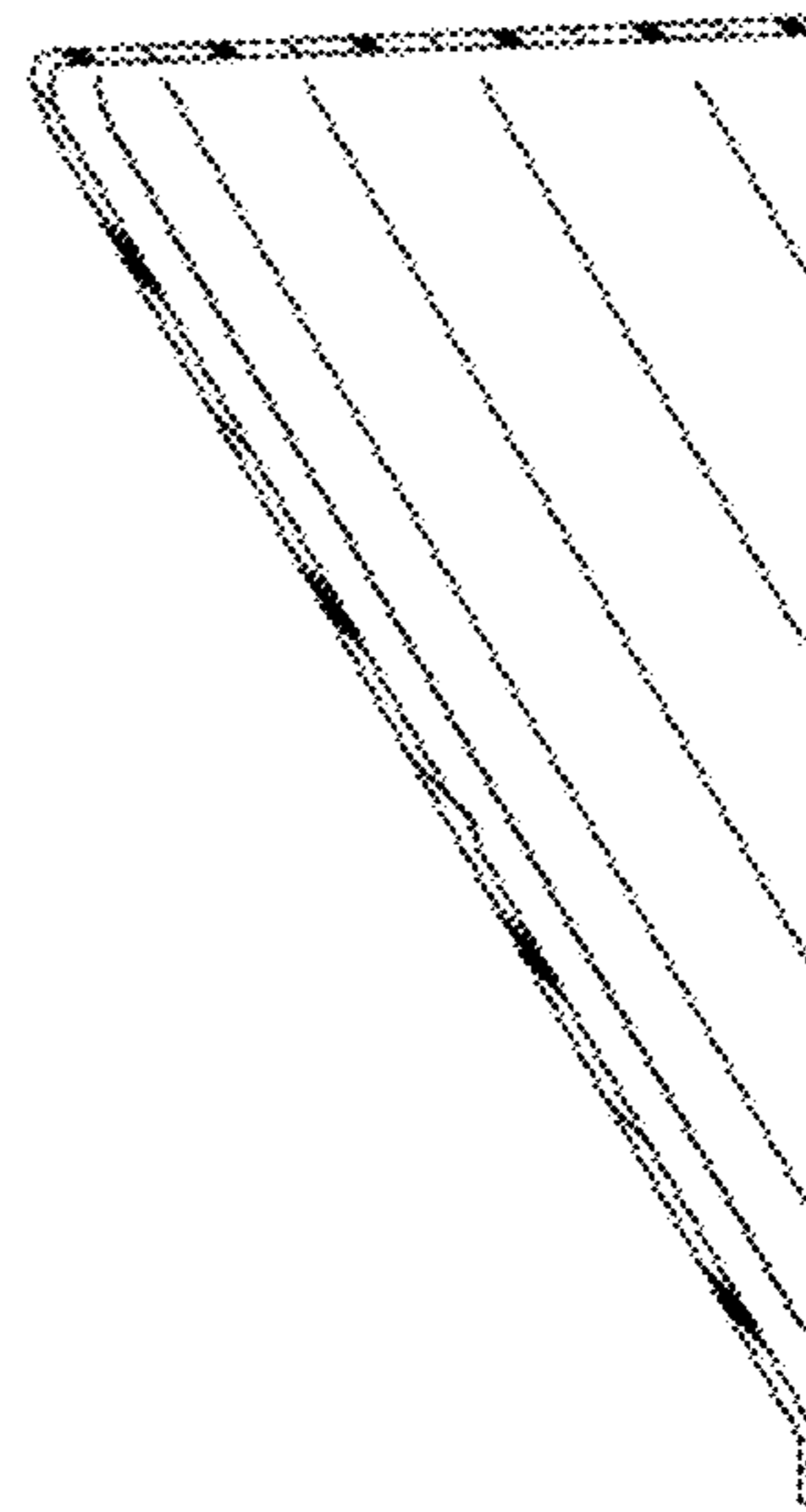


Fig. 5