



US00D748870S

(12) **United States Design Patent**  
**O'Brien et al.**

(10) **Patent No.:** **US D748,870 S**

(45) **Date of Patent:** **\*\* Feb. 2, 2016**

(54) **RETRACTABLE LEASH**

(71) Applicant: **Carolyn O'Brien**, Roswell, GA (US)

(72) Inventors: **Carolyn O'Brien**, Roswell, GA (US);  
**John C. Evans**, Sandy Springs, GA (US)

(73) Assignee: **Carolyn O'Brien**, Roswell, GA (US)

(\*\*) Term: **15 Years**

(21) Appl. No.: **29/527,404**

(22) Filed: **May 19, 2015**

**Related U.S. Application Data**

(60) Division of application No. 29/489,783, filed on May 2, 2014, now Pat. No. Des. 732,753, which is a continuation-in-part of application No. 14/018,138, filed on Sep. 4, 2013, which is a continuation of application No. 13/604,566, filed on Sep. 5, 2012, now Pat. No. 8,683,960.

(51) **LOC (10) Cl.** ..... **30-04**

(52) **U.S. Cl.**  
USPC ..... **D30/153**

(58) **Field of Classification Search**  
USPC ..... D30/144, 151, 152, 153, 199  
CPC ... A01K 27/00; A01K 27/003; A01K 27/004;  
A01K 27/006; A01K 27/008  
See application file for complete search history.

(56) **References Cited**

**U.S. PATENT DOCUMENTS**

3,198,175 A \* 8/1965 Dean ..... A01K 27/004  
119/796  
3,693,596 A \* 9/1972 Croce ..... A01K 27/004  
119/796  
3,853,283 A \* 12/1974 Croce ..... A01K 27/004  
119/796

5,701,981 A \* 12/1997 Marshall ..... H02G 11/02  
191/12.4  
5,762,029 A \* 6/1998 DuBois ..... A01K 27/004  
119/796  
D402,426 S \* 12/1998 Levine ..... 362/109  
6,024,054 A \* 2/2000 Matt ..... A01K 27/004  
119/796  
6,289,849 B1 \* 9/2001 Macedo ..... A01K 27/004  
119/796  
6,792,893 B1 \* 9/2004 Quintero ..... A01K 27/004  
119/794  
7,207,296 B2 \* 4/2007 DiDonato ..... A01K 27/004  
119/794  
7,322,316 B2 \* 1/2008 Blandford ..... A01K 27/003  
119/796

(Continued)

*Primary Examiner* — Martie K Holtje

(74) *Attorney, Agent, or Firm* — Kaplan Intellectual Property Law, LLC

(57) **CLAIM**

The ornamental design for a retractable leash, as shown and described.

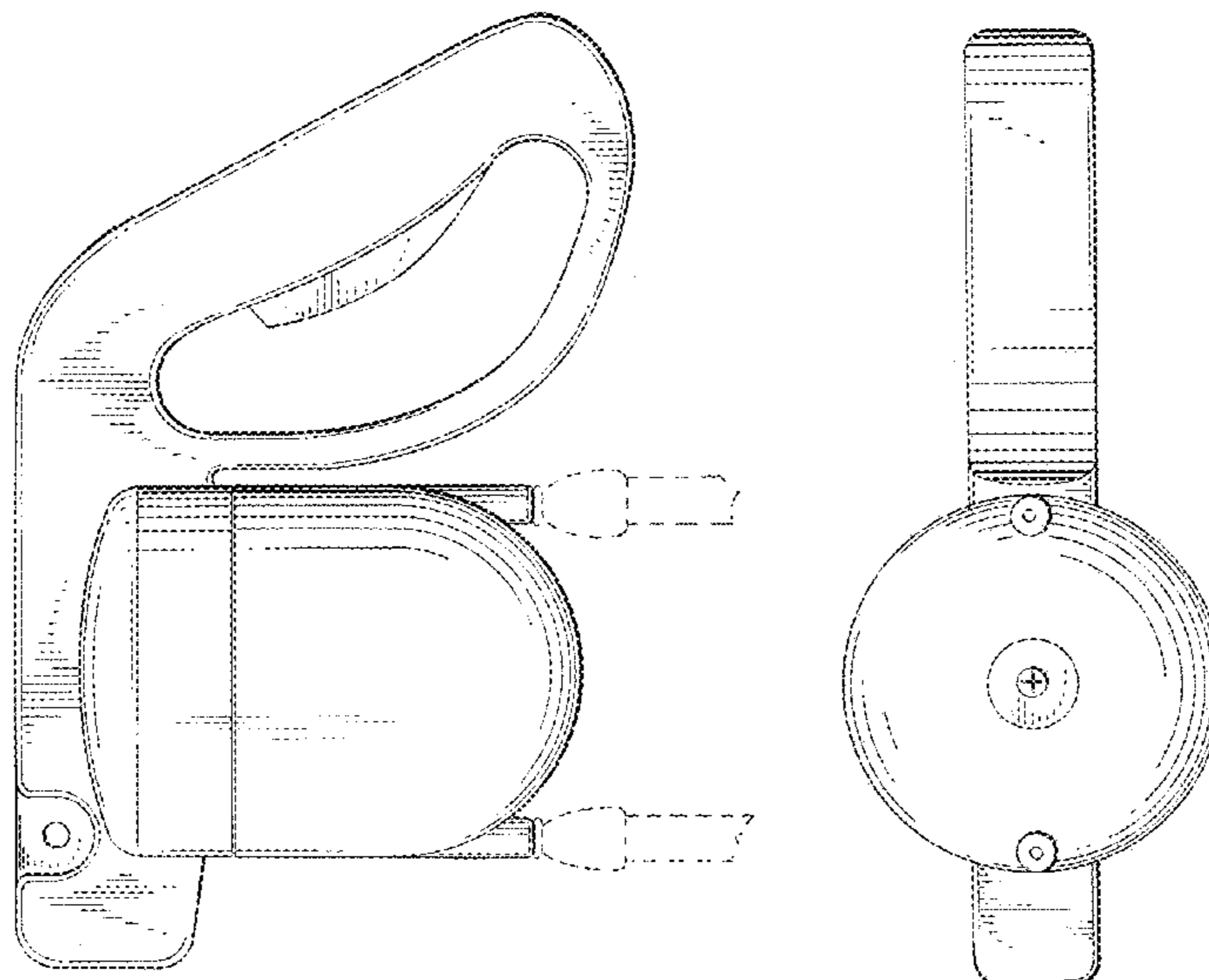
**DESCRIPTION**

FIG. 1 is a side view of a retractable leash showing the claimed design;  
FIG. 2 is a rear view thereof;  
FIG. 3 is a front view thereof;  
FIG. 4 is a top view thereof; and,  
FIG. 5 is a bottom view thereof.

The structural features depicted by broken lines in FIGS. 1, 4, and 5 have been shown for the purpose of illustrating portions of the retractable leash that form no part of the claimed design.

The claimed design of retractable leash preferably may be used for purposes of tethering, controlling, and leading small animals, typically domesticated breeds of dogs, by persons walking them.

**1 Claim, 3 Drawing Sheets**



(56)

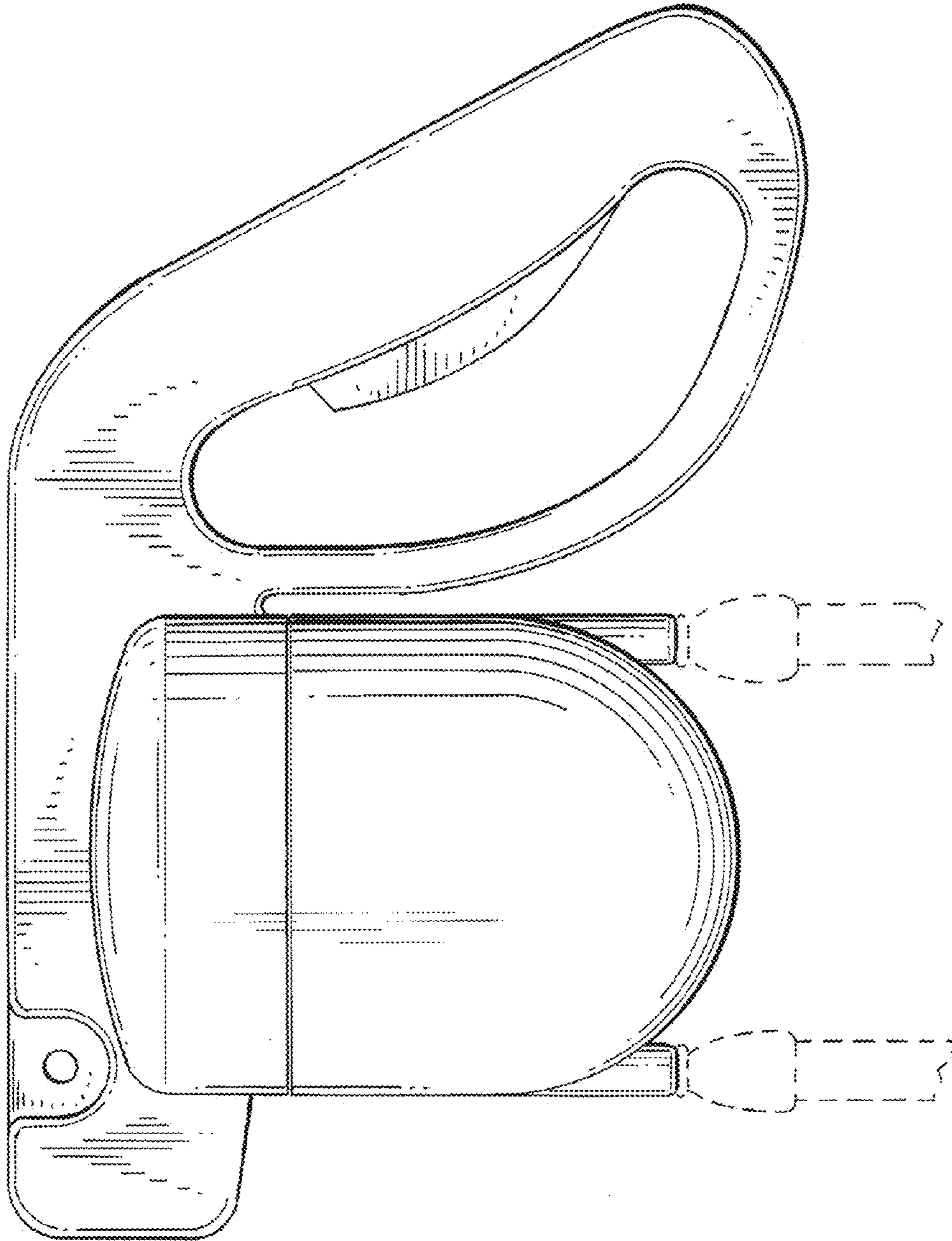
References Cited

U.S. PATENT DOCUMENTS

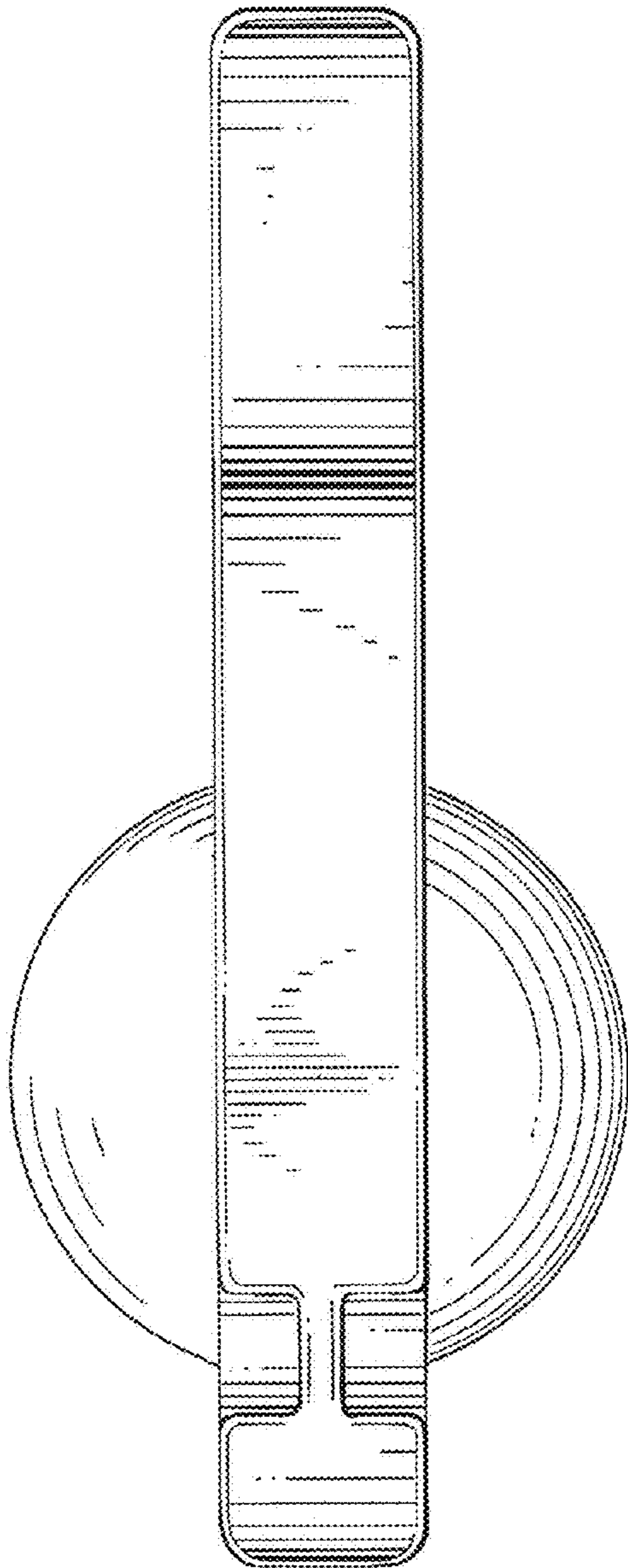
D574,981 S *	8/2008	Mattheis .....	D26/37	D732,753 S *	6/2015	O'Brien .....	D30/153
D595,882 S *	7/2009	Dupps .....	D26/38	2004/0154557 A1 *	8/2004	Meissner .....	A01K 27/004 119/796
7,559,292 B2 *	7/2009	Blandford .....	A01K 27/003 119/796	2005/0103282 A1 *	5/2005	Huff .....	A01K 27/004 119/796
7,762,215 B2 *	7/2010	Horton .....	A01K 27/004 119/796	2005/0263103 A1 *	12/2005	Updyke .....	A01K 27/00 119/796
D635,725 S *	4/2011	Levy .....	D30/153	2006/0144343 A1 *	7/2006	Price .....	A01K 27/004 119/794
7,980,202 B2 *	7/2011	Bentz .....	A01K 27/004 119/796	2006/0162675 A1 *	7/2006	Ghalebi .....	A01K 27/004 119/796
D643,161 S *	8/2011	Leedom .....	D30/153	2006/0185618 A1 *	8/2006	Hetland .....	A01K 27/003 119/795
D650,102 S *	12/2011	Pearson .....	D26/38	2007/0215065 A1 *	9/2007	Furlich .....	A01K 27/003 119/795
D651,366 S *	12/2011	Fisher .....	D30/153	2008/0223308 A1 *	9/2008	Stern .....	A01K 27/006 119/720
8,151,735 B1 *	4/2012	McCrocklin .....	A01K 27/003 119/796	2009/0120376 A1 *	5/2009	Foster .....	A01K 27/003 119/795
8,256,385 B2 *	9/2012	Goldenberg .....	A01K 27/004 119/796	2011/0067649 A1 *	3/2011	O'Brien .....	A01K 27/004 119/796
8,393,302 B1 *	3/2013	Blakemore .....	A01K 27/003 119/796	2011/0197820 A1 *	8/2011	Goldy .....	A01K 27/006 119/61.5
8,418,659 B2 *	4/2013	Harruna .....	A01K 27/004 119/796	2014/0238314 A1 *	8/2014	O'Brien .....	A01K 27/004 119/796
8,683,960 B2 *	4/2014	O'Brien .....	A01K 27/004 119/796				

\* cited by examiner

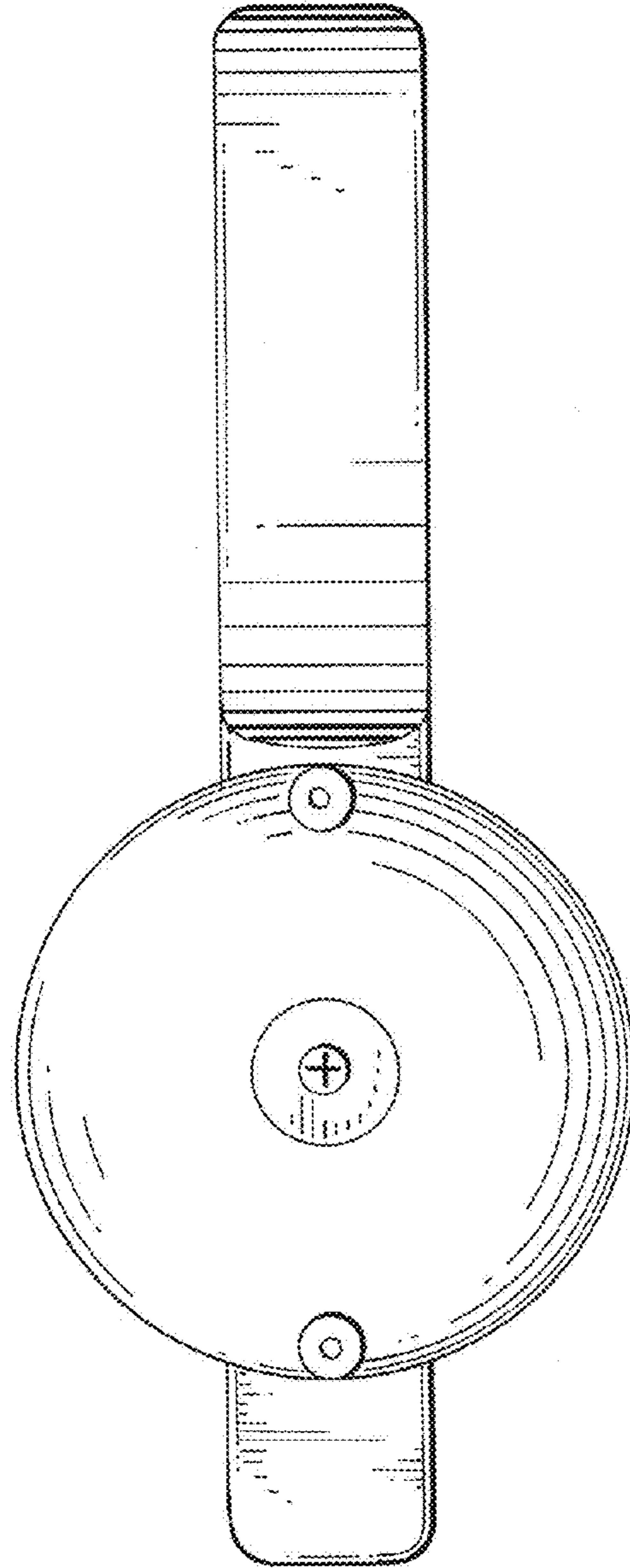
*Fig. 1*



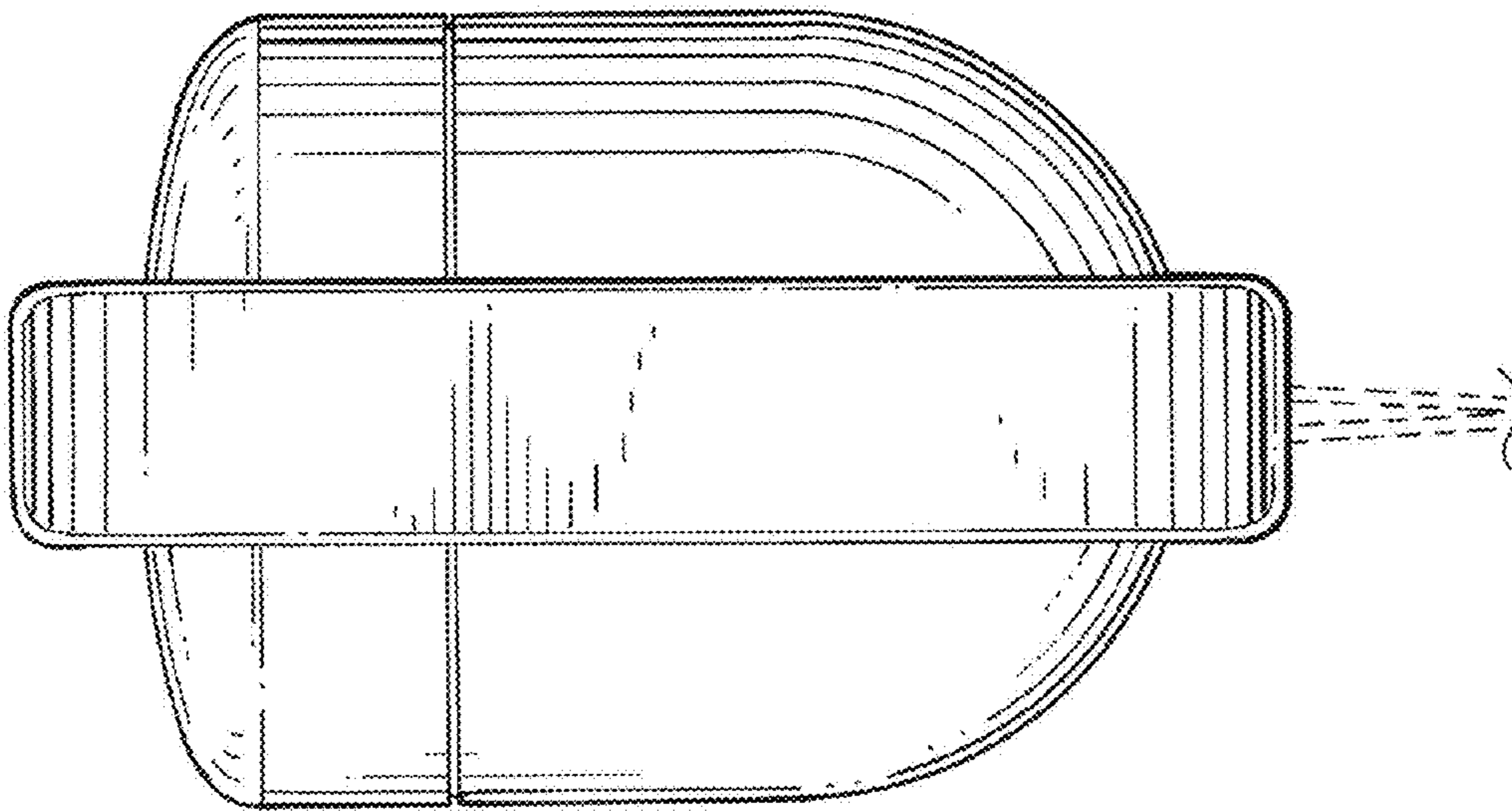
*Fig. 2*



*Fig. 3*



*Fig. 4*



*Fig. 5*

