



US00D748869S

(12) **United States Design Patent**  
**Rutherford et al.**

(10) **Patent No.:** **US D748,869 S**  
(45) **Date of Patent:** **\*\* Feb. 2, 2016**

- (54) **AQUARIUM COVERING**
- (71) Applicants: **Richard Rutherford**, Fleming Island, FL (US); **Judy Rutherford**, Fleming Island, FL (US)
- (72) Inventors: **Richard Rutherford**, Fleming Island, FL (US); **Judy Rutherford**, Fleming Island, FL (US)
- (\*\*) Term: **14 Years**
- (21) Appl. No.: **29/493,226**
- (22) Filed: **Jun. 6, 2014**
- (51) **LOC (10) Cl.** ..... **30-02**
- (52) **U.S. Cl.**  
USPC ..... **D30/107**
- (58) **Field of Classification Search**  
USPC ..... D30/101–107, 110–111, 108, 112;  
D11/145; D21/483; D25/17; 119/459,  
119/482, 487, 253, 245, 265–266, 233  
CPC ..... A01K 63/006; A01K 63/003  
See application file for complete search history.

- D210,601 S 3/1968 Blackwell
- 3,786,781 A \* 1/1974 Poulsen ..... A01K 63/006  
119/246
- 4,078,522 A 3/1978 Akers
- 4,086,876 A \* 5/1978 Moore ..... A01K 63/003  
119/246
- D249,283 S 9/1978 Conte
- D251,744 S \* 5/1979 Akers ..... D30/107
- 2009/0293814 A1 \* 12/2009 Rutherford, Jr. .... A01K 63/006  
119/253
- 2010/0300369 A1 \* 12/2010 Fang ..... A01K 63/006  
119/253

\* cited by examiner

*Primary Examiner* — Wan Laymon

(74) *Attorney, Agent, or Firm* — Lawrence J. Gibney, Jr.

(57) **CLAIM**

The ornamental design for an aquarium covering, as shown and described.

**DESCRIPTION**

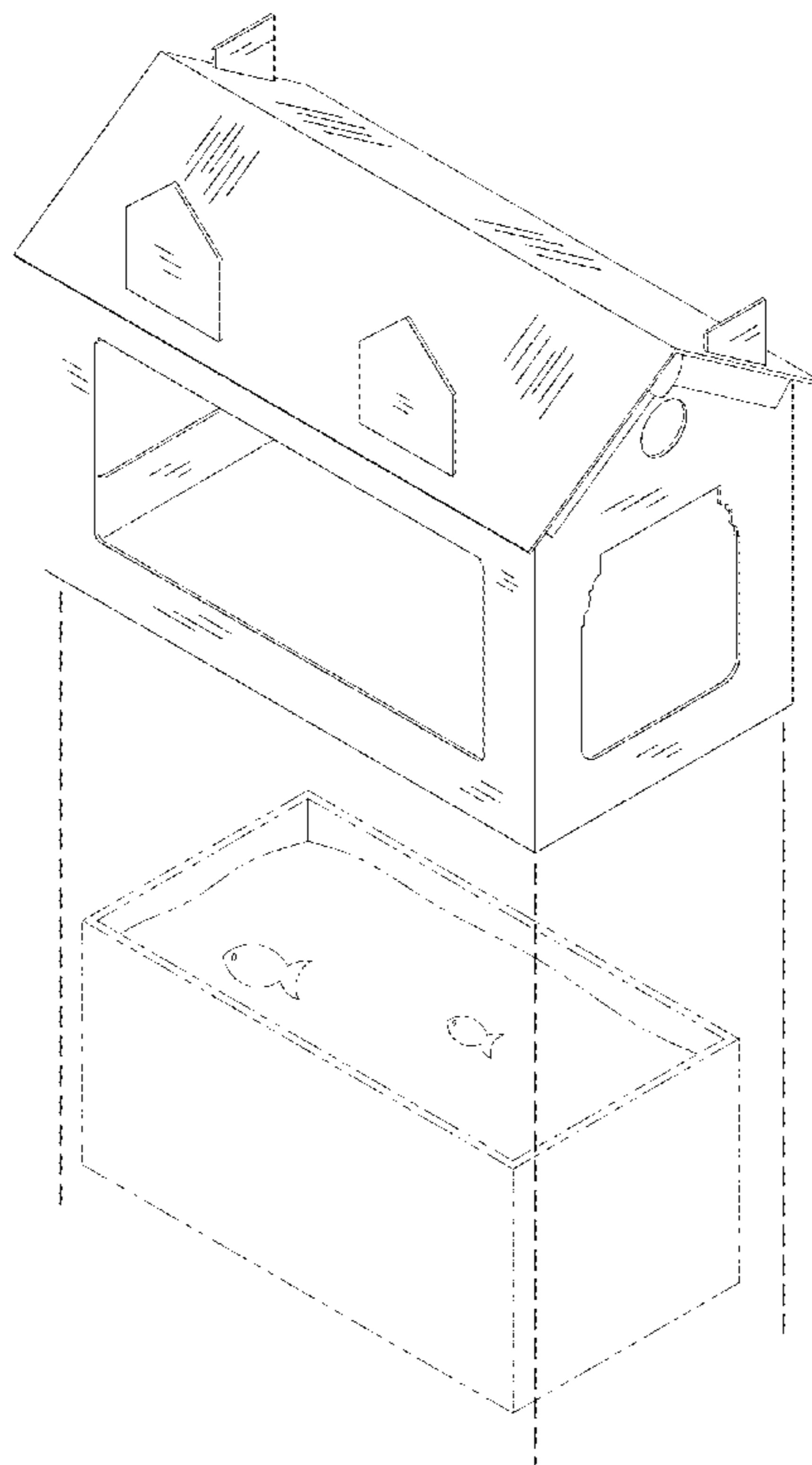
FIG. 1 is a front elevational view of an aquarium covering showing my new design;  
 FIG. 2 is a back elevational view thereof;  
 FIG. 3 is a right elevational view thereof;  
 FIG. 4 is a bottom elevational view thereof;  
 FIG. 5 is a top elevational view thereof; and,  
 FIG. 6 is an exploded isometric elevational view thereof.  
 The even spaced broken lines and dash-dot-dot-dash broken lines in FIG. 6 are included for the purpose of illustrating portions of the aquarium covering and form no part of the claimed design.

(56) **References Cited**

U.S. PATENT DOCUMENTS

- 3,018,758 A 4/1958 Arnould
- 3,066,645 A 5/1960 Mulder
- 3,095,853 A \* 7/1963 Stont ..... A01K 63/003  
119/266
- D207,897 S 6/1967 Liberto

**1 Claim, 6 Drawing Sheets**



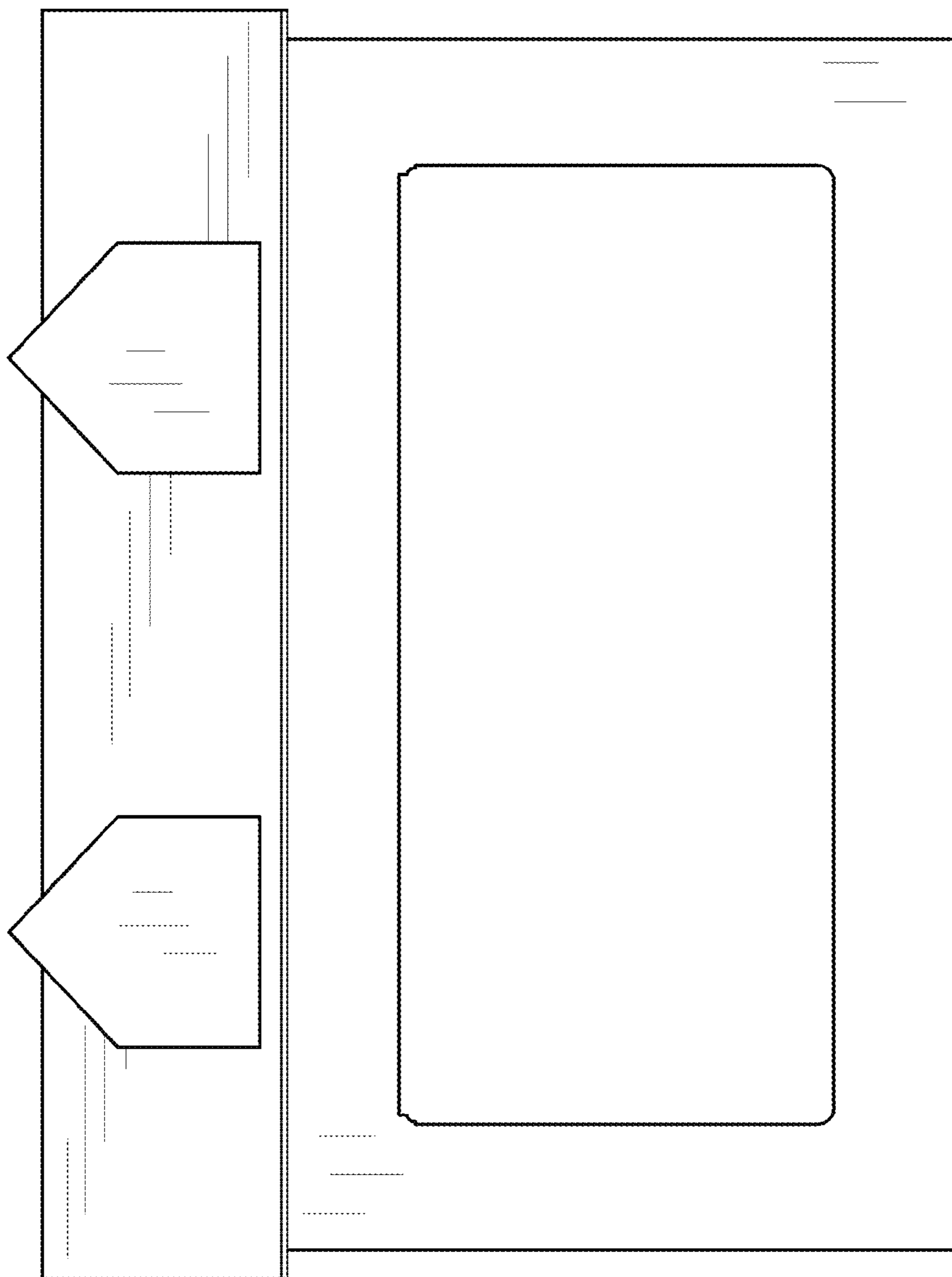


FIG. 1

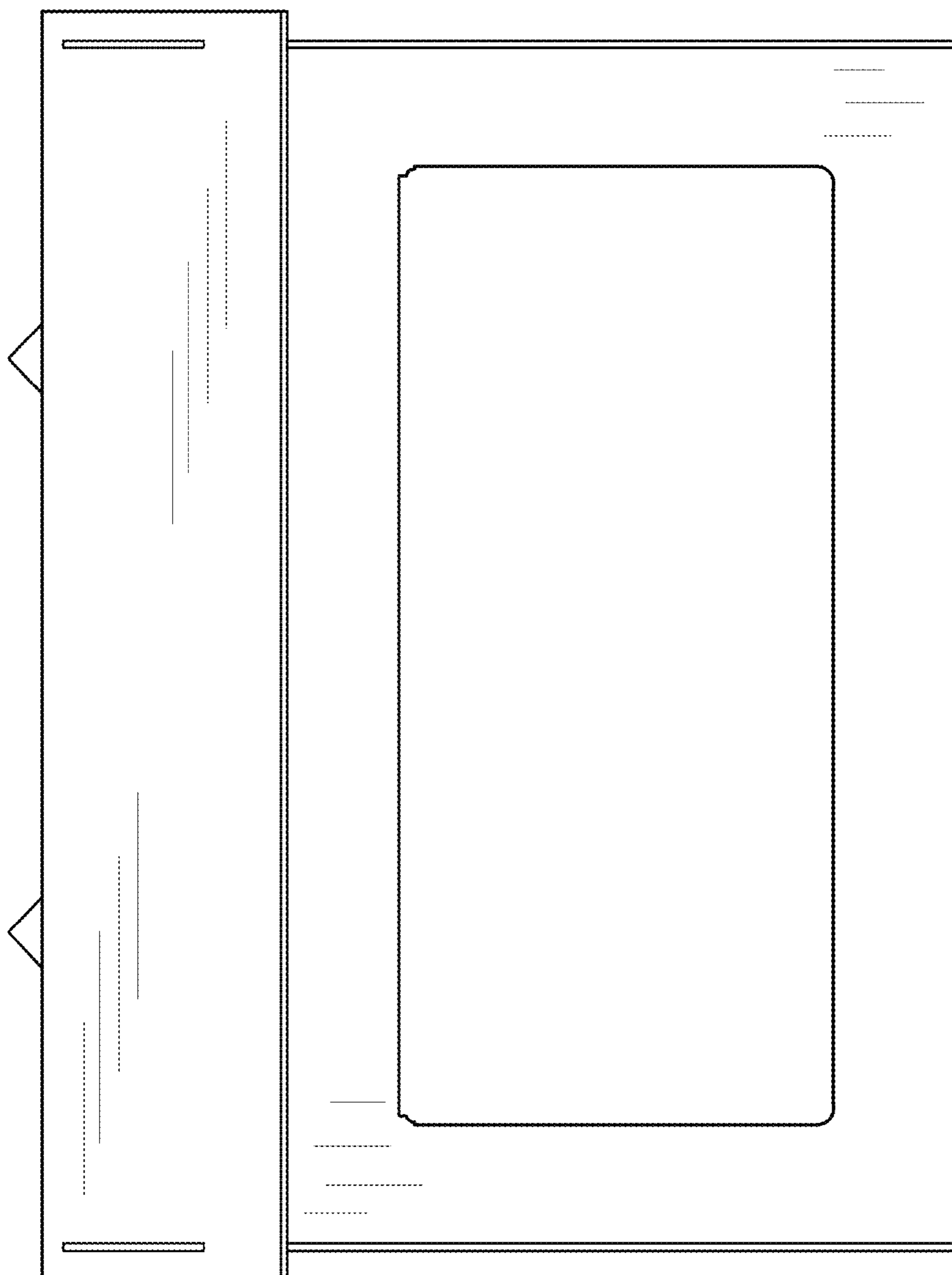


FIG. 2

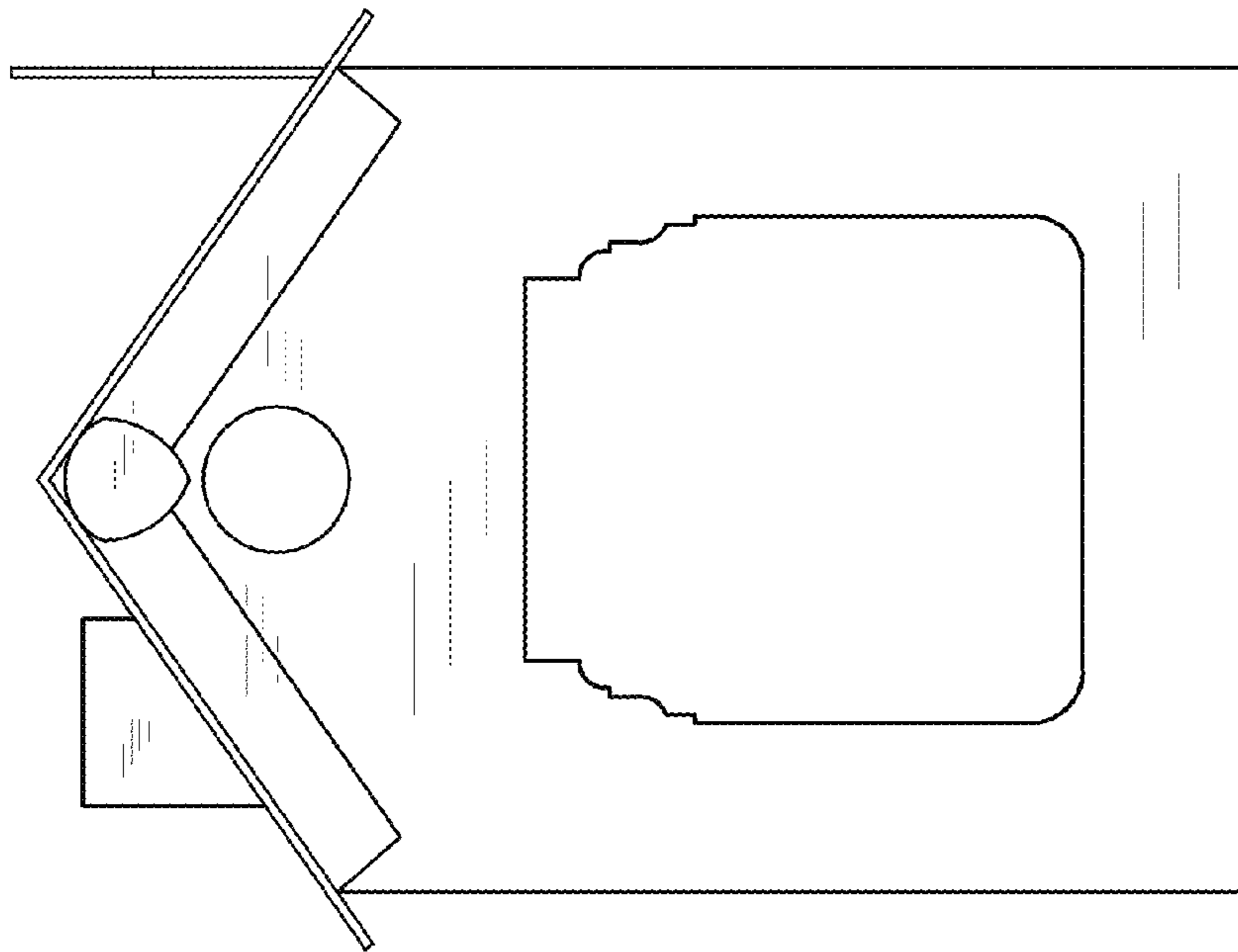


FIG. 3

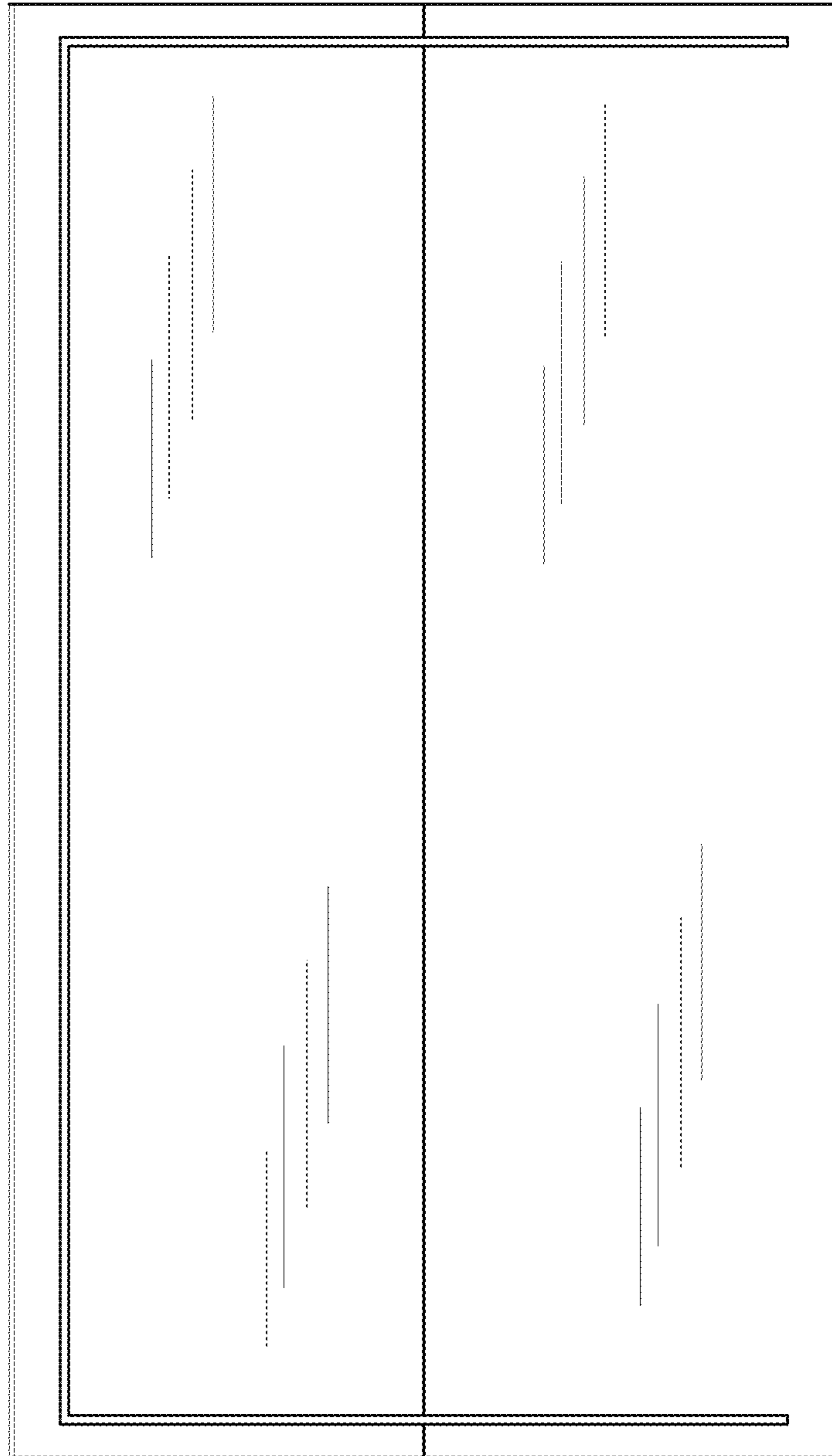


FIG. 4

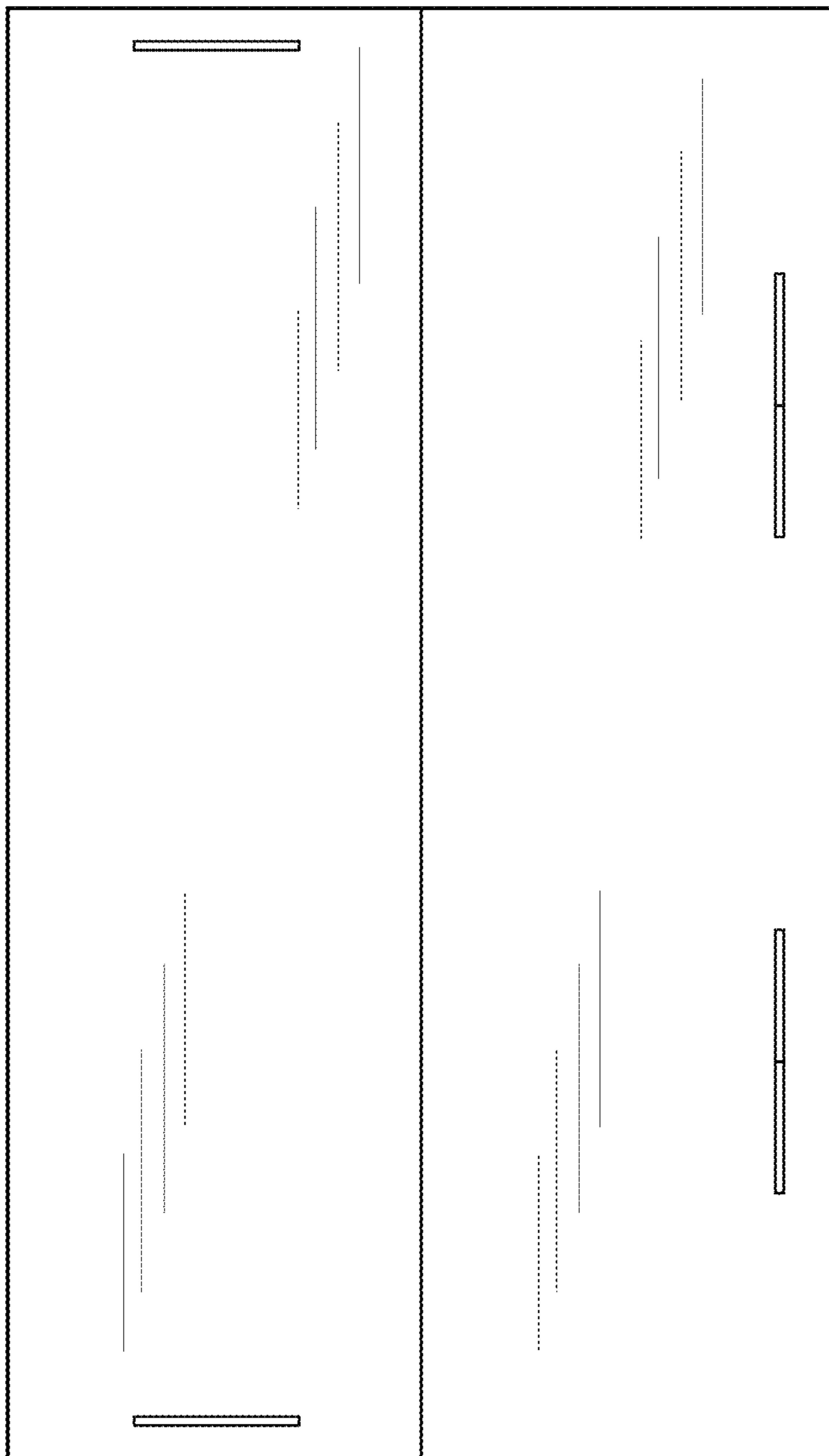


FIG. 5

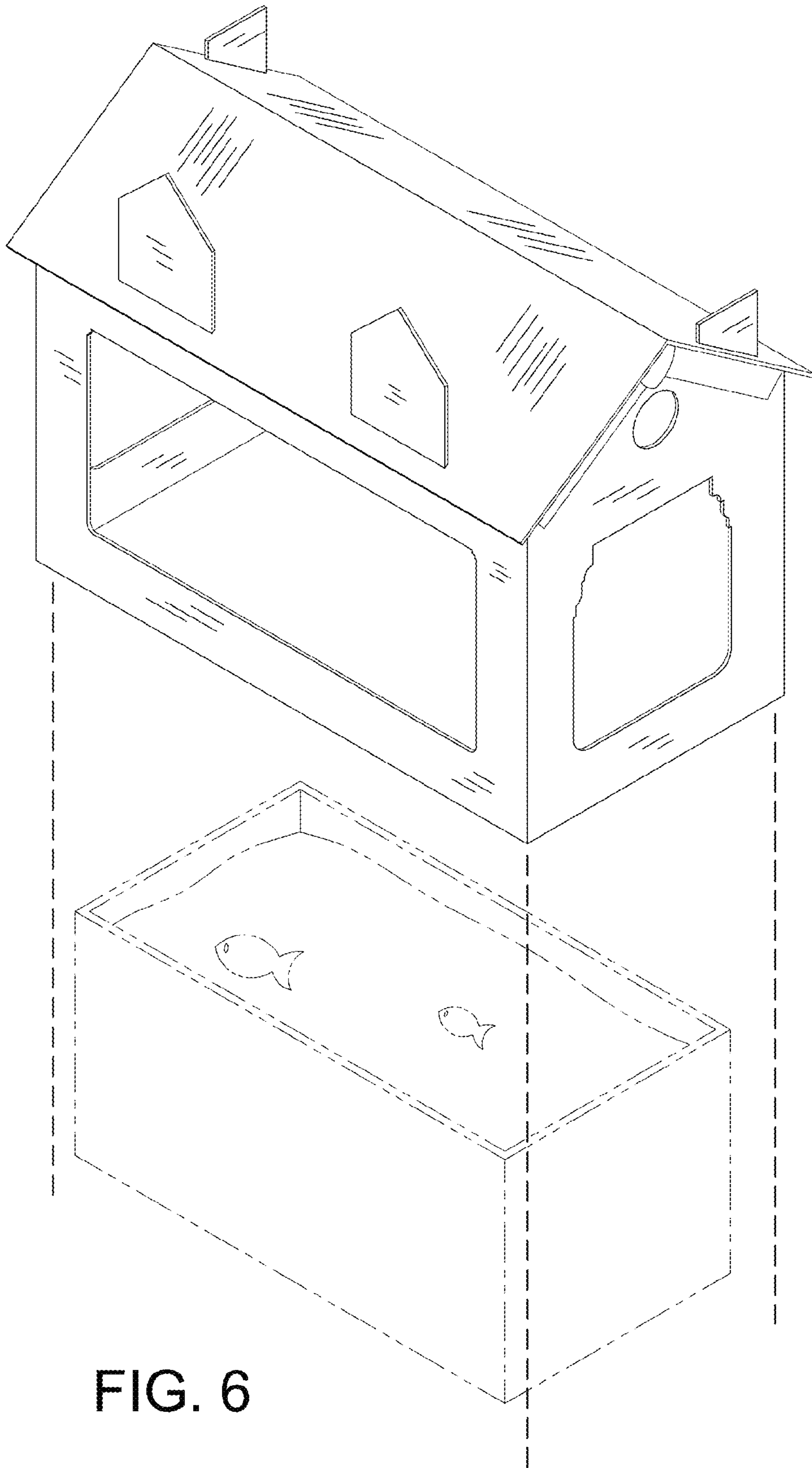


FIG. 6