



US00D748862S

(12) **United States Design Patent**  
**Aulwes et al.**

(10) **Patent No.:** **US D748,862 S**  
(45) **Date of Patent:** **\*\* Feb. 2, 2016**

(54) **HAIR CLIPPER ATTACHMENT COMB WITH CLIP**

(71) Applicant: **WAHL CLIPPER CORPORATION**,  
Sterling, IL (US)

(72) Inventors: **Chad Aulwes**, Sterling, IL (US); **James E. McCambridge**, Lake Panasoffkee, FL (US); **George W. Gassman**, Dunlap, IL (US); **Matthew Whittaker**, Rock Falls, IL (US); **Raegan Budden**, Polo, IL (US)

(73) Assignee: **Wahl Clipper Corporation**, Sterling, IL (US)

(\*\*) Term: **14 Years**

(21) Appl. No.: **29/484,797**

(22) Filed: **Mar. 13, 2014**

(51) **LOC (10) Cl.** ..... **03-01**

(52) **U.S. Cl.**  
USPC ..... **D28/54**

(58) **Field of Classification Search**  
USPC ..... D28/49-54, 44-48; 30/34.05, 32, 34.1, 30/34.2, 43-43.92, 29.5, 526-527, 44-45, 30/341, 272.1, 226-227, 231, 233-233.5, 30/537  
CPC B26B 19/20; B26B 19/3813; B26B 19/3826; A45D 24/36  
See application file for complete search history.

(56) **References Cited**

**U.S. PATENT DOCUMENTS**

5,937,526	A *	8/1999	Wahl et al.	.....	30/201
6,079,103	A	6/2000	Melton et al.		
D559,456	S *	1/2008	Melton et al.	.....	D28/54
D565,793	S *	4/2008	Wallace	.....	D28/54
7,918,029	B2	4/2011	Melton et al.		
8,850,707	B2 *	10/2014	Maichel et al.	.....	30/34.1
2003/0051346	A1 *	3/2003	McCambridge et al.	.....	30/122

2008/0072437	A1 *	3/2008	Michel	.....	30/201
2009/0019706	A1 *	1/2009	Werner et al.	.....	30/233.5
2009/0113722	A1 *	5/2009	Werner et al.	.....	30/200
2011/0016723	A1 *	1/2011	Maichel et al.	.....	30/45
2011/0146084	A1 *	6/2011	Melton et al.	.....	30/233.5
2012/0216411	A1 *	8/2012	Wevers et al.	.....	30/123
2014/0215832	A1 *	8/2014	Julemont	.....	30/200
2014/0331504	A1 *	11/2014	Michel	.....	30/233.5

\* cited by examiner

*Primary Examiner* — Jennifer Rivard

(74) *Attorney, Agent, or Firm* — Greer, Burns & Crain, Ltd.

(57) **CLAIM**

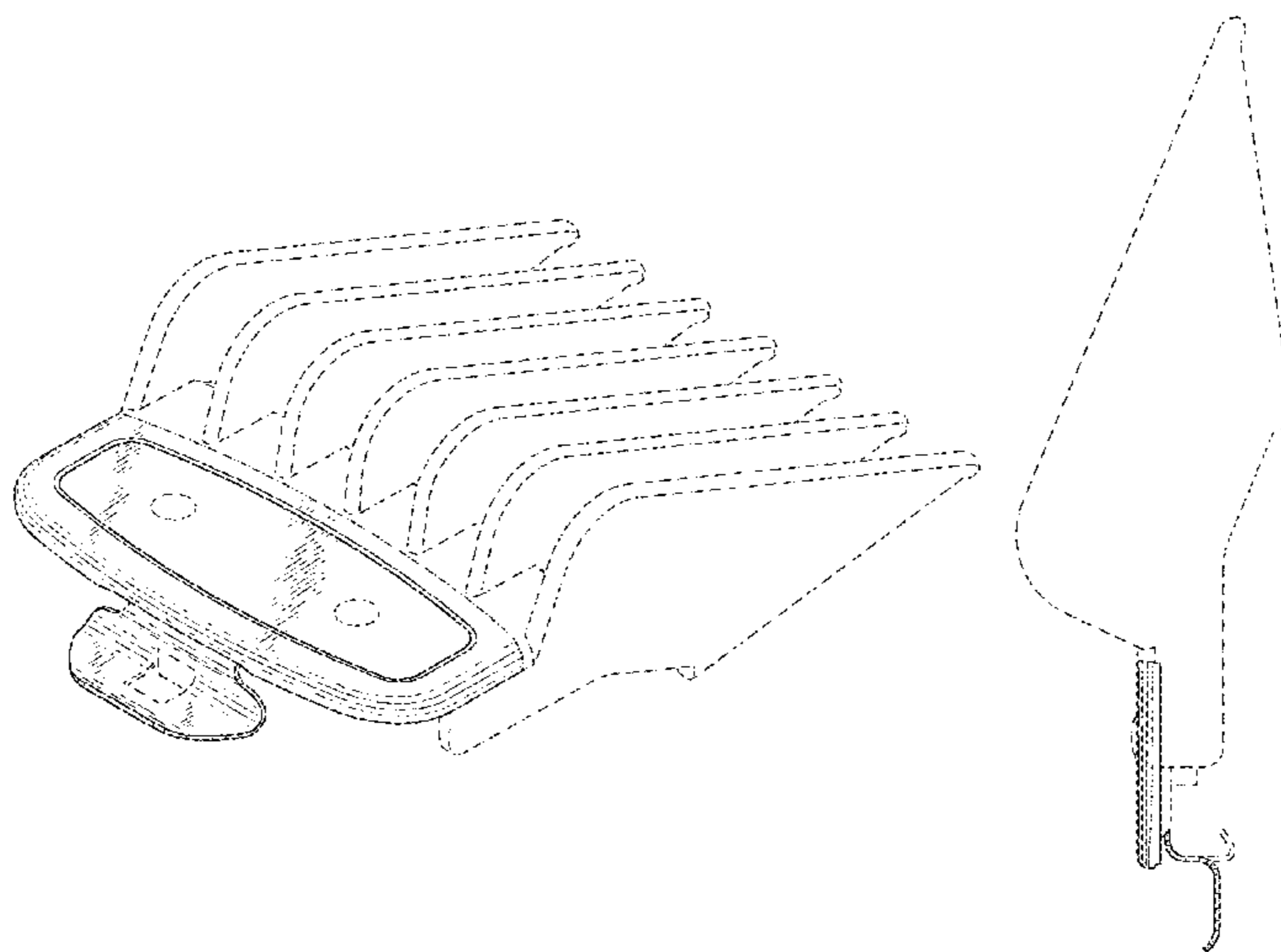
The ornamental design for the hair clipper attachment comb with clip, as shown and described.

**DESCRIPTION**

FIG. 1 is a top perspective view of the present attachment comb;  
FIG. 2 is a top view of same;  
FIG. 3 is a side view of the present attachment comb, both sides being mirror images of each other;  
FIG. 4 is a bottom view of same;  
FIG. 5 is a front view of the attachment comb of FIG. 1; and  
FIG. 6 is a rear view of same;  
FIG. 7 is a top perspective view of a second embodiment of the present attachment comb;  
FIG. 8 is a top view of same;  
FIG. 9 is a side view of the attachment comb of FIG. 7, both sides being mirror images of each other;  
FIG. 10 is a bottom view of same;  
FIG. 11 is a front view of the attachment comb of FIG. 7; and  
FIG. 12 is a rear view of same.

The equal length broken lines illustrate portions of the hair attachment comb with clip. The dash-dot-dash broken lines illustrate the boundary between claimed and unclaimed subject matter. None of the broken lines forms part of the claimed design.

**1 Claim, 6 Drawing Sheets**



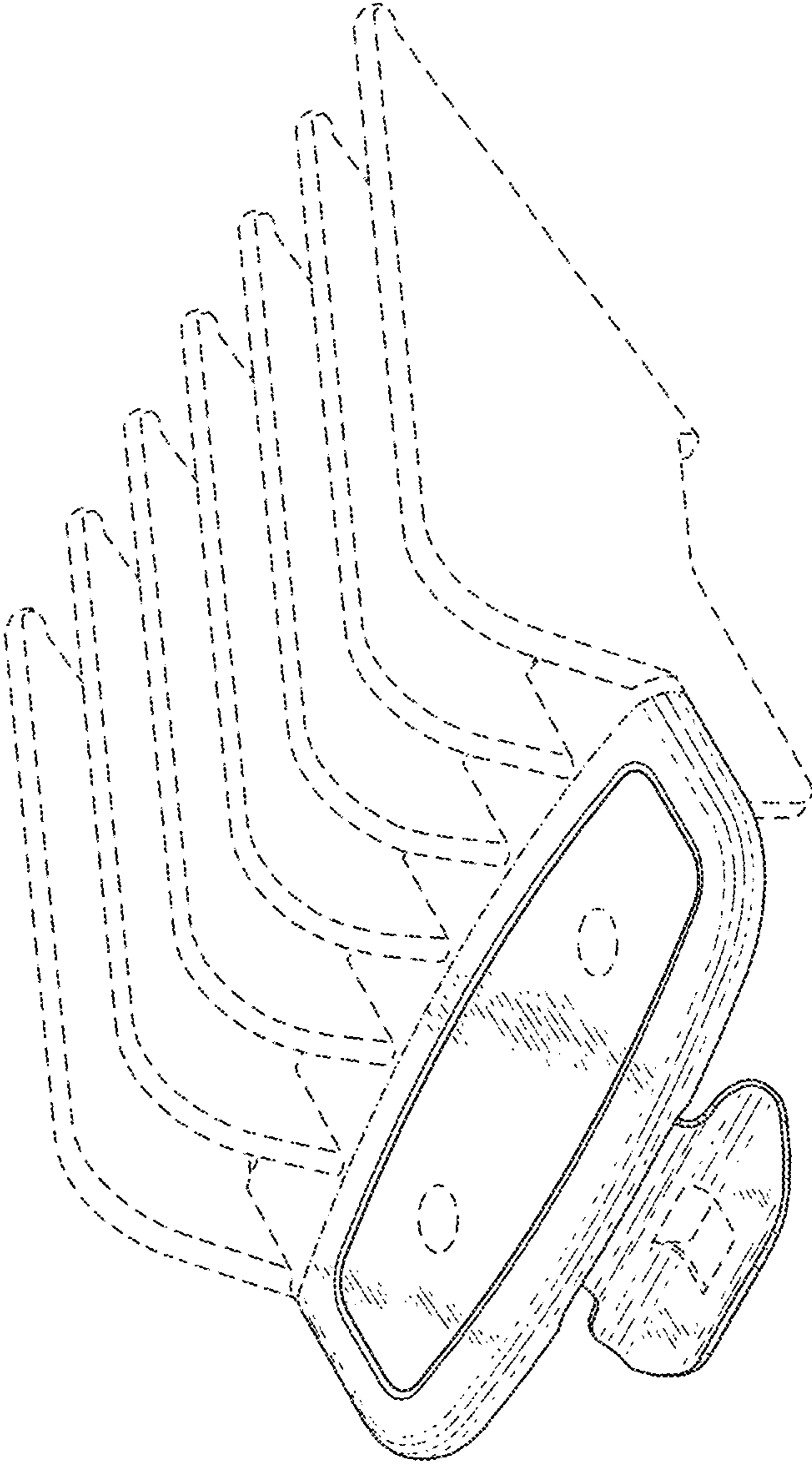
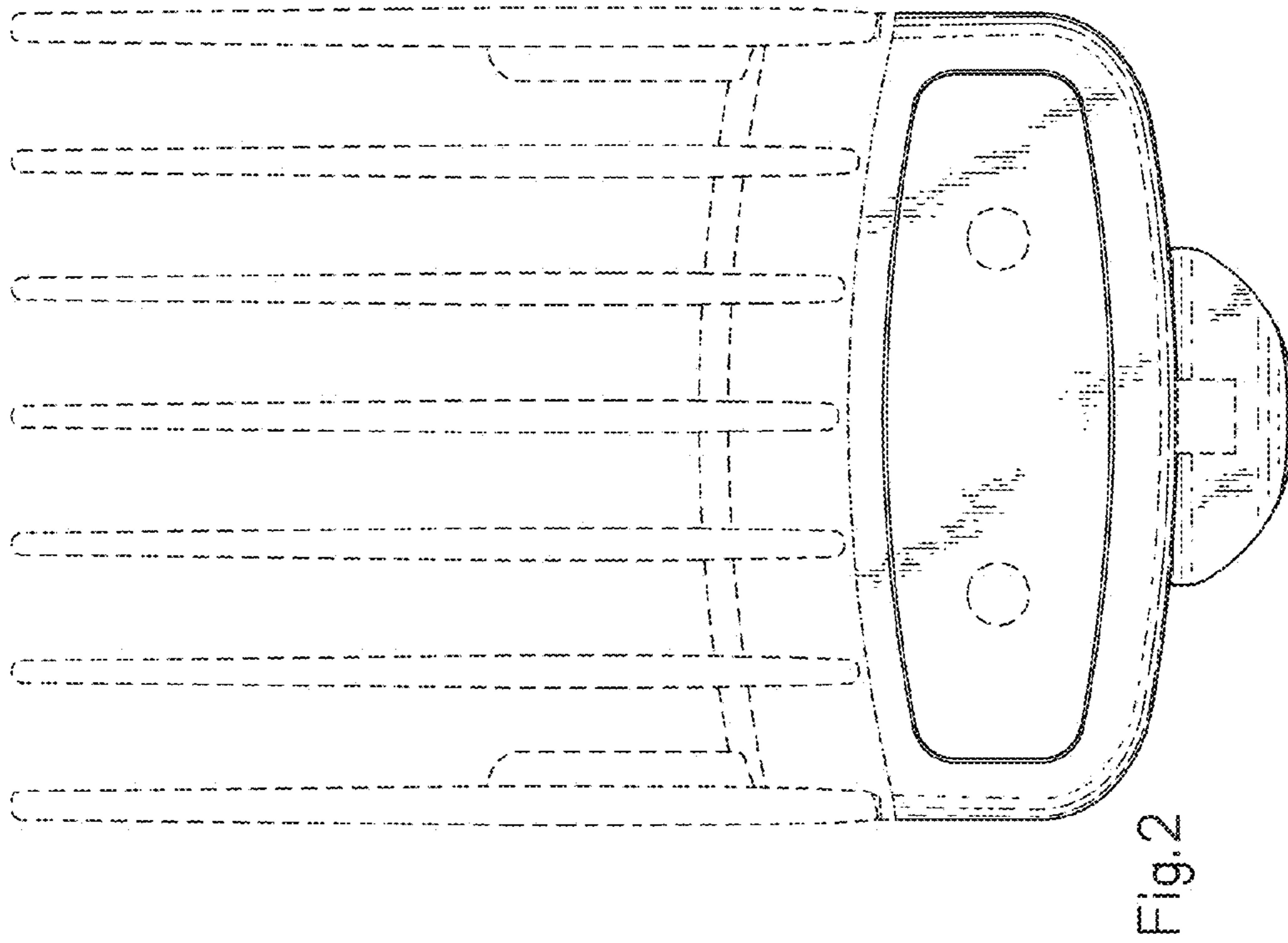
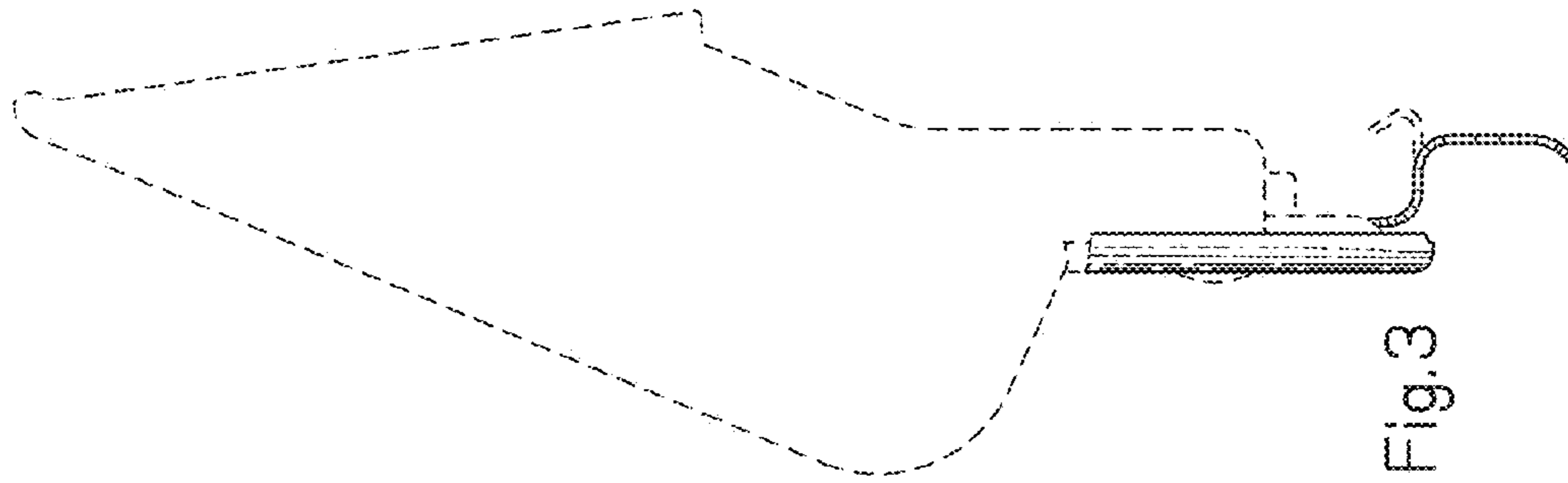


Fig. 1



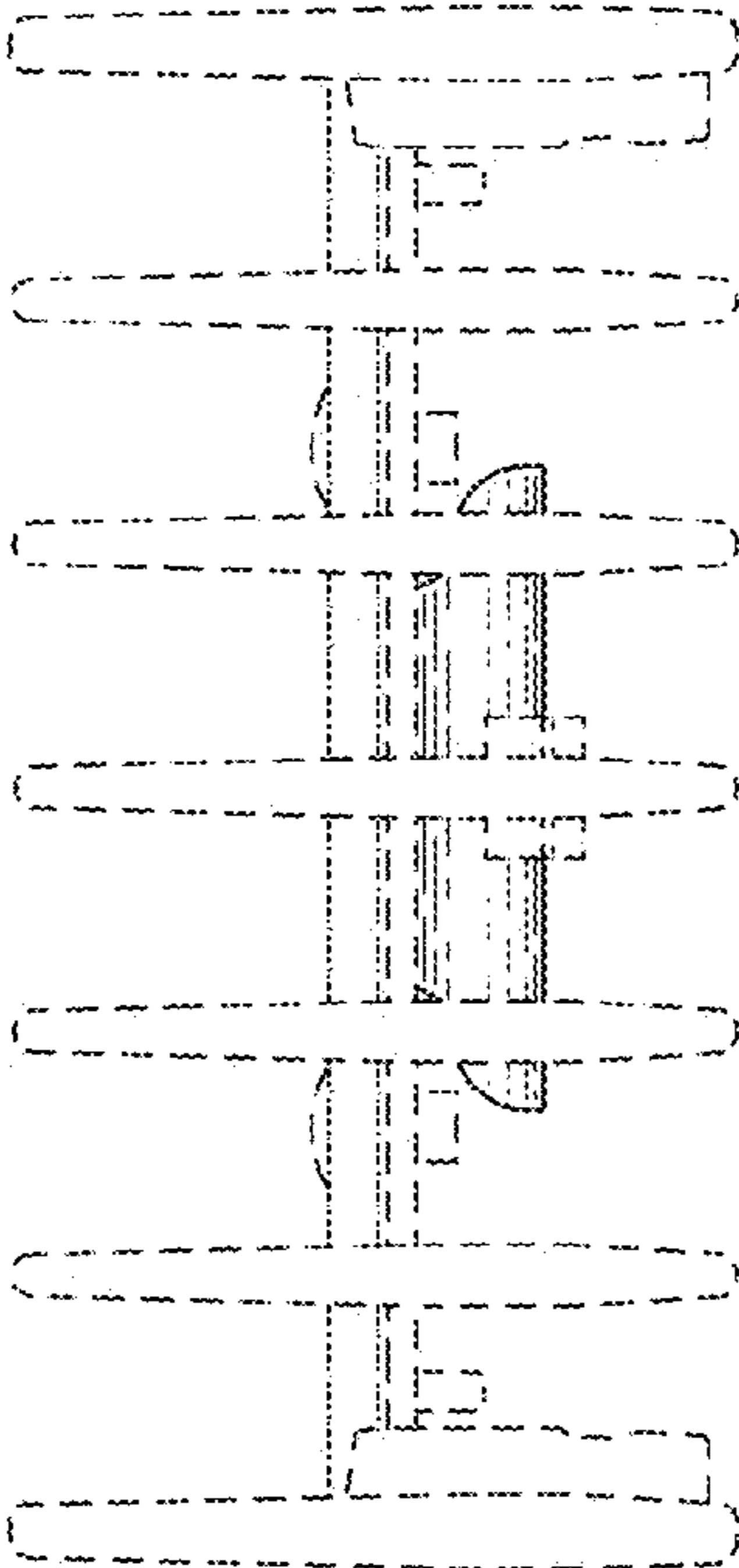


Fig. 5

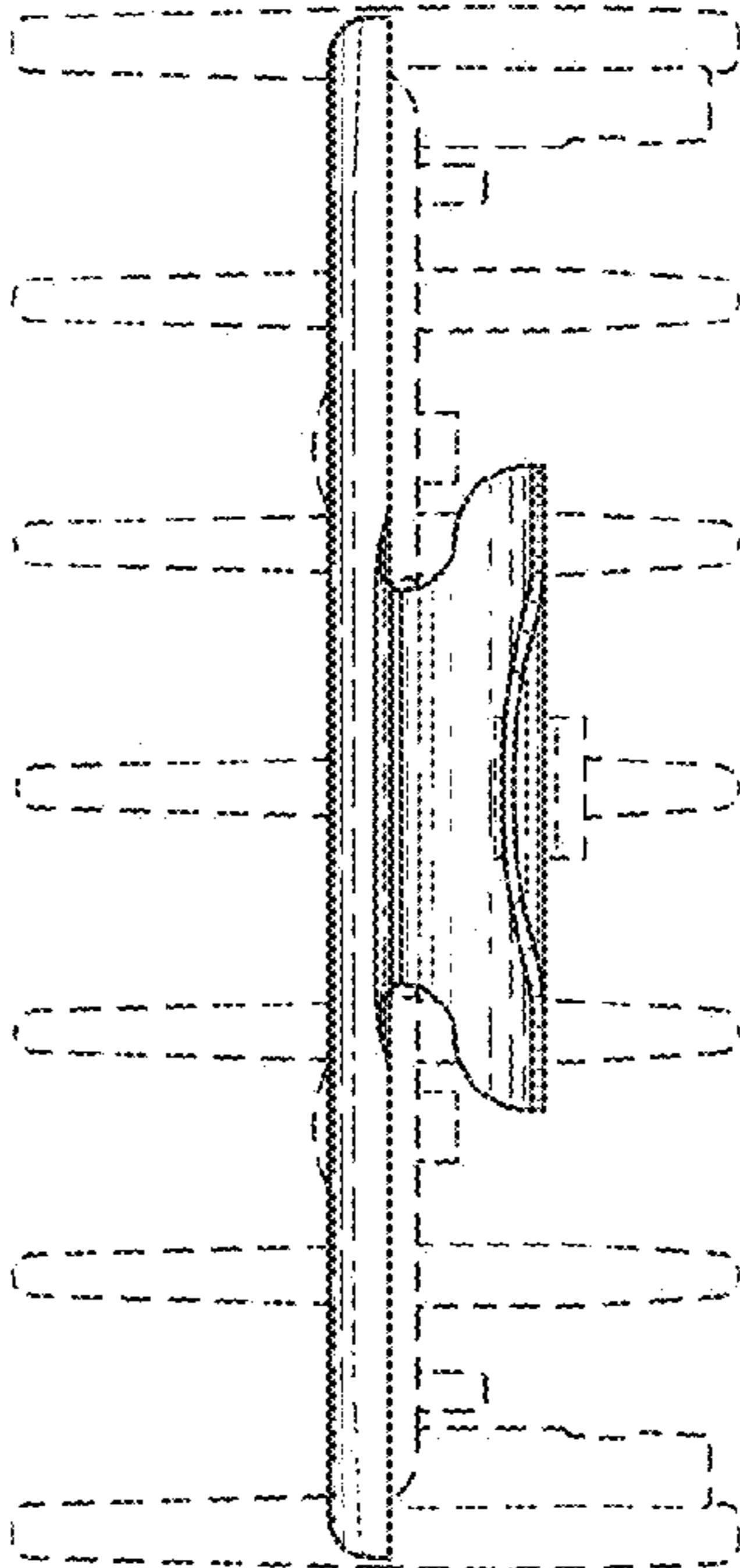


Fig. 6

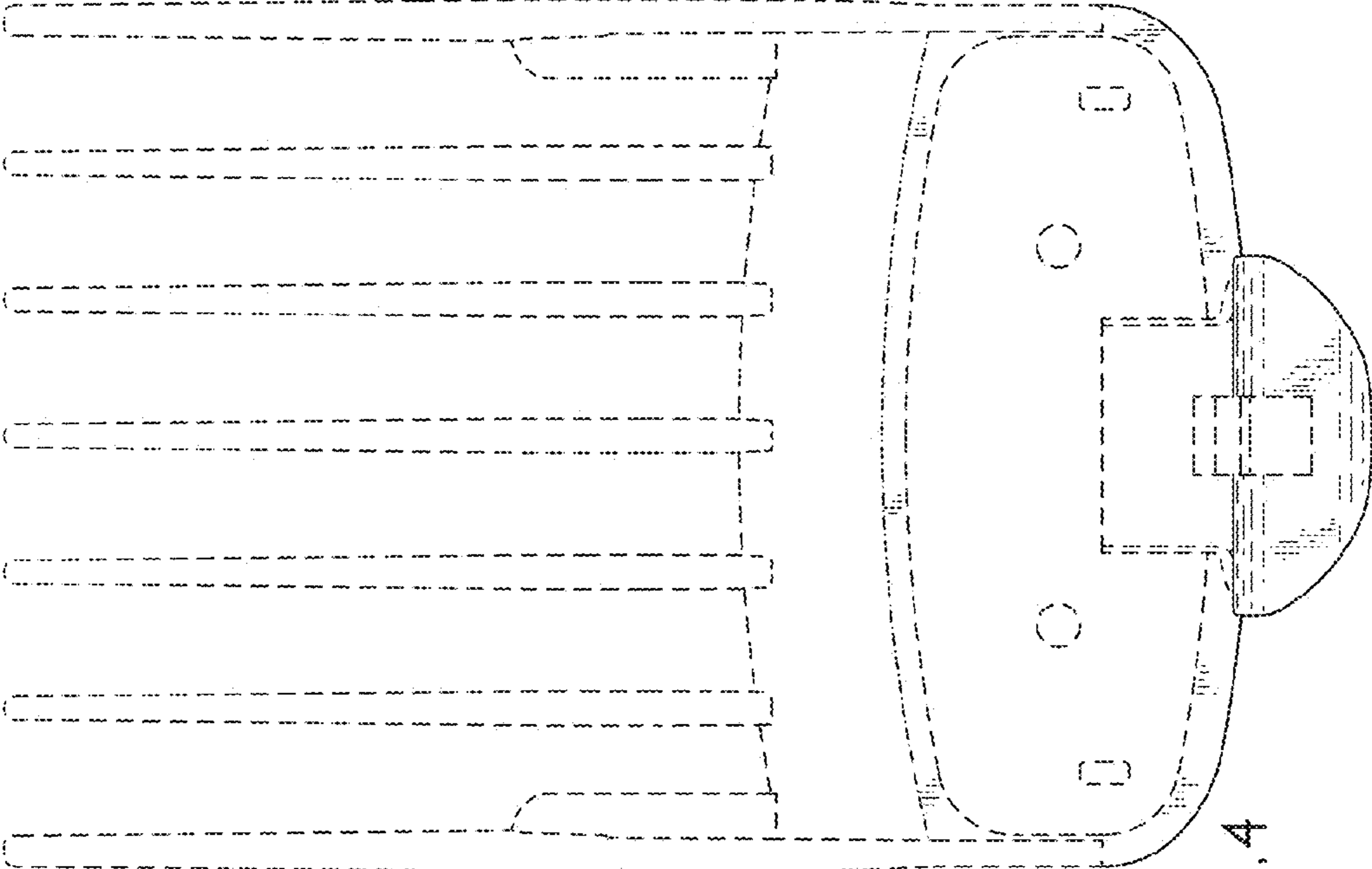


Fig. 4

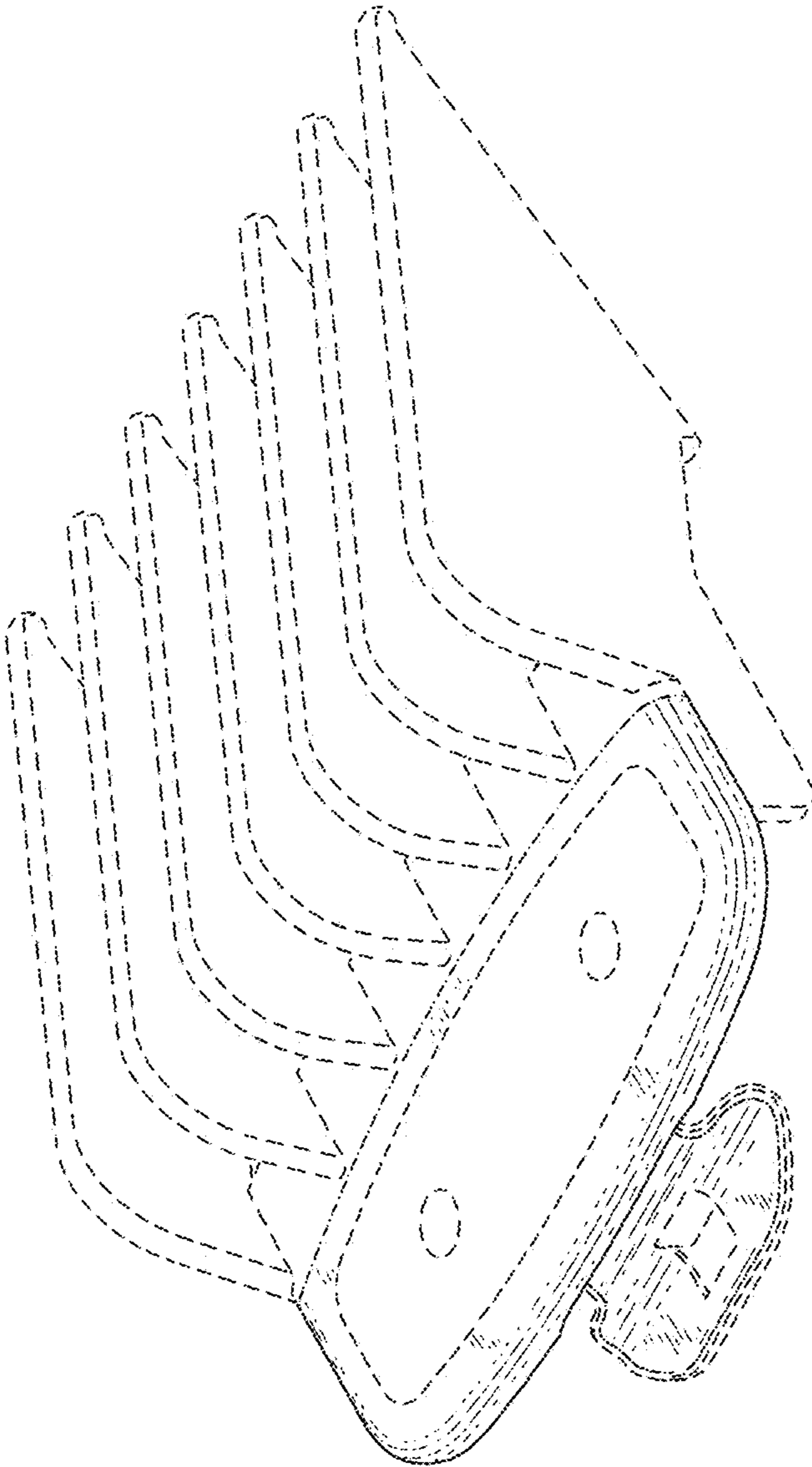


Fig. 7

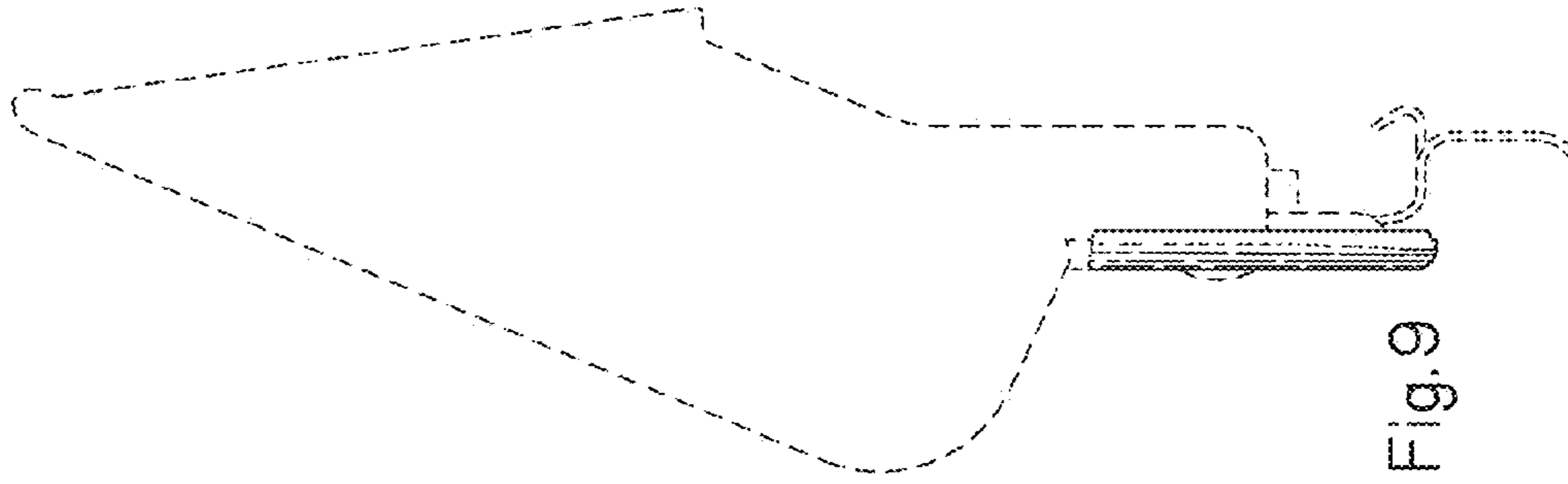


Fig. 9

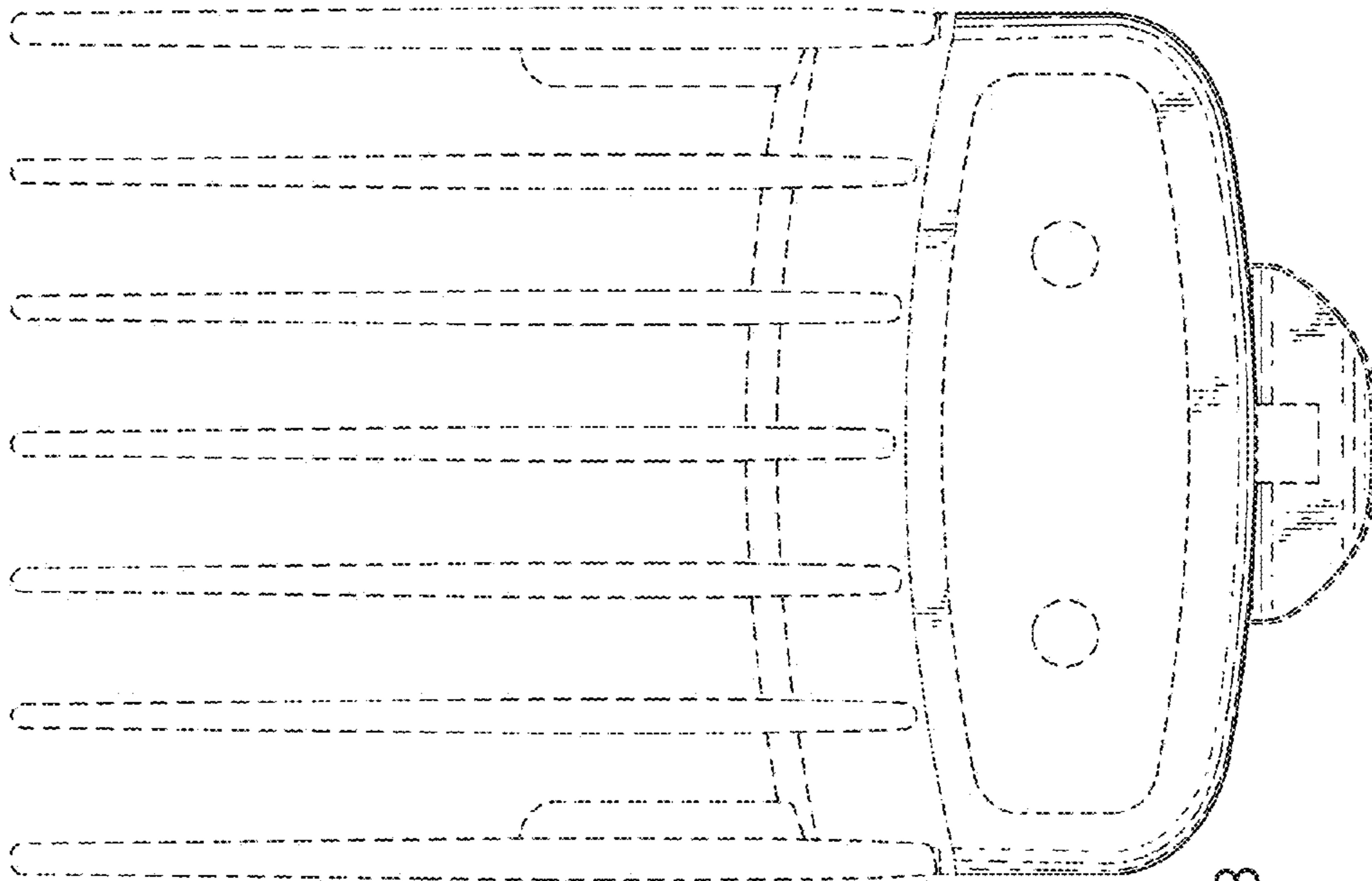


Fig. 8

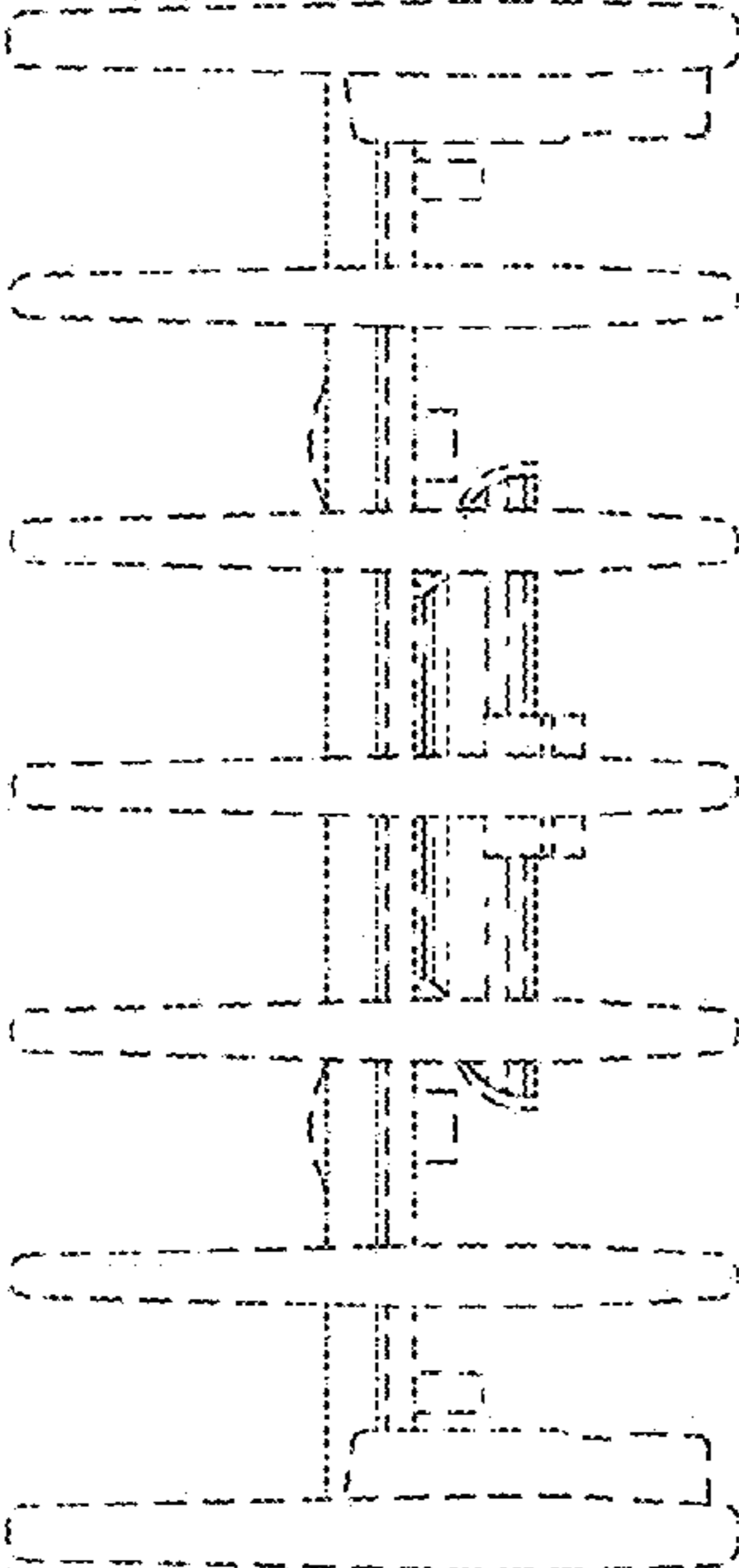


Fig.11

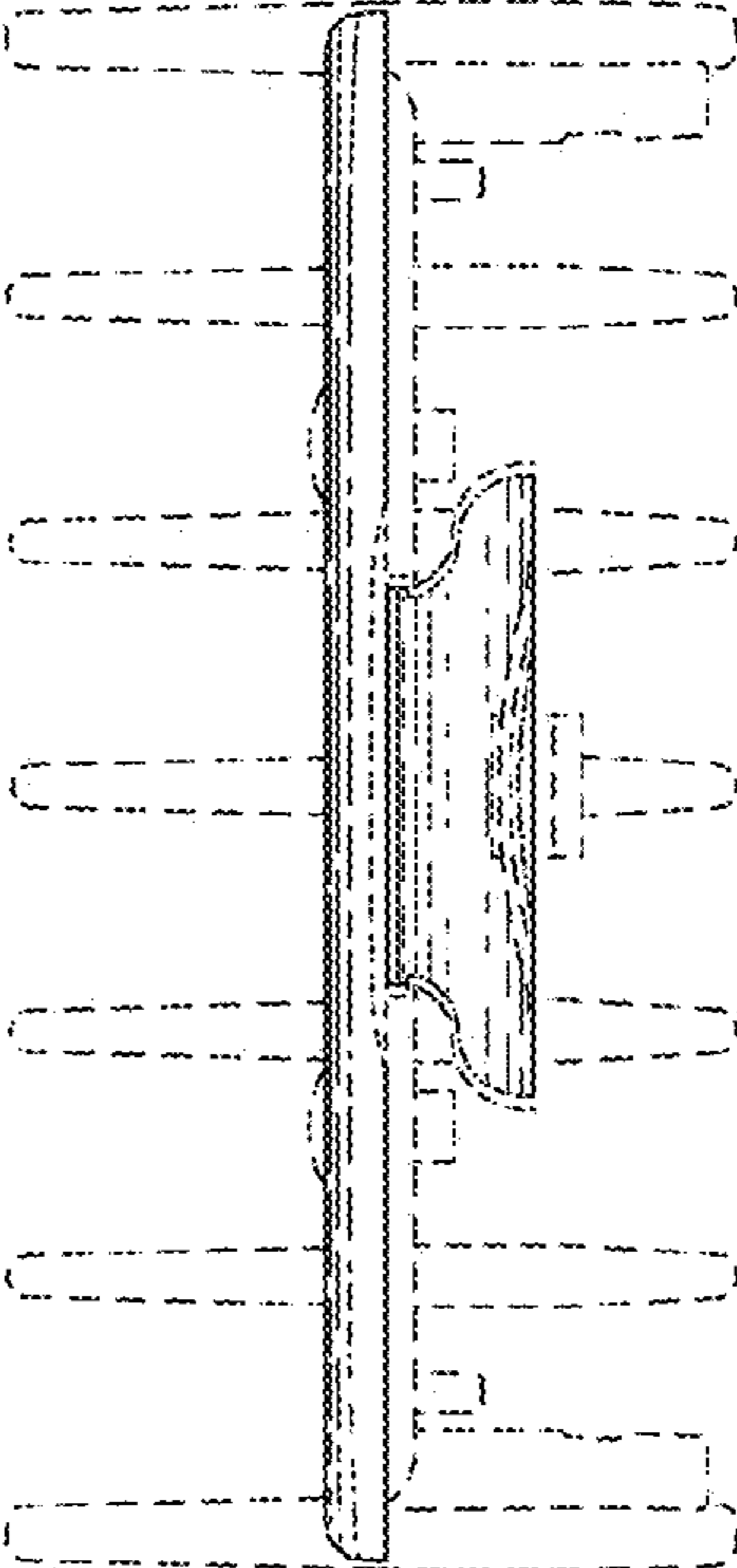


Fig.12

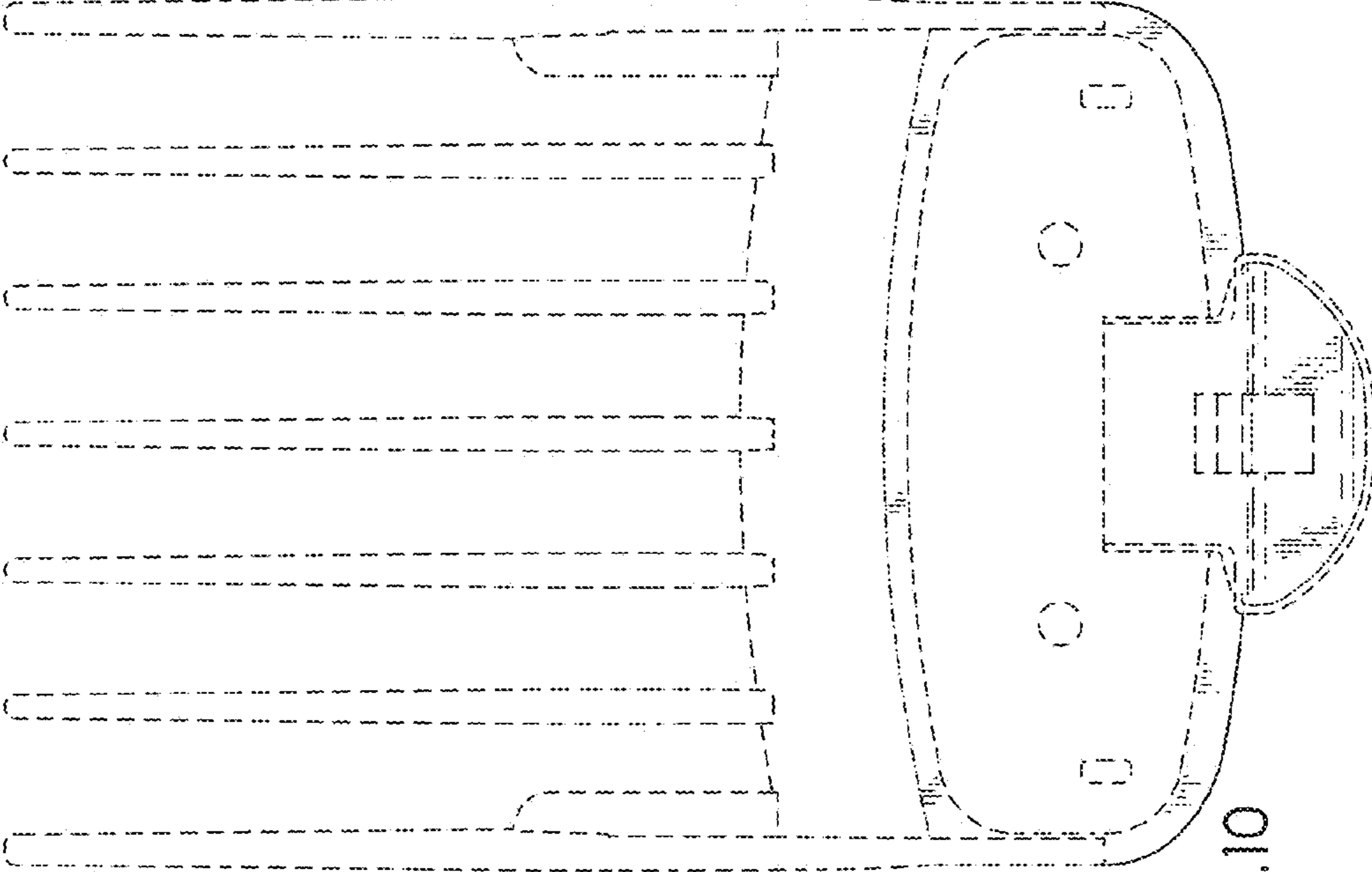


Fig.10