



US00D748856S

(12) **United States Design Patent**  
**Mahony et al.**

(10) **Patent No.:** **US D748,856 S**

(45) **Date of Patent:** **\*\* \*Feb. 2, 2016**

(54) **RAZOR CARTRIDGE**

(71) Applicant: **The Gillette Company**, Boston, MA  
(US)

(72) Inventors: **Lynn Ann Mahony**, Boston, MA (US);  
**Sonia Moreno**, Brookline, MA (US)

(73) Assignee: **The Gillette Company**, Boston, MA  
(US)

(\*) Notice: This patent is subject to a terminal disclaimer.

(\*\*) Term: **14 Years**

(21) Appl. No.: **29/493,837**

(22) Filed: **Jun. 13, 2014**

(51) **LOC (10) Cl.** ..... **28-03**

(52) **U.S. Cl.**  
USPC ..... **D28/47**

(58) **Field of Classification Search**  
USPC ..... D28/44-48  
CPC ..... B26B 21/00-21/12; B26B 21/14;  
B26B 21/16; B26B 21/165; B26B 21/18;  
B26B 21/185; B26B 21/20-21/227; B26B  
21/24; B26B 21/28; B26B 21/30; B26B  
21/32; B26B 21/40; B26B 21/4062; B26B  
21/4068; B26B 21/4075; B26B 21/52-21/528  
See application file for complete search history.

(56) **References Cited**

U.S. PATENT DOCUMENTS

|              |    |   |         |                |       |        |
|--------------|----|---|---------|----------------|-------|--------|
| D556,378     | S  | * | 11/2007 | Watson et al.  | ..... | D28/47 |
| 7,331,107    | B2 | * | 2/2008  | Follo et al.   | ..... | 30/50  |
| D631,198     | S  | * | 1/2011  | Adams et al.   | ..... | D28/47 |
| D634,474     | S  | * | 3/2011  | Wilby          | ..... | D28/47 |
| D665,129     | S  | * | 8/2012  | Wilby          | ..... | D28/47 |
| 8,327,545    | B2 | * | 12/2012 | Peterson       | ..... | 30/50  |
| D704,887     | S  | * | 5/2014  | Wilby et al.   | ..... | D28/46 |
| 2006/0070240 | A1 | * | 4/2006  | Fischer        | ..... | 30/50  |
| 2007/0107231 | A1 | * | 5/2007  | Brown et al.   | ..... | 30/50  |
| 2014/0026424 | A1 | * | 1/2014  | Oglesby et al. | ..... | 30/50  |

\* cited by examiner

*Primary Examiner* — Jennifer Rivard

(74) *Attorney, Agent, or Firm* — Joanne N. Pappas; Kevin C. Johnson; Steven W. Miller

(57) **CLAIM**

The ornamental design for a razor cartridge, as shown and described.

**DESCRIPTION**

FIG. 1 is a perspective view of a razor cartridge of the present invention;

FIG. 2 is a front view thereof;

FIG. 3 is a back view thereof;

FIG. 4 is a top view thereof;

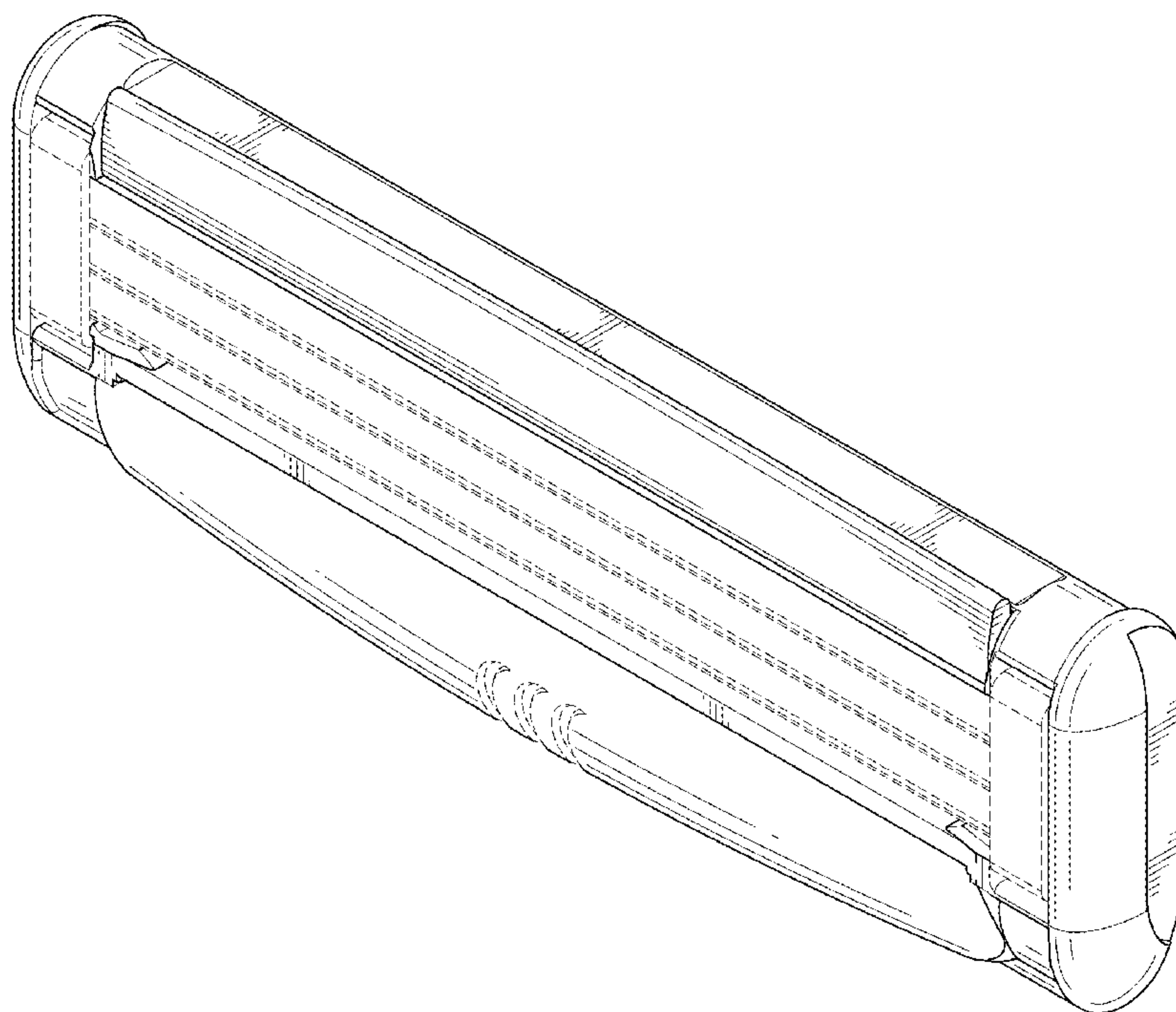
FIG. 5 is a bottom view thereof;

FIG. 6 is a left view thereof; and,

FIG. 7 is a right view thereof.

The broken lines illustrate portions of the cartridge and form no part of the claimed design.

**1 Claim, 5 Drawing Sheets**



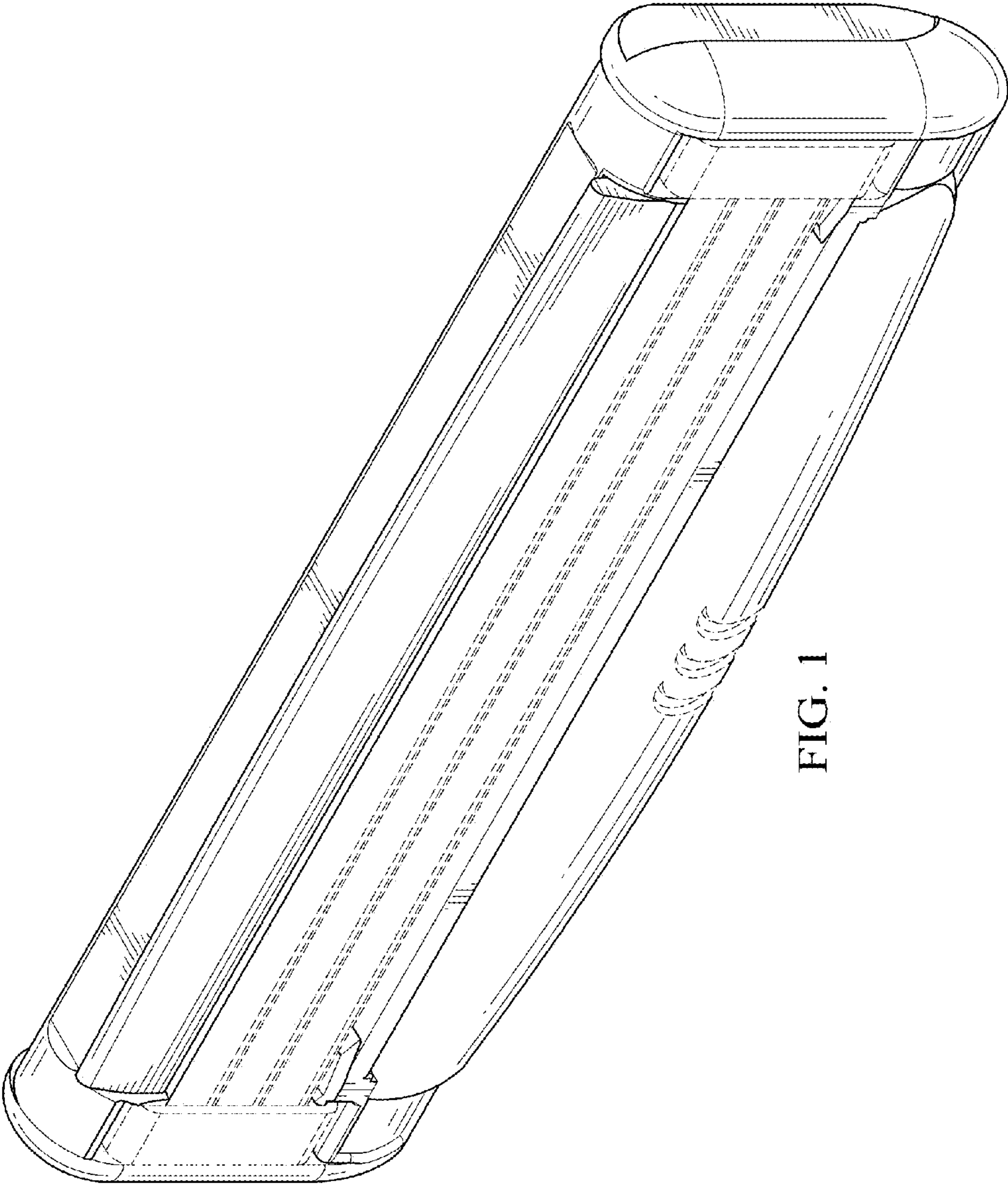


FIG. 1

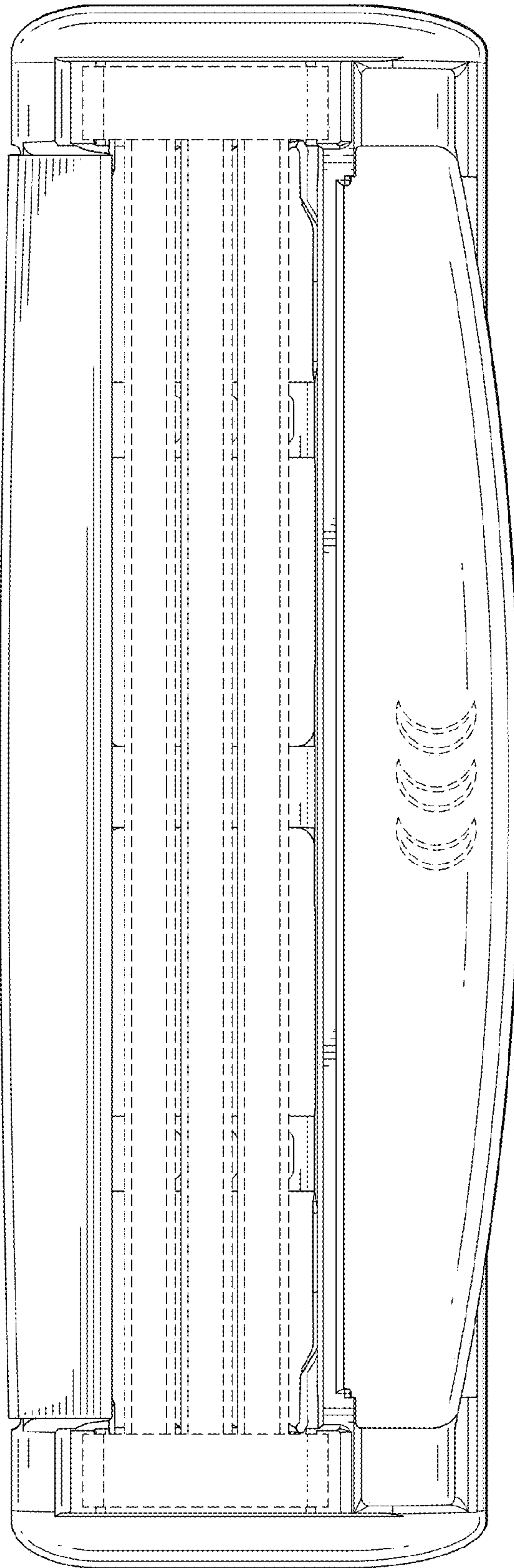


FIG. 2



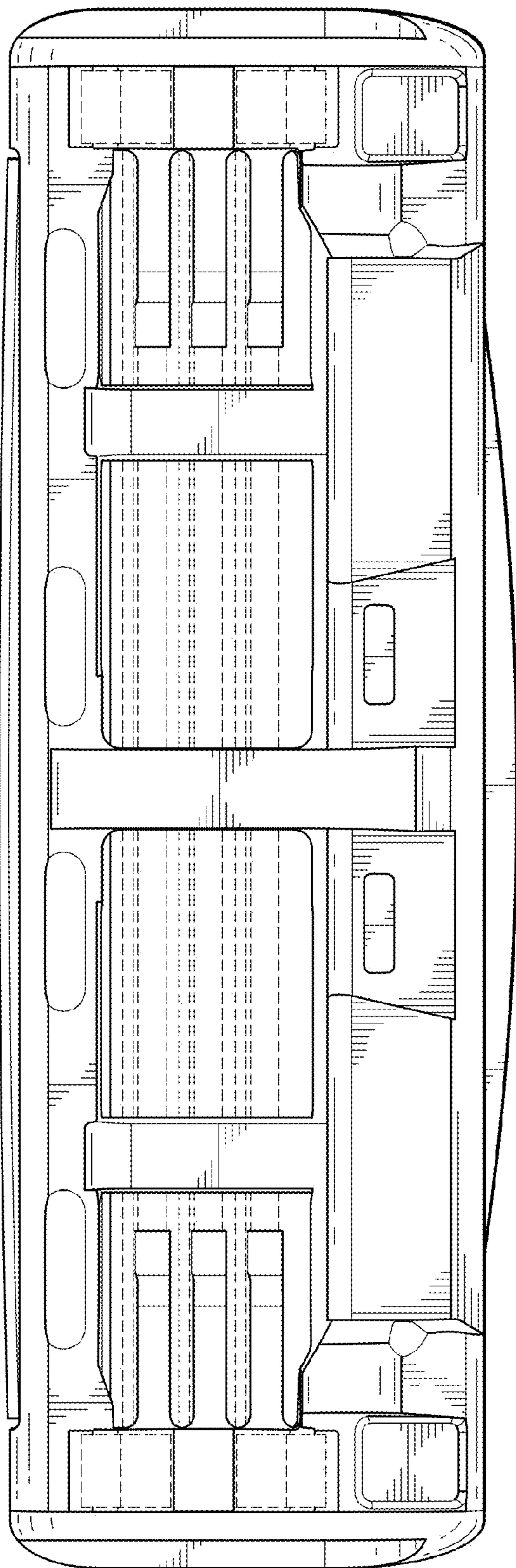


FIG. 3

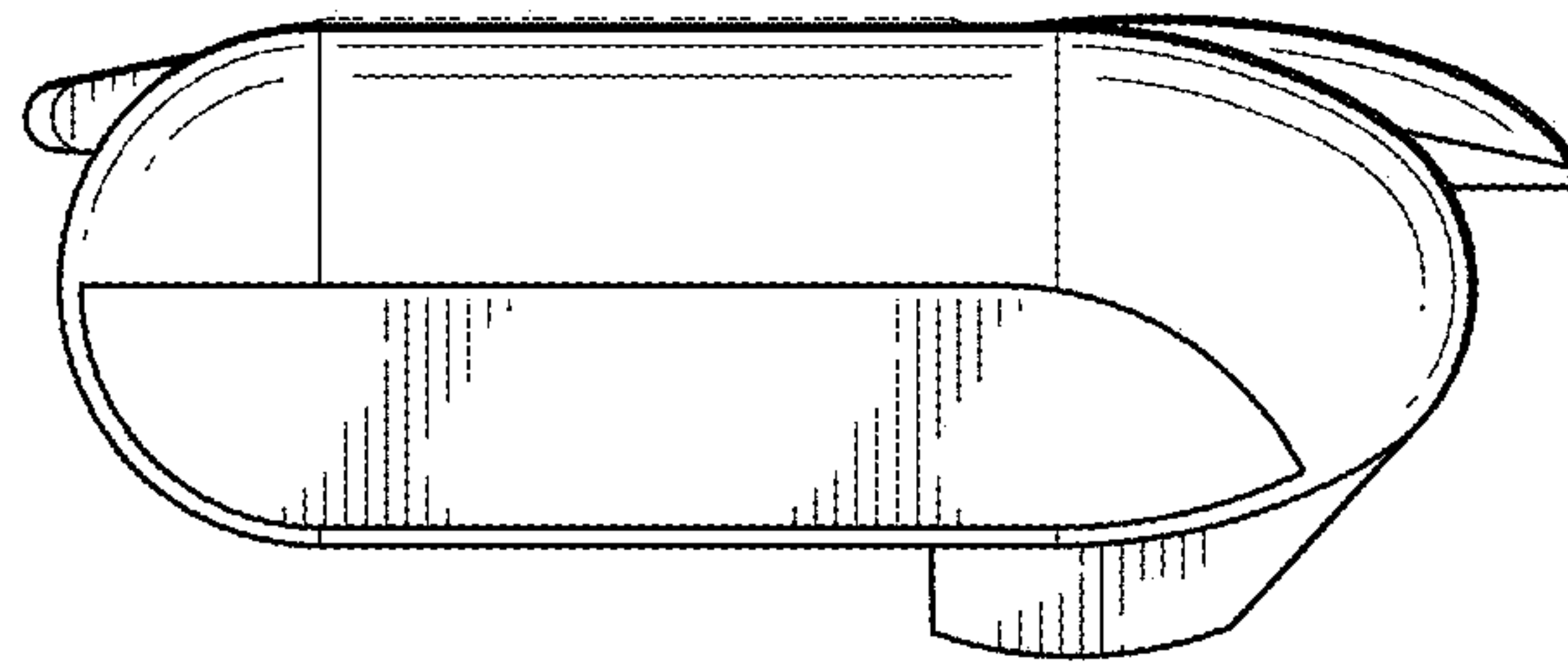


FIG. 5

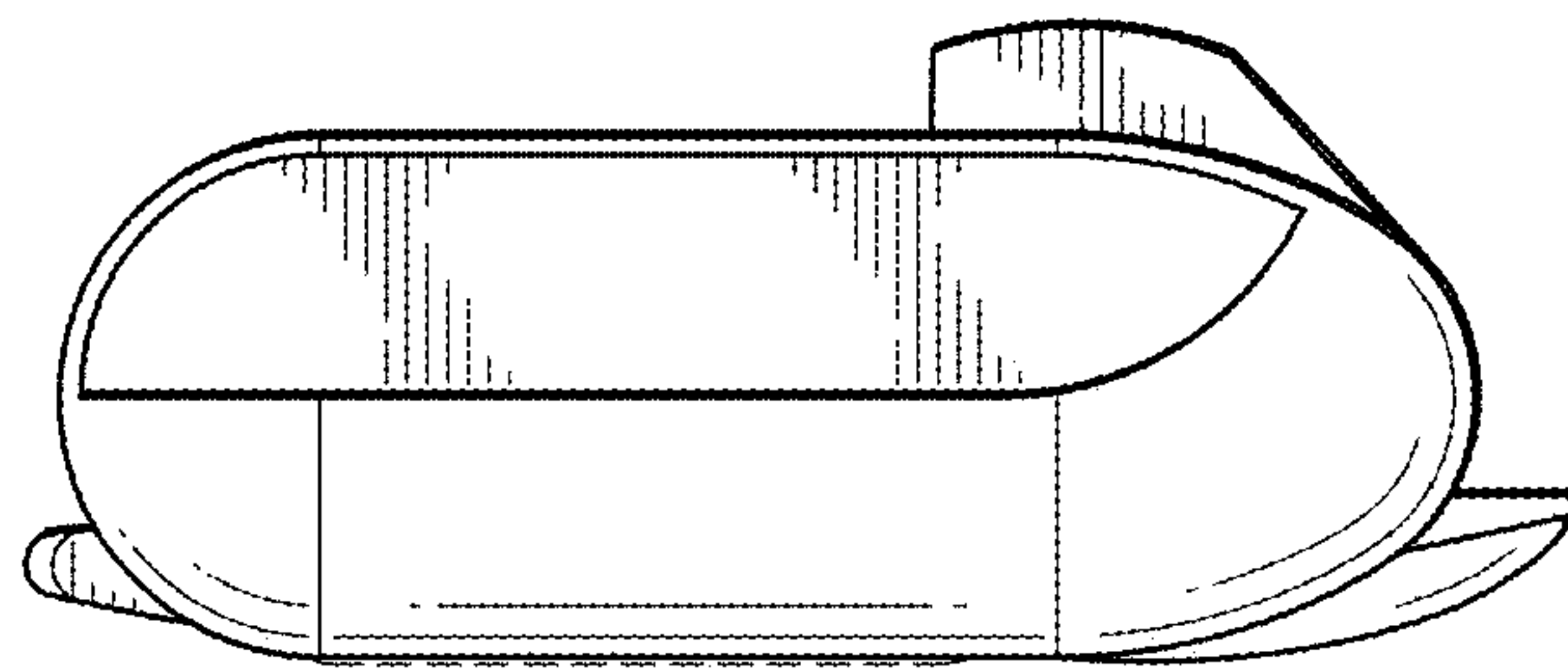


FIG. 4

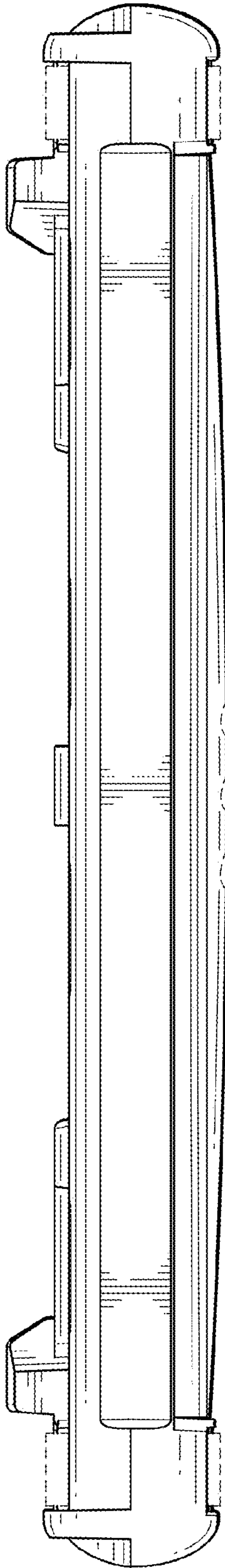


FIG. 6

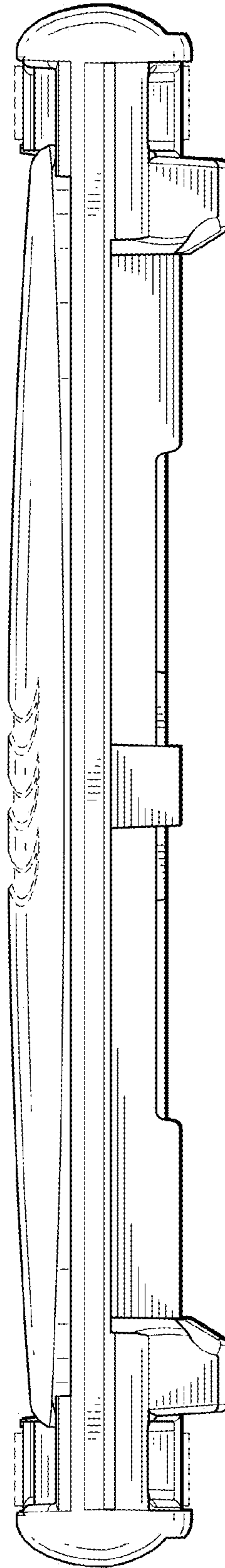


FIG. 7