



US00D748855S

(12) **United States Design Patent**  
**Hightower**

(10) **Patent No.:** **US D748,855 S**

(45) **Date of Patent:** **\*\* \*Feb. 2, 2016**

(54) **BRAID PULLER COMB**

(71) Applicant: **Marcus Hightower**, Palmdale, CA (US)

(72) Inventor: **Marcus Hightower**, Palmdale, CA (US)

(\* ) Notice: This patent is subject to a terminal disclaimer.

(\*\*) Term: **14 Years**

(21) Appl. No.: **29/471,660**

(22) Filed: **Nov. 4, 2013**

(51) **LOC (10) Cl.** ..... **28-03**

(52) **U.S. Cl.**  
USPC ..... **D28/21; D28/31**  
CPC ..... **A45D 24/00 (2013.01)**

(58) **Field of Classification Search**  
USPC ..... D28/7, 20-34; 132/53, 112, 126, 150,  
132/208, 219.216; D32/49; 15/142, 143.1;  
D30/158, 159  
CPC ..... A45D 24/00  
See application file for complete search history.

(56) **References Cited**

**U.S. PATENT DOCUMENTS**

2,254,816 A \* 9/1941 Bergmann ..... 132/122  
2,564,239 A \* 8/1951 Voight ..... 132/106  
3,358,698 A \* 12/1967 Blanchard ..... 132/252

D253,970 S \* 1/1980 Whiteman ..... D28/25  
D276,945 S \* 12/1984 Goodrich ..... D32/49  
D457,983 S \* 5/2002 Bejdova ..... D28/37  
D646,434 S \* 10/2011 Libman et al. .... D28/33

\* cited by examiner

*Primary Examiner* — Zenia Bennett

(74) *Attorney, Agent, or Firm* — Daniel Boudwin; Global Intellectual Property Agency LLC

(57) **CLAIM**

The ornamental design for a braid puller comb, as shown and described.

**DESCRIPTION**

FIG. 1 shows a perspective view of the braid puller comb of the present invention.

FIG. 2 shows a front view of the braid puller comb of the present invention.

FIG. 3 shows a rear view of the braid puller comb of the present invention.

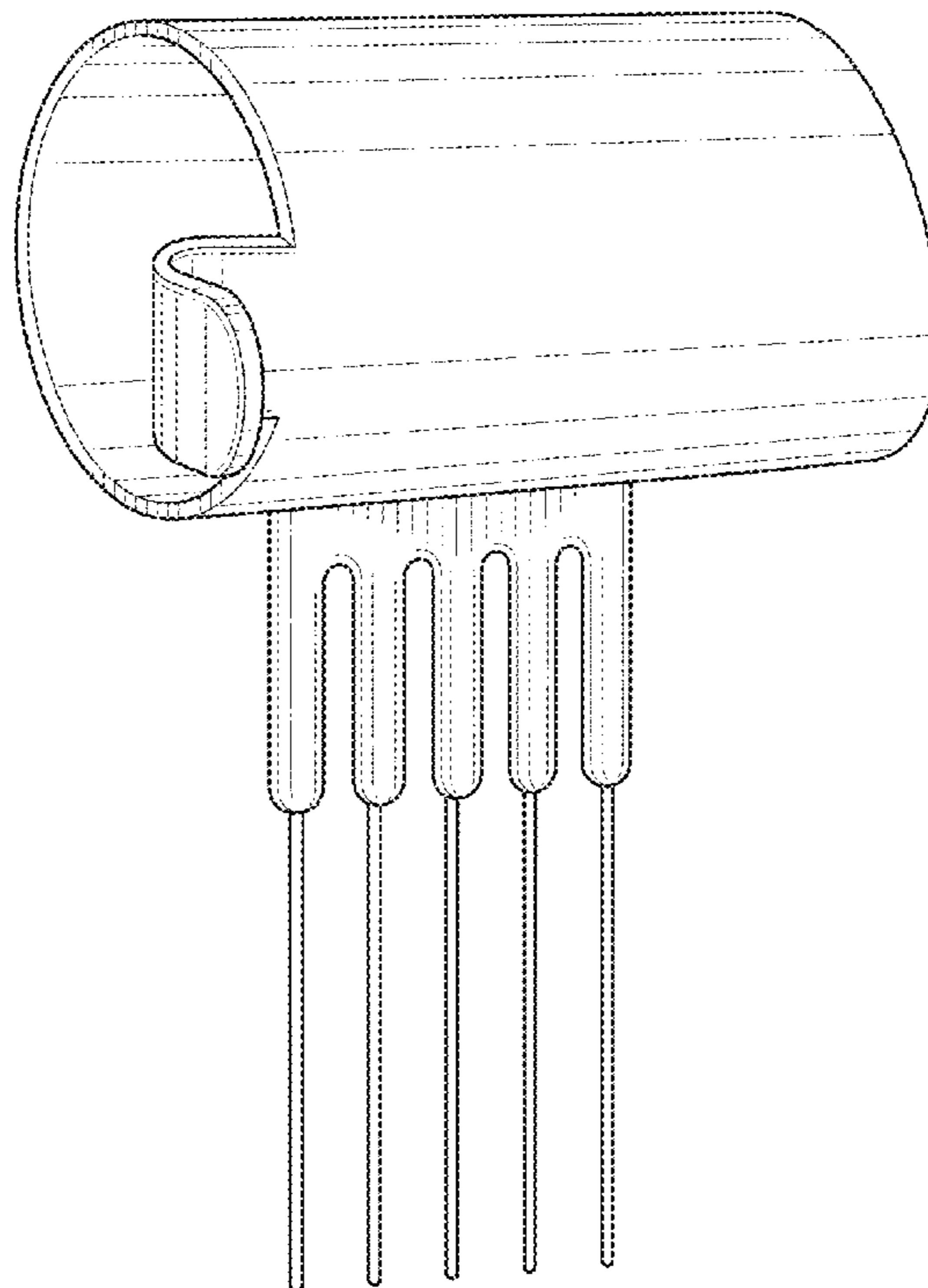
FIG. 4 shows a first side view of the braid puller comb of the present invention.

FIG. 5 shows a second side view of the braid puller comb of the present invention.

FIG. 6 shows an overhead view of the braid puller comb of the present invention; and,

FIG. 7 shows an underside view of the braid puller comb of the present invention.

**1 Claim, 4 Drawing Sheets**



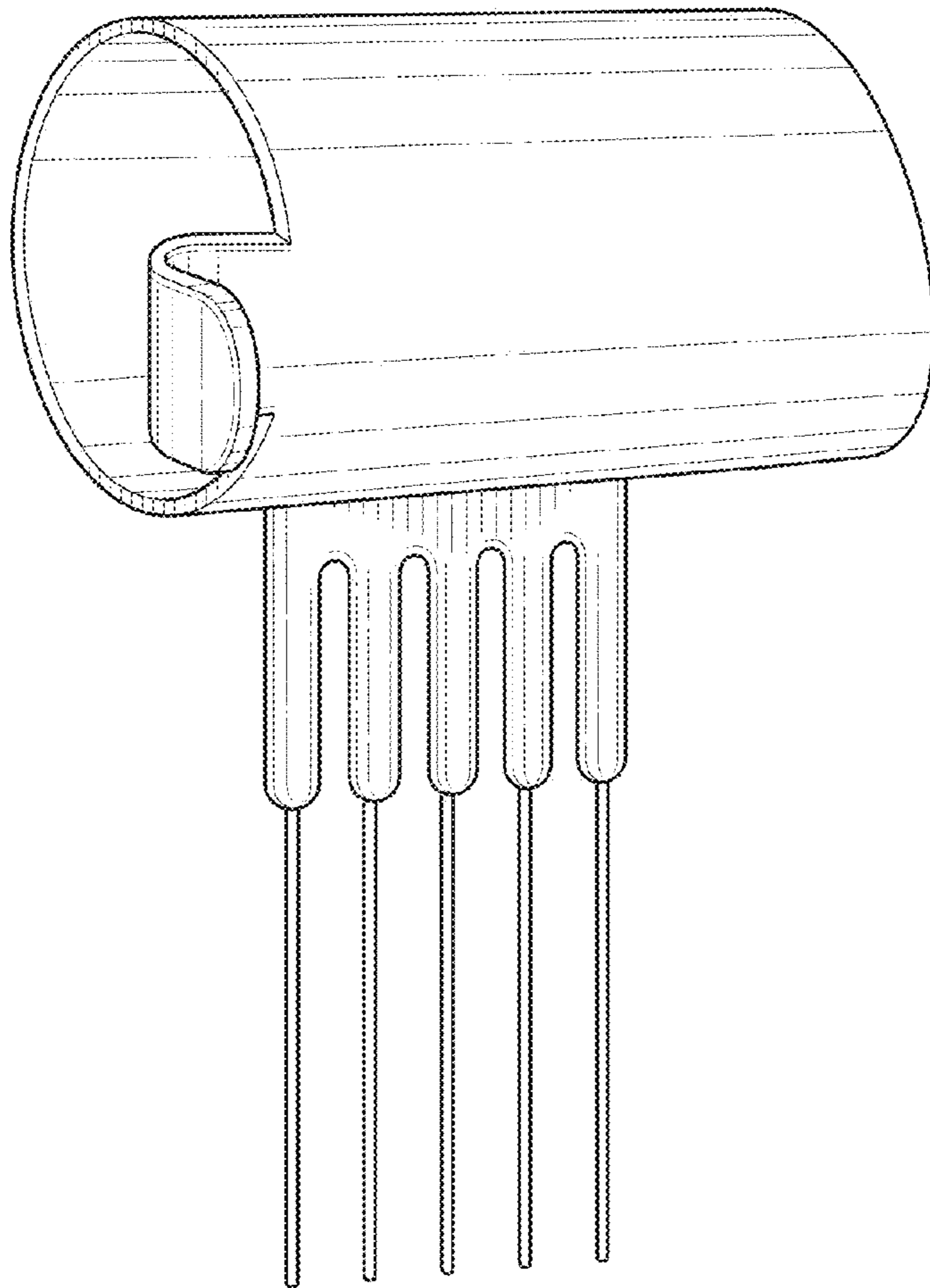


FIG. 1

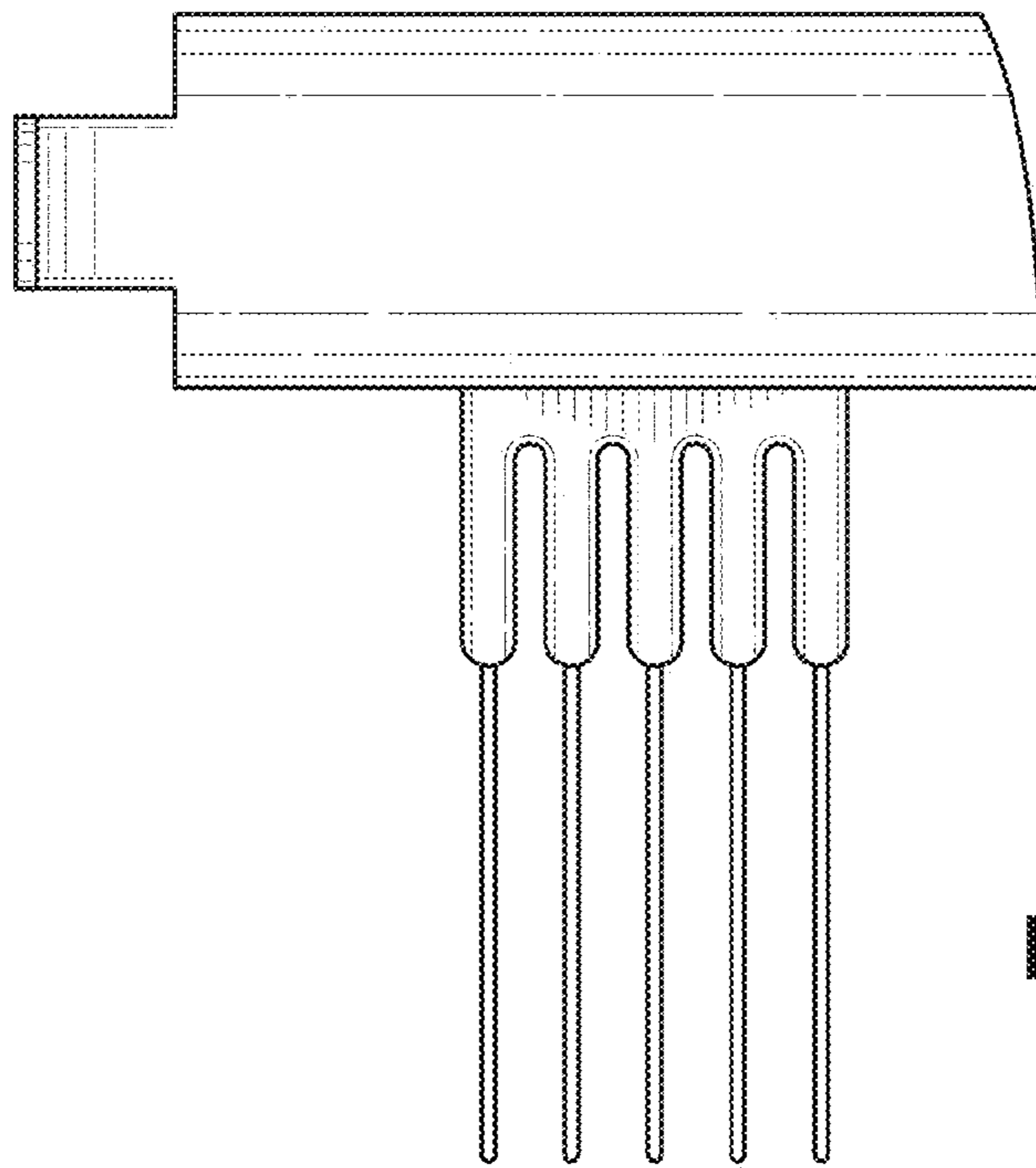


FIG. 2

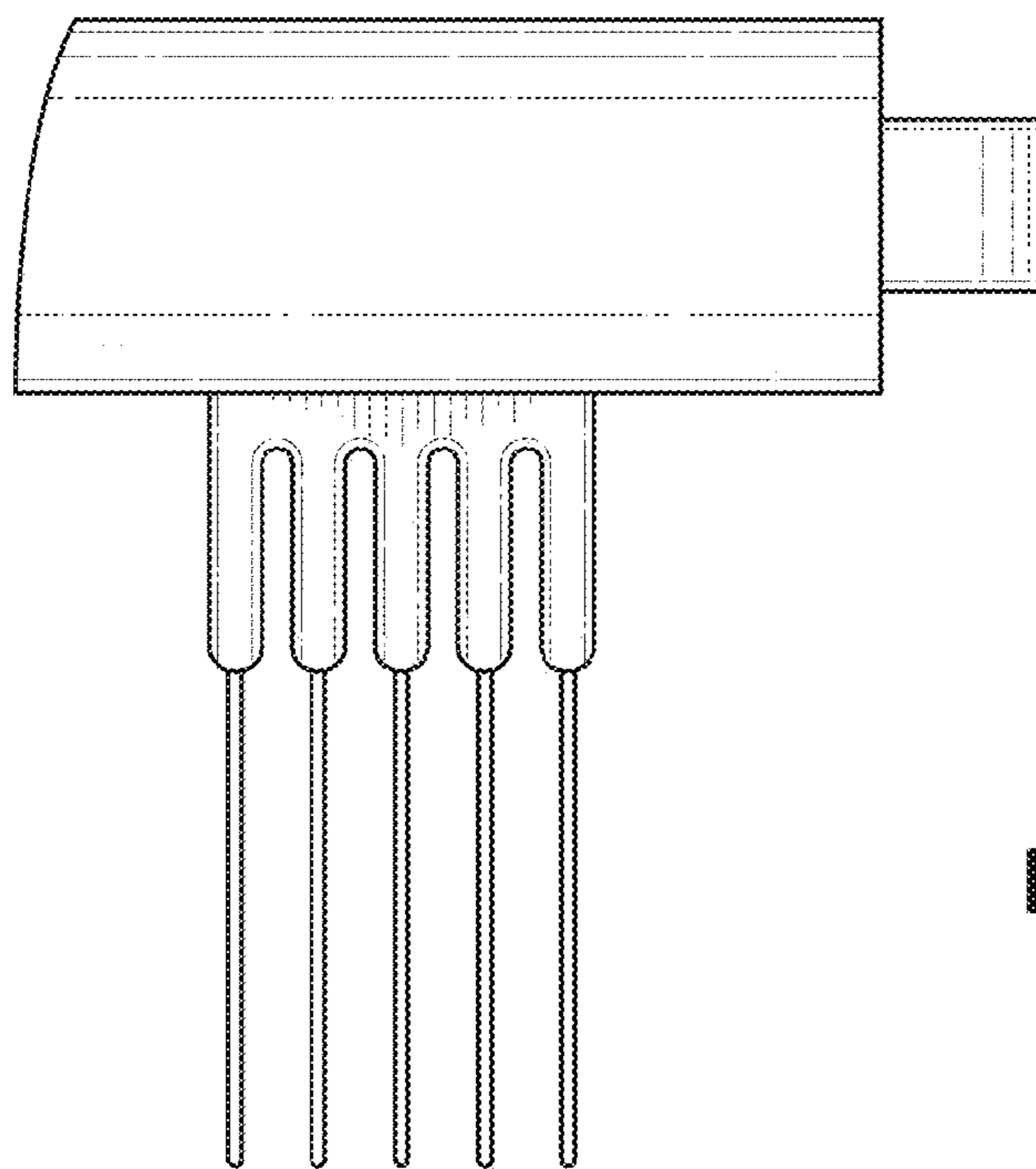


FIG. 3

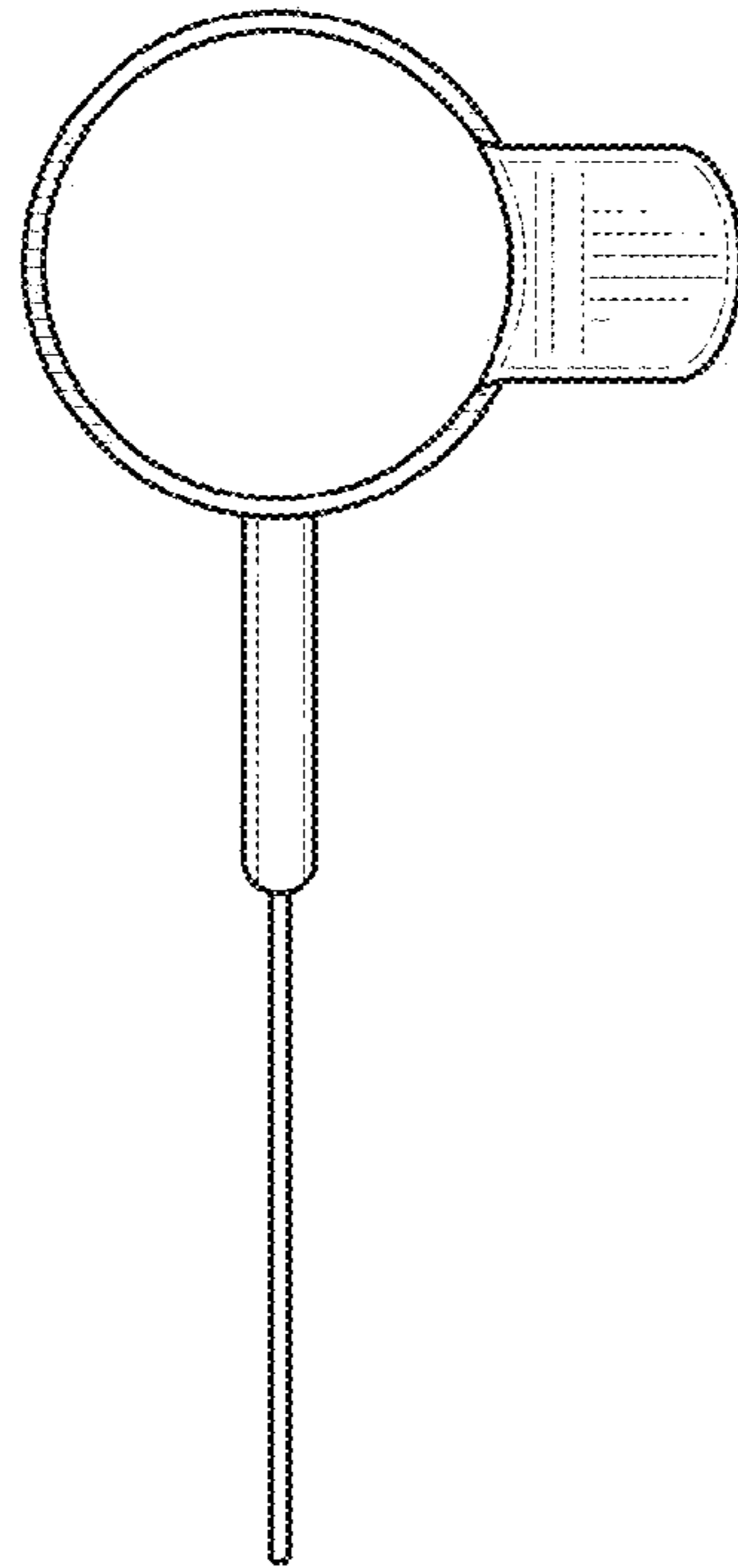


FIG. 4

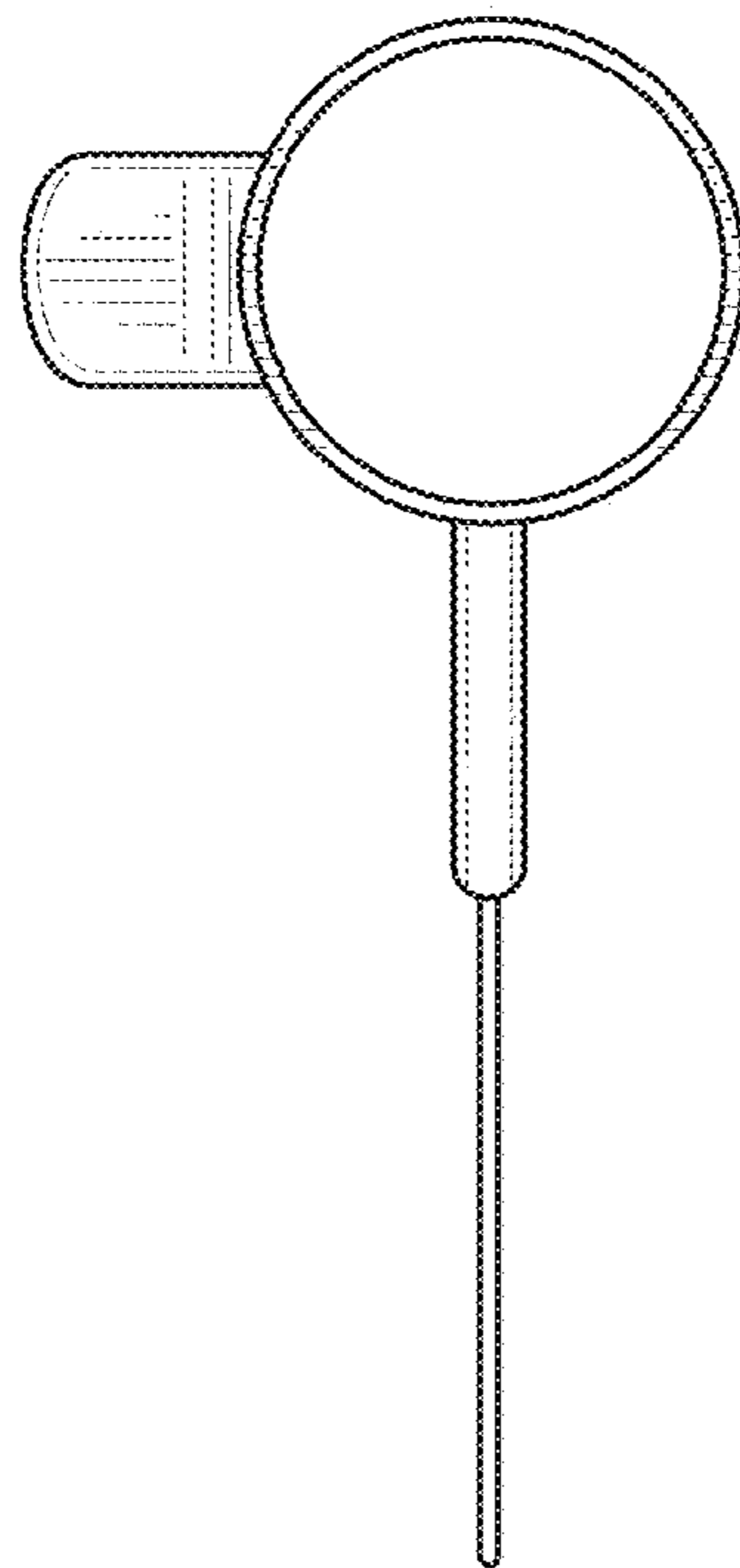


FIG. 5

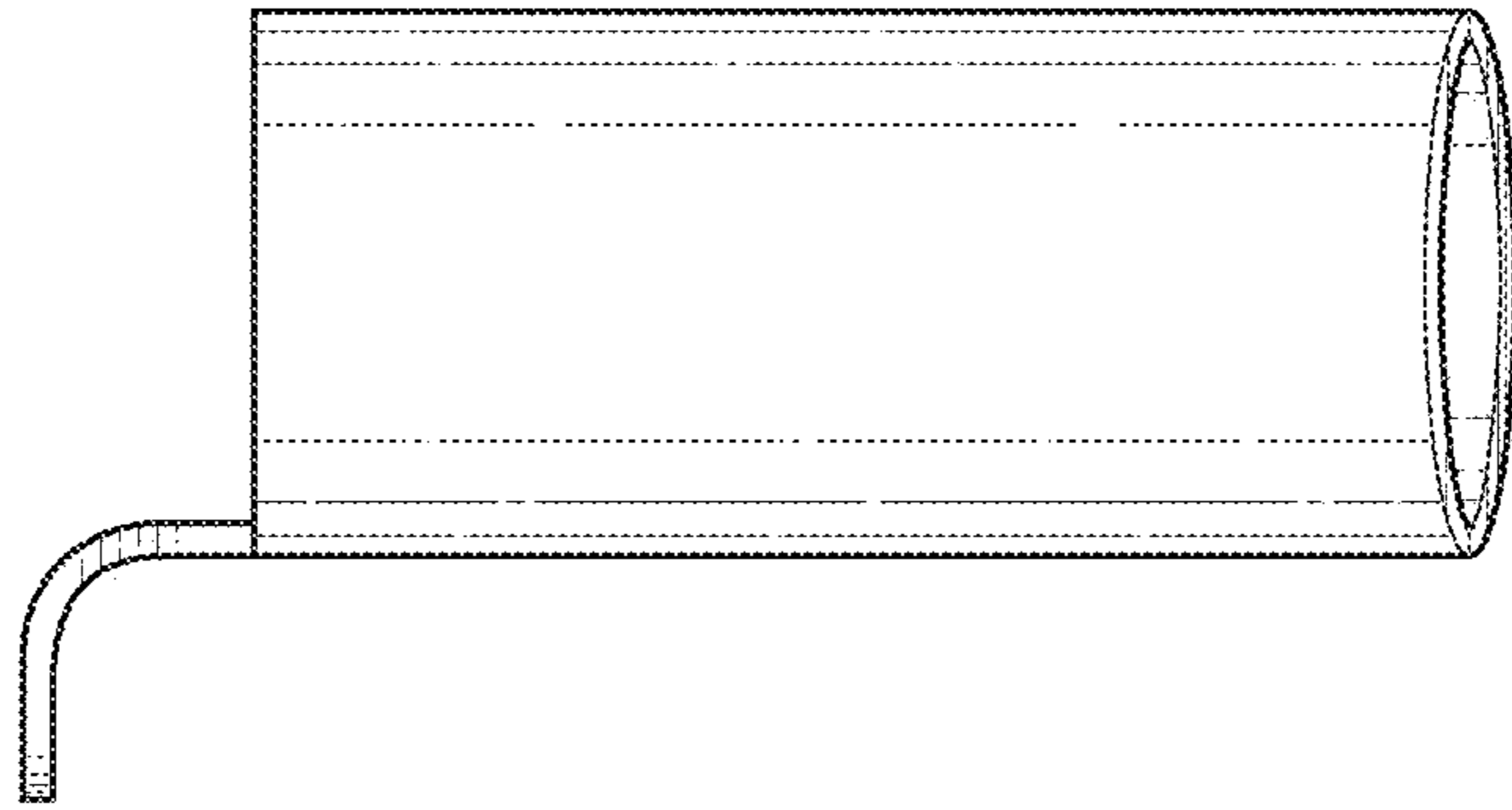


FIG. 6

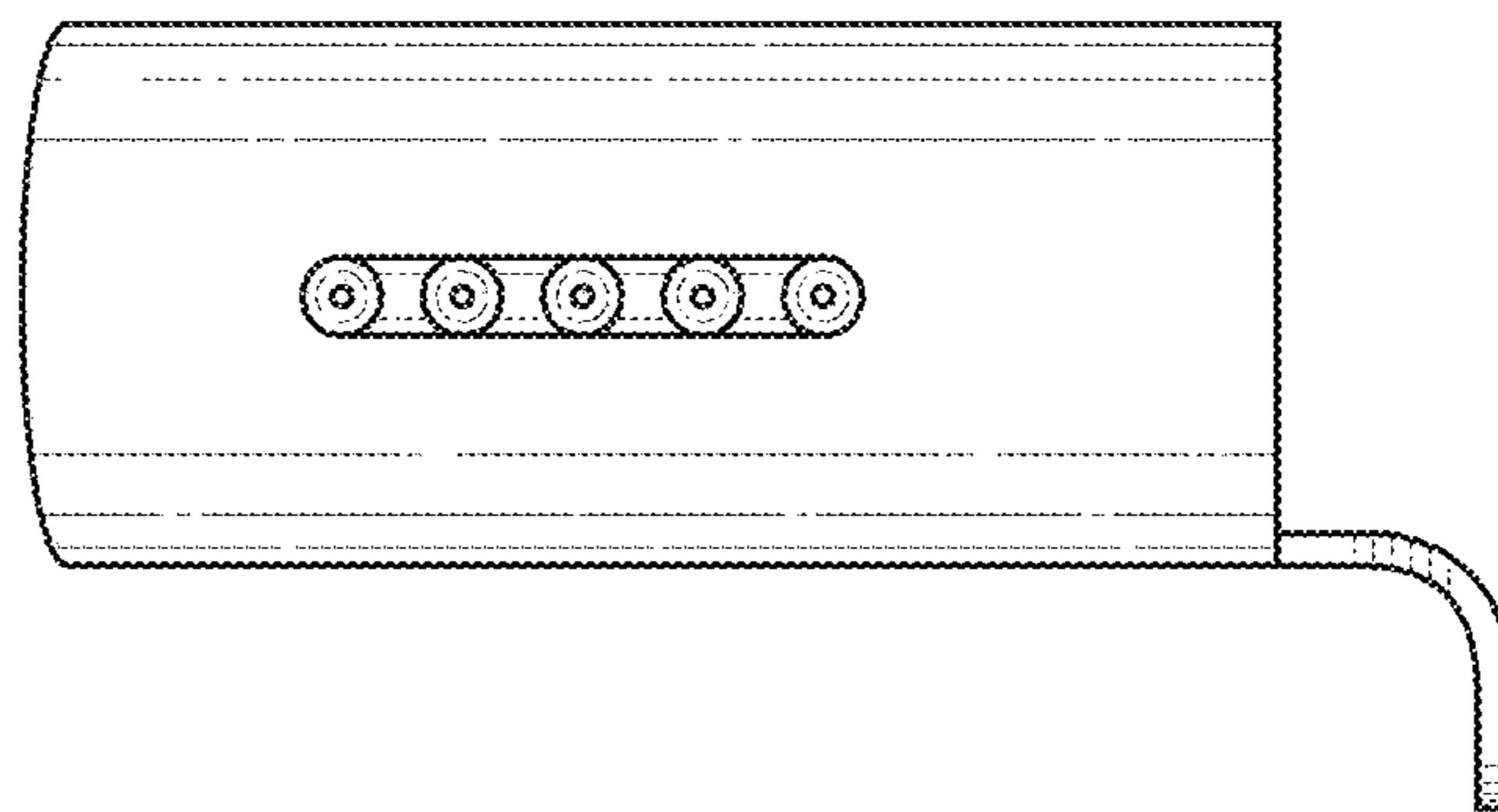


FIG. 7