



US00D748849S

(12) **United States Design Patent**
Stanley

(10) **Patent No.:** **US D748,849 S**

(45) **Date of Patent:** **** Feb. 2, 2016**

(54) **SEALED OPTICS AIR COOLED GROW LIGHT**

(71) Applicant: **IP Holdings, LLC**, Vancouver, WA (US)

(72) Inventor: **John Stanley**, Vancouver, WA (US)

(73) Assignee: **IP Holdings, LLC**, Vancouver, WA (US)

(**) Term: **14 Years**

(21) Appl. No.: **29/493,634**

(22) Filed: **Jun. 11, 2014**

(51) **LOC (10) Cl.** **26-99**

(52) **U.S. Cl.**
USPC **D26/118**

(58) **Field of Classification Search**
USPC D26/25-26, 28, 51, 55-57, 59-64, 66,
D26/72-91, 93, 113, 118-120, 122, 138,
D26/140-142; 362/145-148, 150-153,
362/153.1, 217.01, 217.02, 217.05-217.07,
362/217.1, 217.15, 218, 223, 241, 249.02,
362/296.07, 296.08, 294, 299, 311.02,
362/341-345, 362, 373, 563, 580, 600, 608,
362/609, 640, 641, 805; D11/142, 143,
D11/144, 155

See application file for complete search history.

(56) **References Cited**

U.S. PATENT DOCUMENTS

| | | | | |
|-----------|-----|---------|---------------|---------|
| D123,768 | S | 12/1940 | Scribner | |
| 3,272,978 | A | 9/1966 | Jackson | |
| 3,675,008 | A * | 7/1972 | Hill | 362/355 |
| 3,701,898 | A * | 10/1972 | McNamara, Jr. | 362/346 |
| 3,902,059 | A * | 8/1975 | McNamara, Jr. | 362/349 |
| 4,531,180 | A | 7/1985 | Hernandez | |
| D300,877 | S * | 4/1989 | Cyr | D26/118 |
| 4,933,821 | A | 6/1990 | Anderson | |
| D311,597 | S | 10/1990 | Poot | |
| D352,126 | S * | 11/1994 | Ruud et al. | D26/67 |

| | | | | |
|-----------|-----|---------|-------------|---------|
| D419,248 | S * | 1/2000 | Lyons | D26/28 |
| 6,042,250 | A * | 3/2000 | Stragnola | 362/346 |
| 6,152,579 | A | 11/2000 | Reed et al. | |
| D456,938 | S | 5/2002 | Wardenburg | |
| D459,825 | S | 7/2002 | Field | |
| D469,564 | S | 1/2003 | Brok | |
| 6,527,422 | B1 | 3/2003 | Hutchison | |
| 6,595,662 | B2 | 7/2003 | Wardenburg | |
| D542,460 | S | 5/2007 | Hargreaves | |
| D543,652 | S | 5/2007 | Hargreaves | |
| D543,654 | S | 5/2007 | Hargreaves | |

(Continued)

OTHER PUBLICATIONS

Sunlight Supply 2014-15 Catalog, Issuu.com, published Jun. 19, 2014, online. Site visited: Jan. 27, 2015. Internet URL:<"http://issuu.com/sunlightsupply/docs/sunlightproductcatalog_2014-15">.*

Primary Examiner — Cynthia Ramirez

Assistant Examiner — Llorellys Martinez-Rivera

(74) *Attorney, Agent, or Firm* — J. Douglas Wells

(57) **CLAIM**

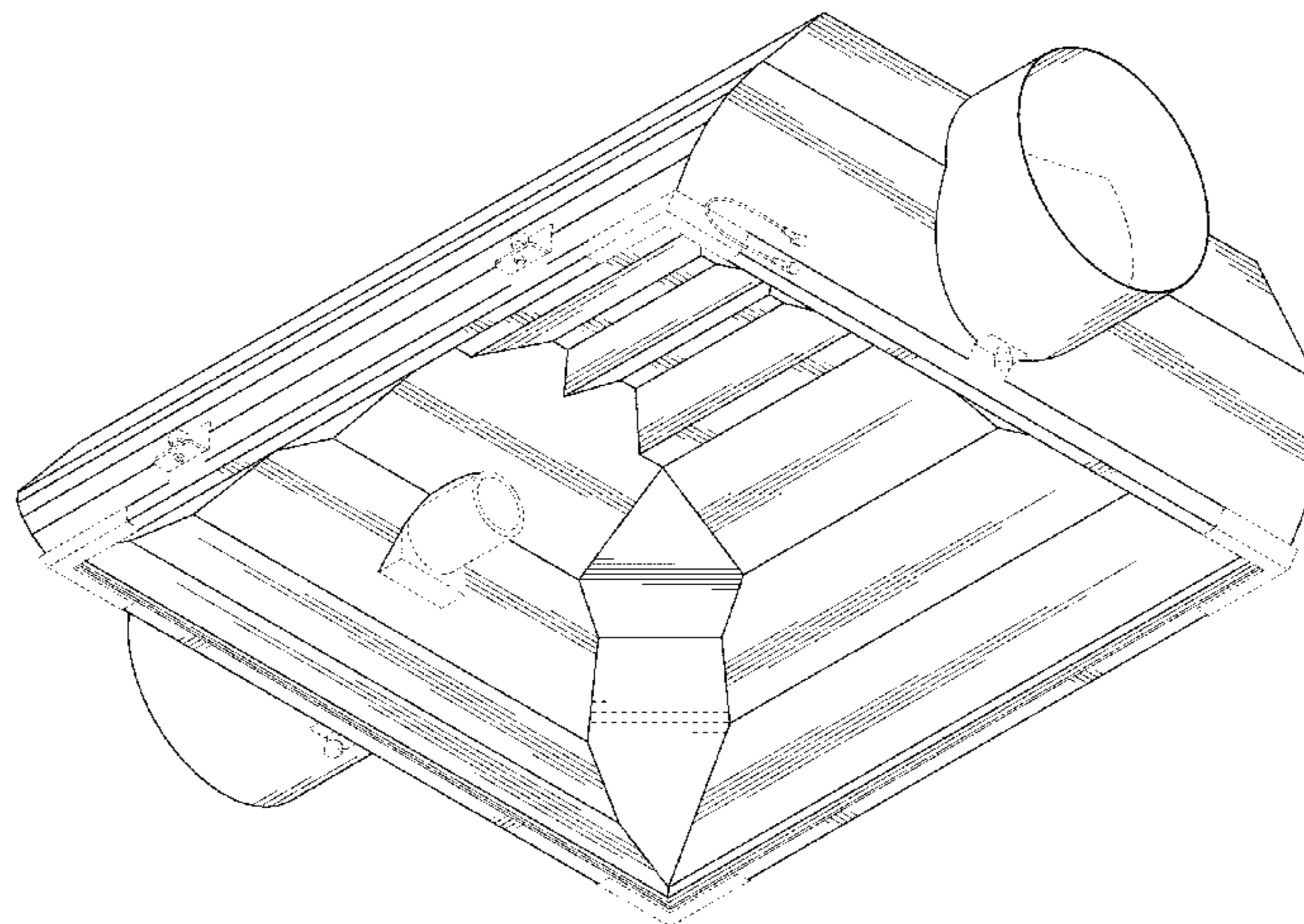
The ornamental design for a sealed optics air cooled grow light, as shown and described.

DESCRIPTION

FIG. 1 is a bottom perspective view of a sealed optics air cooled grow light showing my new design; FIG. 2 is a top perspective view thereof; FIG. 3 is a left side view thereof; FIG. 4 is a right side view thereof; FIG. 5 is a front elevation view thereof; FIG. 6 is a rear elevation view thereof; FIG. 7 is a top plan view thereof; and, FIG. 8 is a bottom plan view thereof.

The broken lines shown in the drawings illustrate portions of the sealed optics air cooled grow light which form no part of the claimed design.

1 Claim, 6 Drawing Sheets



(56)

References Cited

U.S. PATENT DOCUMENTS

| | | | | | |
|-------------------|---------|-------------------|-------|---------|--|
| D544,139 S | 6/2007 | Hargreaves | | | |
| D544,626 S | 6/2007 | Hargreaves | | | |
| D544,983 S | 6/2007 | Hargreaves | | | |
| D544,984 S | 6/2007 | Hargreaves | | | |
| D544,985 S | 6/2007 | Hargreaves | | | |
| D544,987 S | 6/2007 | Hargreaves | | | |
| D544,994 S | 6/2007 | Hargreaves | | | |
| D544,995 S | 6/2007 | Hargreaves | | | |
| D545,484 S | 6/2007 | Hargreaves | | | |
| D545,485 S * | 6/2007 | Hargreaves | | D26/118 | |
| D545,994 S | 7/2007 | Hargreaves | | | |
| 7,524,090 B2 | 4/2009 | Hargreaves | | | |
| 7,534,011 B2 * | 5/2009 | Townsley | | 362/294 | |
| D603,087 S | 10/2009 | Mo et al. | | | |
| 7,641,367 B2 | 1/2010 | Hargreaves et al. | | | |
| D614,801 S | 4/2010 | Collins et al. | | | |
| D634,060 S | 3/2011 | Wardenburg | | | |
| D634,468 S | 3/2011 | Hargreaves | | | |
| D634,469 S | 3/2011 | Hargreaves | | | |
| D637,341 S * | 5/2011 | Wardenburg | | D26/118 | |
| D637,752 S | 5/2011 | Mekhtarian | | | |
| 7,972,044 B2 | 7/2011 | Burkhauser | | | |
| D650,515 S * | 12/2011 | Bradley et al. | | D26/118 | |
| 8,209,912 B2 | 7/2012 | Hargreaves et al. | | | |
| D675,369 S | 1/2013 | Michaud | | | |
| D678,599 S | 3/2013 | Boyer et al. | | | |
| D683,064 S | 5/2013 | Tuck | | | |
| D698,986 S * | 2/2014 | Reynolds | | D26/118 | |
| D698,987 S * | 2/2014 | Stanley | | D26/118 | |
| 8,702,283 B2 * | 4/2014 | Bradley et al. | | 362/345 | |
| D707,385 S * | 6/2014 | Wardenburg et al. | | D26/118 | |
| 2008/0205030 A1 | 8/2008 | Hargreaves | | | |
| 2008/0205071 A1 | 8/2008 | Townsley | | | |
| 2008/0278950 A1 | 11/2008 | Pickard et al. | | | |
| 2009/0262540 A1 | 10/2009 | Hargreaves et al. | | | |
| 2010/0214789 A1 * | 8/2010 | Hawkes et al. | | 362/346 | |
| 2010/0238661 A1 * | 9/2010 | Pfund et al. | | 362/341 | |
| 2013/0250567 A1 * | 9/2013 | Edmond et al. | | 362/346 | |

* cited by examiner

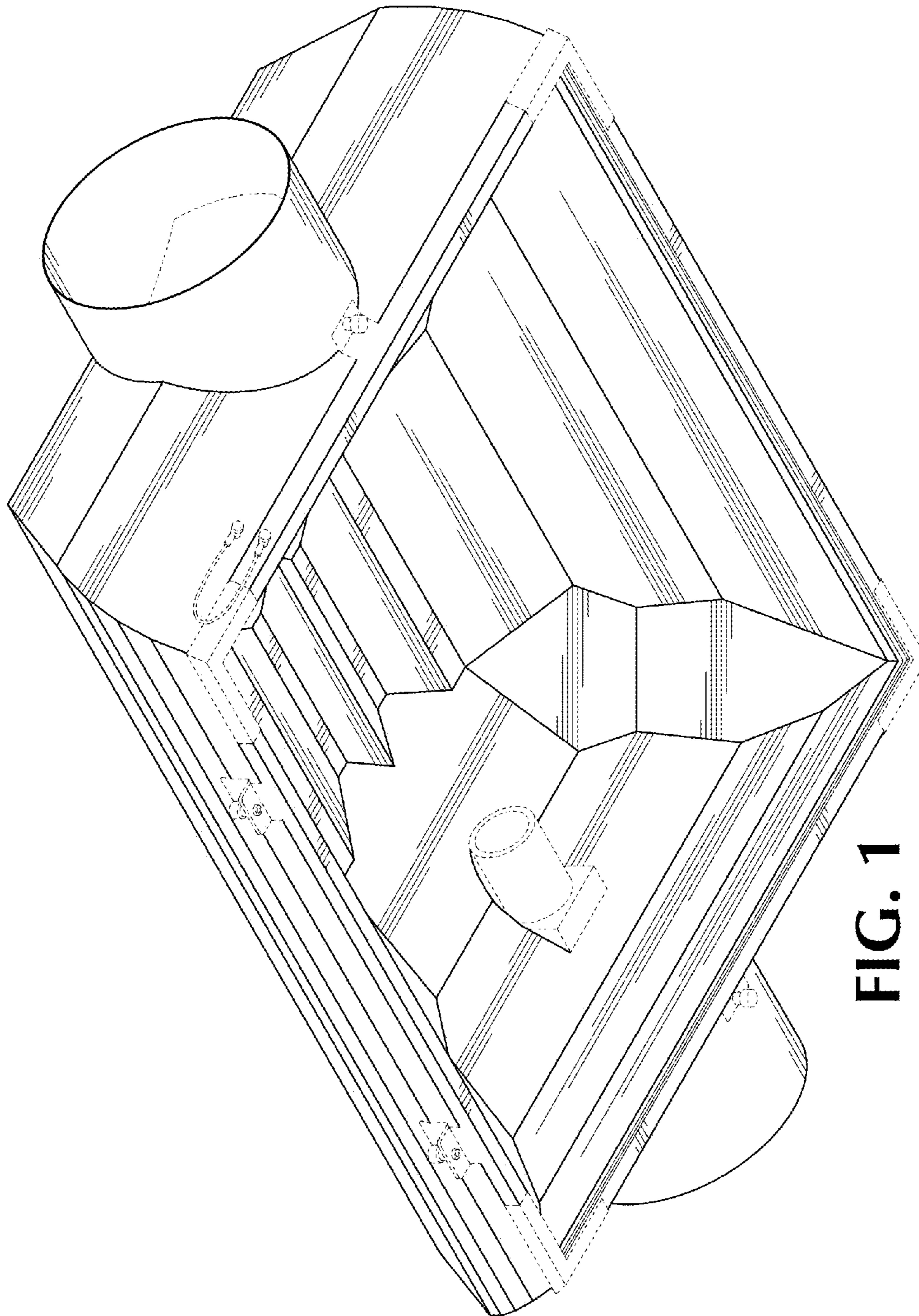


FIG. 1

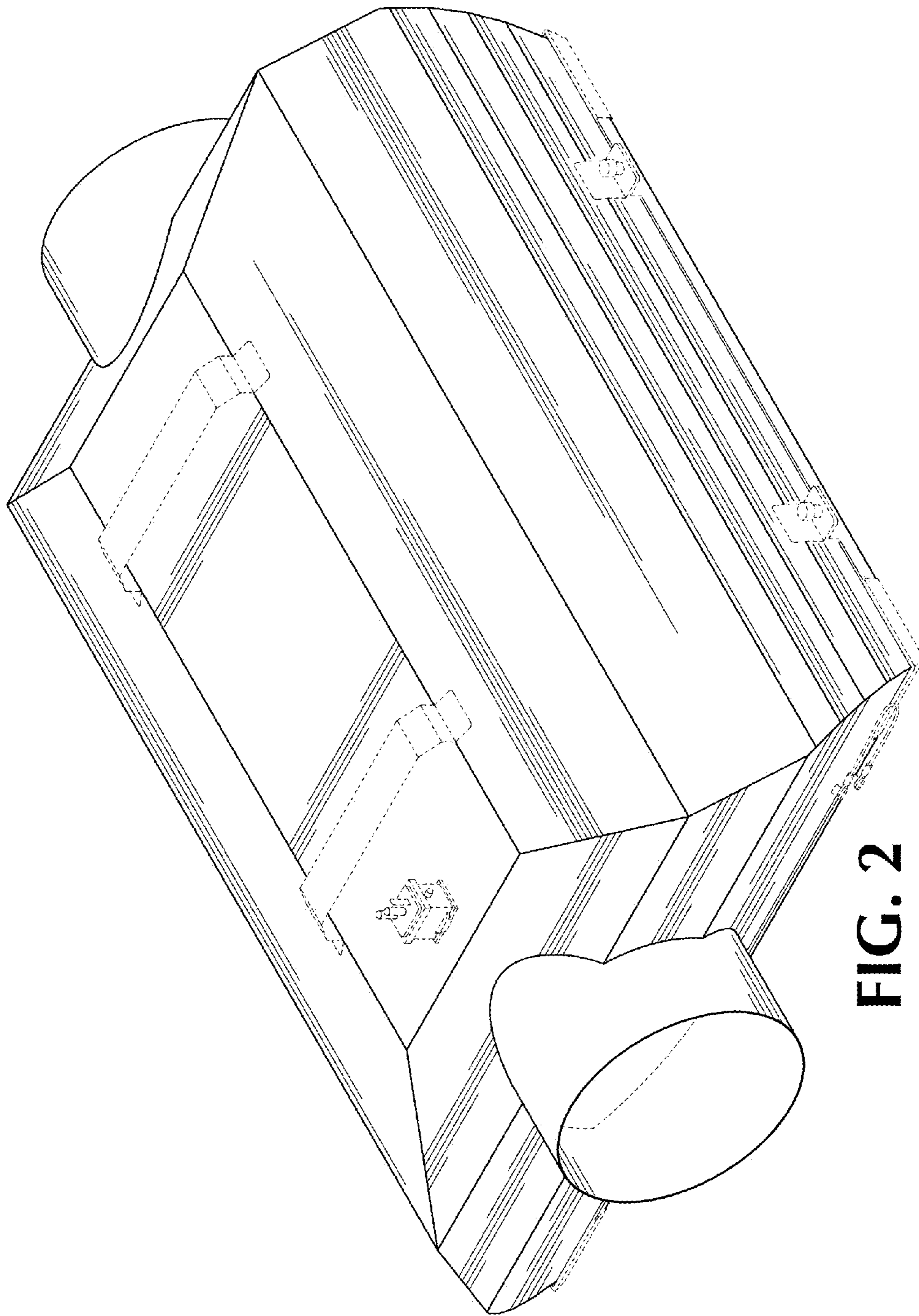


FIG. 2

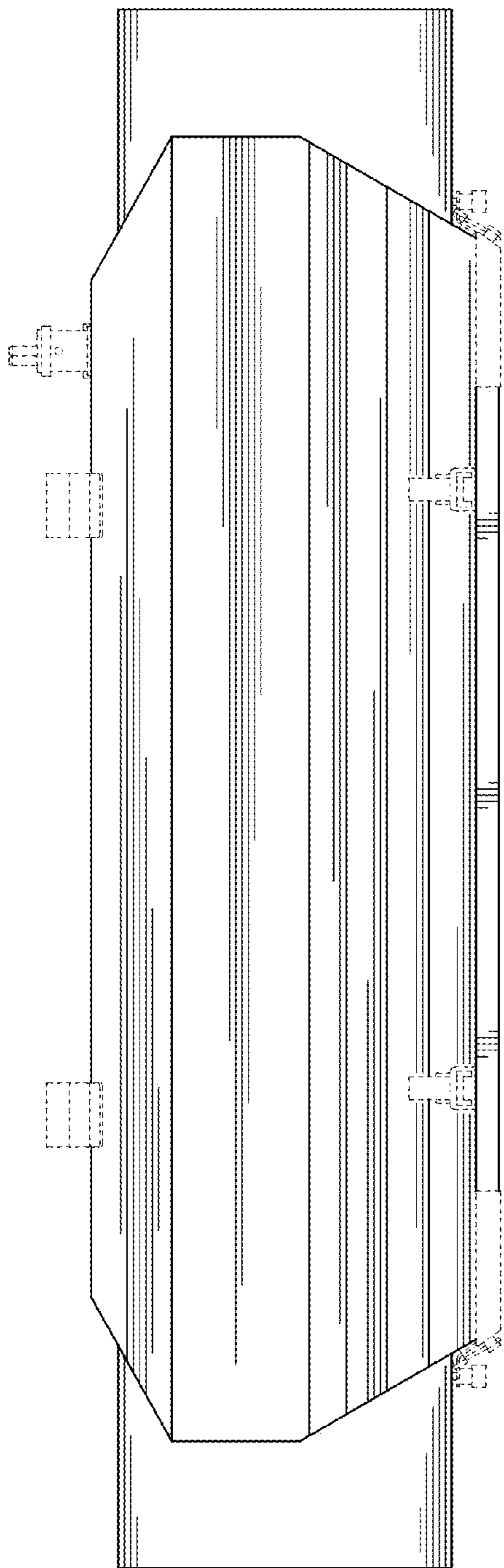


FIG. 3

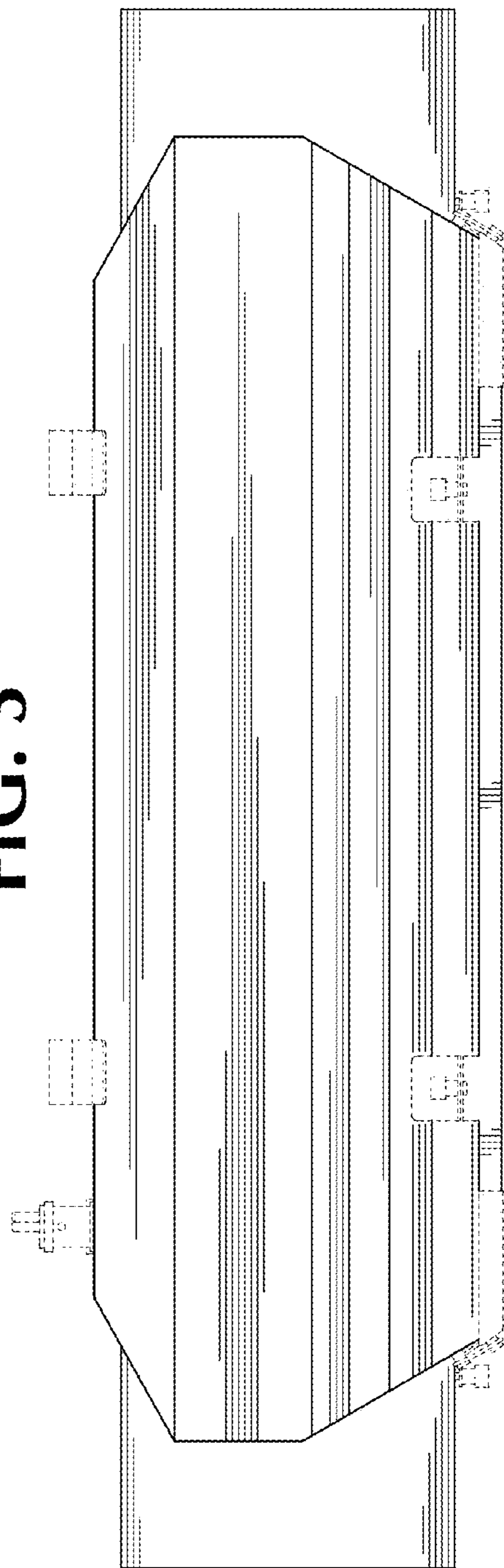


FIG. 4

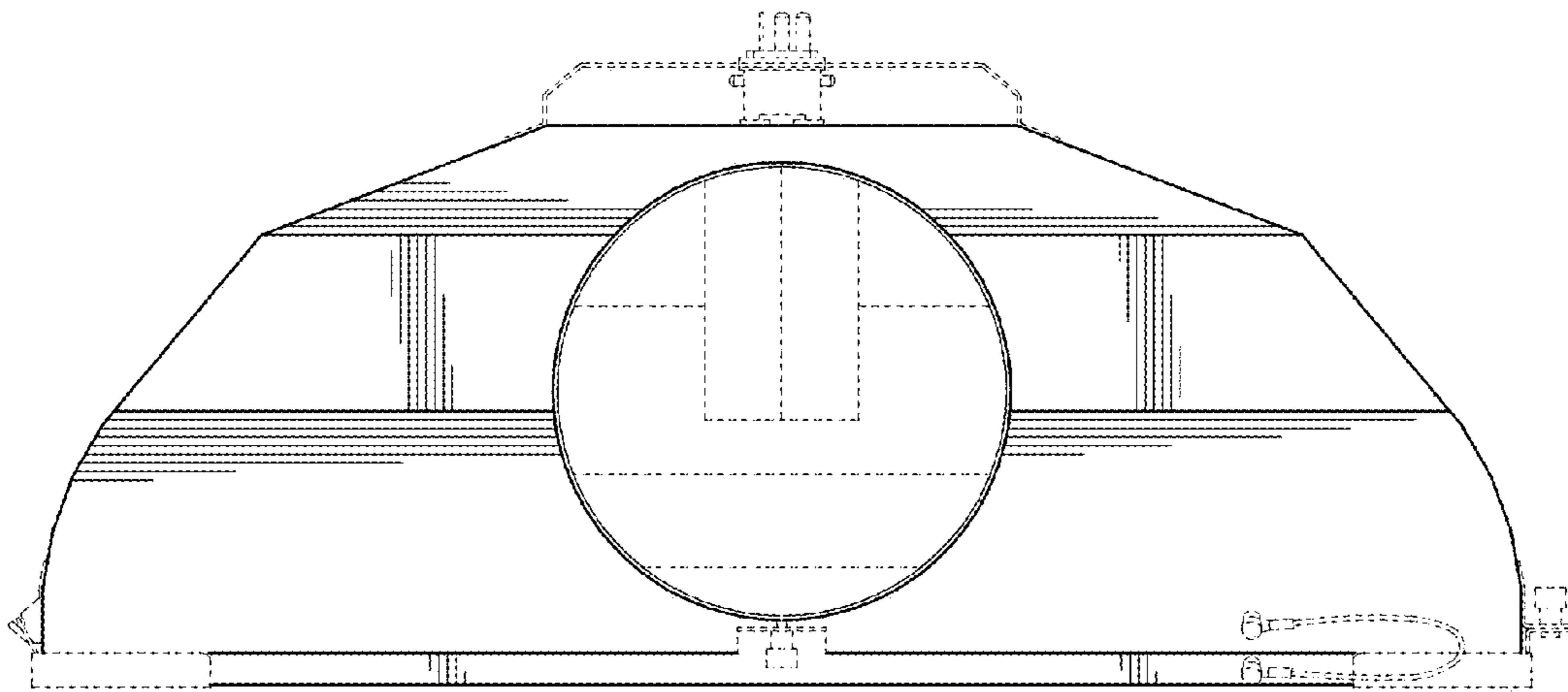


FIG. 5

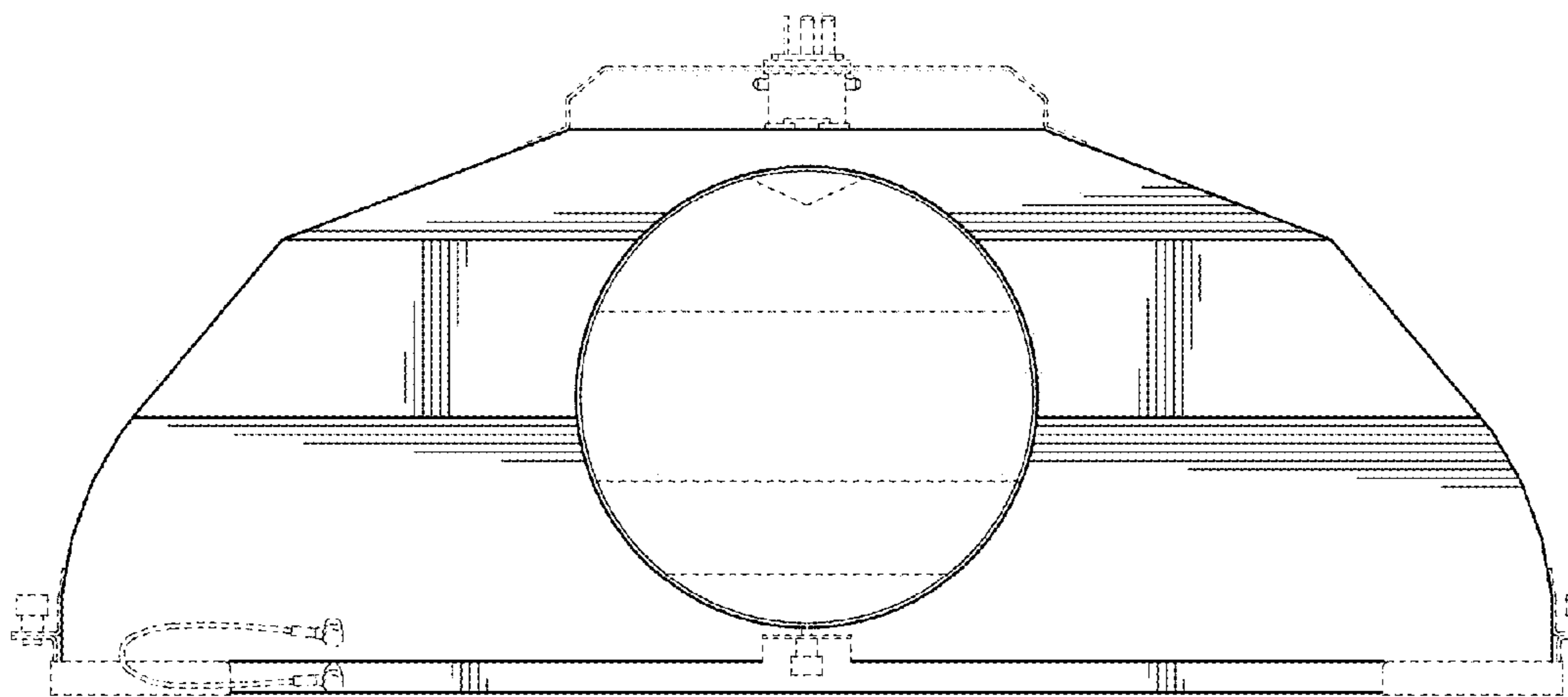


FIG. 6

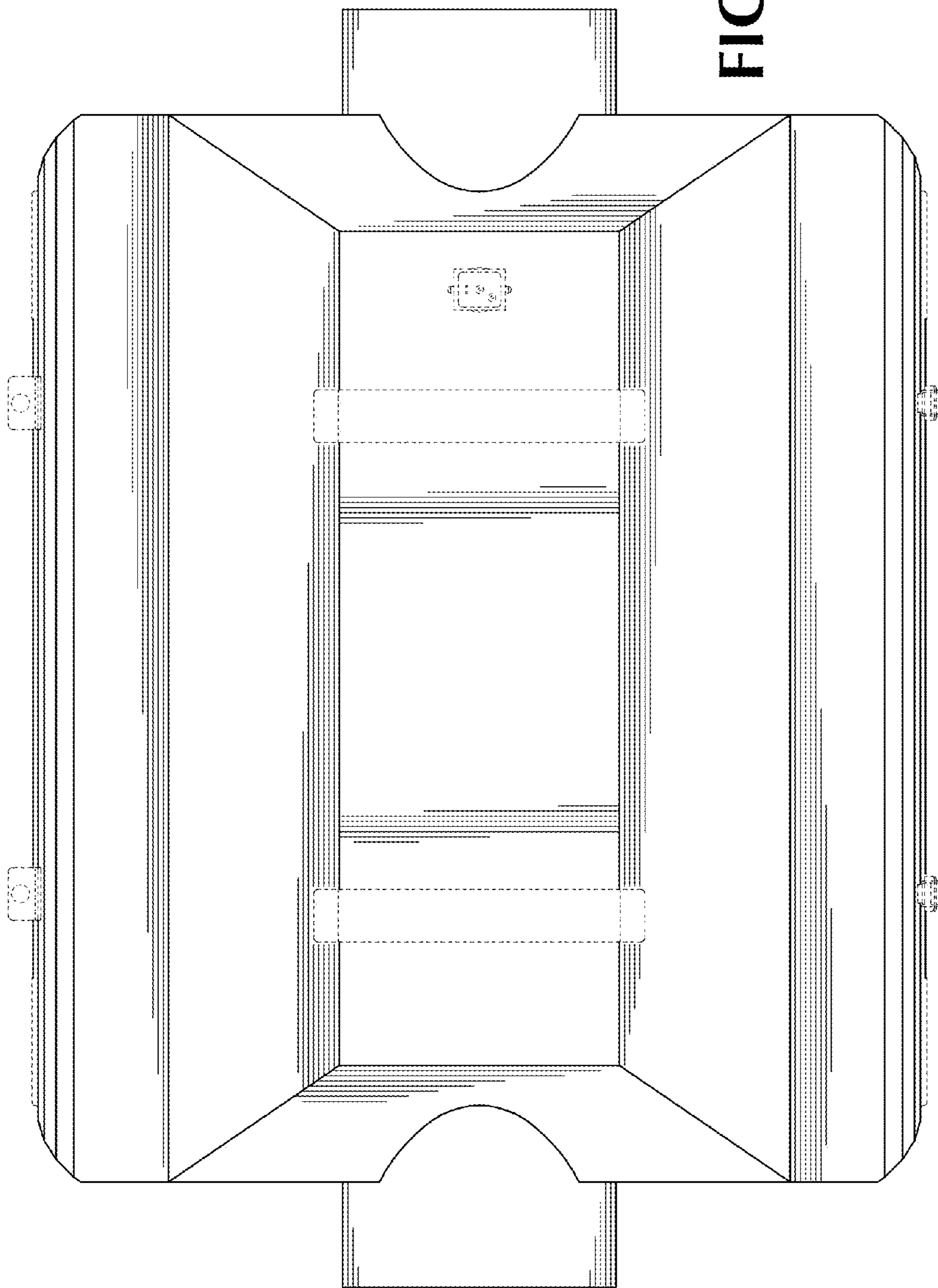


FIG. 7

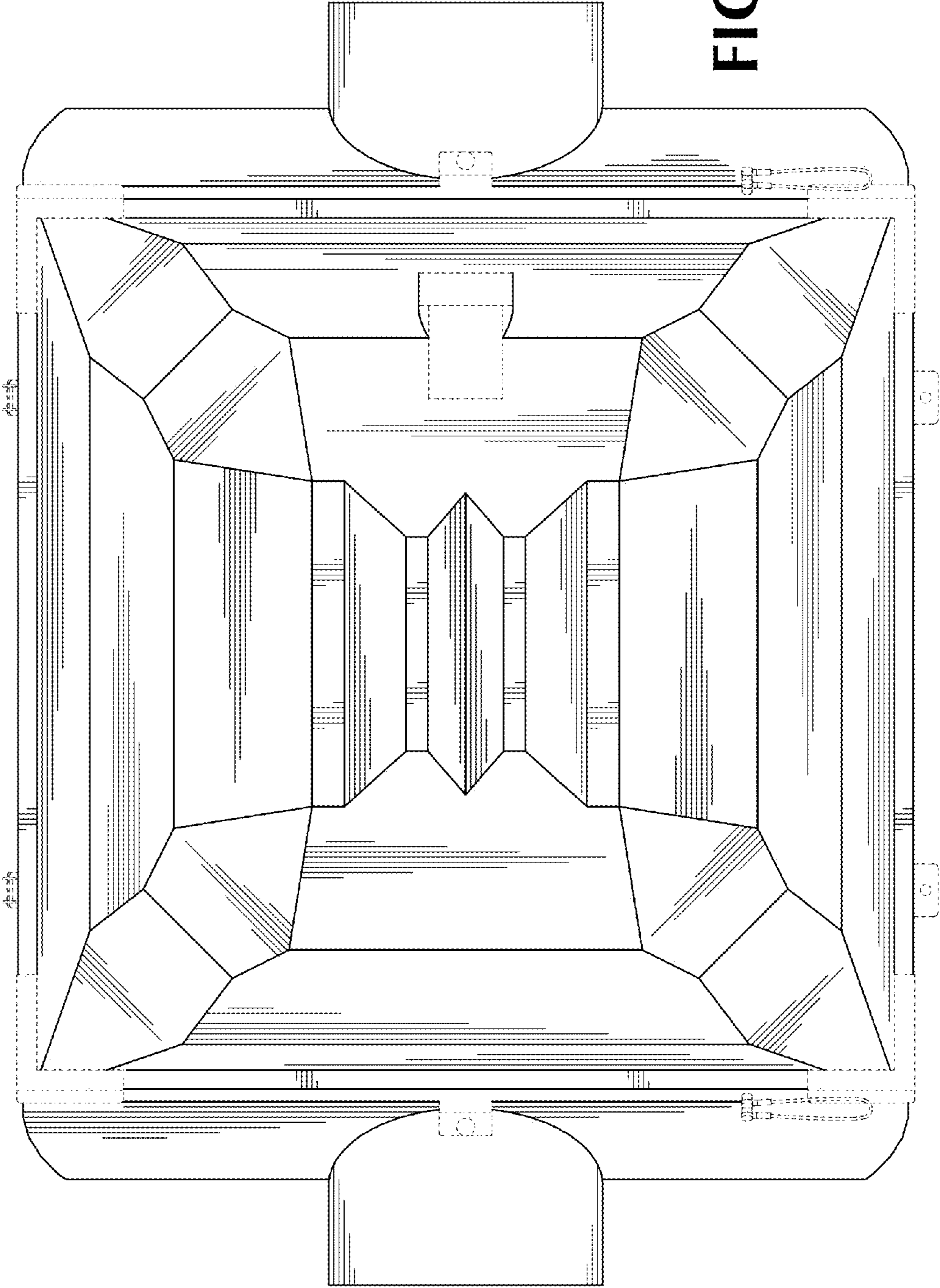


FIG. 8