



US00D748846S

(12) **United States Design Patent**  
**Gunderson et al.**

(10) **Patent No.:** **US D748,846 S**  
(45) **Date of Patent:** **\*\* Feb. 2, 2016**

(54) **LAMP**

(71) Applicant: **Target Brands, Inc.**, Minneapolis, MN (US)

(72) Inventors: **Jennifer J. Gunderson**, St. Paul, MN (US); **Lindsey E. O'Connor**, Eden Prairie, MN (US)

(73) Assignee: **Target Brands, Inc.**, Minneapolis, MN (US)

(\*\*) Term: **14 Years**

(21) Appl. No.: **29/490,407**

(22) Filed: **May 9, 2014**

(51) **LOC (10) Cl.** ..... **26-03**

(52) **U.S. Cl.**  
USPC ..... **D26/110**

(58) **Field of Classification Search**  
USPC ..... D26/1, 4, 93, 94, 99, 10, 106  
CPC ..... F21S 6/00; F21S 6/002; F21S 6/004;  
F21S 6/008; F21S 8/08; F21V 21/00; F21V  
21/02; F21W 2131/30  
See application file for complete search history.

(56) **References Cited**

**U.S. PATENT DOCUMENTS**

D95,524 S \* 5/1935 Laxer ..... D26/94  
D147,590 S \* 9/1947 Klingberg ..... D26/99  
D147,676 S \* 10/1947 MacQuarrie ..... D26/94

D332,837 S \* 1/1993 Kim ..... D26/32  
D429,365 S \* 8/2000 Visser ..... D26/94  
D451,623 S \* 12/2001 Zulloff ..... D26/94  
D580,587 S \* 11/2008 Yando ..... D26/106  
D716,491 S \* 10/2014 Lowery ..... D26/93

**OTHER PUBLICATIONS**

All The Rages, "LimeLights™ Small Heart Lamp w/ Hanging Heart Shaped Crystal," <http://www.alltherages.com/kidslamps.html>, at least as early as Mar. 2014, 1 page.  
Office Action from Canadian Patent Application No. 157,191, mailed Dec. 4, 2014 (1 page).

\* cited by examiner

*Primary Examiner* — Brian N Vinson

(74) *Attorney, Agent, or Firm* — Leanne Taveggia Farrell; Westman, Champlin & Koehler, P.A.

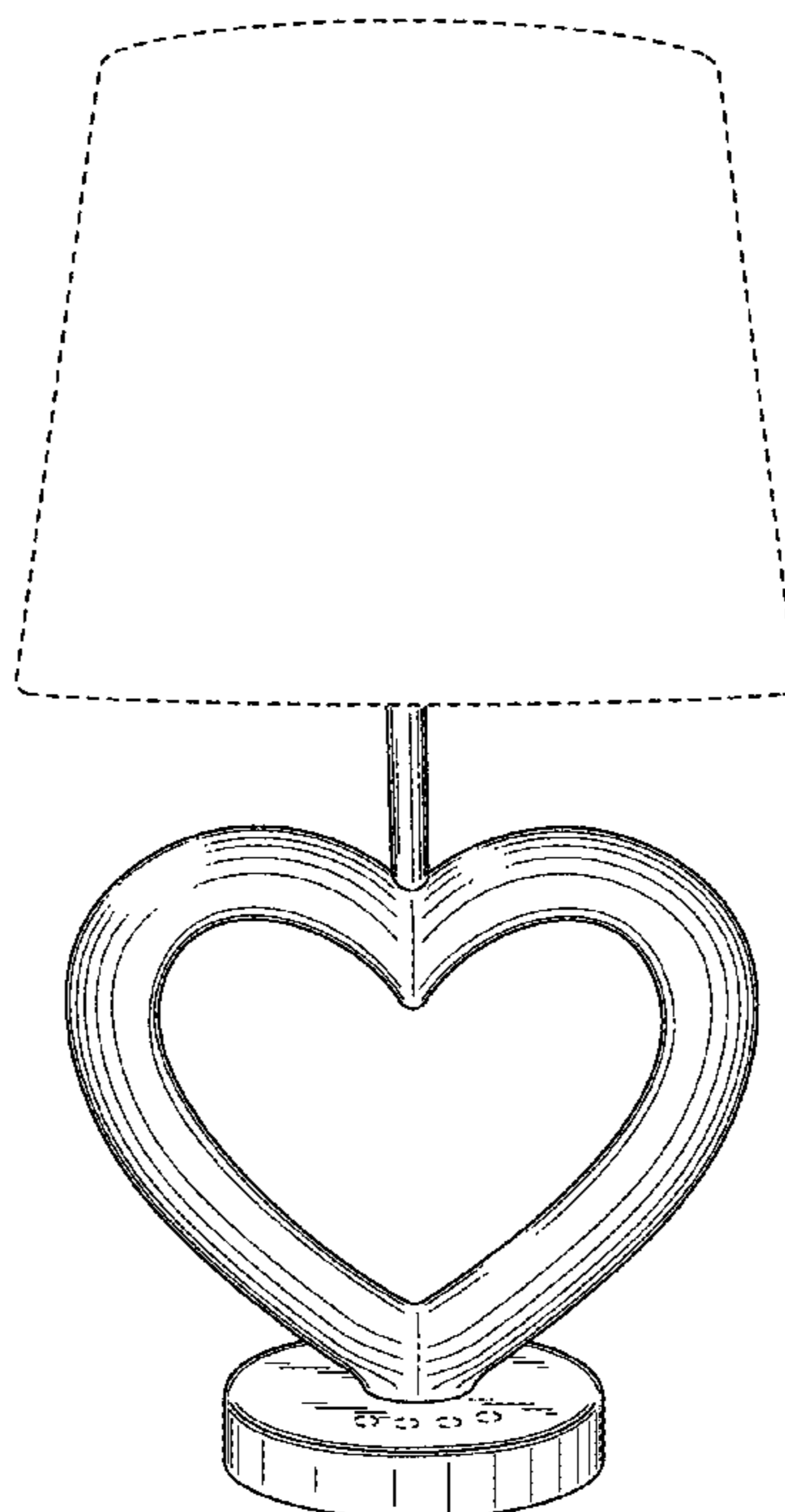
(57) **CLAIM**

The ornamental design for a lamp, as shown and described.

**DESCRIPTION**

FIG. 1 is a perspective view of a lamp showing our new design;  
FIG. 2 is a front view thereof, the back view being identical;  
FIG. 3 is a right side view thereof;  
FIG. 4 is a left side view thereof; and,  
FIG. 5 is a top view thereof.  
The broken lines illustrating portions of the lamp form no part of the claimed design.

**1 Claim, 5 Drawing Sheets**



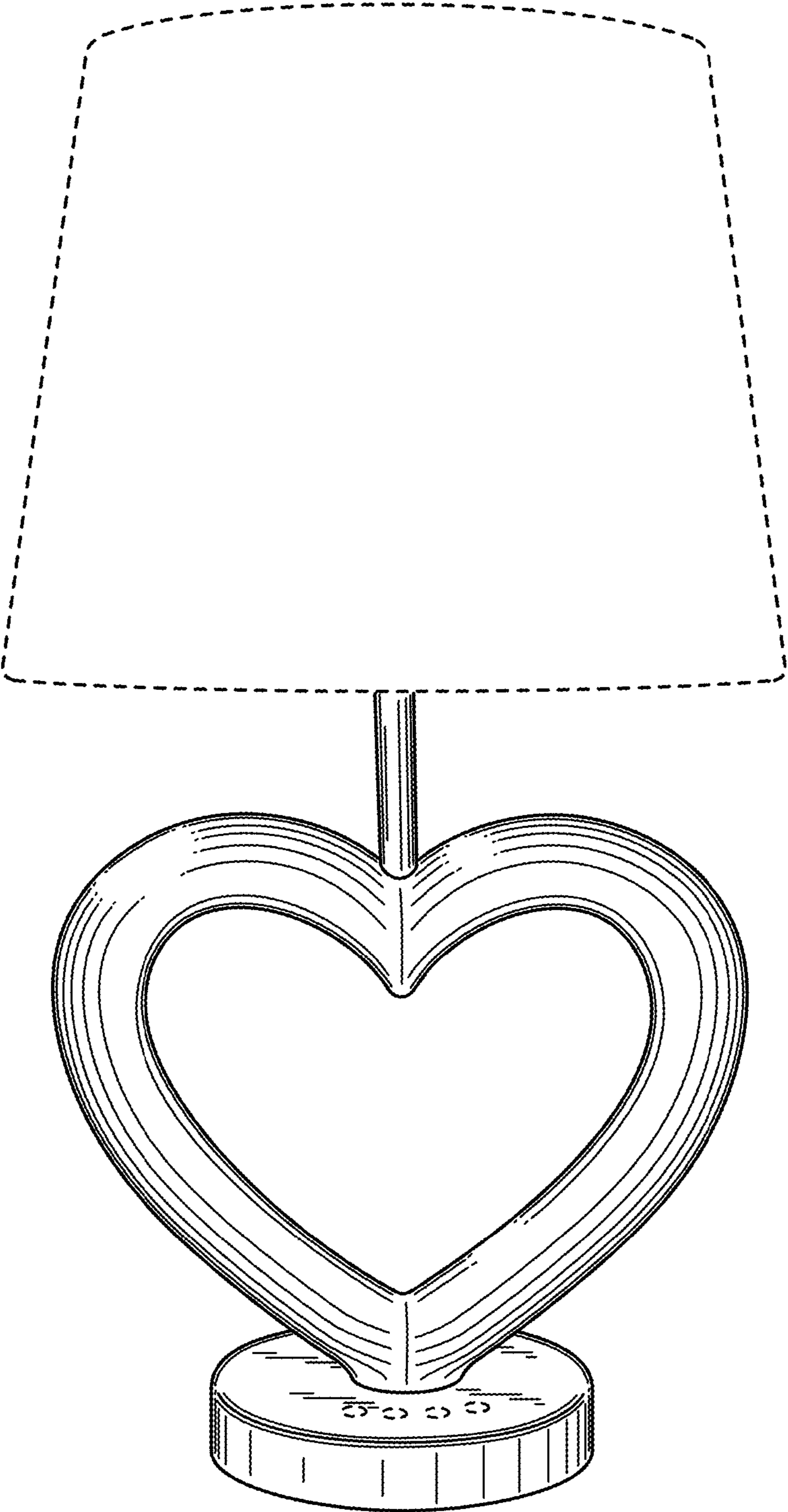


Fig. 1

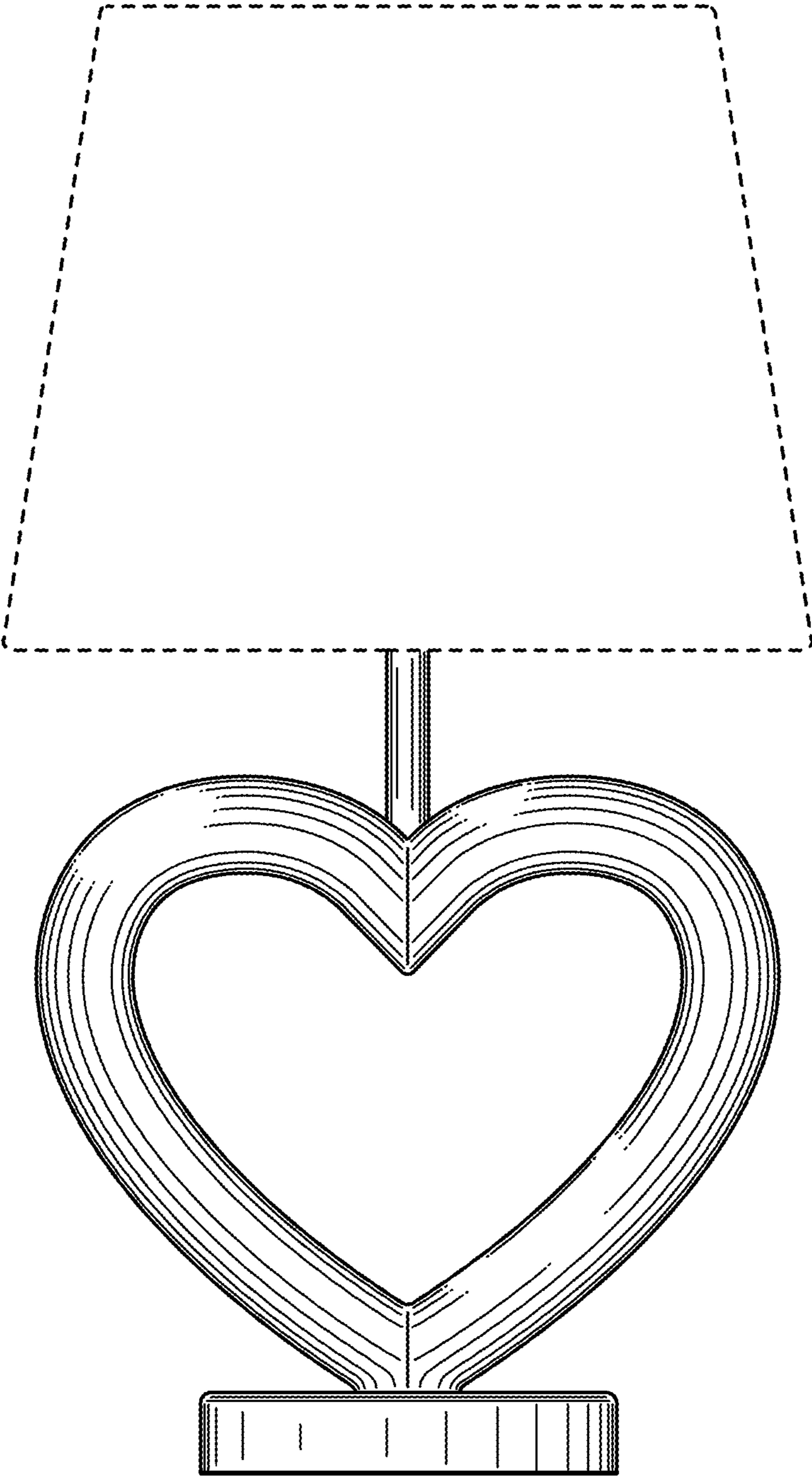


Fig. 2

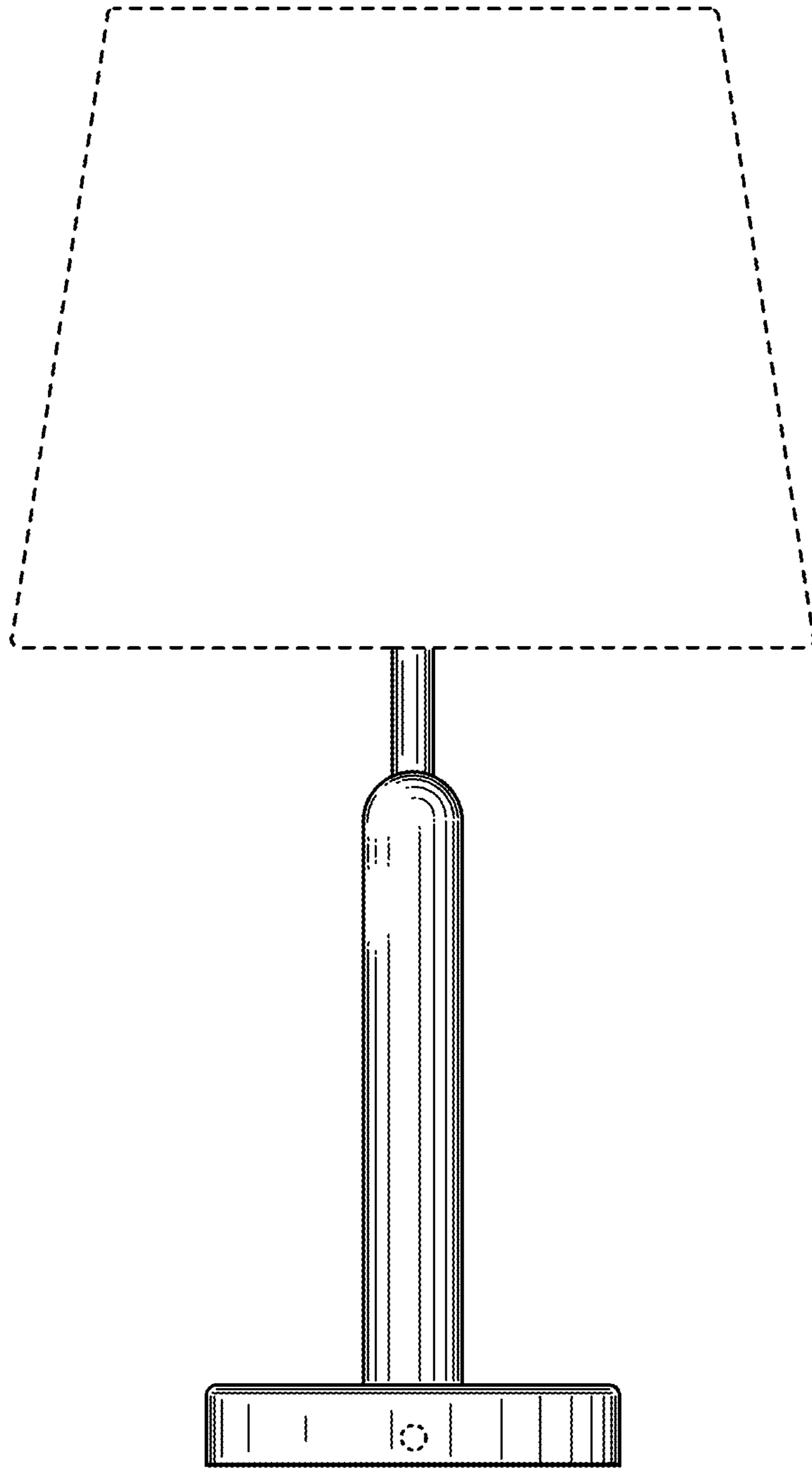


Fig. 3

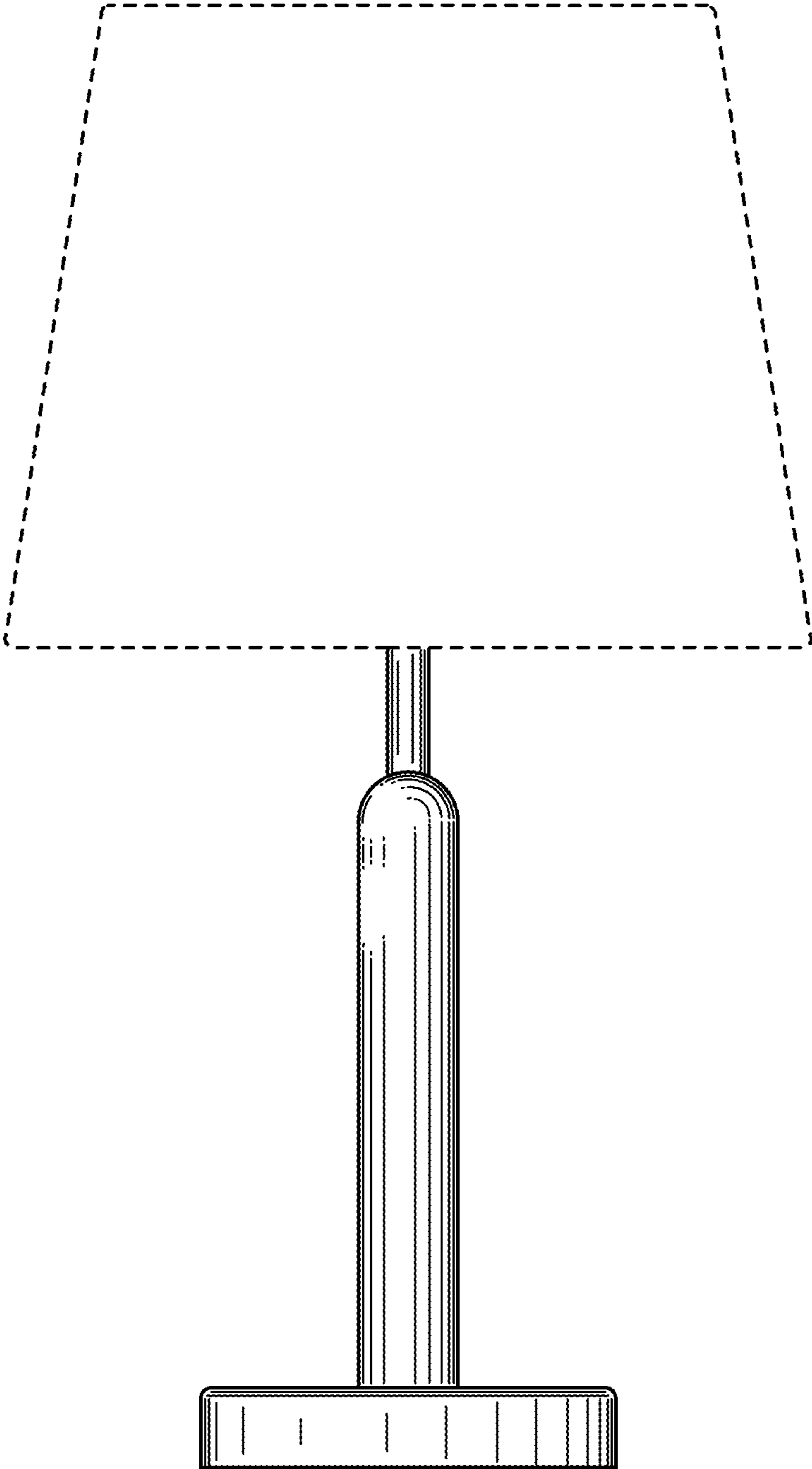


Fig. 4

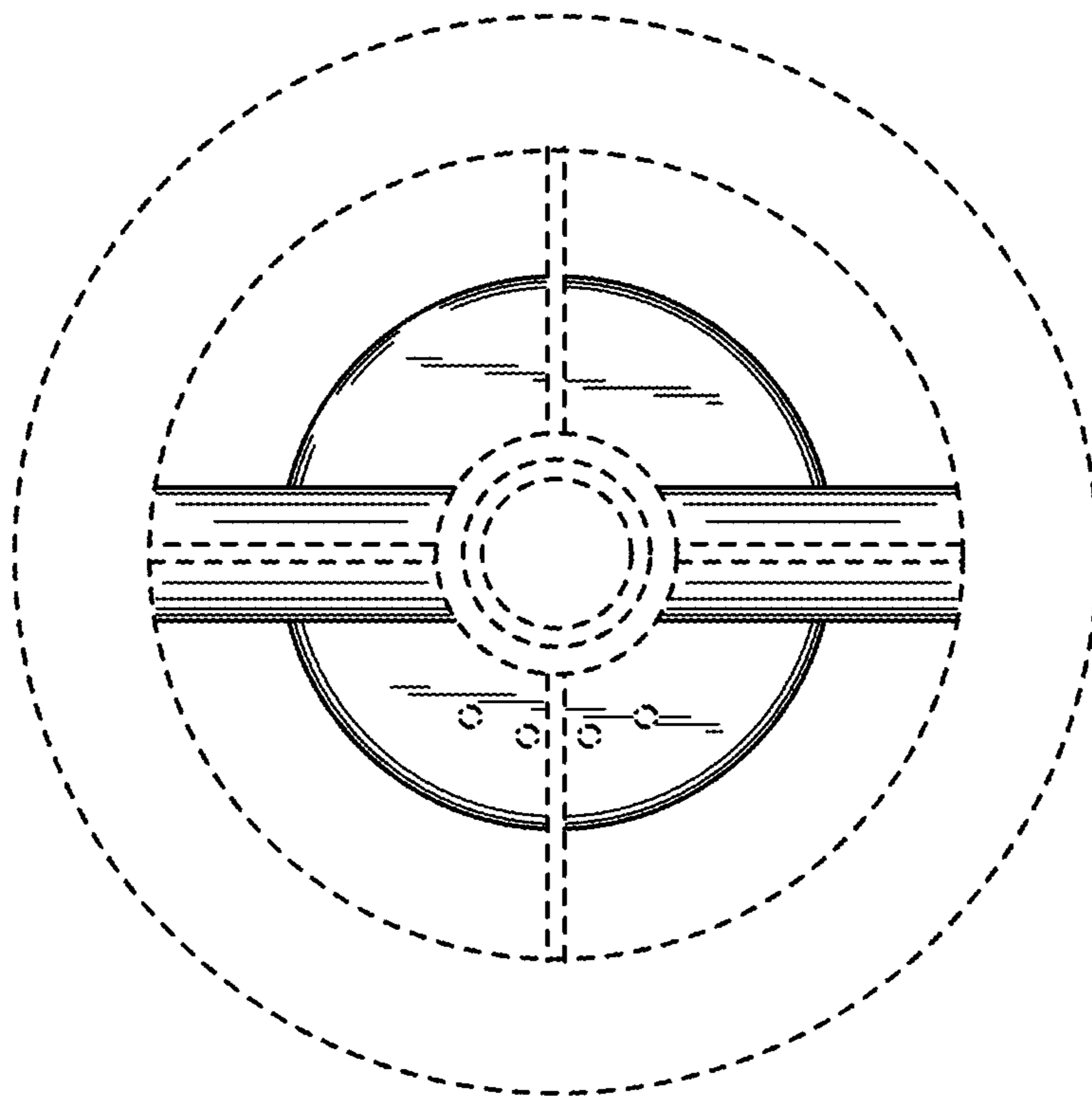


Fig. 5