



US00D748842S

(12) **United States Design Patent**  
**Sakurai et al.**

(10) **Patent No.:** **US D748,842 S**  
(45) **Date of Patent:** **\*\* Feb. 2, 2016**

(54) **LIGHTING FIXTURE**

(71) Applicant: **Nittoh Kogaku K.K.**, Suwa-shi, Nagano (JP)

(72) Inventors: **Kenji Sakurai**, Suwa (JP); **Takashi Iwamoto**, Suwa (JP)

(73) Assignee: **NITTOH KOGAKU K.K.** (JP)

(\*\*) Term: **14 Years**

(21) Appl. No.: **29/510,296**

(22) Filed: **Nov. 26, 2014**

(30) **Foreign Application Priority Data**

May 30, 2014 (JP) ..... D2014-011703

(51) **LOC (10) Cl.** ..... **26-03**

(52) **U.S. Cl.**

USPC ..... **D26/89**

(58) **Field of Classification Search**

USPC ..... D26/72, 85, 89, 118, 120

CPC ..... F21S 8/03; F21S 8/033; F21S 8/04;

F21V 3/04; F21V 3/0418; F21V 3/0427;

F21V 3/0436; F21V 3/0445; F21V 21/02;

F21V 21/03; F21V 29/506; F21V 3/049;

F21V 5/045; F21V 7/04; F21V 11/06

See application file for complete search history.

(56) **References Cited**

**U.S. PATENT DOCUMENTS**

3,358,408 A \* 12/1967 Cooper, Jr. .... E04C 2/54  
52/202

D213,464 S \* 3/1969 Meyer ..... D26/89

6,771,021 B2 \* 8/2004 Cok ..... F21V 3/00  
313/511

D595,450 S \* 6/2009 Ko ..... D26/120

D602,193 S \* 10/2009 Soderman ..... D26/89

7,607,793 B2 \* 10/2009 Coushaine ..... F21V 33/006  
362/145

7,736,018 B2 \* 6/2010 Ladstaetter ..... F21S 8/04  
362/240

D632,007 S \* 2/2011 Kim ..... D26/120

D634,055 S \* 3/2011 Hokazono ..... D26/89

D640,821 S \* 6/2011 Kocks ..... D26/89

D655,853 S \* 3/2012 Kim ..... D26/89

D656,654 S \* 3/2012 Wauters ..... D26/89

8,292,448 B2 \* 10/2012 Kim ..... F21S 2/005  
362/311.02

8,348,489 B2 \* 1/2013 Holman ..... G02B 6/0028  
313/508

8,444,286 B2 \* 5/2013 Yasuoka ..... F21S 8/04  
362/147

D717,990 S \* 11/2014 Nakai ..... D26/120

9,028,089 B2 \* 5/2015 Kotera ..... F21V 27/00  
362/147

**OTHER PUBLICATIONS**

Contempra Satin Nickel 4-Light Ceiling Light, found at eurostylelighting.com visited Aug. 5, 2010.\*

Square Collection Ceiling/Wall Light, found at eurostylelighting.com visited Aug. 5, 2010.\*

Japanese Notice of Reasons for Rejection corresponding to Design application No. 2014-011703; Mailing date Nov. 28, 2014, with English translation.

\* cited by examiner

*Primary Examiner* — Clare E Heflin

(74) *Attorney, Agent, or Firm* — Cantor Colburn LLP

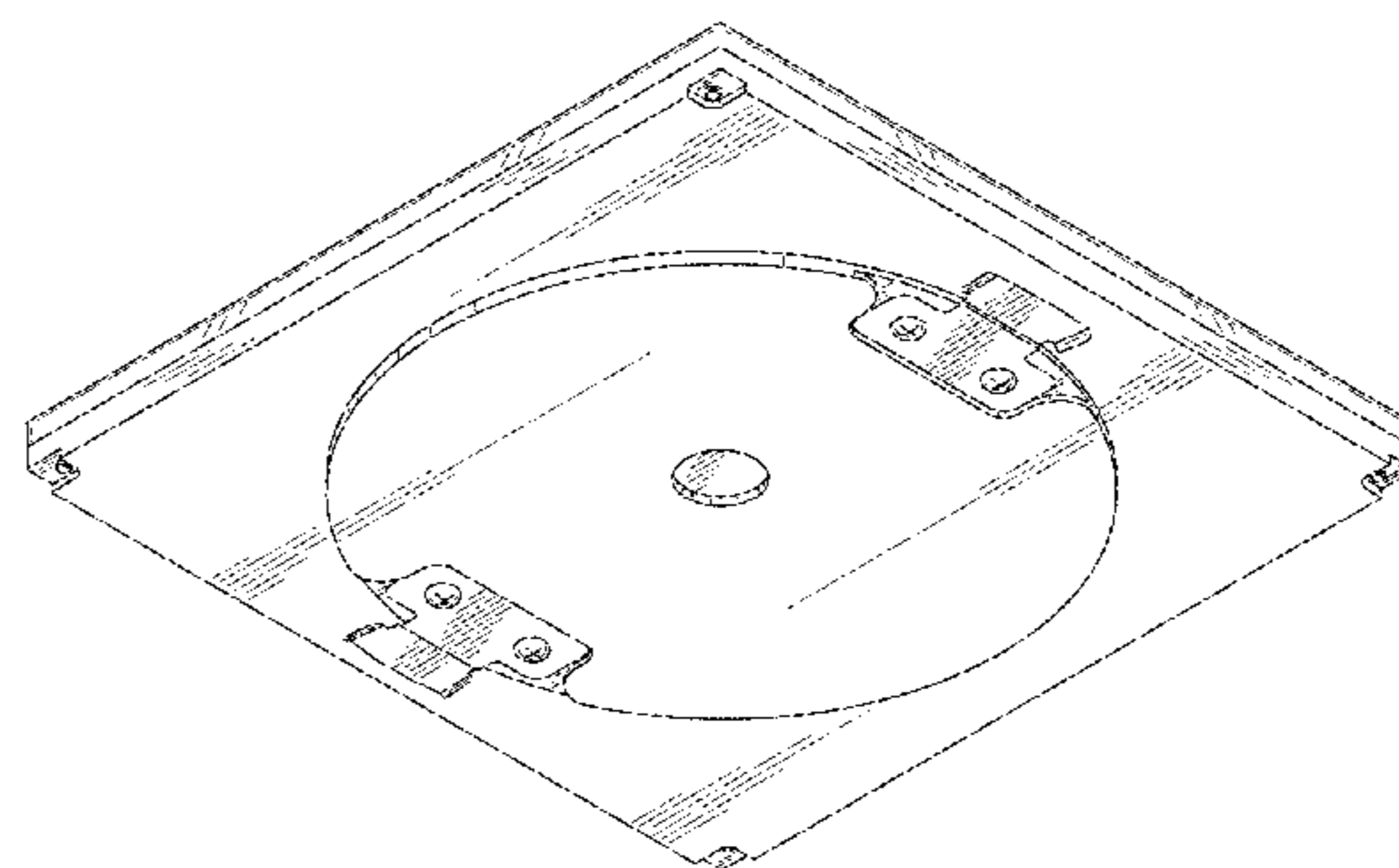
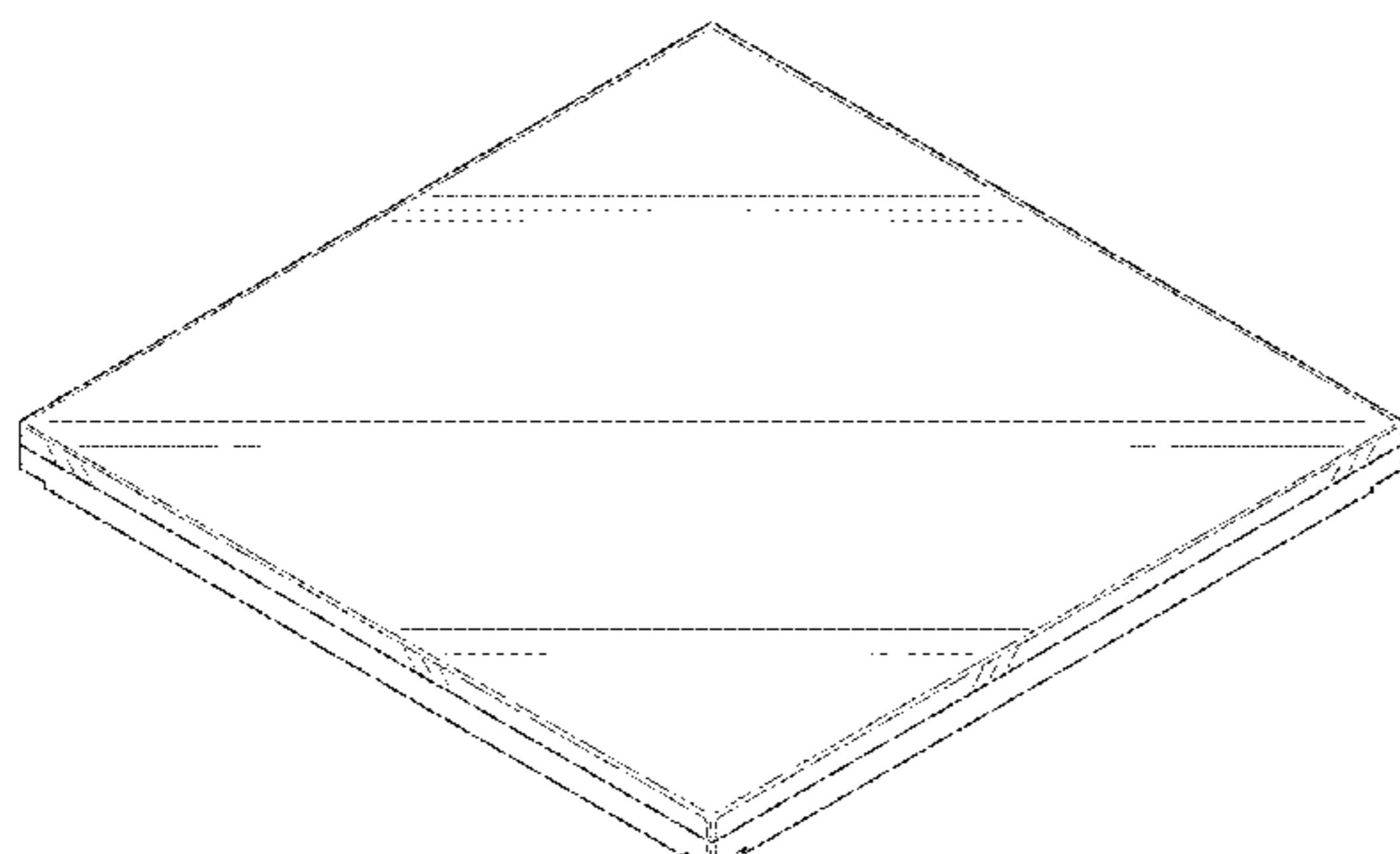
(57) **CLAIM**

We claim the ornamental design for a lighting fixture, as shown and described.

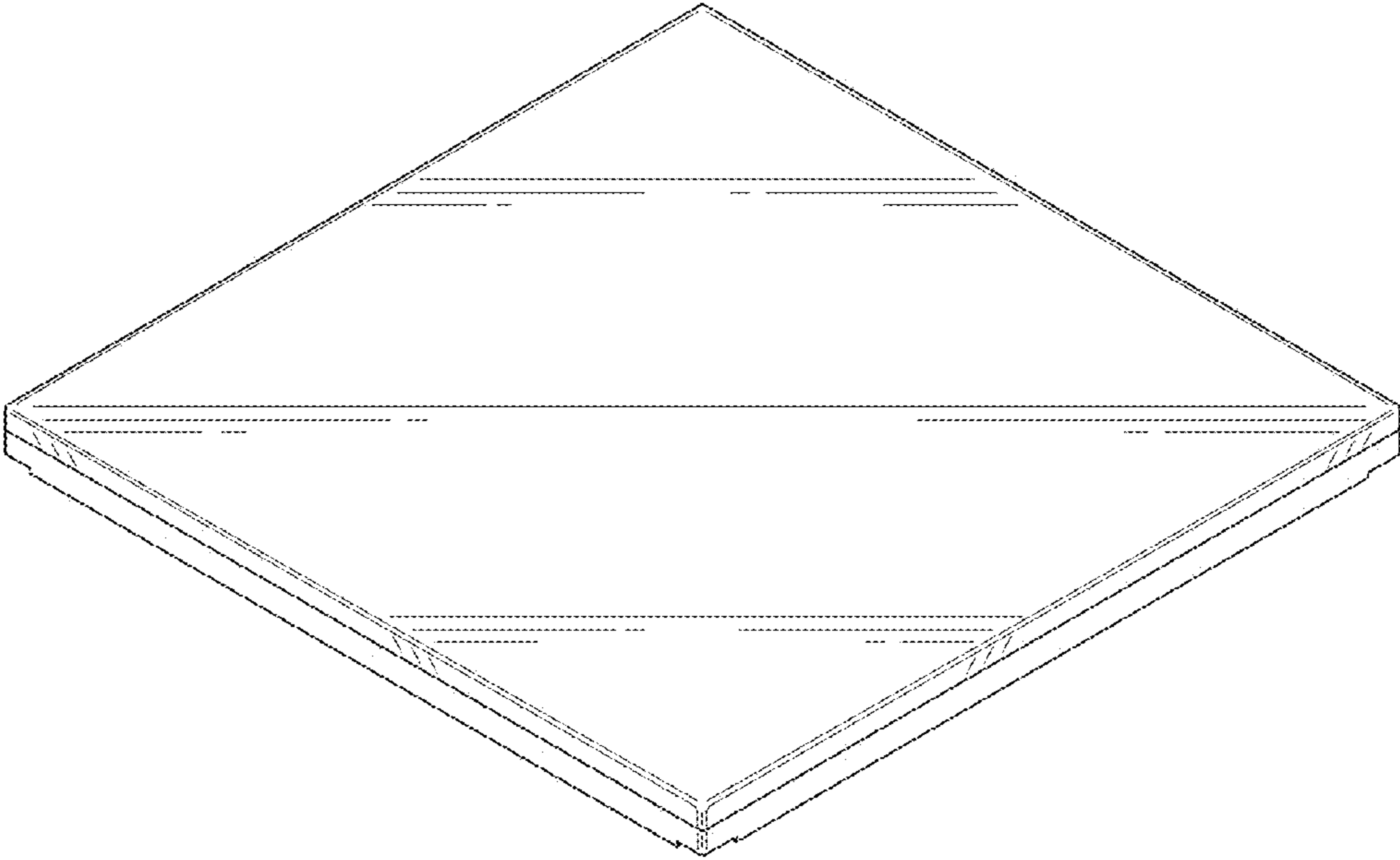
**DESCRIPTION**

FIG. 1 is a front perspective view of a lighting fixture.  
FIG. 2 is a rear perspective view of the lighting fixture;  
FIG. 3 is a front view of the lighting fixture;  
FIG. 4 is a rear view of the lighting fixture;  
FIG. 5 is a left side view of the lighting fixture;  
FIG. 6 is a right side view of the lighting fixture;  
FIG. 7 is a top view of the lighting fixture;  
FIG. 8 is a bottom view of the lighting fixture;  
FIG. 9 is an enlarged view of segment 9 on FIG. 8; and,  
FIG. 10 is an enlarged view of segment 10 on FIG. 6.

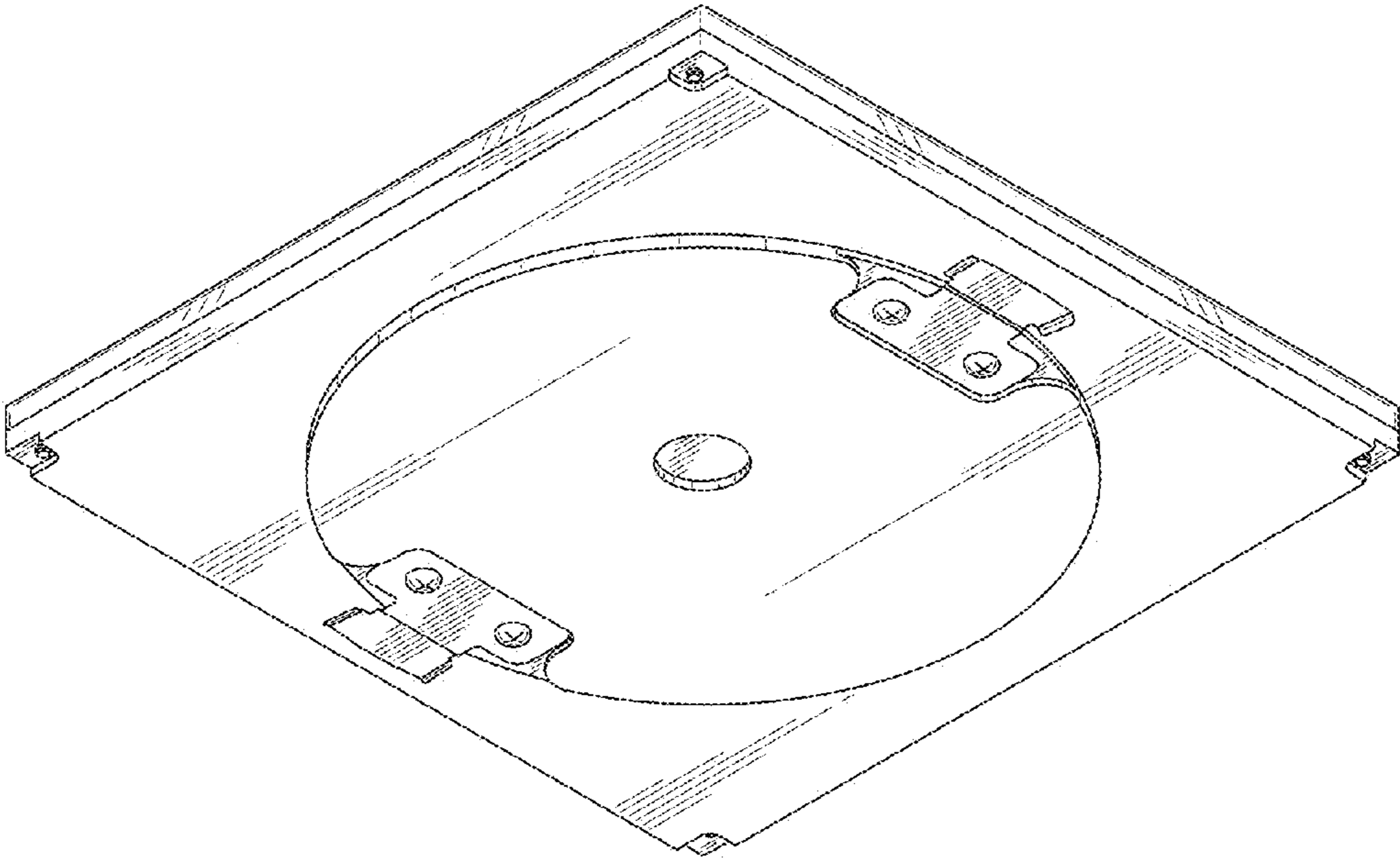
**1 Claim, 7 Drawing Sheets**



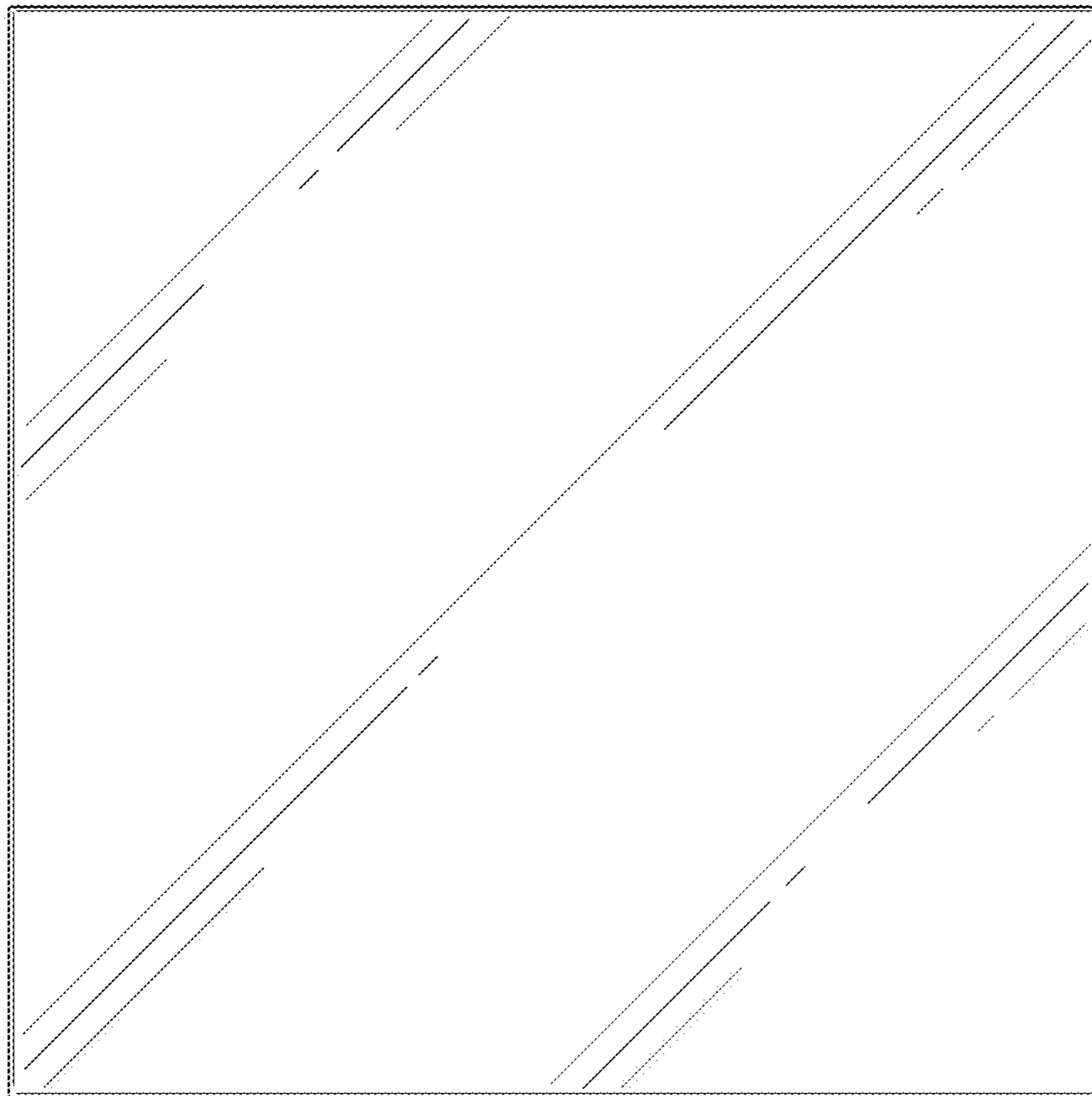
*FIG. 1*



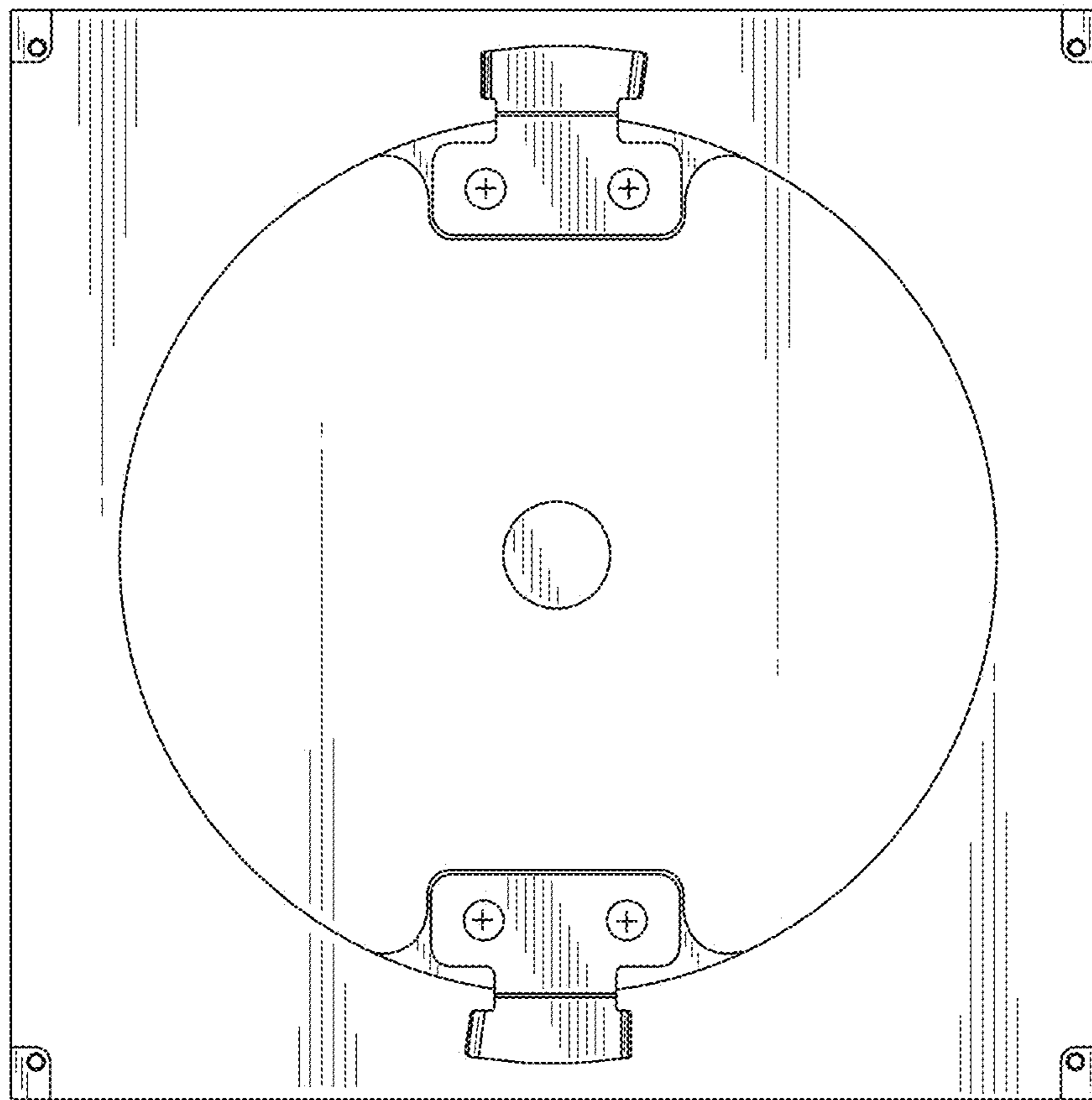
**FIG. 2**



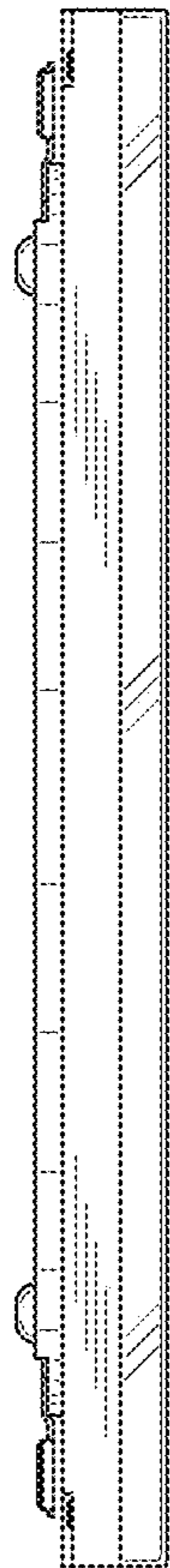
***FIG. 3***



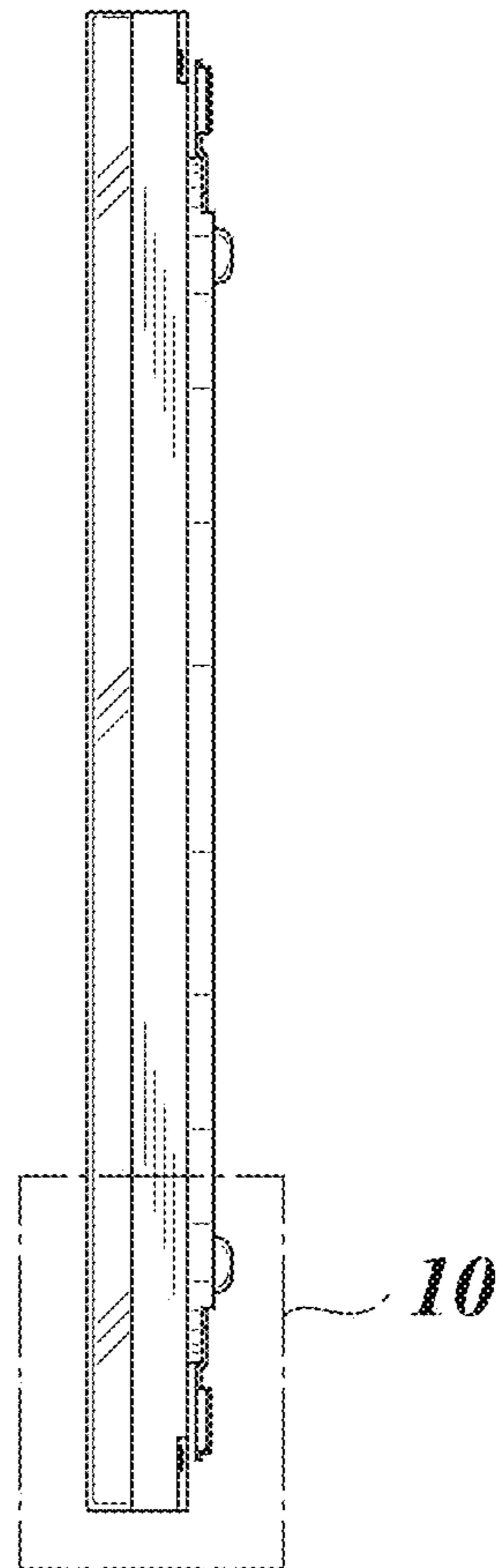
*FIG. 4*



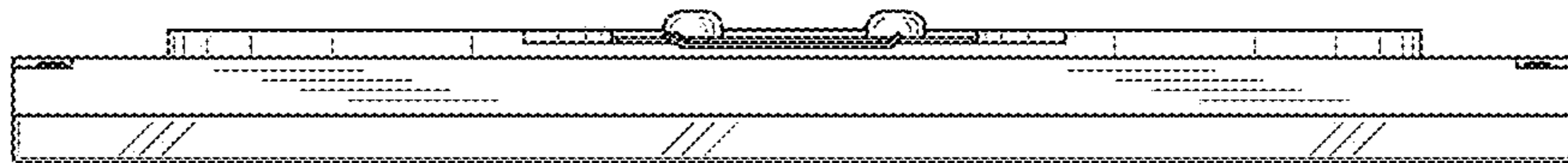
**FIG. 5**



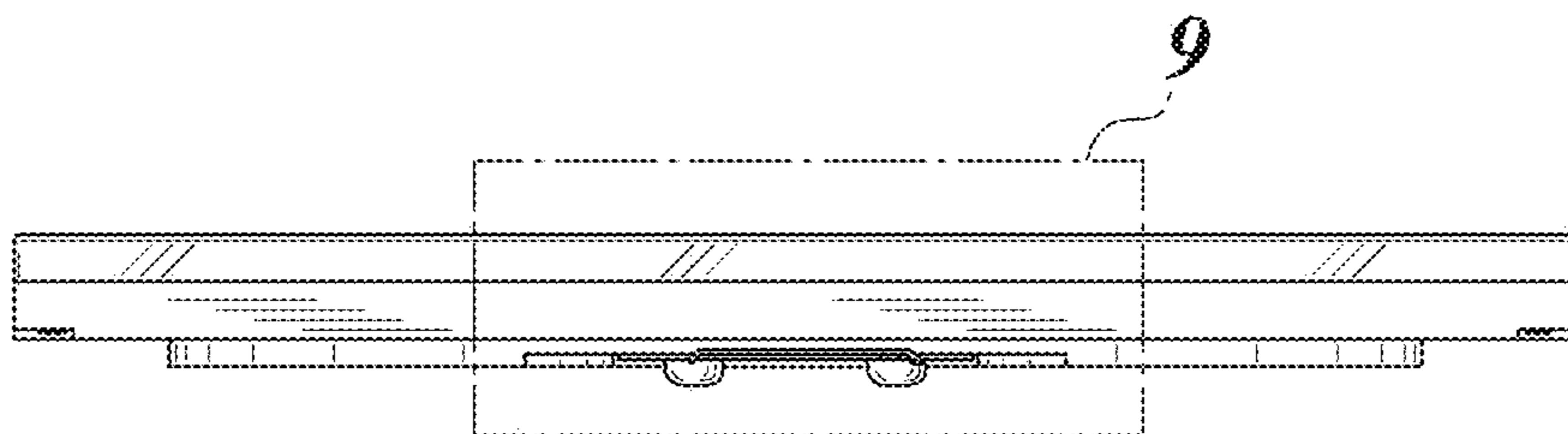
**FIG. 6**



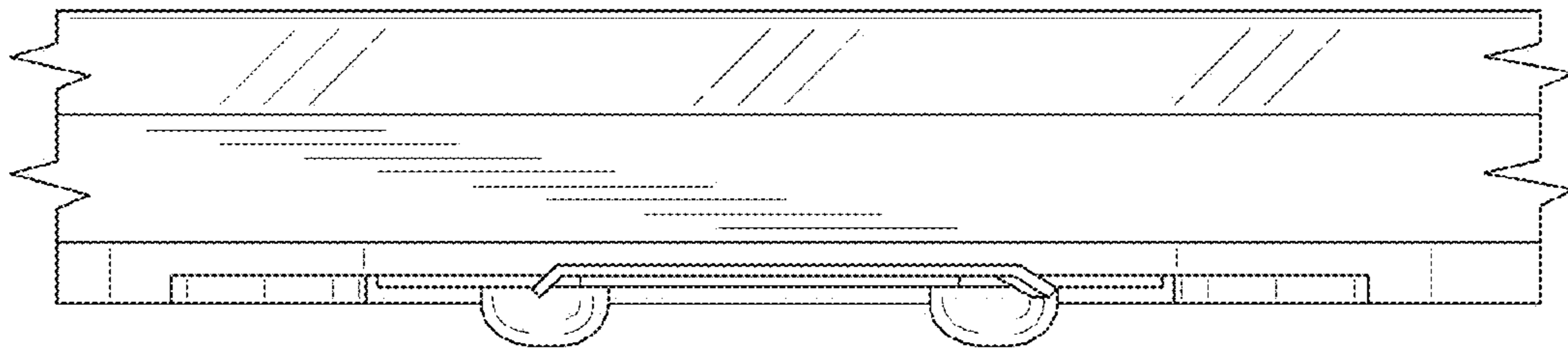
**FIG. 7**



**FIG. 8**



**FIG. 9**



**FIG. 10**

