



US00D748840S

(12) **United States Design Patent**  
**Lee**

(10) **Patent No.:** **US D748,840 S**  
(45) **Date of Patent:** **\*\* Feb. 2, 2016**

- (54) **CEILING LIGHT FIXTURE**
- (71) Applicant: **LUMENS CO., LTD**, Gyeonggi-do (KR)
- (72) Inventor: **Changmin Lee**, Yongin-si (KR)
- (73) Assignee: **LUMENS CO., LTD**, Gyeonggi-do (KR)
- (\*\*) Term: **14 Years**
- (21) Appl. No.: **29/496,093**
- (22) Filed: **Jul. 9, 2014**

(30) **Foreign Application Priority Data**

May 27, 2014 (KR) ..... 30-2014-0026018

- (51) **LOC (10) Cl.** ..... **26-03**
- (52) **U.S. Cl.**  
USPC ..... **D26/89; D26/2**

- (58) **Field of Classification Search**  
USPC ..... D26/2, 72, 85, 89, 118, 128-137  
CPC ..... F21S 8/03; F21S 8/033; F21S 8/04;  
F21V 3/04; F21V 3/0418; F21V 3/0427;  
F21V 3/0436; F21V 3/0445; F21V 21/02;  
F21V 21/03; F21V 29/506; F21V 3/049;  
F21V 5/045; F21V 7/04; F21V 11/06  
See application file for complete search history.

(56) **References Cited**

**U.S. PATENT DOCUMENTS**

- D60,311 S \* 2/1922 Blackwell ..... D26/89
- 2,166,646 A \* 7/1939 Sibbert ..... F21V 11/06  
12/147 R
- D657,088 S \* 4/2012 Miro ..... D26/85

- D668,811 S \* 10/2012 Peter ..... D26/89
- D673,320 S \* 12/2012 Guercio ..... D26/89
- D676,981 S \* 2/2013 Pickard ..... D26/2
- 8,414,164 B2 \* 4/2013 Ogawa ..... F21S 8/043  
362/294
- 8,496,341 B2 \* 7/2013 Kawata ..... F21V 5/004  
362/231
- 8,573,802 B2 \* 11/2013 Hong ..... F21V 7/0008  
362/241
- 8,662,712 B2 \* 3/2014 Kraus ..... F21V 3/02  
362/249.02
- D716,973 S \* 11/2014 Jia ..... D26/2
- 8,985,816 B2 \* 3/2015 Guercio ..... F21V 29/004  
362/147
- 9,121,554 B2 \* 9/2015 Shimizu ..... F21V 5/045

\* cited by examiner

*Primary Examiner* — Clare E Heflin

(74) *Attorney, Agent, or Firm* — Ladas & Parry LLP

(57) **CLAIM**

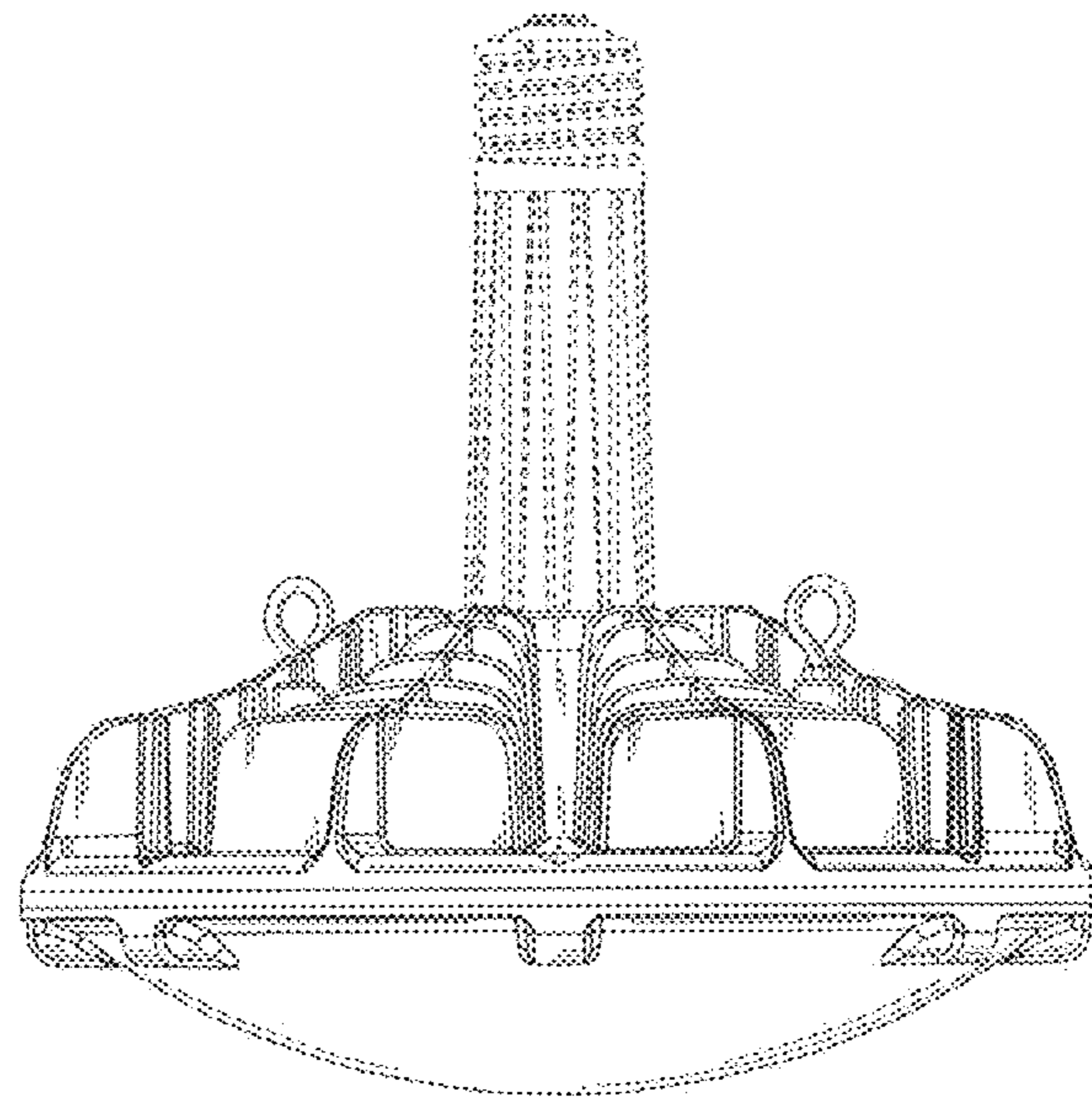
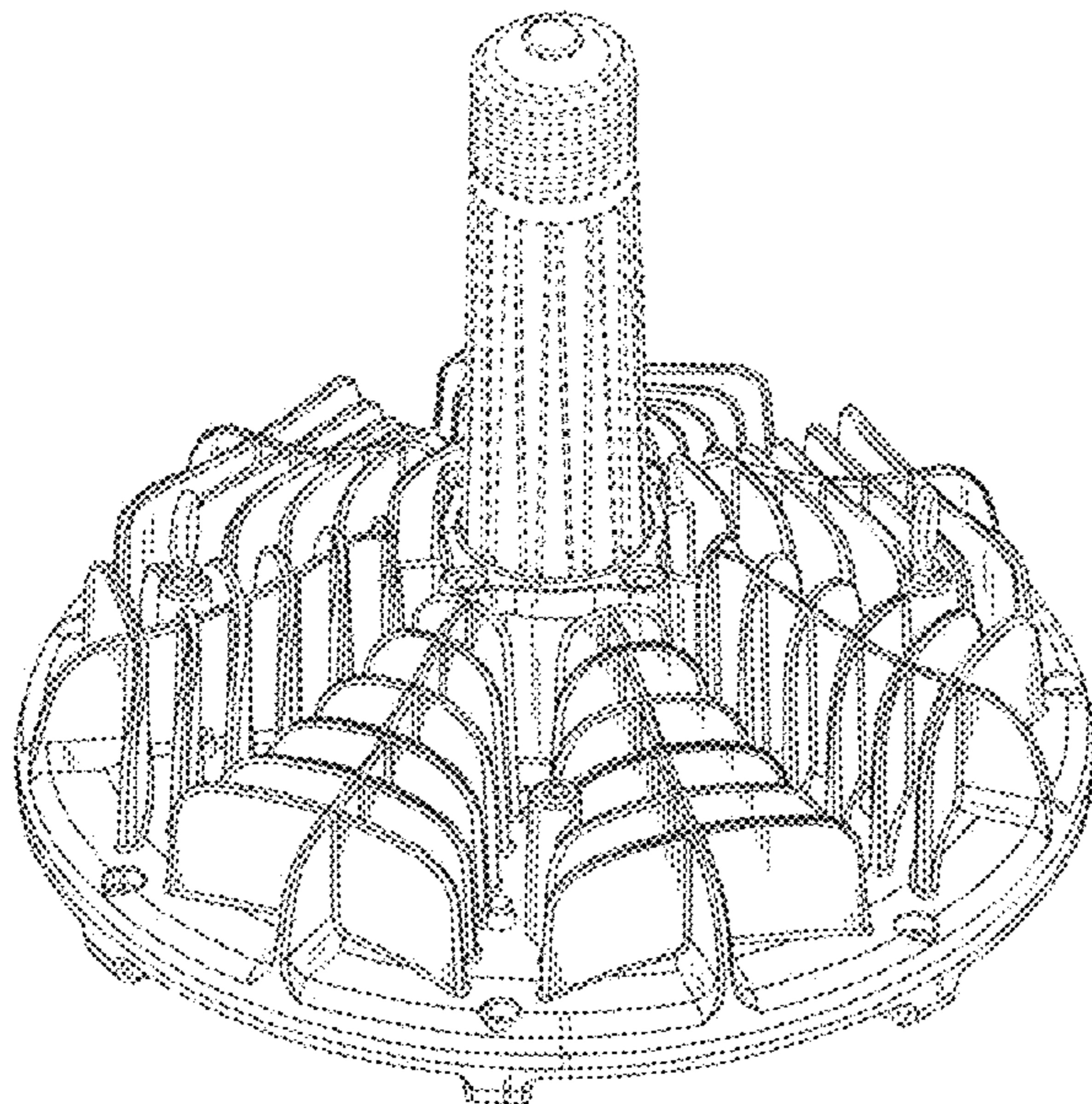
We claim the ornamental design for a ceiling light fixture, as shown and described.

**DESCRIPTION**

FIG. 1 is a perspective view of a ceiling light fixture in accordance with the present design;  
 FIG. 2 is a front view thereof;  
 FIG. 3 is a rear view thereof;  
 FIG. 4 is a left side view of thereof;  
 FIG. 5 is a right side view thereof.  
 FIG. 6 is a top view thereof; and,  
 FIG. 7 is a bottom view thereof.

In the drawings, the broken lines depict unclaimed subject matter only and form no part of the claimed design.

**1 Claim, 7 Drawing Sheets**



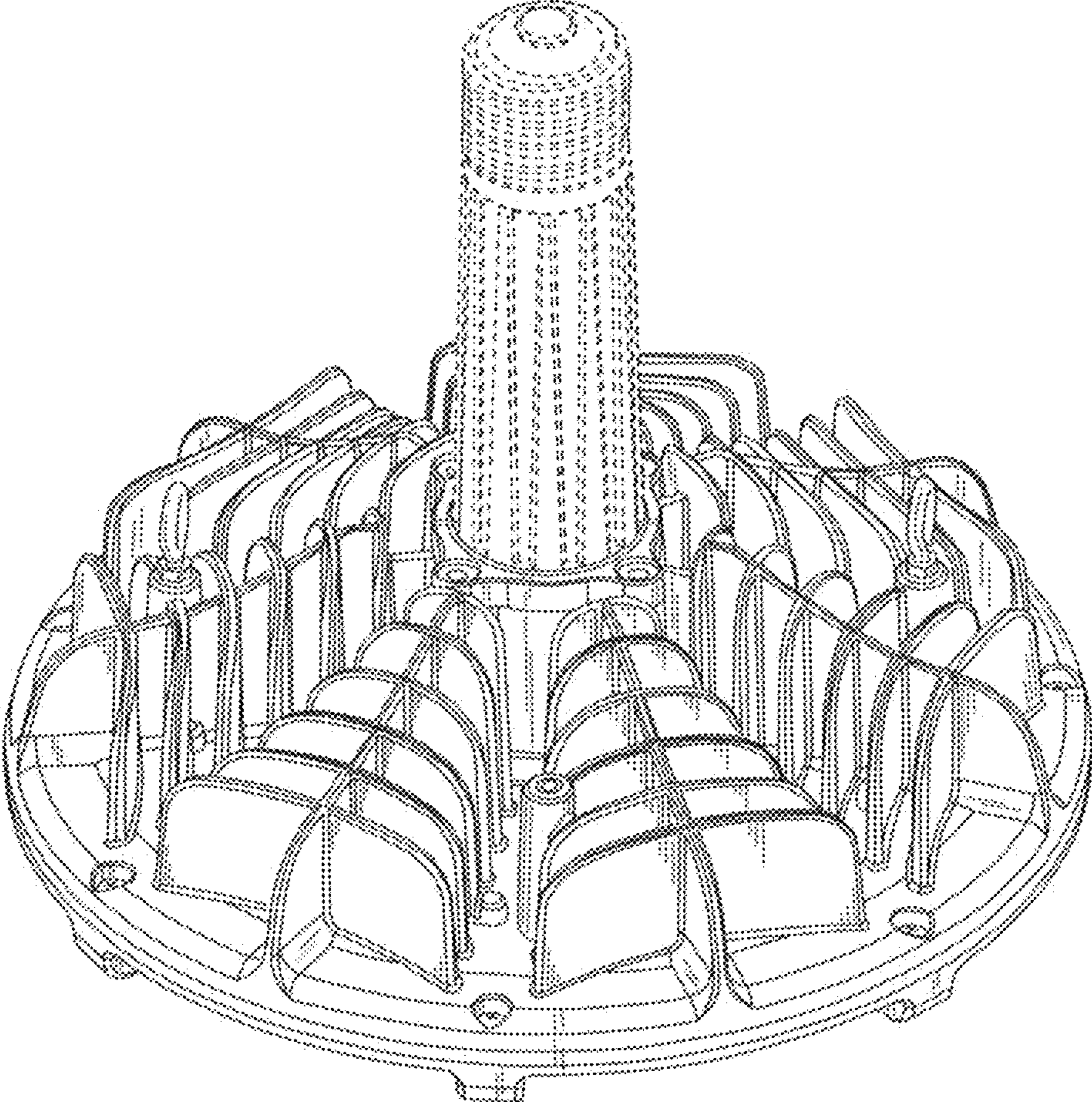


FIG. 1

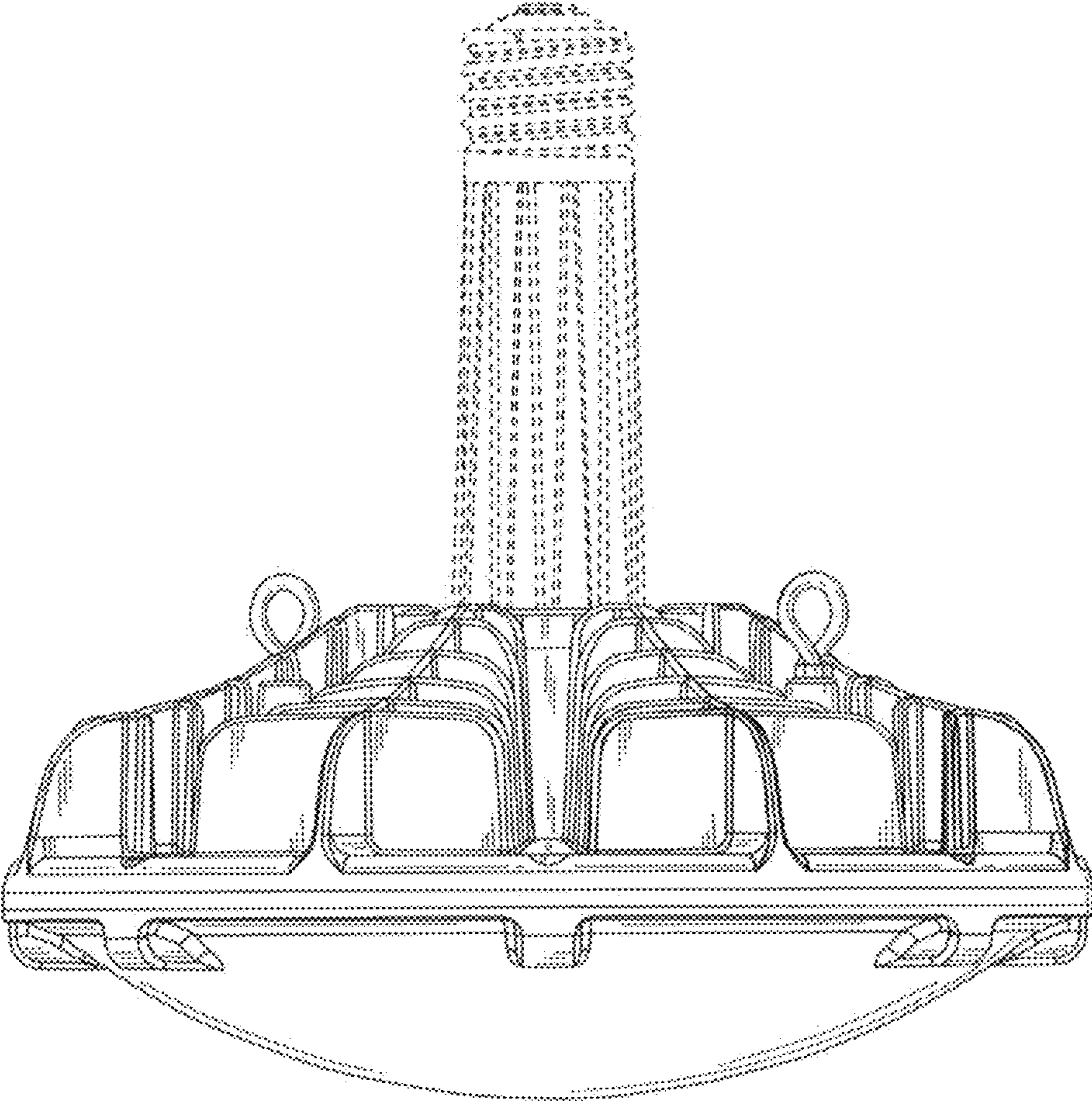


FIG. 2

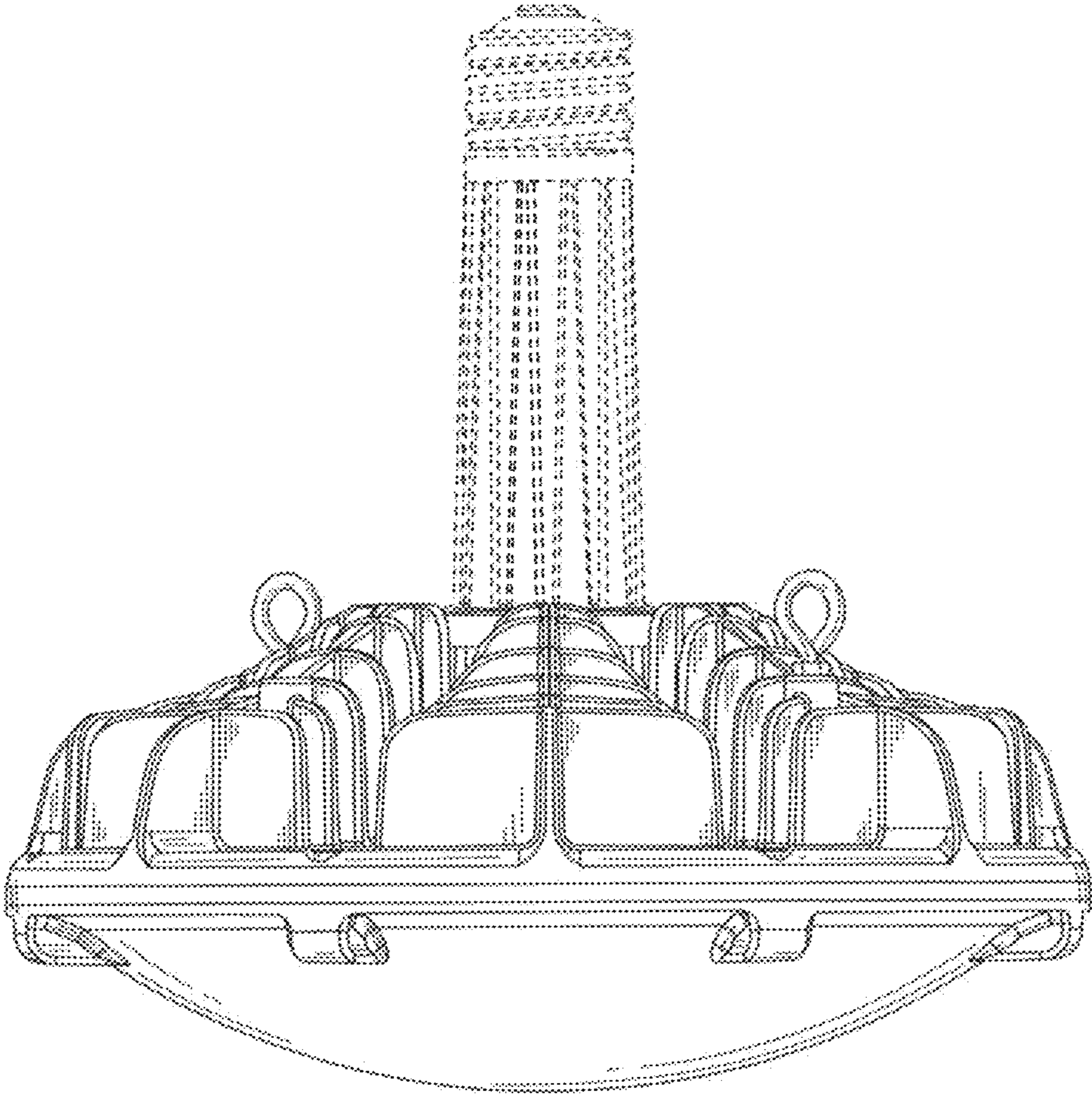
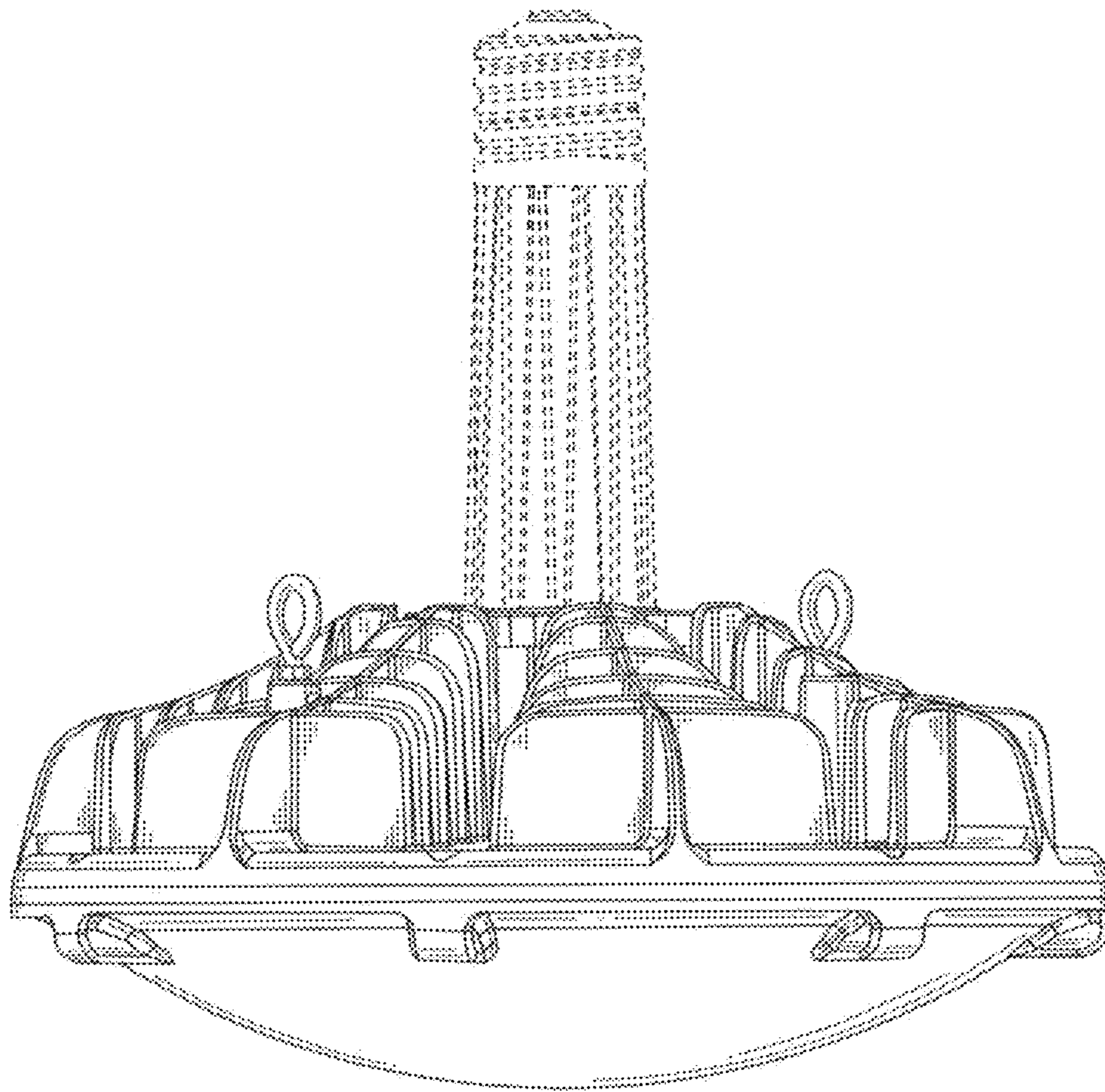


FIG. 3



**FIG. 4**

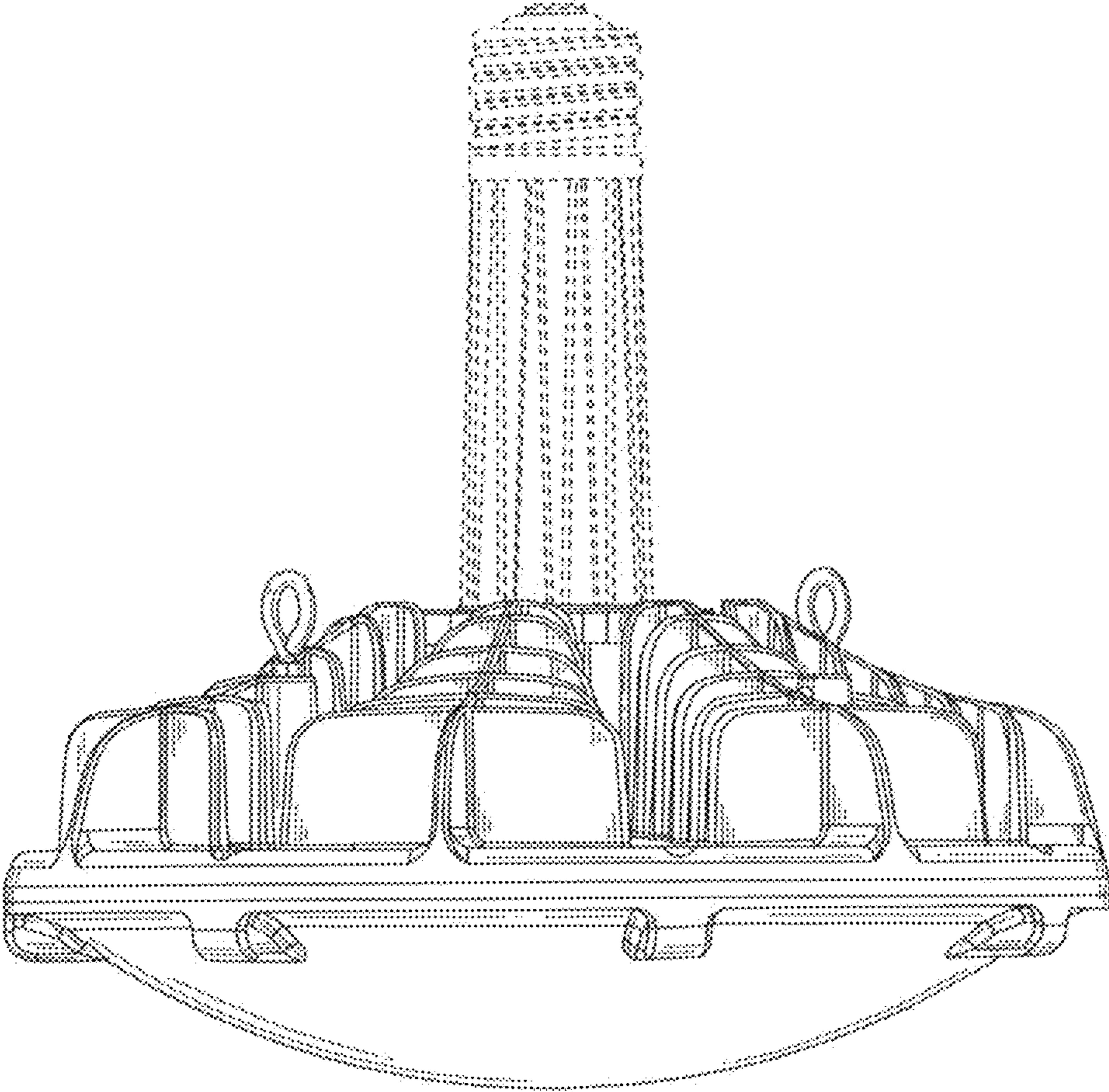


FIG. 5

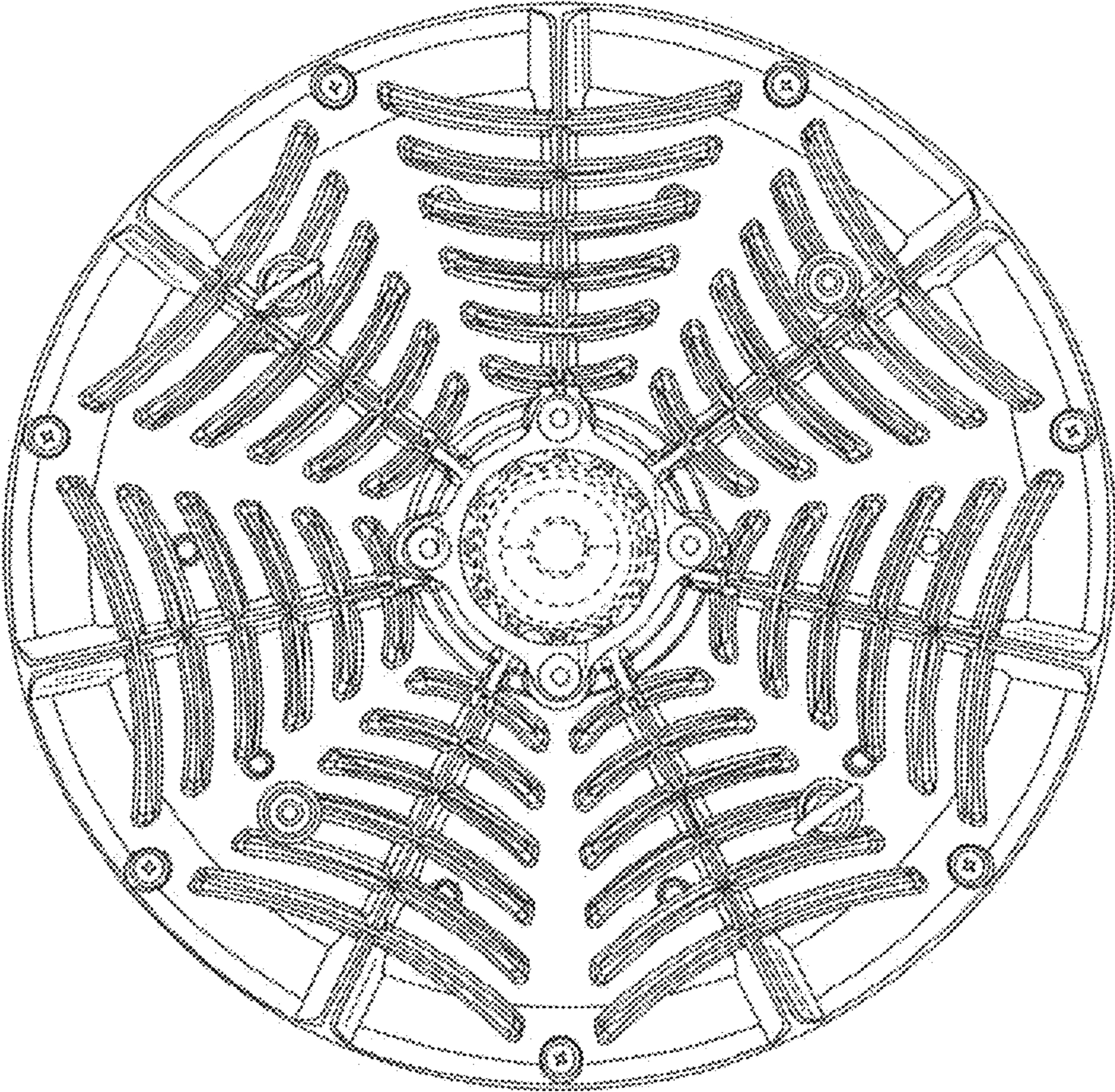


FIG. 6

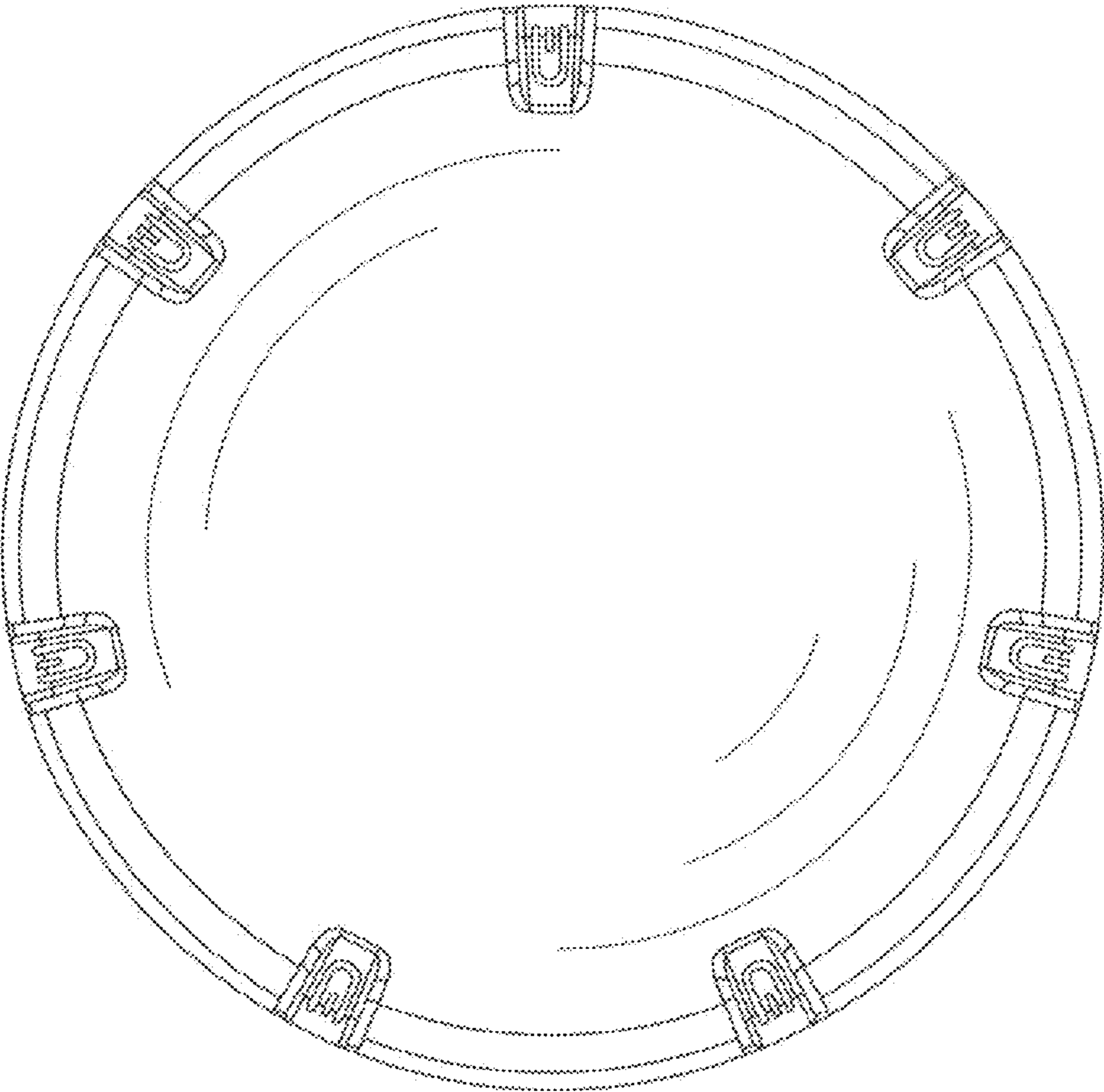


FIG. 7