



US00D748839S

(12) **United States Design Patent**
Boucher et al.

(10) **Patent No.:** **US D748,839 S**

(45) **Date of Patent:** **** Feb. 2, 2016**

(54) **LIGHT FIXTURE**

(71) Applicant: **Nii Northern International Inc.**,
Markham (CA)

(72) Inventors: **Frederic Boucher**, Lemoyne (CA);
Jonathan Landry, St-Jean-sur-Richelieu
(CA); **Pierre-Marc Tardy**, Lachine
(CA)

(73) Assignee: **Nii Northern International Inc.**,
Markham, Ontario (CA)

(**) Term: **14 Years**

(21) Appl. No.: **29/512,517**

(22) Filed: **Dec. 19, 2014**

(51) **LOC (10) Cl.** **26-03**

(52) **U.S. Cl.**
USPC **D26/85**

(58) **Field of Classification Search**
USPC D26/72, 85, 87, 89, 92, 118, 120
CPC F21S 8/03; F21S 8/033; F21S 8/036;
F21S 8/037; F21S 8/043; F21S 8/06; F21V
21/02; F21V 33/006; F21W 2131/10; F21W
2131/107; F21W 2131/1005

See application file for complete search history.

(56) **References Cited**

U.S. PATENT DOCUMENTS

D148,036 S * 12/1947 Robinson D26/60
D152,889 S * 3/1949 Kuhler D11/140

D315,694 S * 3/1991 Thorp D10/114.2
D496,485 S * 9/2004 Stekelenburg D20/42
D568,523 S * 5/2008 Goetz-Schaefer D26/85
D608,488 S * 1/2010 Miranda D26/86
D638,568 S * 5/2011 Wang D26/85
D646,423 S * 10/2011 Chiu D26/85
D695,939 S * 12/2013 Fang D26/72
D712,083 S * 8/2014 Crosby D26/85
2009/0034242 A1* 2/2009 Engel F21S 8/033
362/147
2011/0032703 A1* 2/2011 Pearson F21S 8/033
362/249.02

* cited by examiner

Primary Examiner — Clare E Heflin

(74) *Attorney, Agent, or Firm* — McAndrews Held & Malloy, Ltd.

(57) **CLAIM**

The ornamental design for a light fixture, as shown and described.

DESCRIPTION

FIG. 1 is a top right front perspective view of a light fixture showing our new design;

FIG. 2 is a bottom right rear perspective view thereof;

FIG. 3 is a front elevation view thereof;

FIG. 4 is a rear elevation view thereof;

FIG. 5 is a right side elevation view thereof;

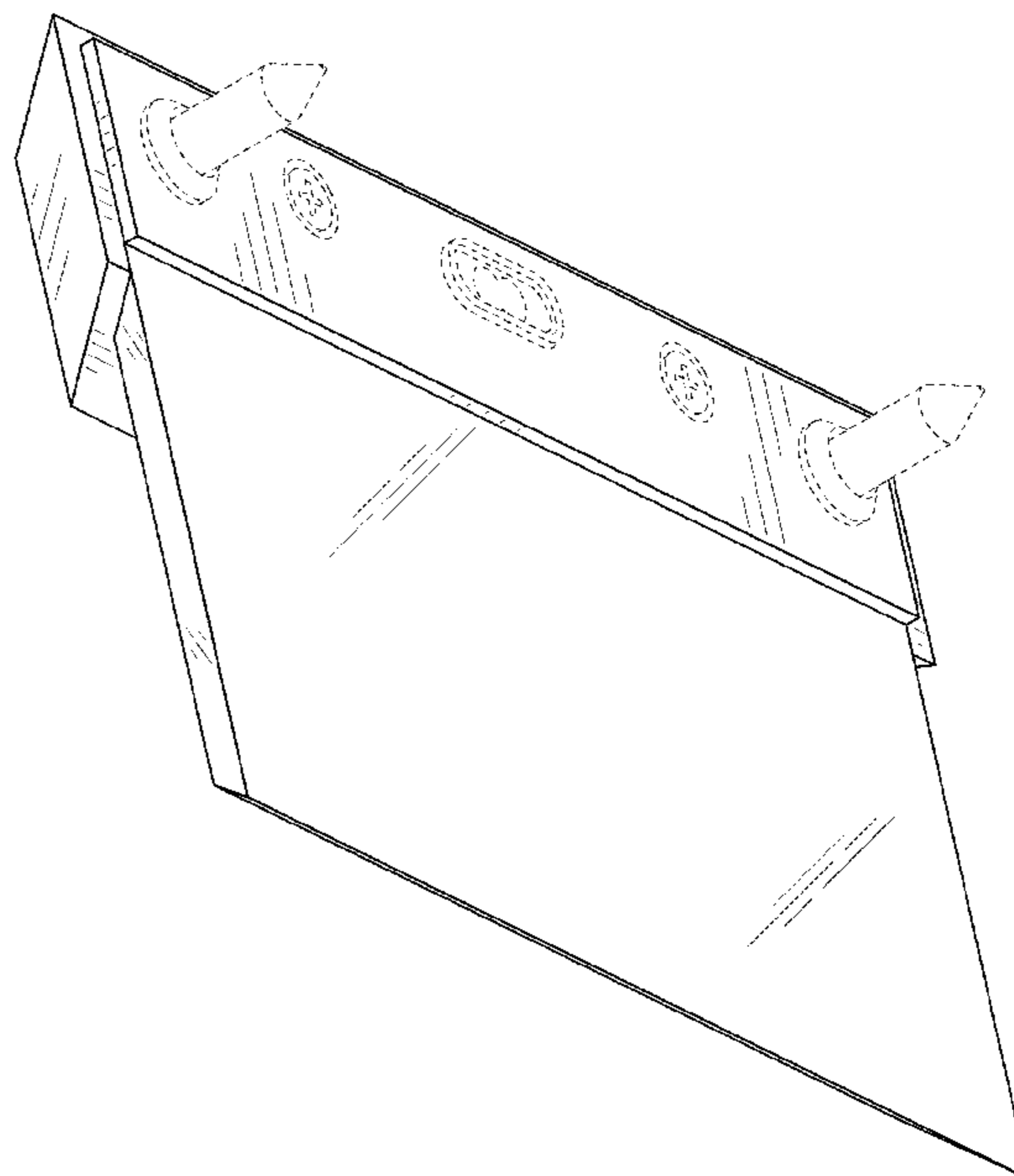
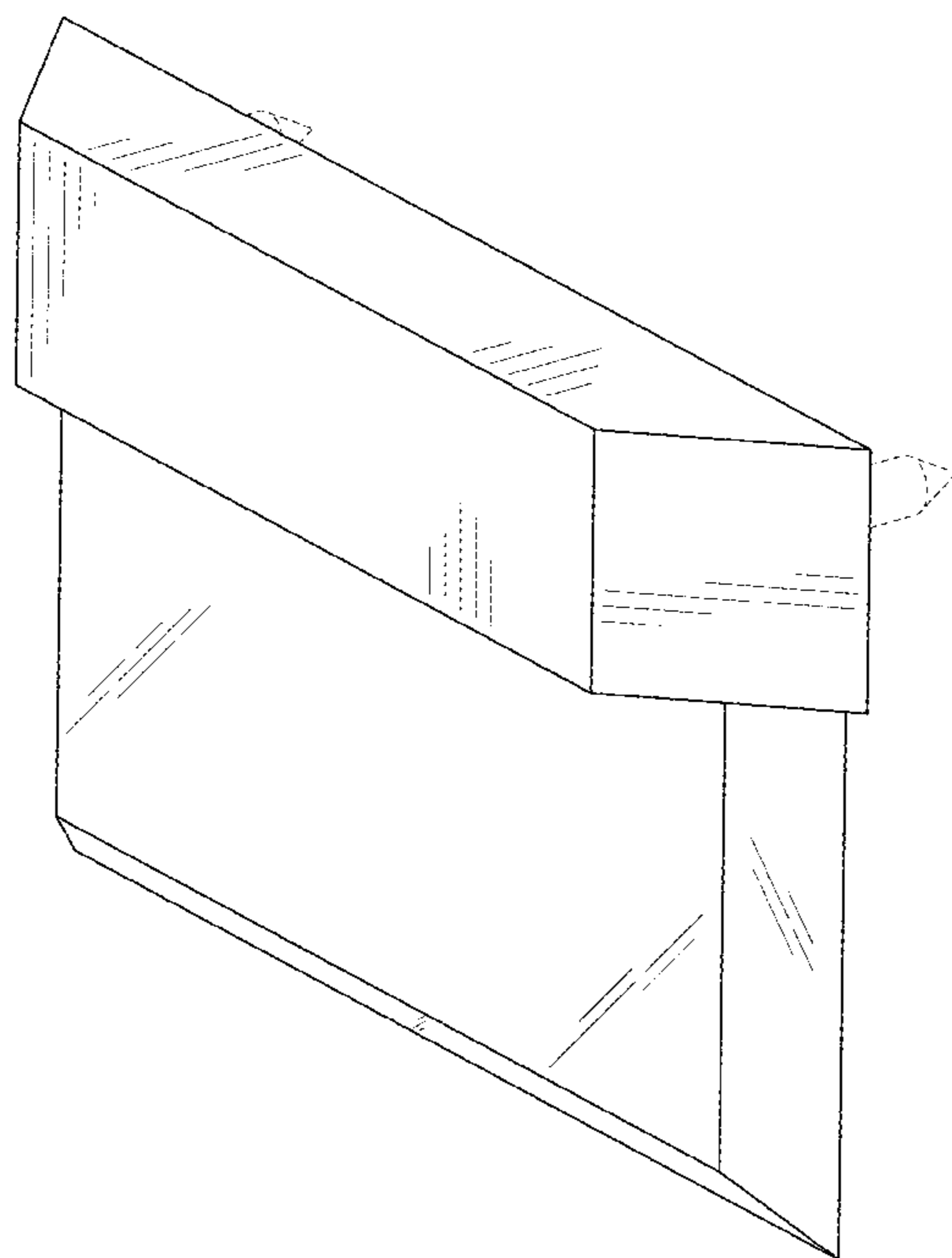
FIG. 6 is a left side elevation view thereof;

FIG. 7 is a top plan view thereof; and,

FIG. 8 is a bottom plan view thereof.

The broken lines shown on the drawings depict portions of the light fixture that form no part of the claimed design.

1 Claim, 4 Drawing Sheets



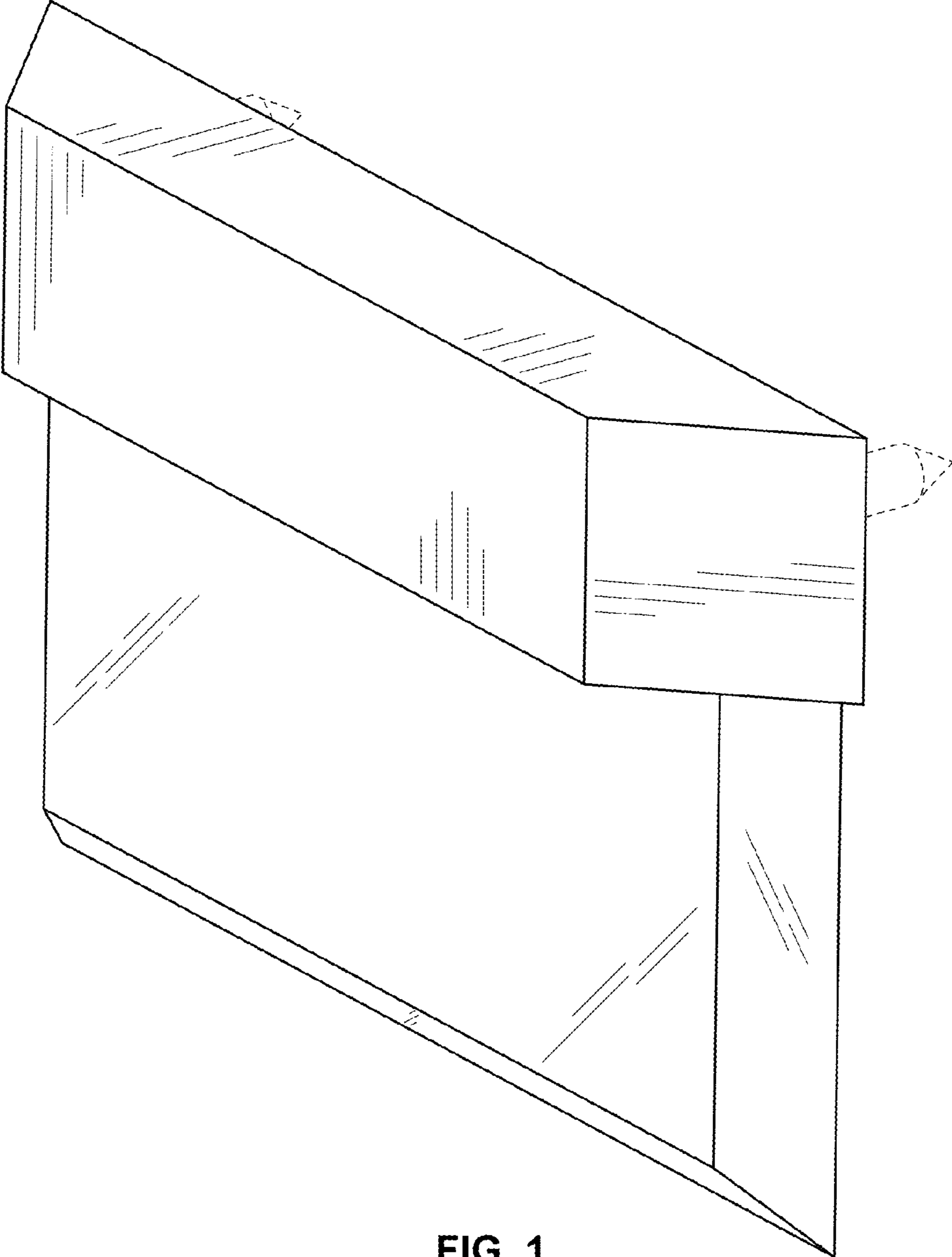


FIG. 1

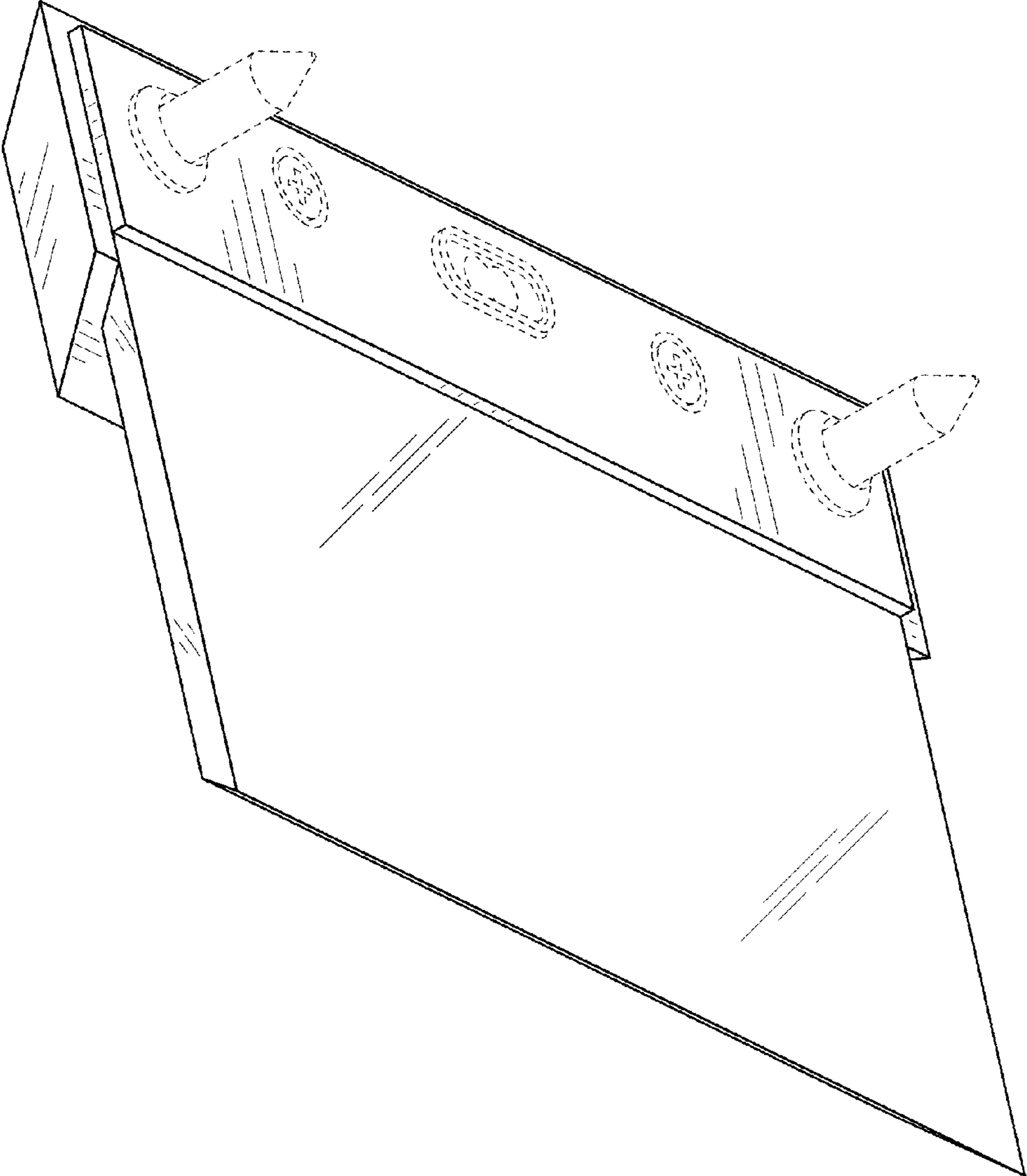


FIG. 2

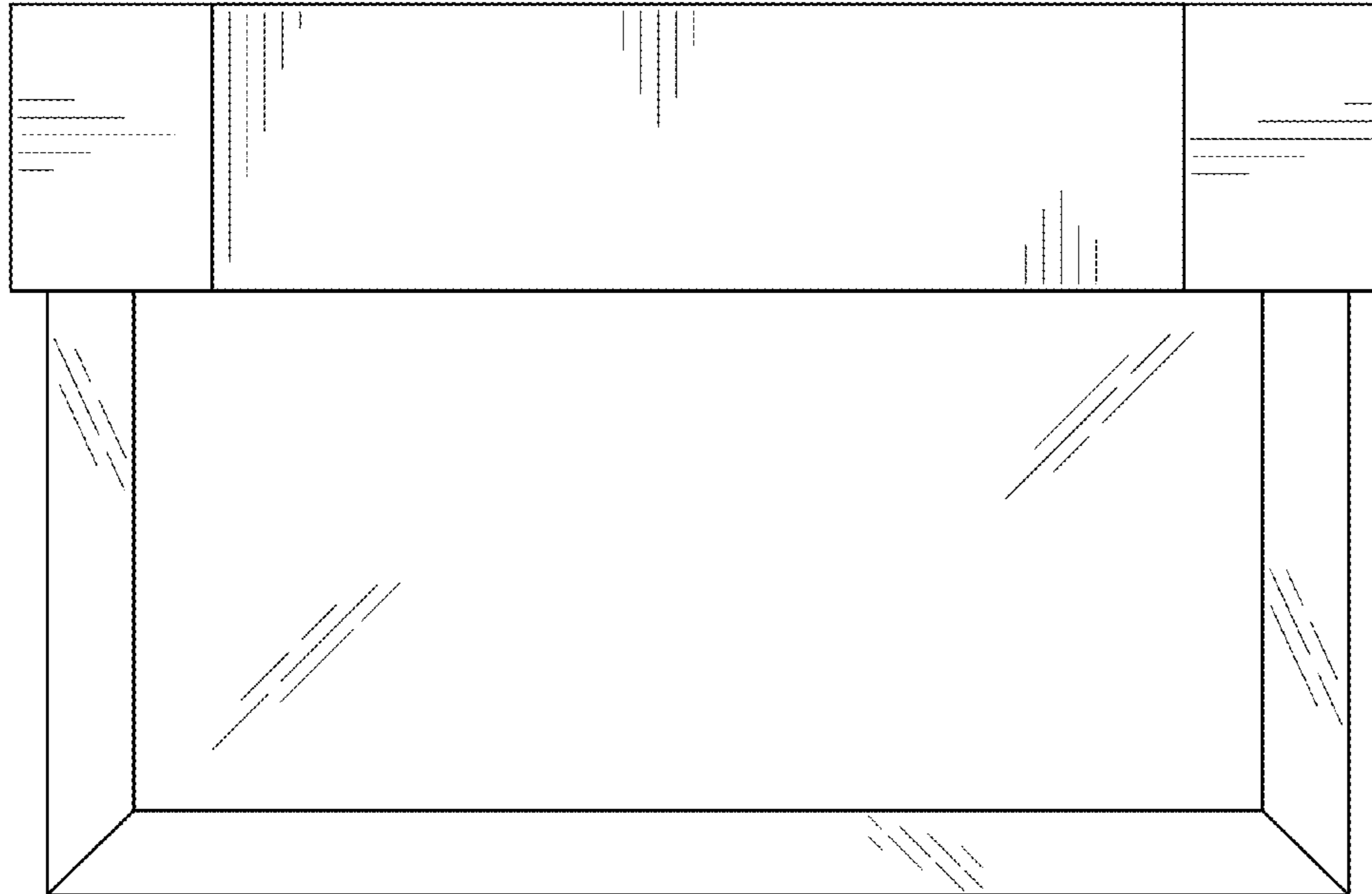


FIG. 3

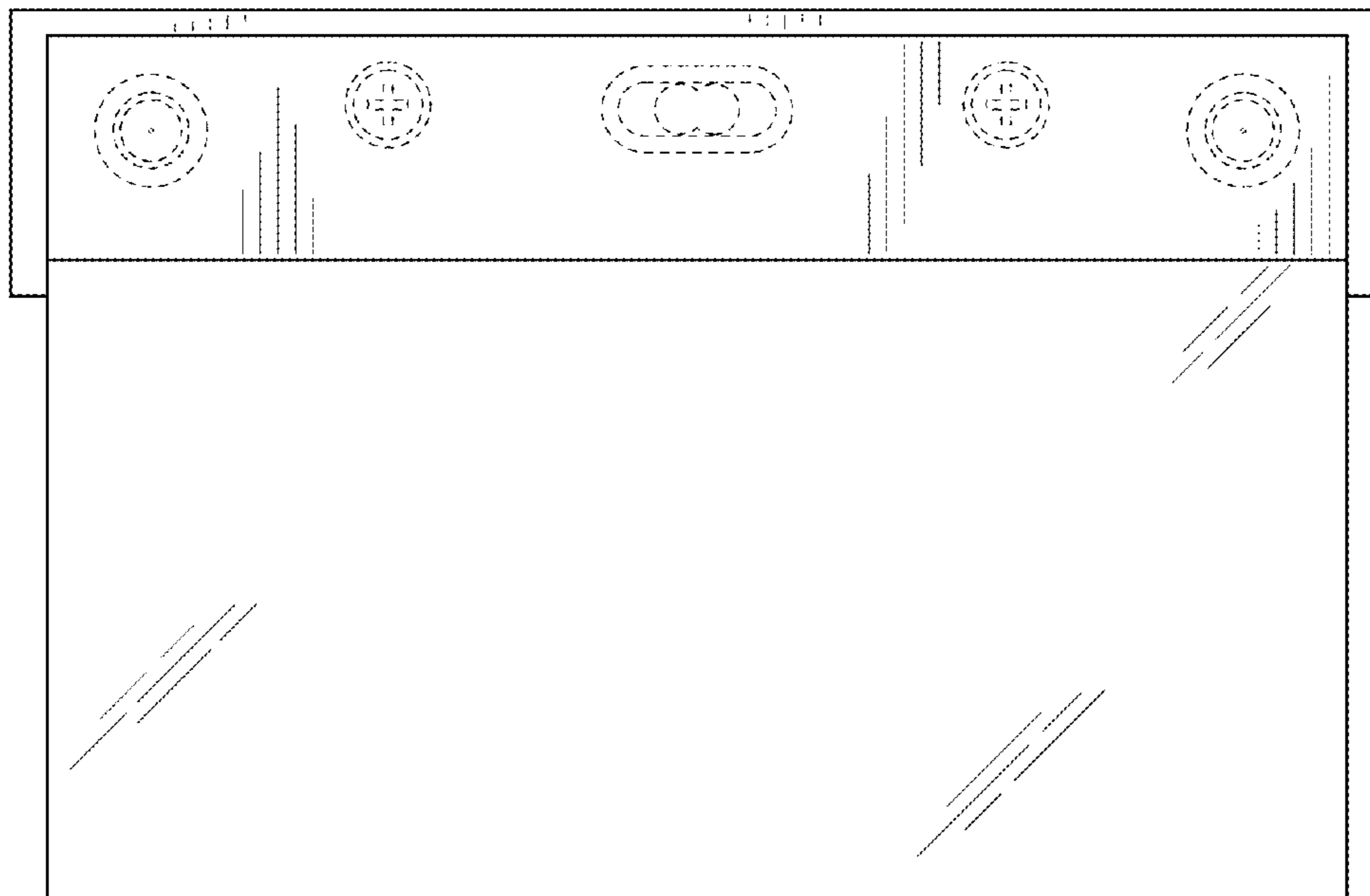


FIG. 4

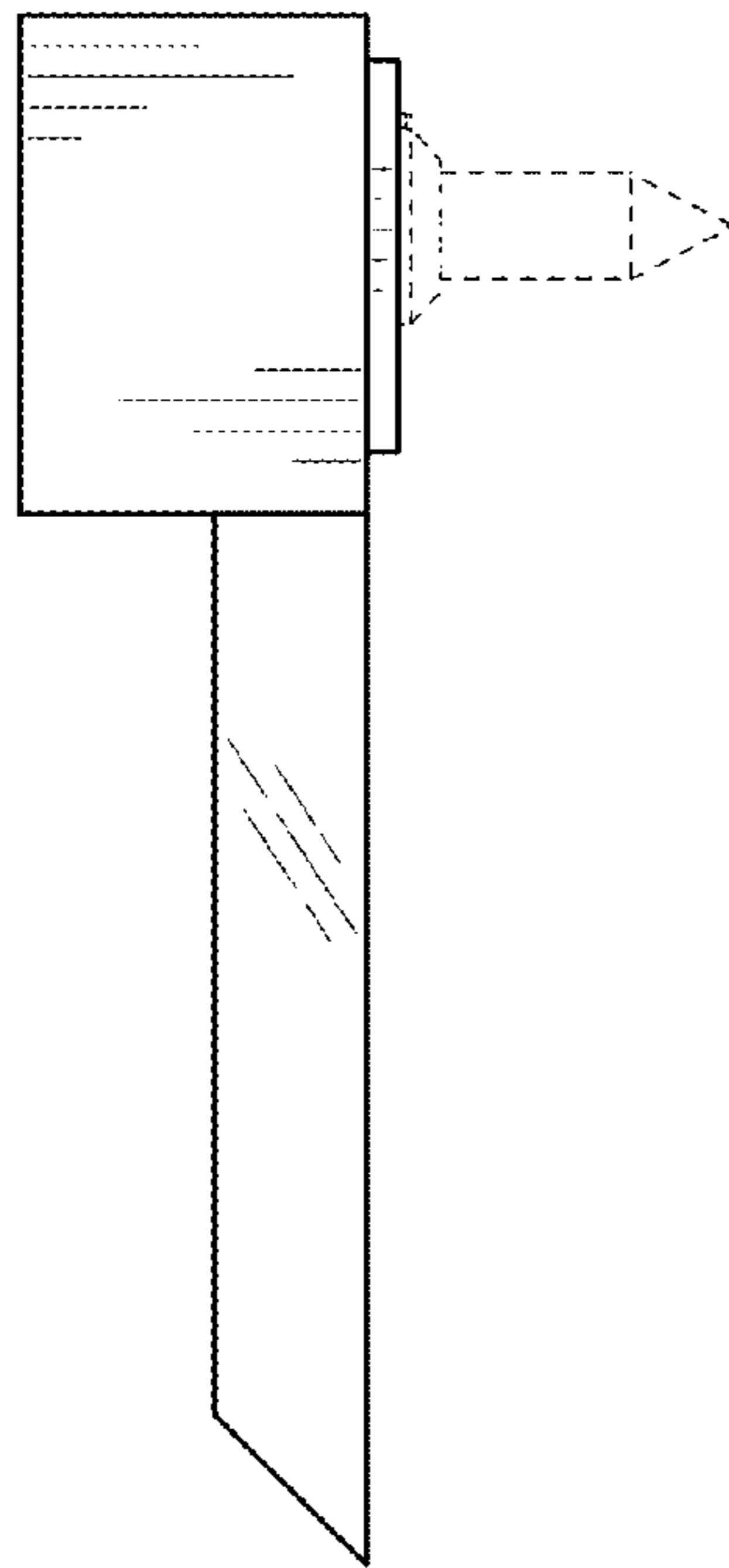


FIG. 5

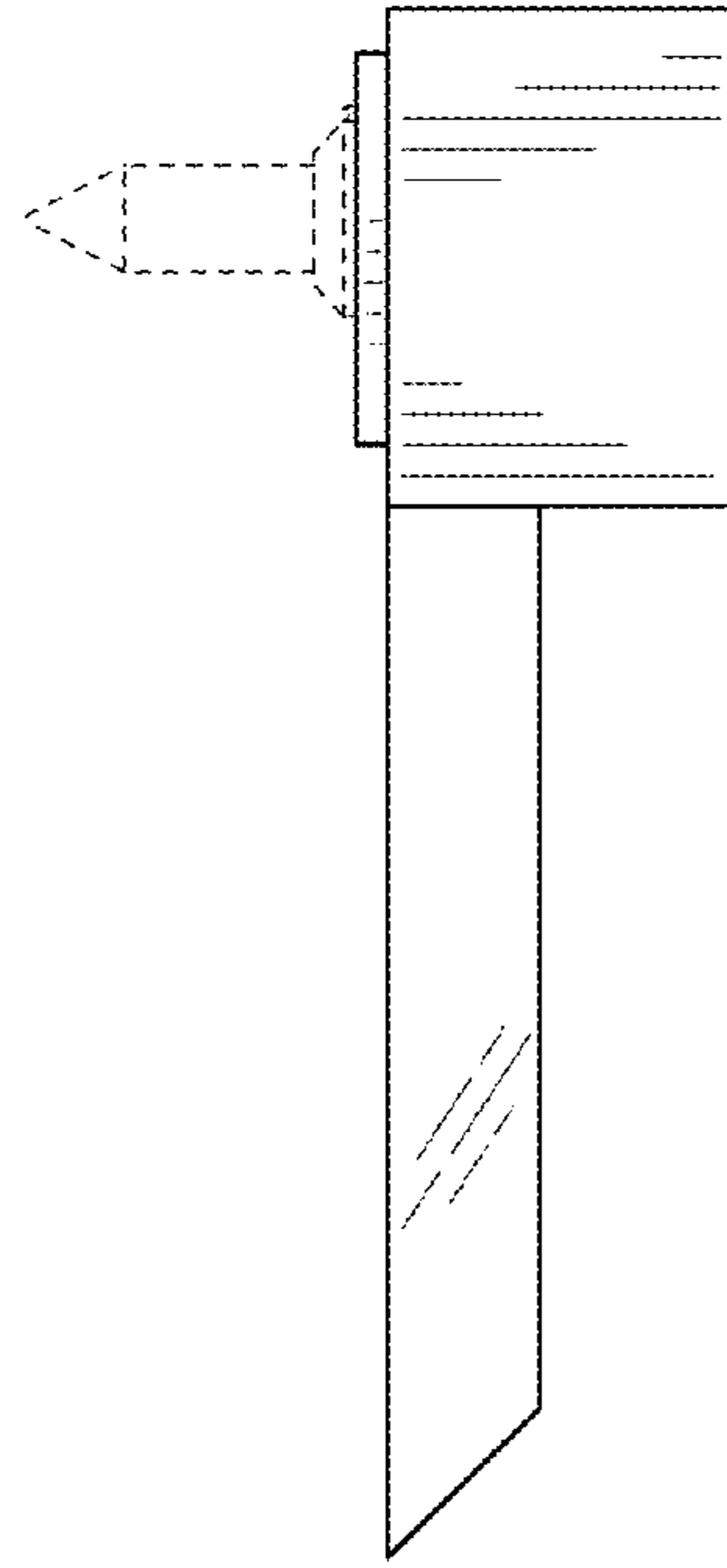


FIG. 6

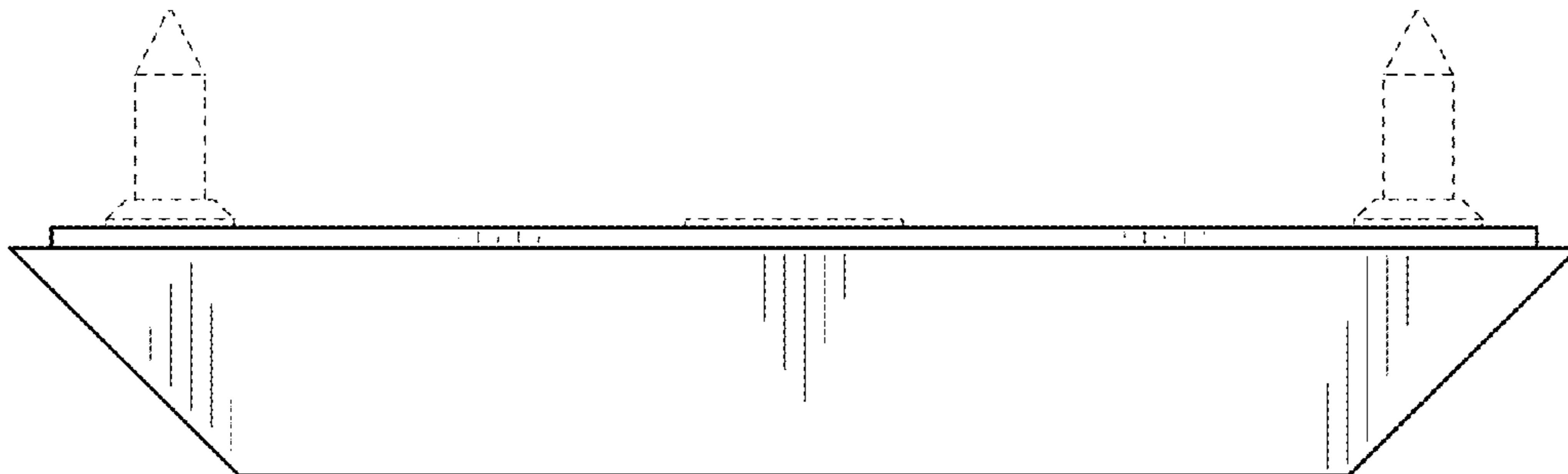


FIG. 7

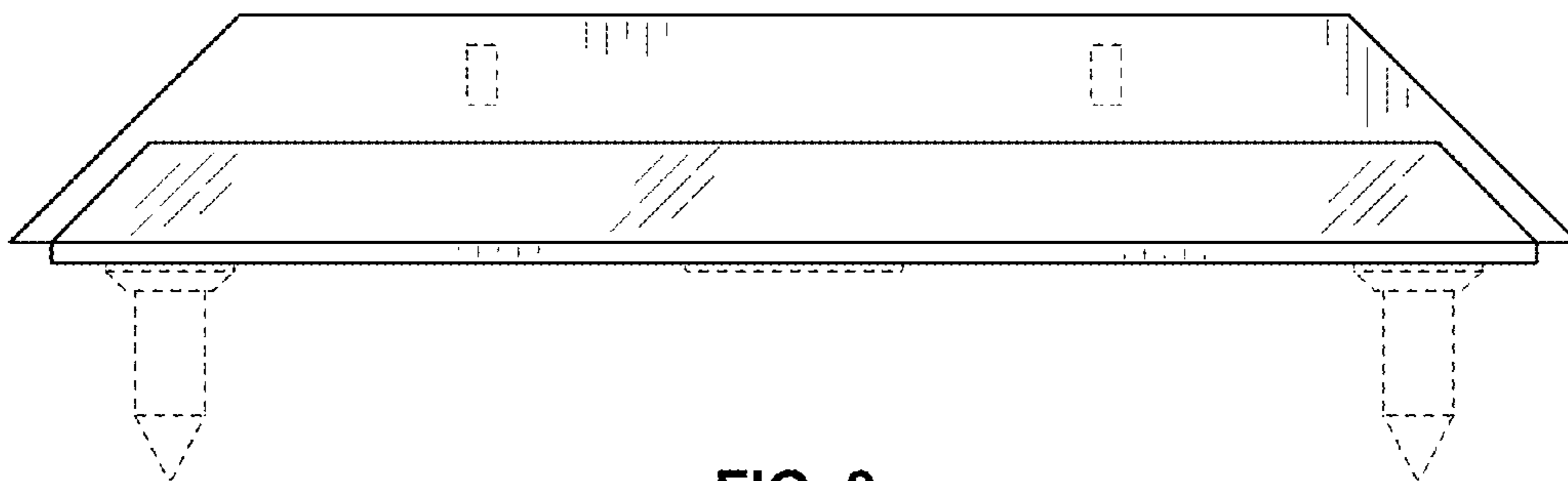


FIG. 8