



US00D748838S

(12) **United States Design Patent**  
**Brynjolfsson**

(10) **Patent No.:** **US D748,838 S**

(45) **Date of Patent:** **\*\* Feb. 2, 2016**

(54) **LANDSCAPE ACCENT LIGHT**

(71) Applicant: **Alan Leif Brynjolfsson**, Tampa, FL  
(US)

(72) Inventor: **Alan Leif Brynjolfsson**, Tampa, FL  
(US)

(\*\*) Term: **14 Years**

(21) Appl. No.: **29/502,347**

(22) Filed: **Sep. 15, 2014**

(51) **LOC (10) Cl.** ..... **26-03**

(52) **U.S. Cl.**  
USPC ..... **D26/63**

(58) **Field of Classification Search**  
USPC ..... D26/1, 24, 61, 63, 65, 85, 92  
CPC ..... F21V 21/14; F21V 15/01; F21V 14/02;  
F21V 21/30; F21V 21/00; F21V 14/00;  
F21S 8/00; F21S 8/003; F21S 8/043; F21Y  
2105/001

See application file for complete search history.

(56) **References Cited**

**U.S. PATENT DOCUMENTS**

D370,070 S *	5/1996	Kay	.....	D26/63
D414,579 S *	9/1999	Denison et al.	.....	D26/63
D417,519 S *	12/1999	Cutler	.....	D26/63
D427,696 S *	7/2000	Scott et al.	.....	D26/28
D435,925 S *	1/2001	Hiller et al.	.....	D26/63
D507,668 S *	7/2005	Kwong	.....	D26/63
D574,532 S *	8/2008	Lee et al.	.....	D26/63
D590,979 S *	4/2009	Mullen	.....	D26/63
D625,871 S *	10/2010	Huang	.....	D26/63

D659,871 S *	5/2012	Lee et al.	.....	D26/63
D667,981 S *	9/2012	Connolly et al.	.....	D26/63
D698,477 S *	1/2014	Korpi	.....	D26/63
D723,726 S *	3/2015	Reed et al.	.....	D26/63

\* cited by examiner

*Primary Examiner* — Brian N Vinson

(74) *Attorney, Agent, or Firm* — Nelson Mullins Riley & Scarborough, LLP

(57) **CLAIM**

The ornamental design of a landscape accent light, substantially as shown and described.

**DESCRIPTION**

FIG. 1 is a perspective view of a landscape accent light embodying the design of the present invention.

FIG. 2 is a front side elevational view of the landscape accent light illustrated in FIG. 1.

FIG. 3 is a back side elevational view of the landscape accent light illustrated in FIG. 1.

FIG. 4 is a right side elevational view of the landscape accent light illustrated in FIG. 1.

FIG. 5 is a left side elevational view of the landscape accent light illustrated in FIG. 1.

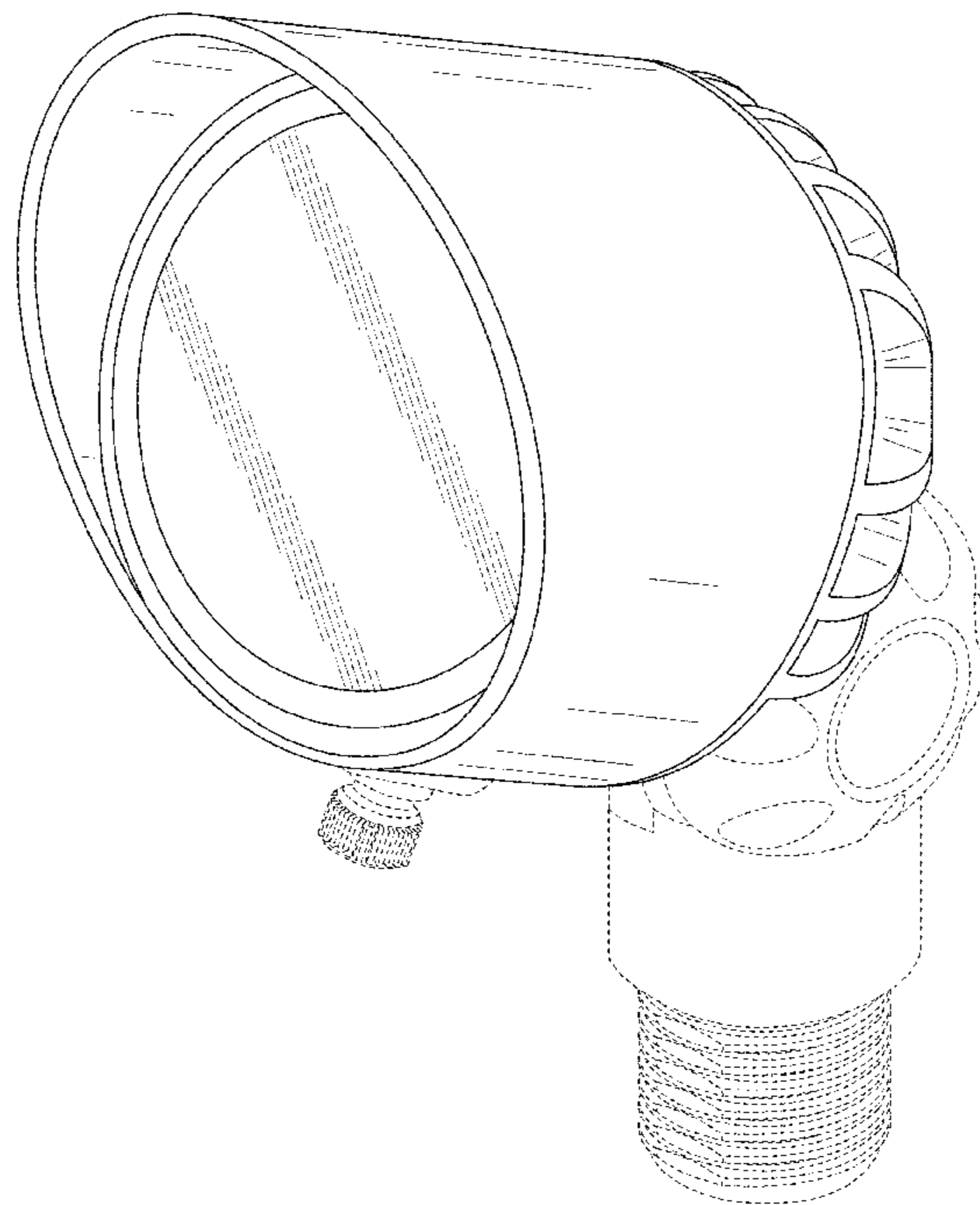
FIG. 6 is a top view of the landscape accent light illustrated in FIG. 1.

FIG. 7 is a bottom view of the landscape accent light illustrated in FIG. 1; and,

FIG. 8 is a back view of the landscape accent light illustrated in FIG. 1 taken along the axis of the light housing to show more clearly features on the back of said light housing.

The portions shown in broken lines form no part of the claimed design.

**1 Claim, 8 Drawing Sheets**



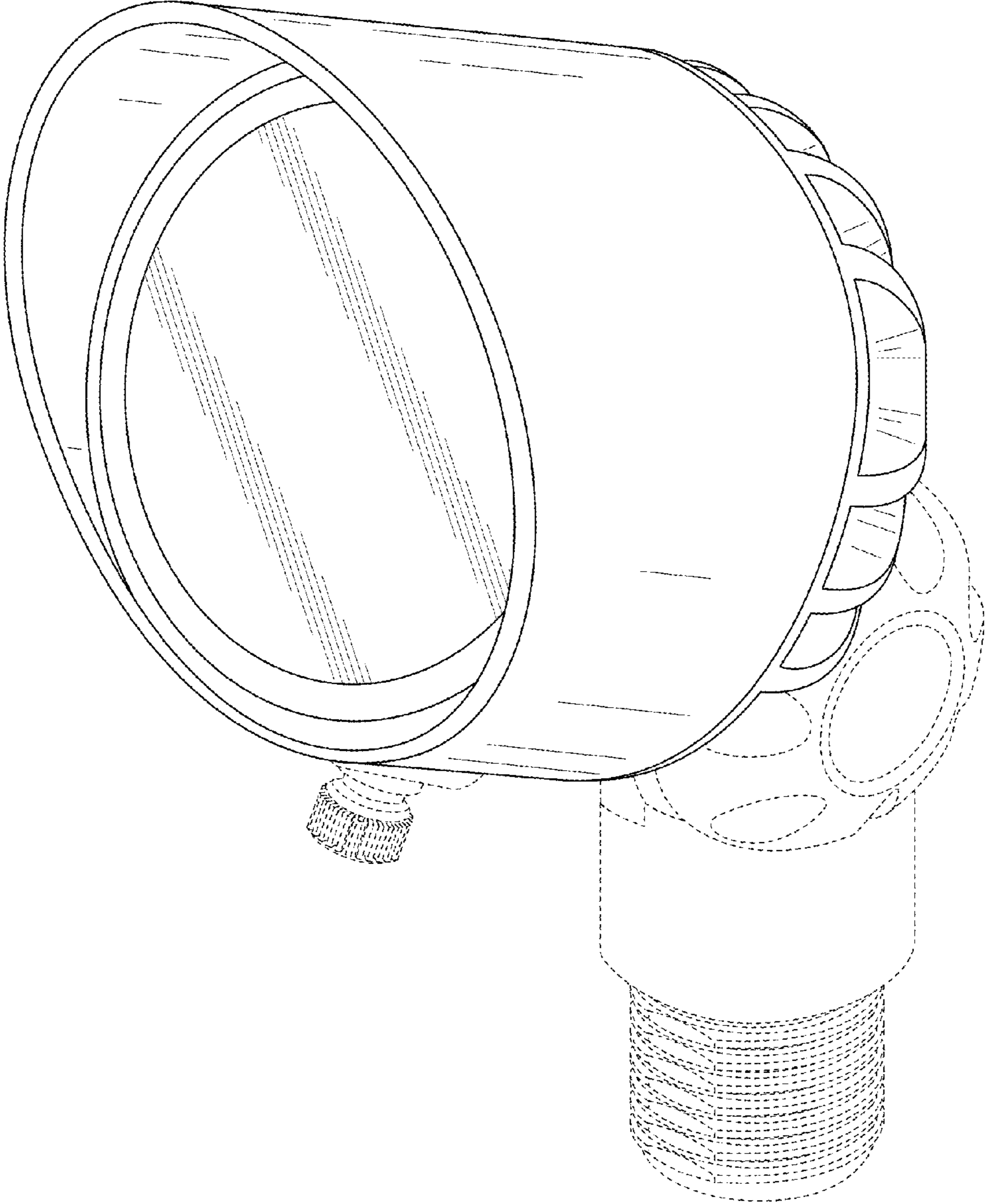


FIG. 1

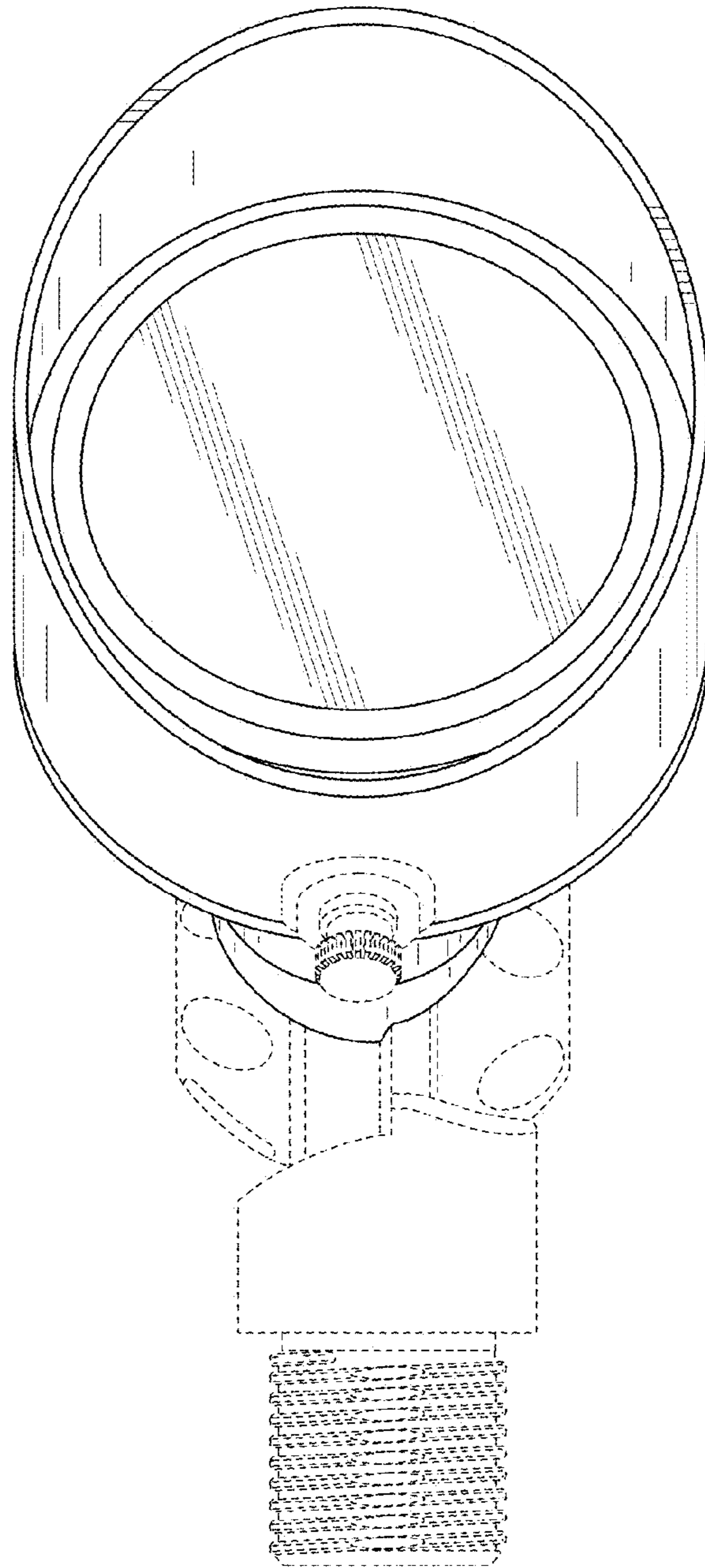


FIG. 2

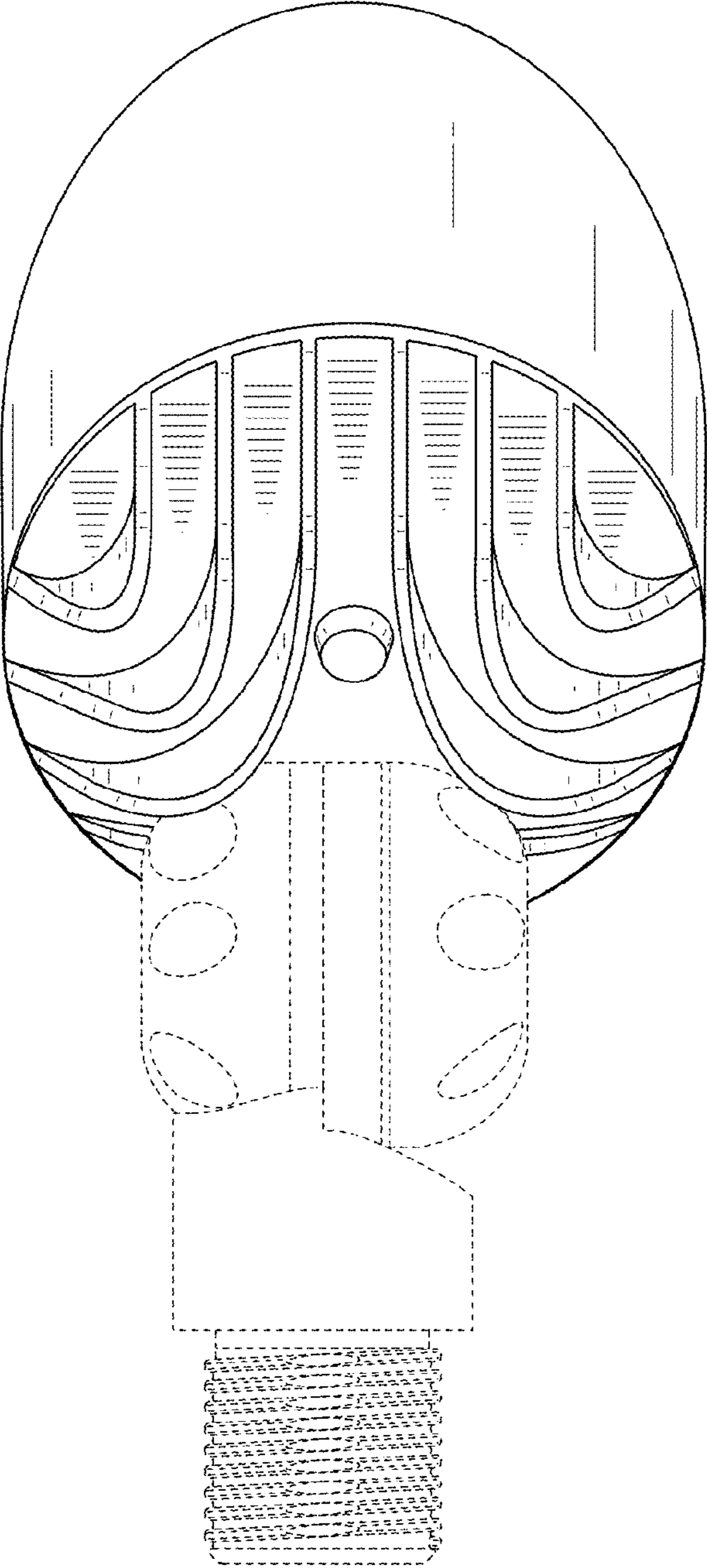


FIG. 3

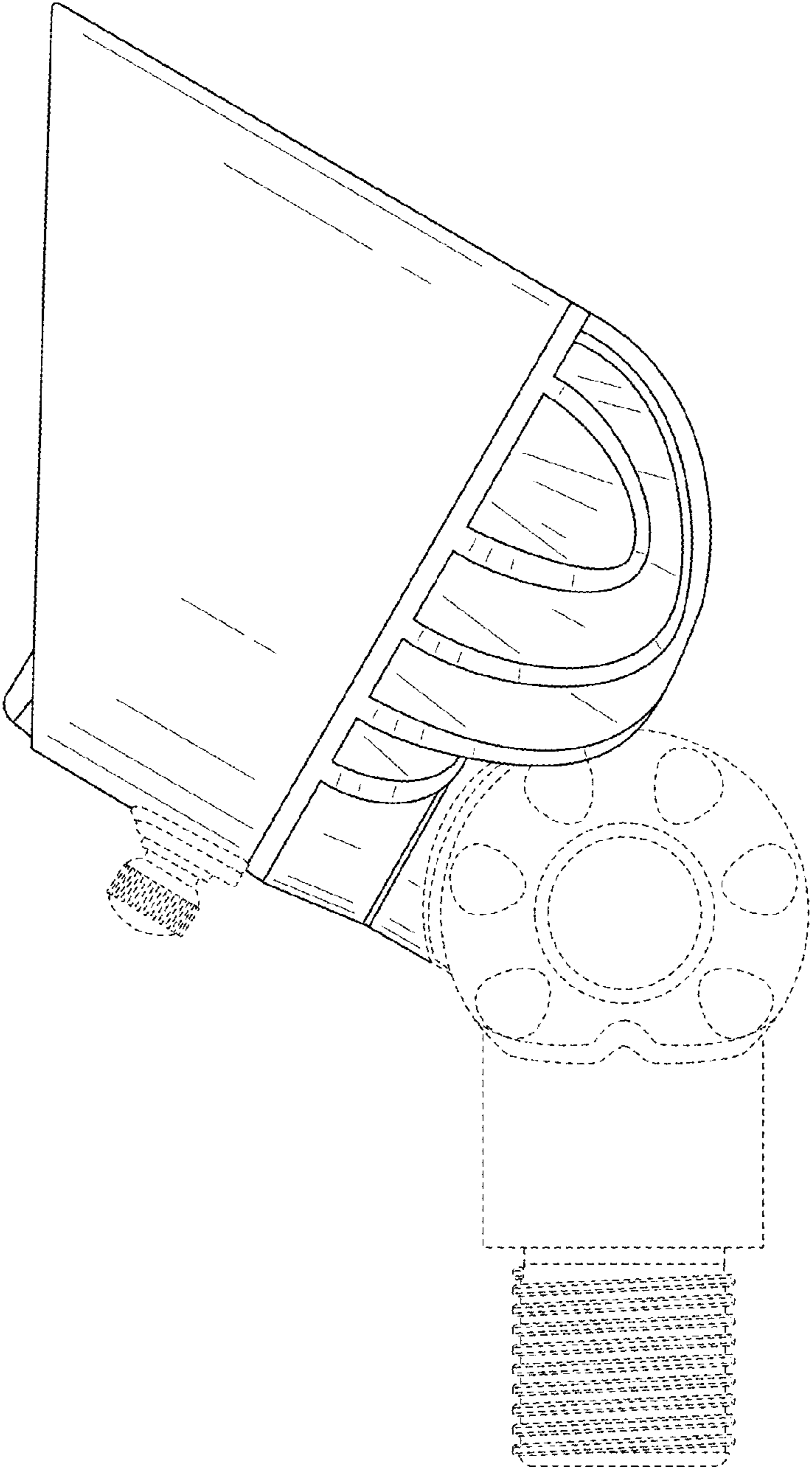


FIG. 4

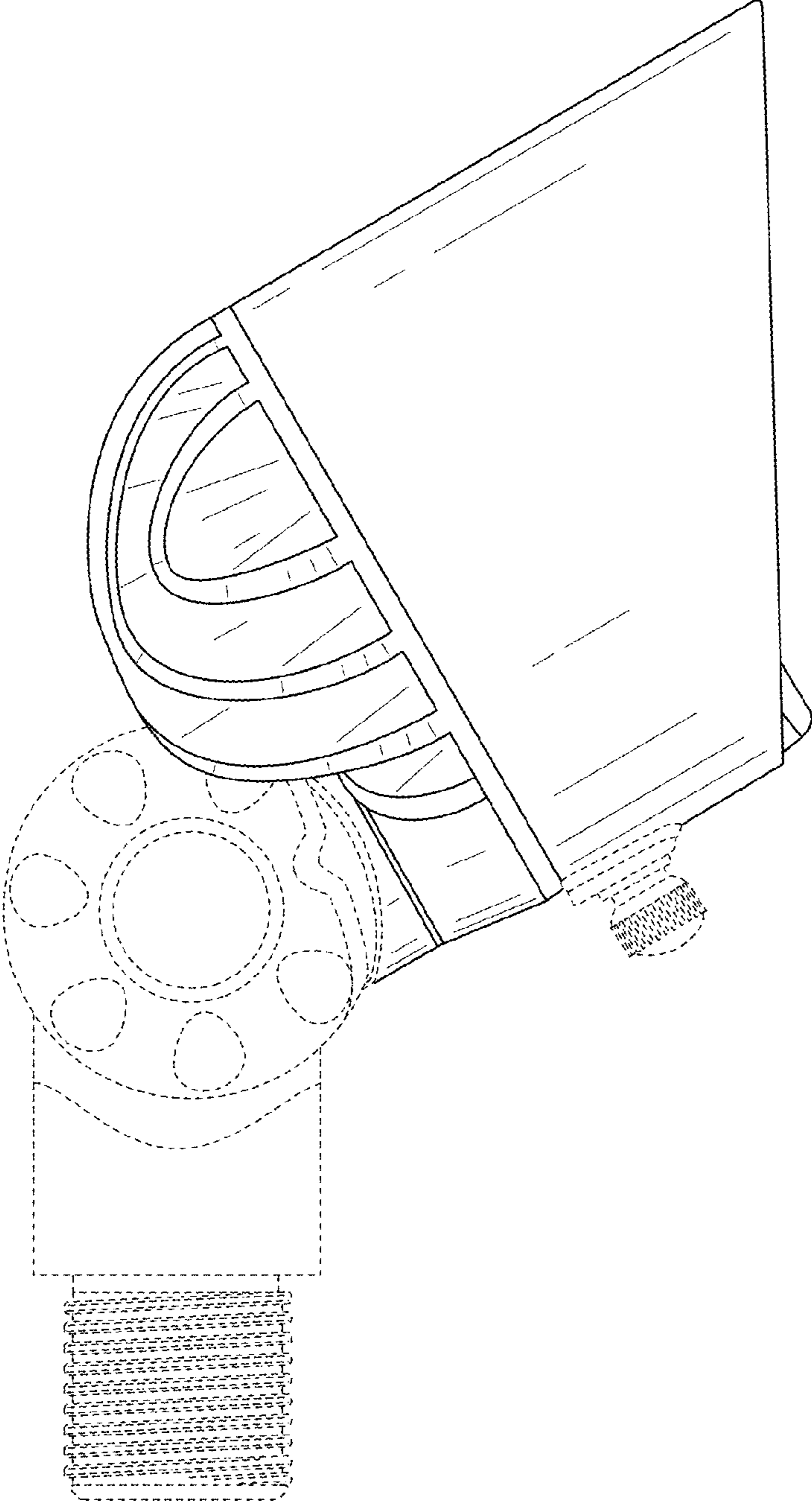
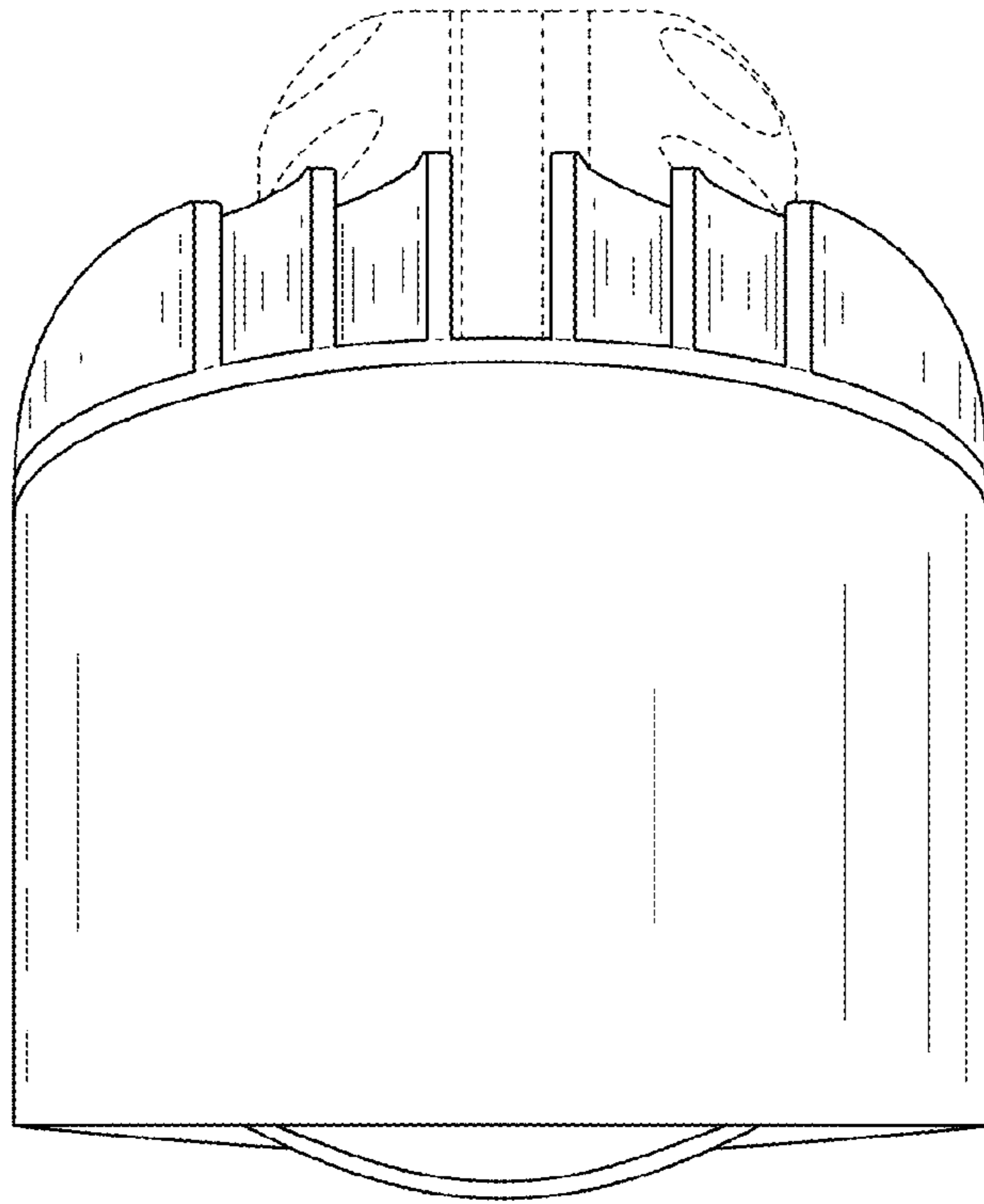


FIG. 5



**FIG. 6**

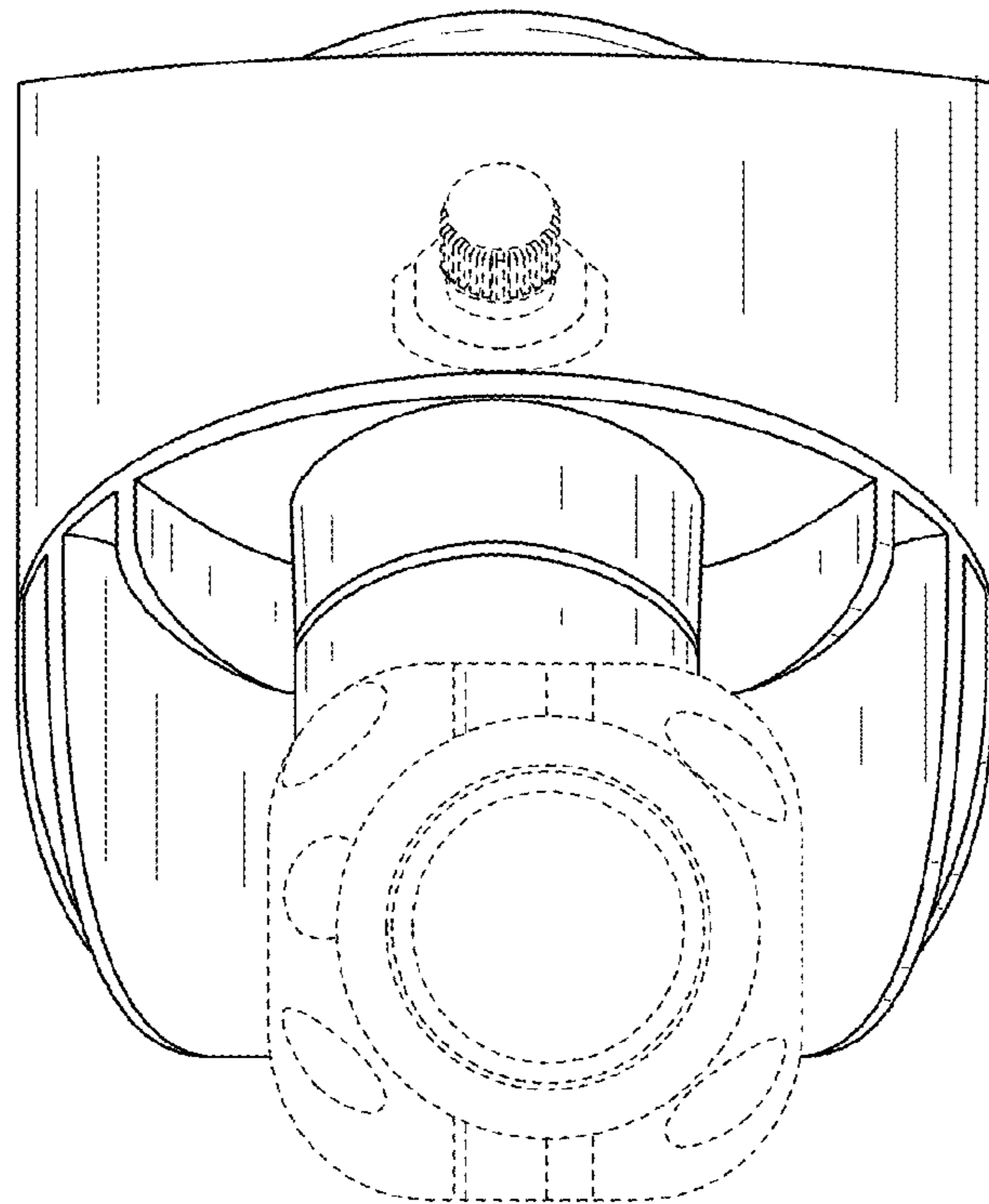
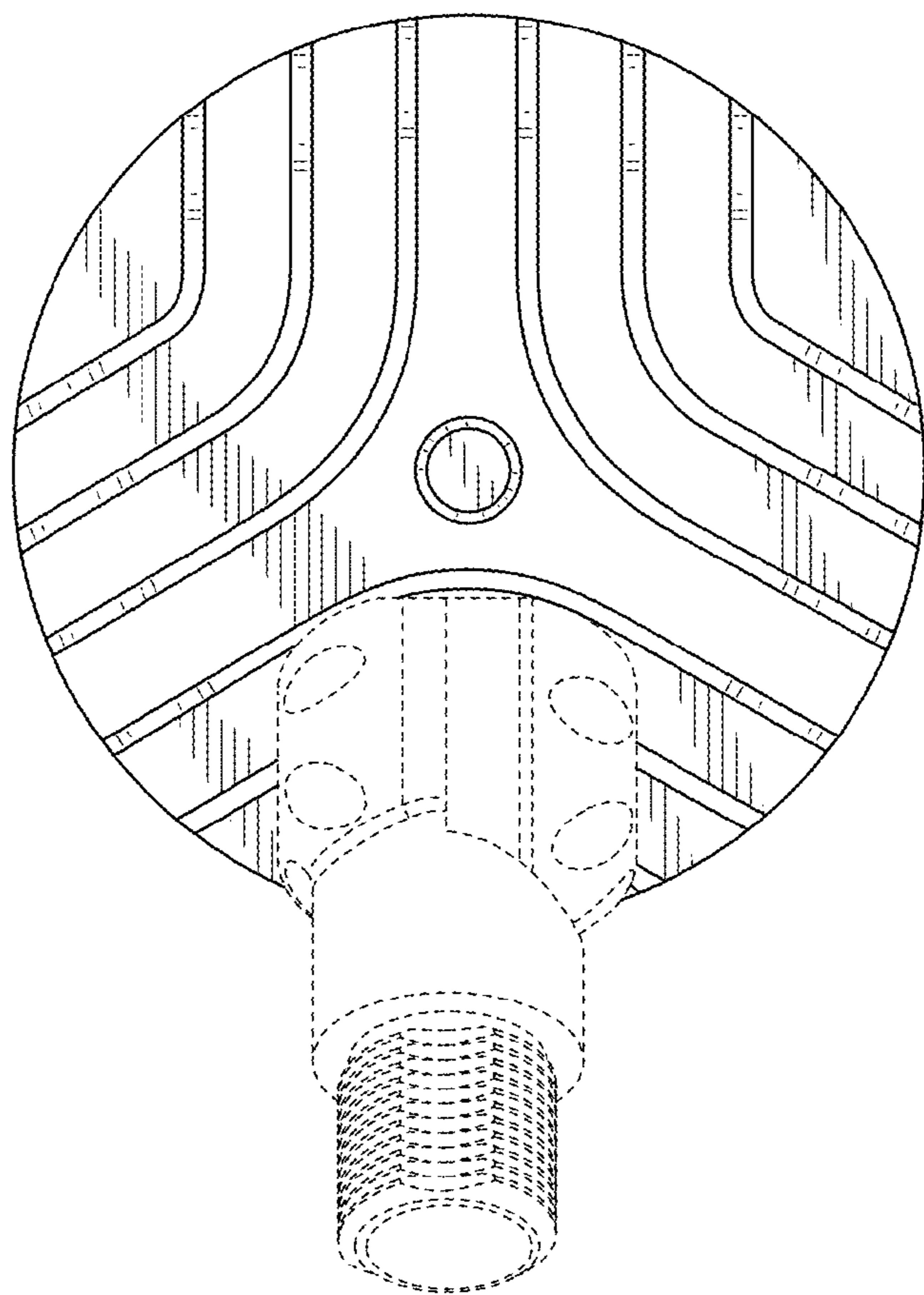


FIG. 7





**FIG. 8**