



US00D748837S

(12) **United States Design Patent**  
**Cacciabeve**

(10) **Patent No.:** **US D748,837 S**

(45) **Date of Patent:** **\*\* Feb. 2, 2016**

(54) **FLASH LIGHT**

(71) Applicant: **Walter R. Tucker Enterprises, Ltd.**,  
Deposit, NY (US)

(72) Inventor: **Robert Cacciabeve**, Boonton, NJ (US)

(73) Assignee: **Walter R. Tucker Enterprises, Ltd.**,  
Deposit, NY (US)

(\*\*) Term: **14 Years**

(21) Appl. No.: **29/503,072**

(22) Filed: **Sep. 23, 2014**

(51) **LOC (10) Cl.** ..... **26-02**

(52) **U.S. Cl.**  
USPC ..... **D26/49**

(58) **Field of Classification Search**  
USPC ..... D26/37-51, 56-60, 67; 362/103-105,  
362/184, 194-196, 202-206; D22/117  
CPC ..... F21L 4/00; F21L 4/005; F21L 4/022;  
F21L 4/025; F21L 4/027; F21L 7/00; F21L  
19/00; F21V 21/084; F21V 21/0085; F21W  
2111/10

See application file for complete search history.

(56) **References Cited**

U.S. PATENT DOCUMENTS

D463,596 S *	9/2002	McGaffigan .....	D26/49
D481,482 S *	10/2003	Mah .....	D26/37
D529,210 S *	9/2006	Mundhra .....	D26/37
D554,787 S *	11/2007	Shiu .....	D26/49
D586,488 S *	2/2009	Kung .....	D26/49
D629,542 S *	12/2010	Robinson .....	D26/49
D656,260 S *	3/2012	Kung .....	D26/49
D685,939 S *	7/2013	Cooper .....	D26/49

\* cited by examiner

*Primary Examiner* — Sandra Morris

(74) *Attorney, Agent, or Firm* — Breiner & Breiner, L.L.C.

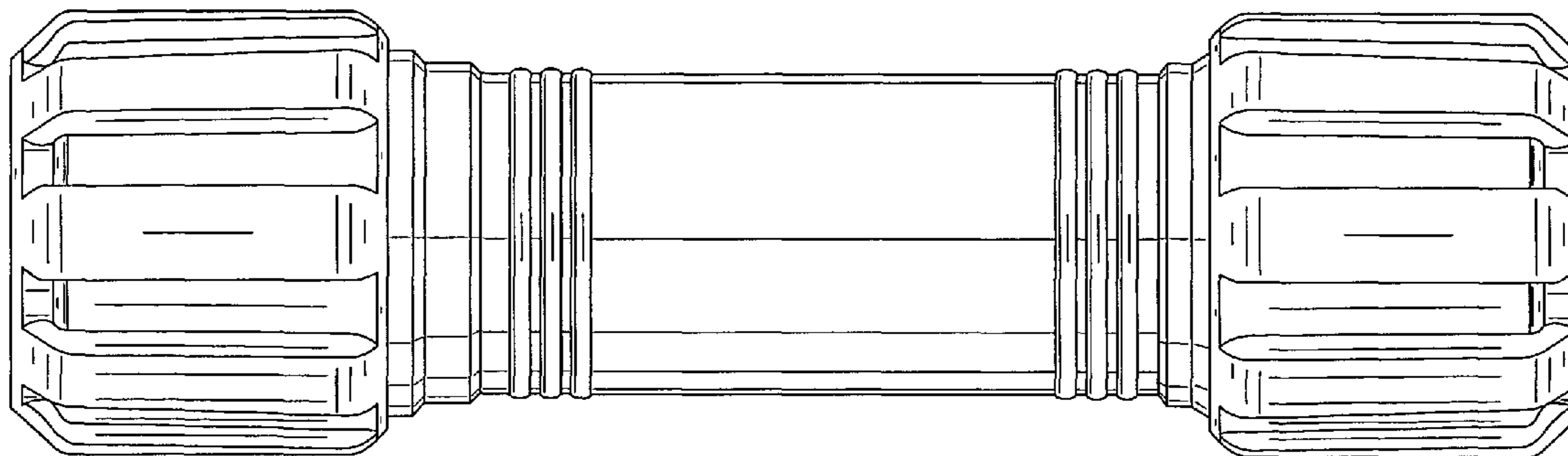
(57) **CLAIM**

The ornamental design for a flash light, as shown and described.

**DESCRIPTION**

FIG. 1 is a top perspective view of the invention.  
FIG. 2 is a bottom perspective view of the invention.  
FIG. 3 is a bottom view of the invention.  
FIG. 4 is a top view of the invention; and,  
FIG. 5 is a side view of the invention.  
The broken lines in the drawings illustrates portions of the design that form no part of the claim.

**1 Claim, 4 Drawing Sheets**



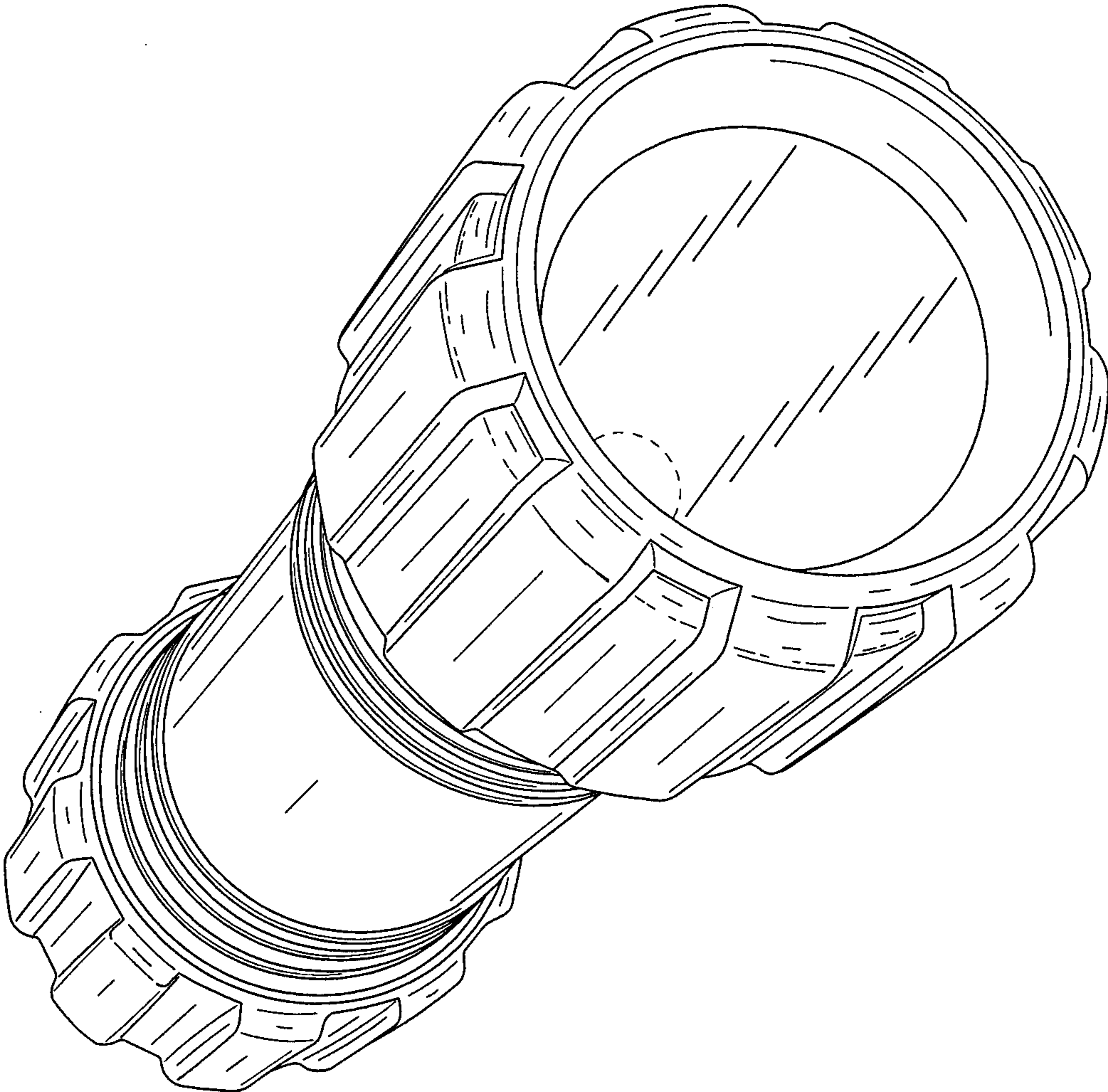
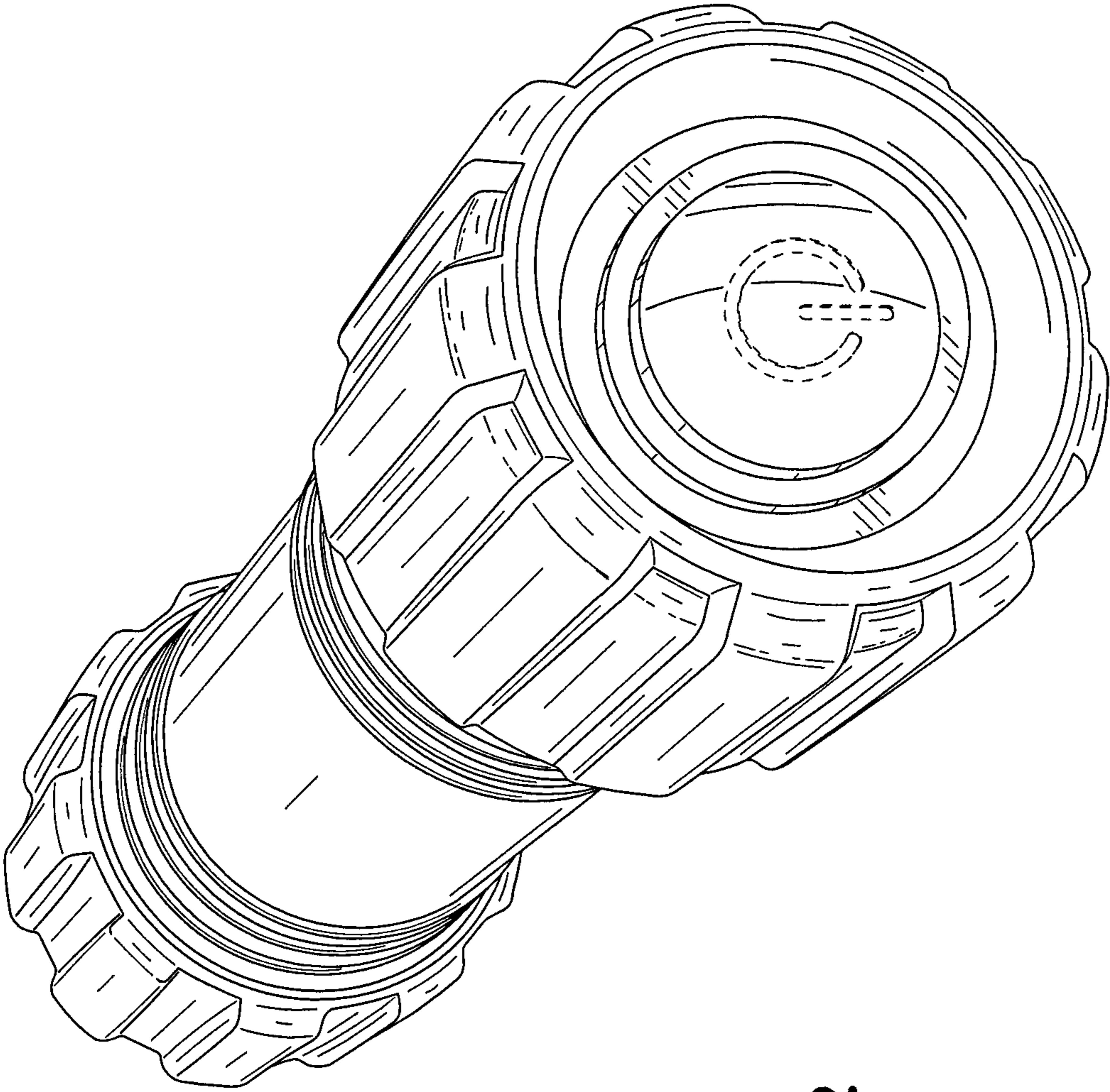


FIG. 1



**FIG. 2**

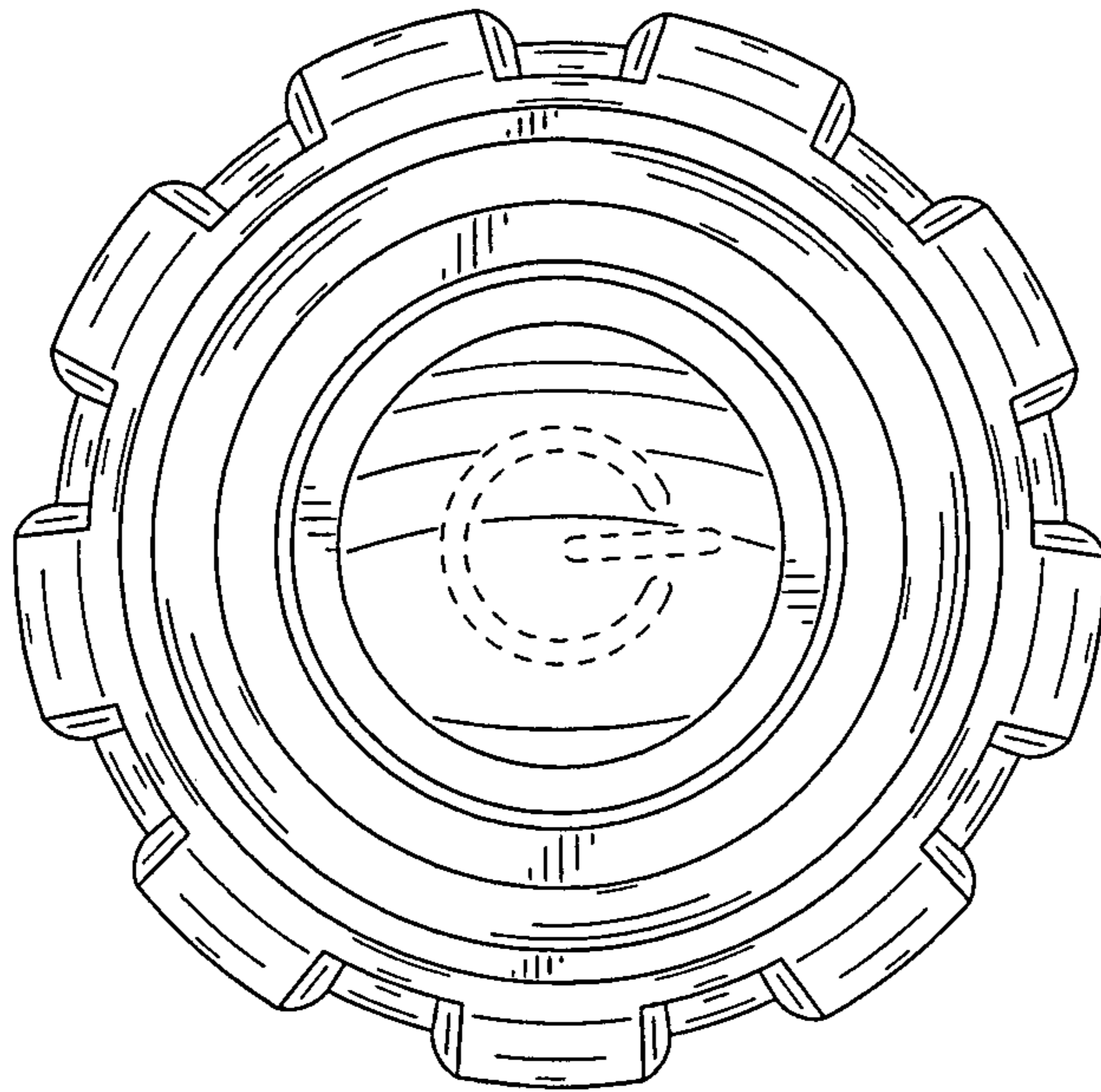


FIG. 4

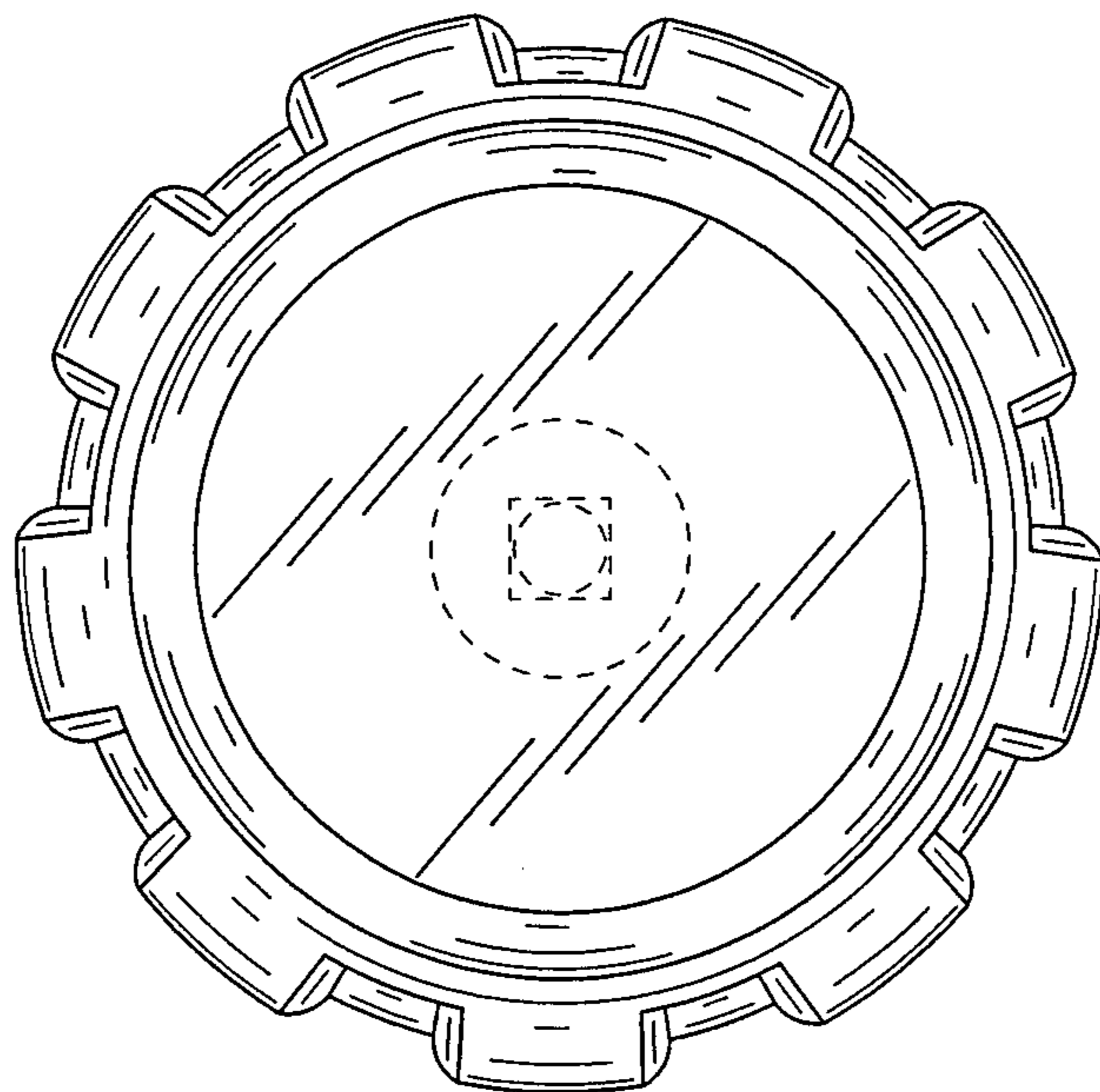


FIG. 3

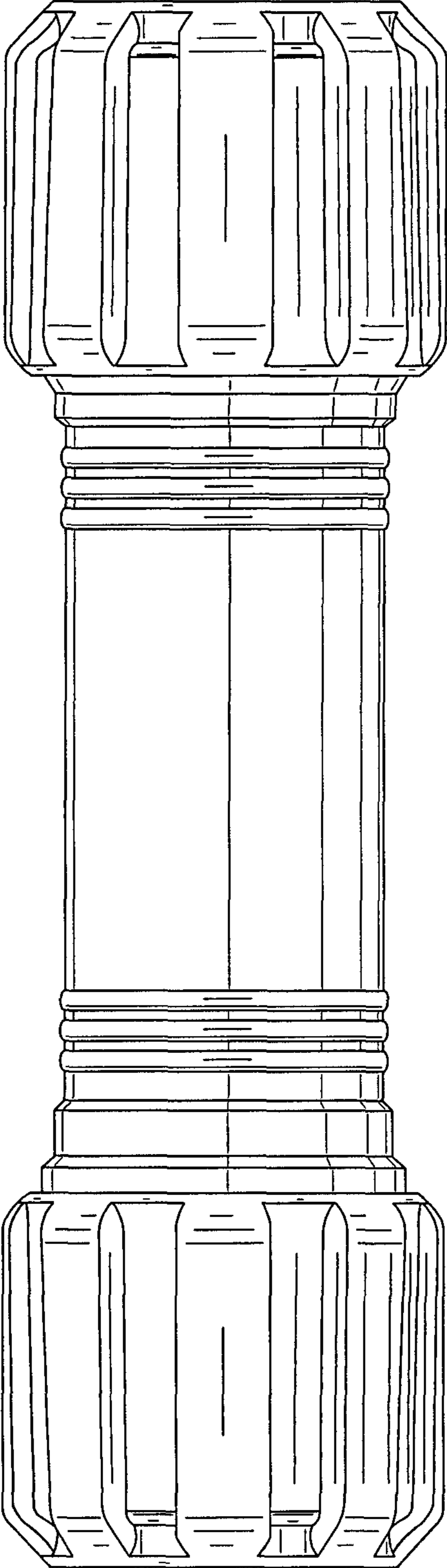


FIG. 5