



US00D748836S

(12) **United States Design Patent**
Zhang

(10) **Patent No.:** **US D748,836 S**

(45) **Date of Patent:** **** Feb. 2, 2016**

(54) **CAMPING LIGHT**

(71) Applicant: **Yuyao Jinfeng Electric Appliance Co., Ltd.**, Yuyao, Zhejiang (CN)

(72) Inventor: **JiFeng Zhang**, Yuyao (CN)

(73) Assignee: **Yuyao Jinfeng Electric Appliance Co., LTD.**, Yuyao (CN)

(**) Term: **14 Years**

(21) Appl. No.: **29/499,620**

(22) Filed: **Aug. 18, 2014**

(51) **LOC (10) Cl.** **26-02**

(52) **U.S. Cl.**
USPC **D26/40**

(58) **Field of Classification Search**
USPC D26/37-51, 56-60, 67; 362/103-105,
362/184, 194-196, 202-206
CPC F21L 4/00; F21L 4/022; F21L 4/025;
F21L 4/027; F21L 7/00; F21L 19/00; F21V
21/084; F21V 21/0085; F21W 2111/10
See application file for complete search history.

(56) **References Cited**

U.S. PATENT DOCUMENTS

D389,257 S * 1/1998 Eca, Sr. D26/37
D462,469 S * 9/2002 Poon D26/37
D464,451 S * 10/2002 Poon D26/37

D468,039 S * 12/2002 Poon D26/40
D486,932 S * 2/2004 Dario D26/40
D542,953 S * 5/2007 Lee D26/40
D545,984 S * 7/2007 Leung D26/40
D559,418 S * 1/2008 Poon D26/40
D564,112 S * 3/2008 Jen D26/40
D670,014 S * 10/2012 Bertken D26/40
D674,945 S * 1/2013 Bertken D26/40

* cited by examiner

Primary Examiner — Sandra Morris

(74) *Attorney, Agent, or Firm* — Raymond Y. Chan; David and Raymond Patent Firm

(57) **CLAIM**

The ornamental design for a camping light, as shown and described.

DESCRIPTION

FIG. 1 is a front view of a camping light showing my new design.

FIG. 2 is a rear view of the camping light.

FIG. 3 is a left view of the camping light.

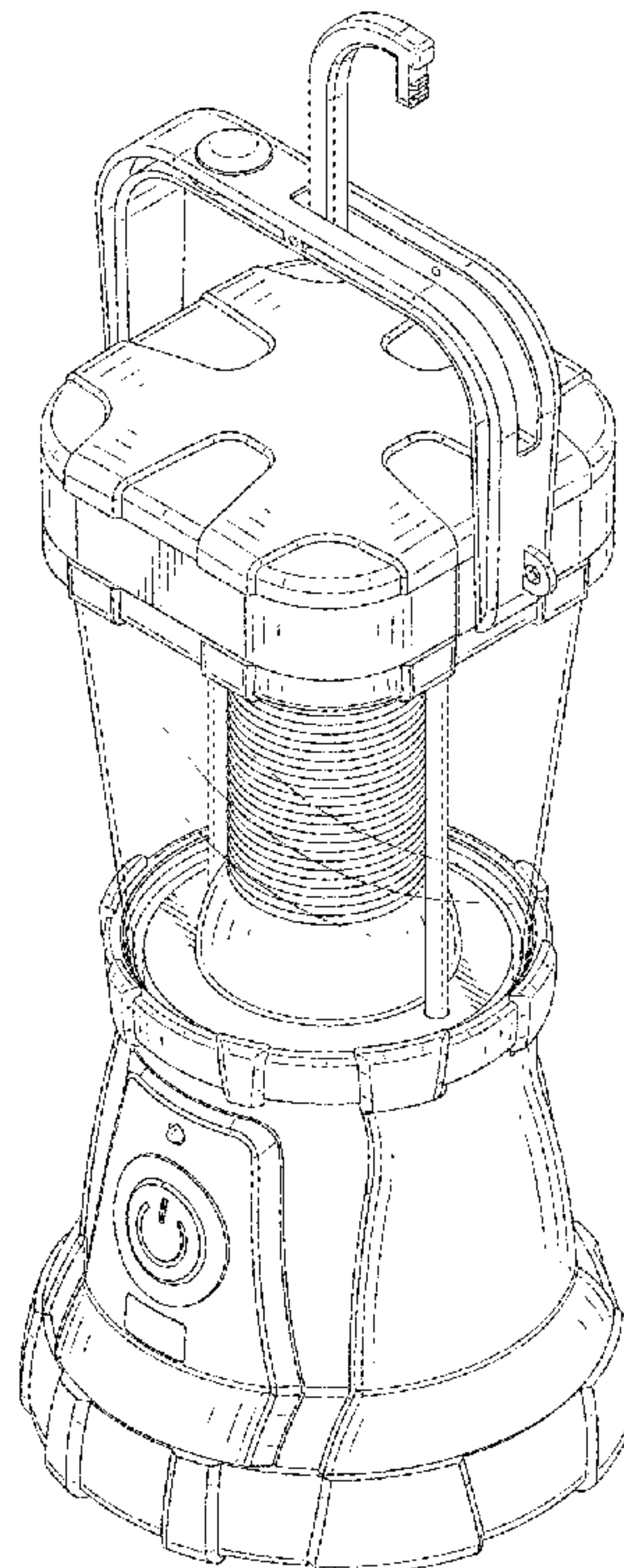
FIG. 4 is a right view of the camping light.

FIG. 5 is a top view of the camping light.

FIG. 6 is a bottom view of the camping light; and,

FIG. 7 is a perspective view of the camping light.

1 Claim, 6 Drawing Sheets



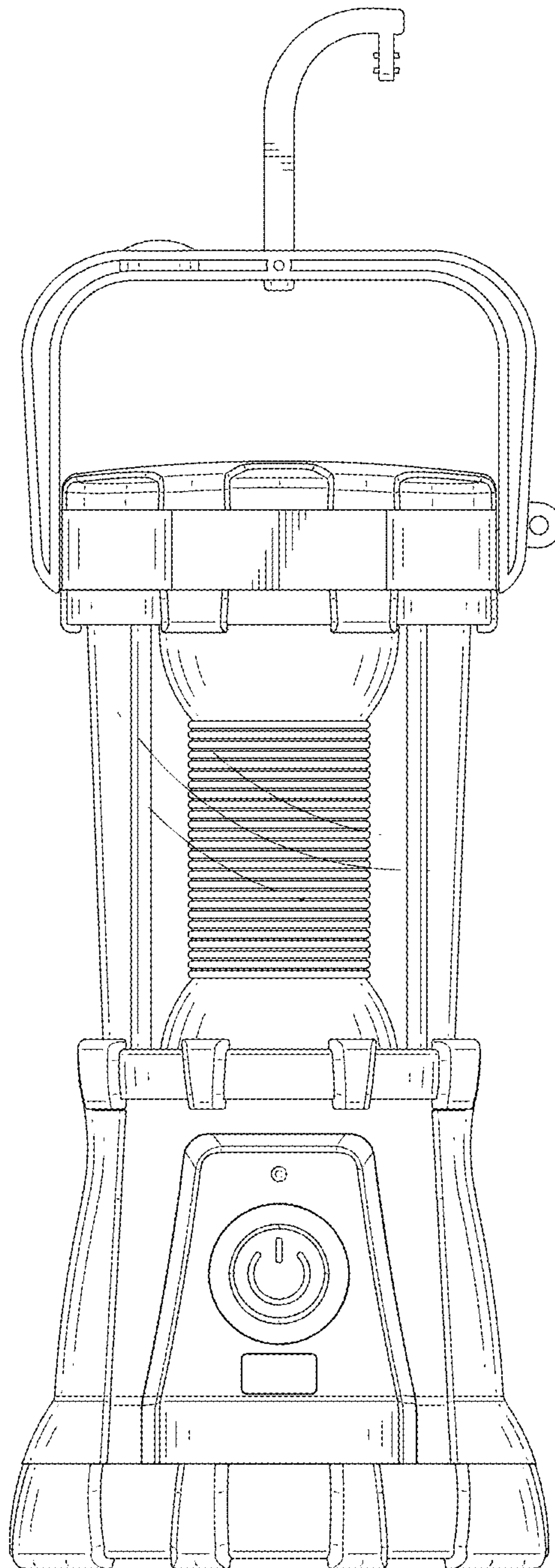


FIG.1

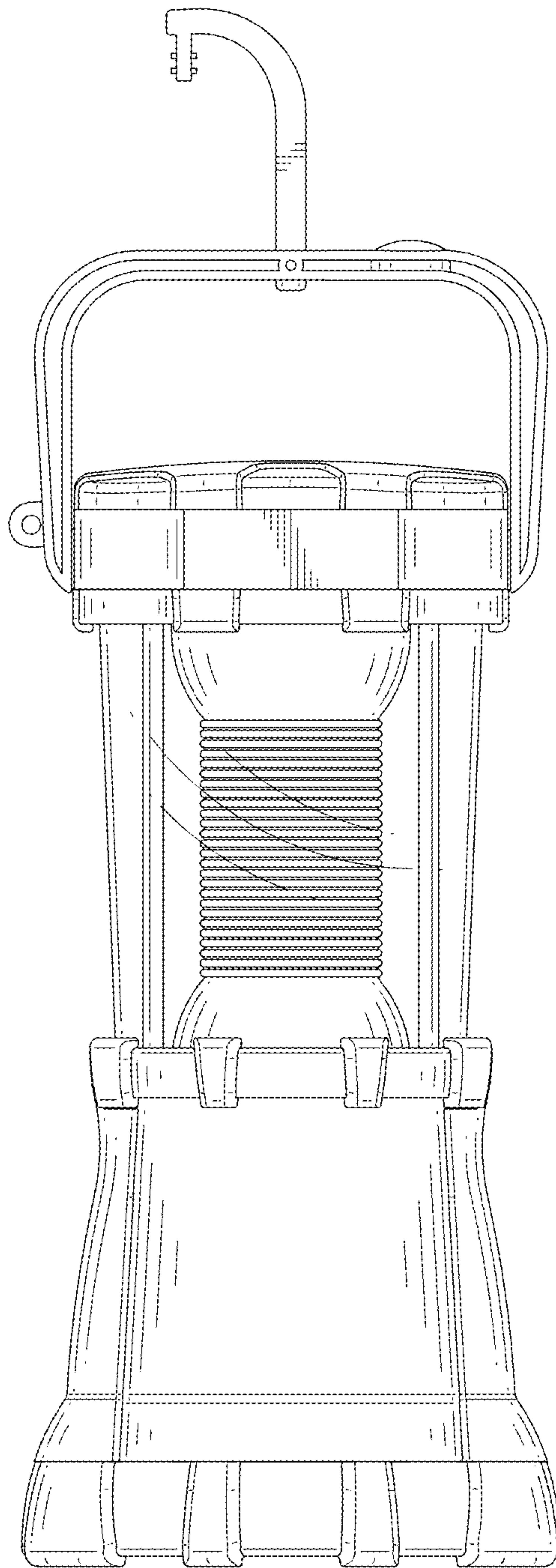


FIG.2

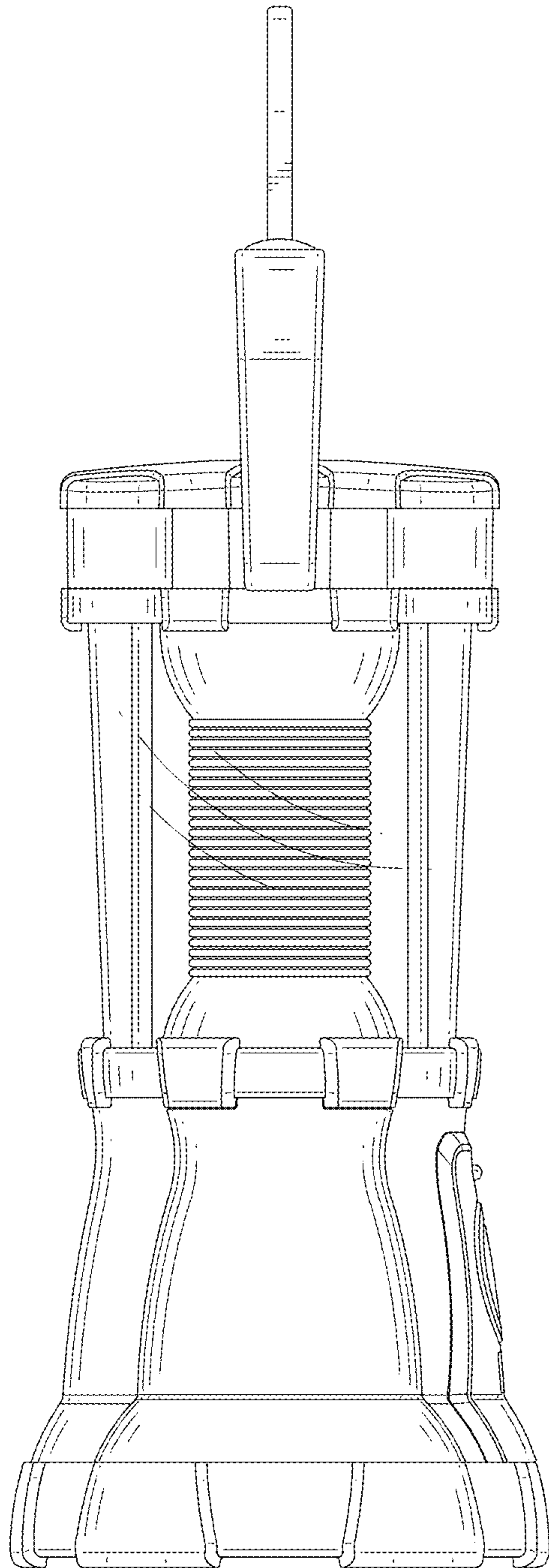


FIG.3

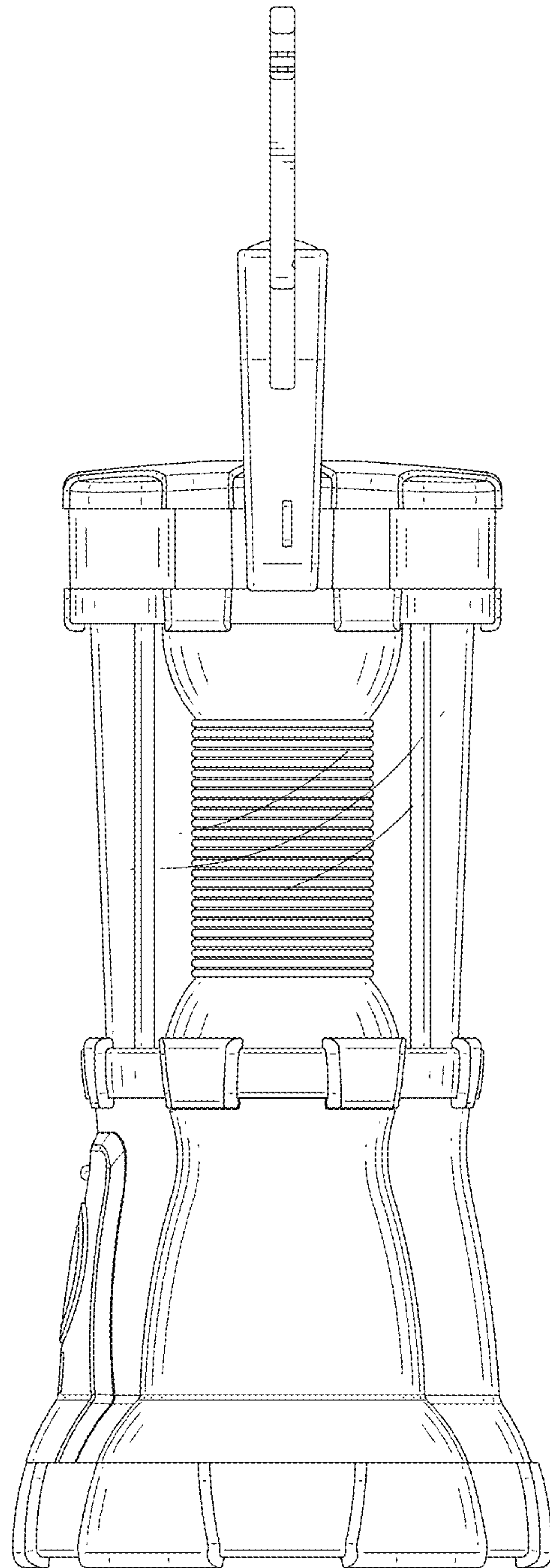


FIG.4

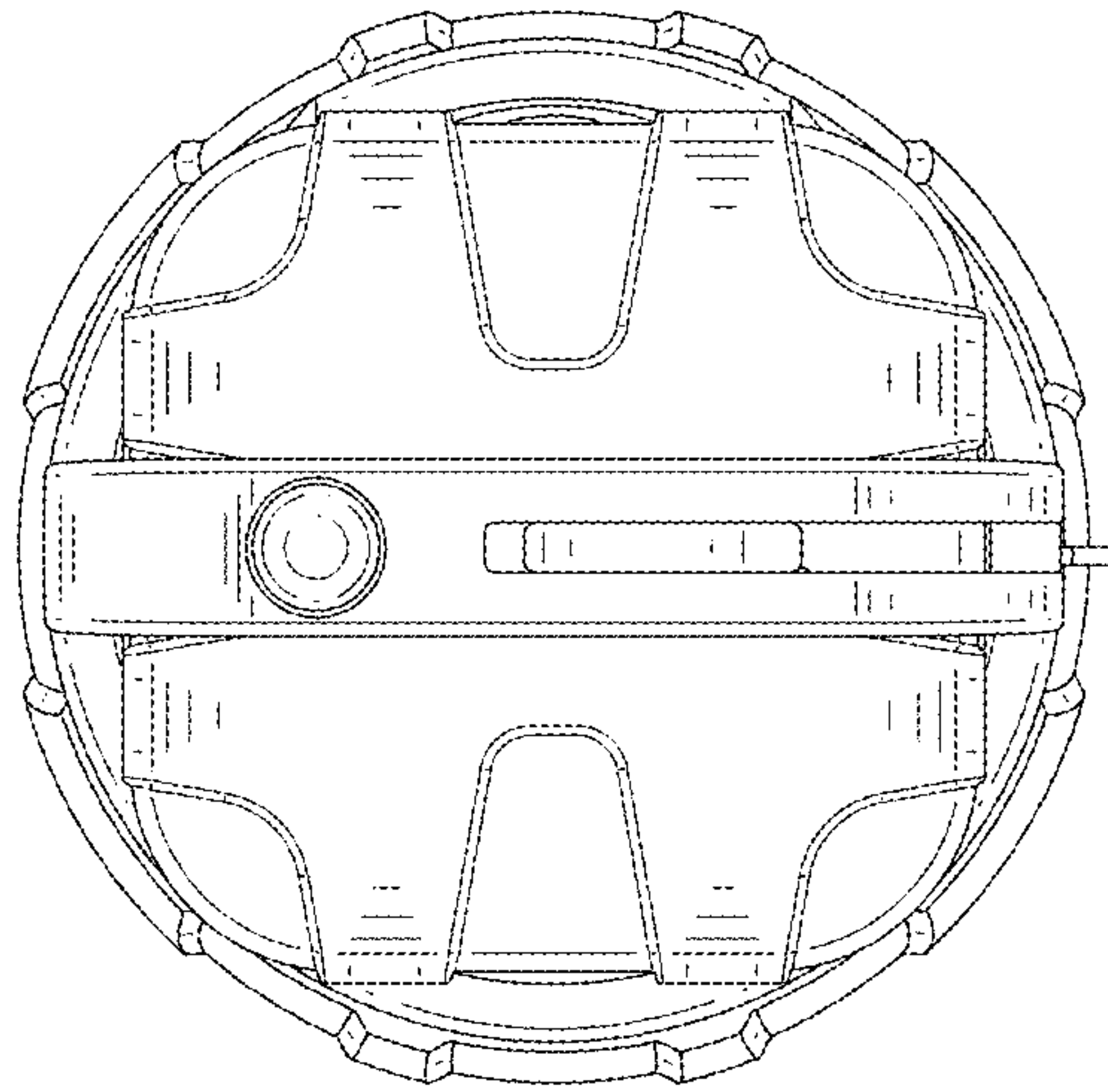


FIG.5

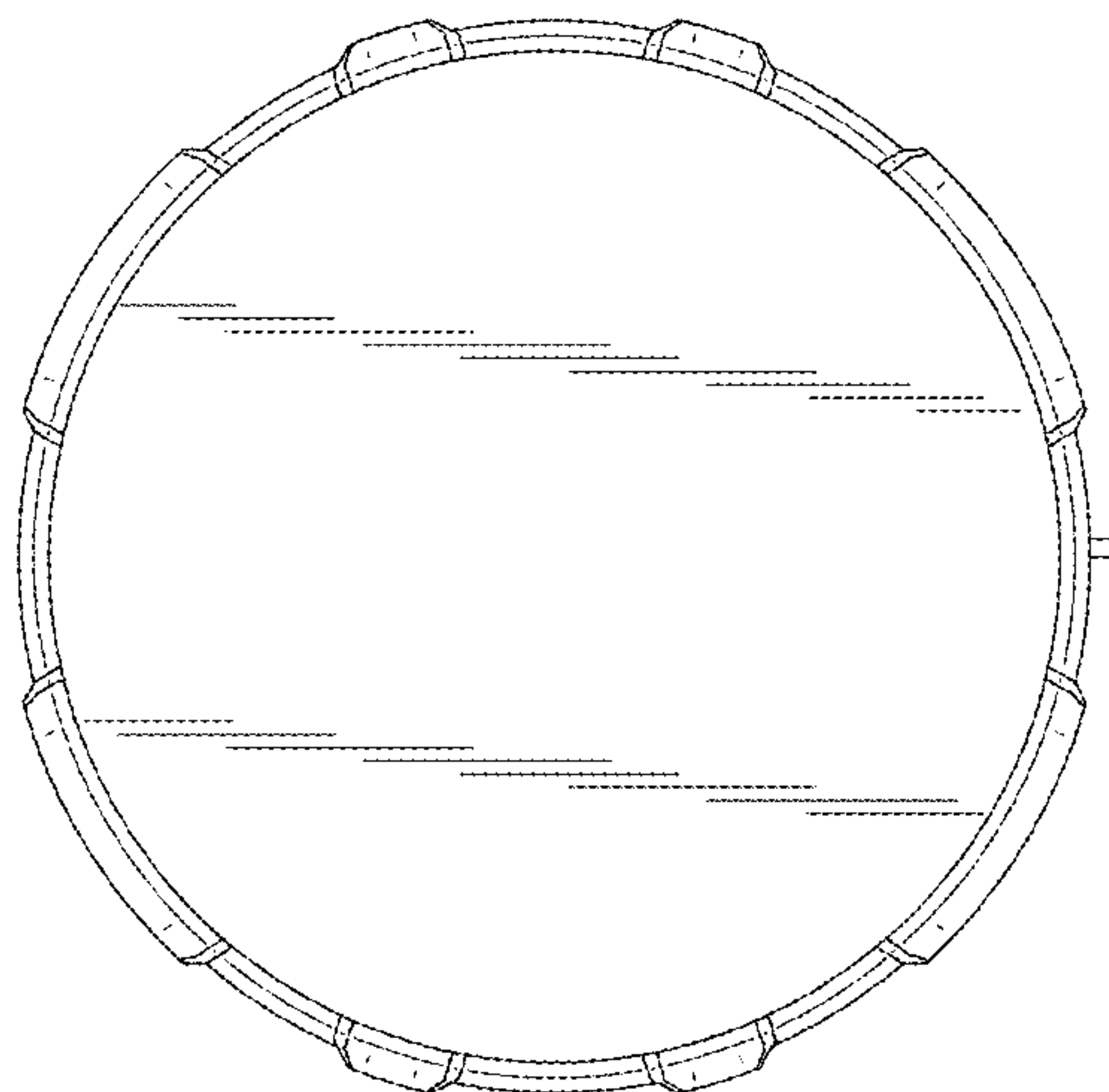


FIG.6

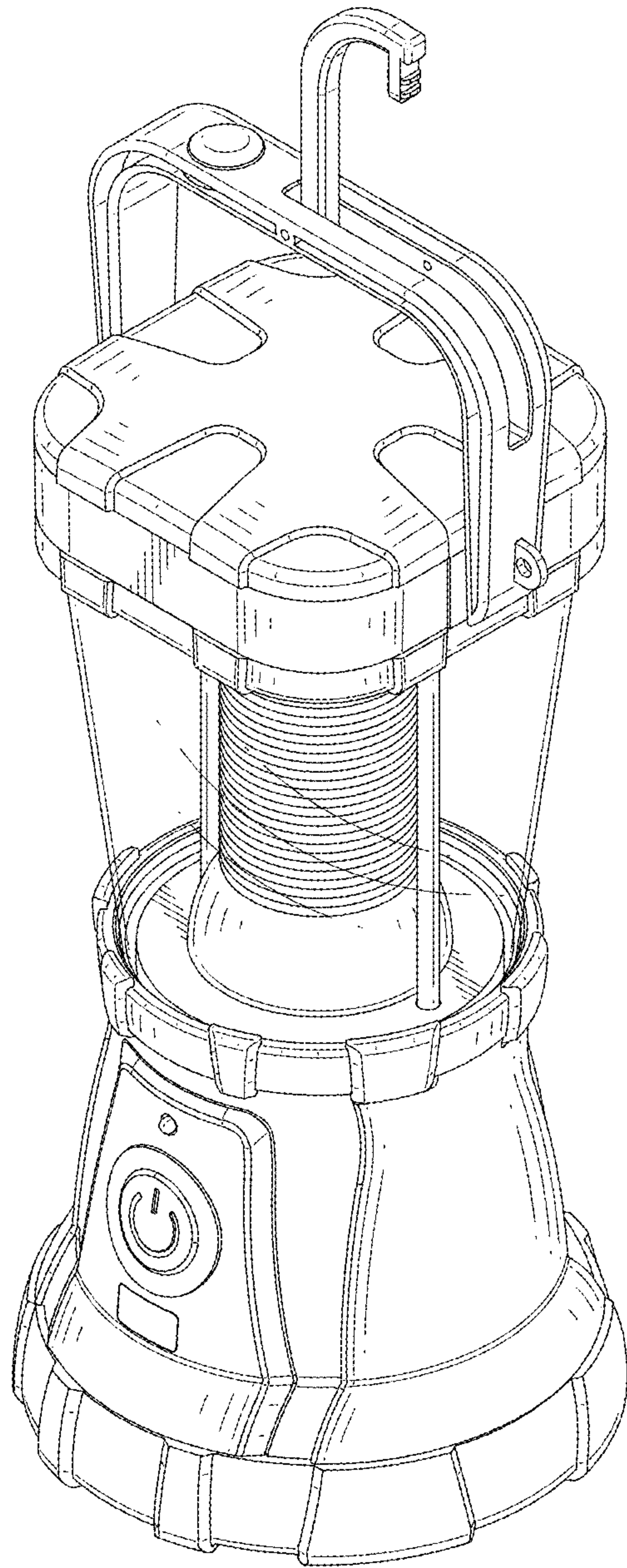


FIG.7