



US00D748835S

(12) **United States Design Patent**
Yu

(10) **Patent No.:** **US D748,835 S**
(45) **Date of Patent:** **** Feb. 2, 2016**

(54) **KNUCKLE FLASHLIGHT**

(71) Applicant: **Kai Yu**, Zhejiang (CN)

(72) Inventor: **Kai Yu**, Zhejiang (CN)

(73) Assignee: **Kai Yu**, Ningbo (CN)

(**) Term: **14 Years**

(21) Appl. No.: **29/434,352**

(22) Filed: **Oct. 12, 2012**

(51) **LOC (10) Cl.** **26-02**

(52) **U.S. Cl.**
USPC **D26/39**

(58) **Field of Classification Search**
USPC D26/37-39, 46, 49, 51; 362/103, 105,
362/106, 108, 109-112, 157, 158, 183, 184,
362/194-196, 200-208, 102, 119;
D22/117; 222/39, 113, 175, 192;
42/1.08; 361/232; 482/108
CPC F21L 2/00; F21L 4/00; F21L 4/005;
F21L 17/00; F21L 13/08; F21Y 2101/00;
F21V 21/30; F21V 21/406; F21W 2131/406;
F21W 2131/407
See application file for complete search history.

(56) **References Cited**

U.S. PATENT DOCUMENTS

3,865,370 A * 2/1975 Rogers 30/165
D365,622 S * 12/1995 Edwards D22/117

D371,214 S * 6/1996 Terry, Sr. D26/49
5,556,003 A * 9/1996 Johnson et al. 222/39
5,875,945 A * 3/1999 Roach 224/217
5,893,483 A * 4/1999 Duran 222/39
D561,294 S * 2/2008 Pennington D22/117
D576,246 S * 9/2008 Pennington D22/117
D580,710 S * 11/2008 Huggins D7/515
D609,346 S * 2/2010 Yu D24/168
D612,524 S * 3/2010 Booher D26/39
D651,205 S * 12/2011 Soekoro D14/250
D651,732 S * 1/2012 Hopkins D26/39
D674,380 S * 1/2013 Soekoro D14/250
8,363,376 B2 * 1/2013 Abatemarco 361/232

* cited by examiner

Primary Examiner — Ian Simmons

Assistant Examiner — Carissa C Fitts

(74) *Attorney, Agent, or Firm* — Brundidge & Stanger, P.C.

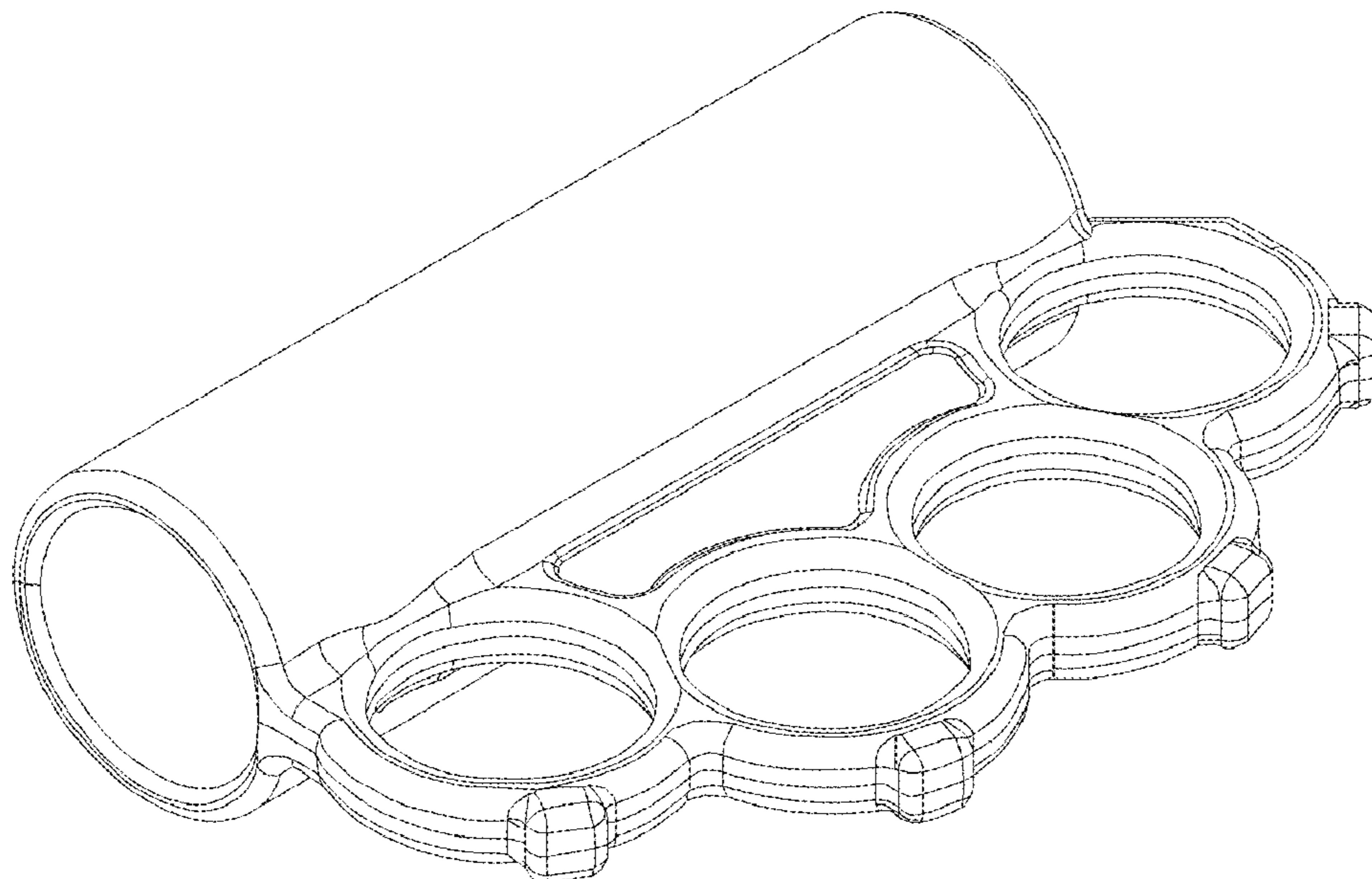
(57) **CLAIM**

The ornamental design for a knuckle flashlight, as shown and described.

DESCRIPTION

FIG. 1 is the front view of a knuckle flashlight showing my new design;
FIG. 2 is the top view thereof;
FIG. 3 is the bottom view thereof;
FIG. 4 is the left perspective view thereof;
FIG. 5 is the right perspective view thereof;
FIG. 6 is the left view thereof; and,
FIG. 7 is the right view thereof.

1 Claim, 4 Drawing Sheets



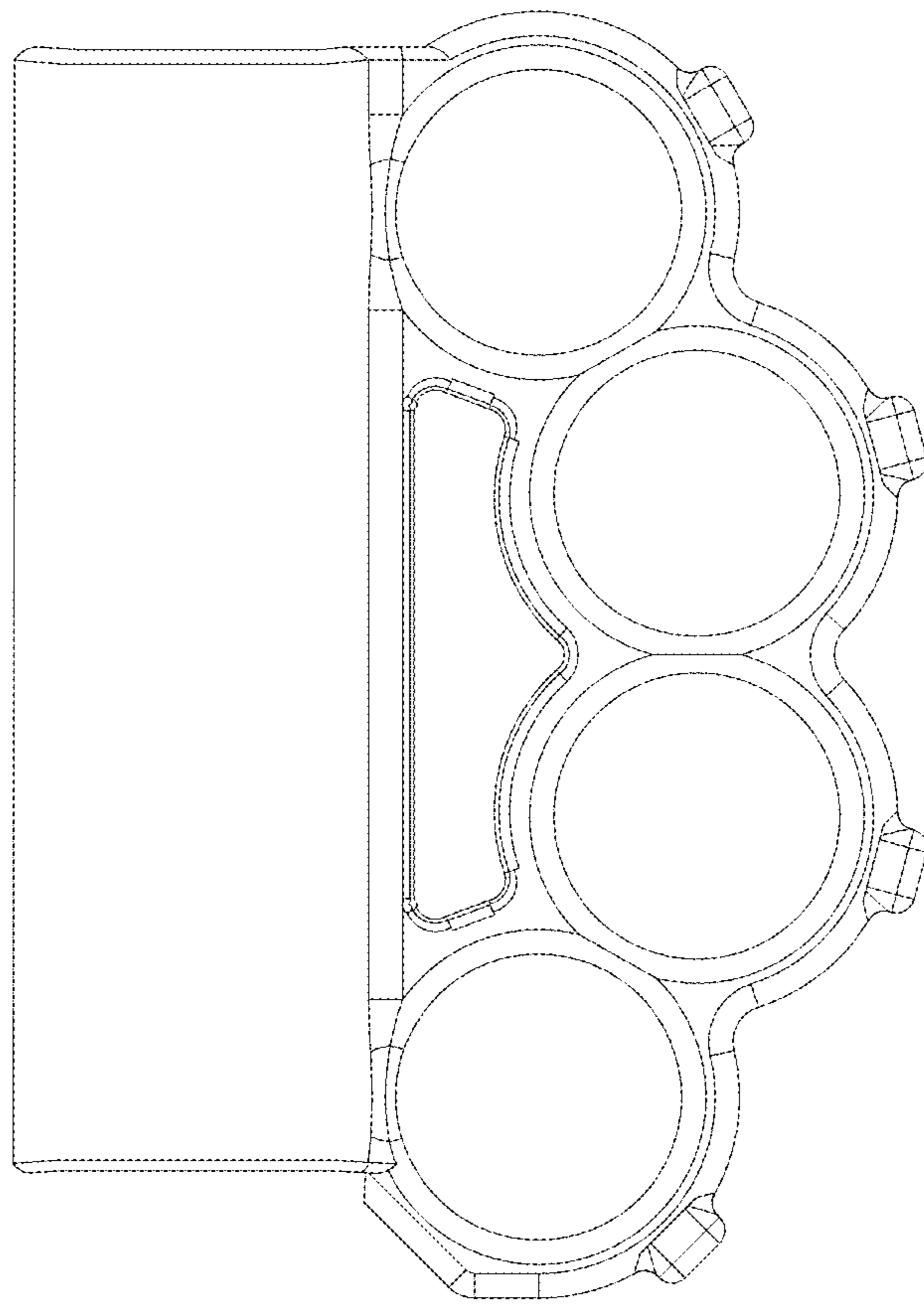


FIG. 1

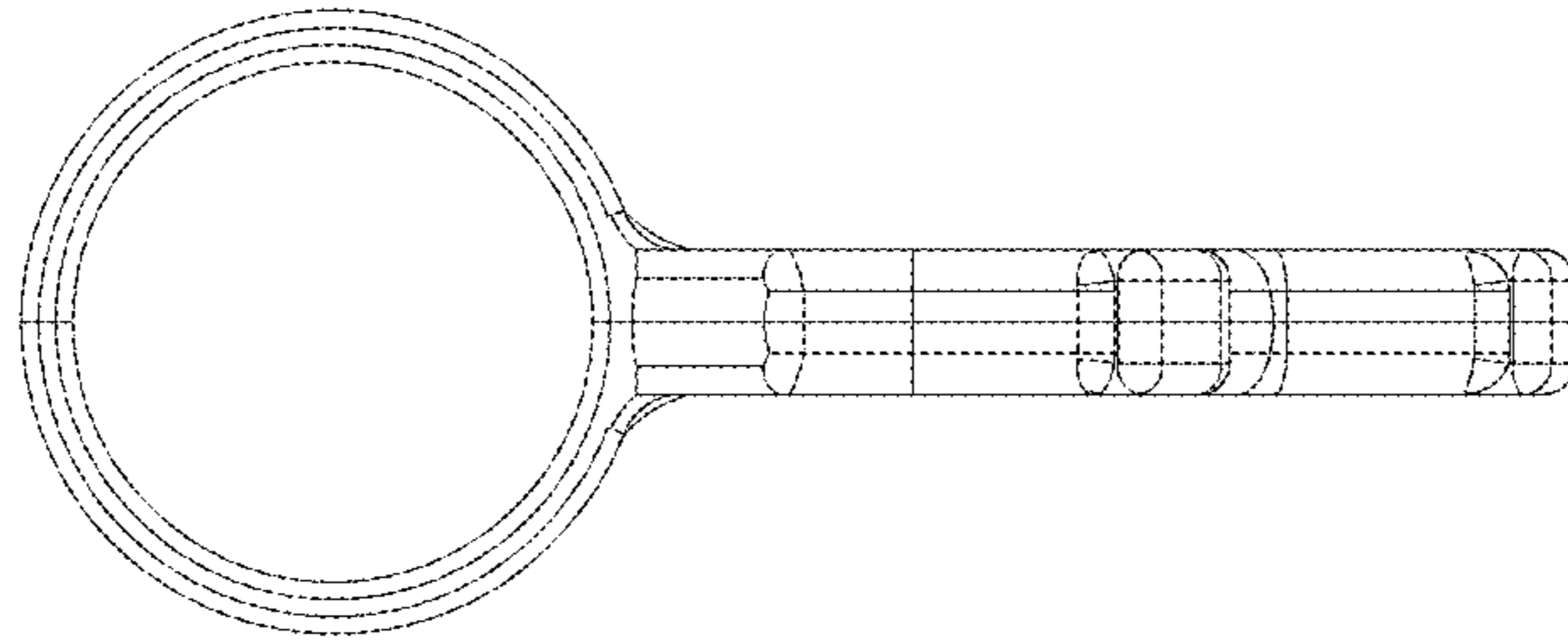


FIG. 2

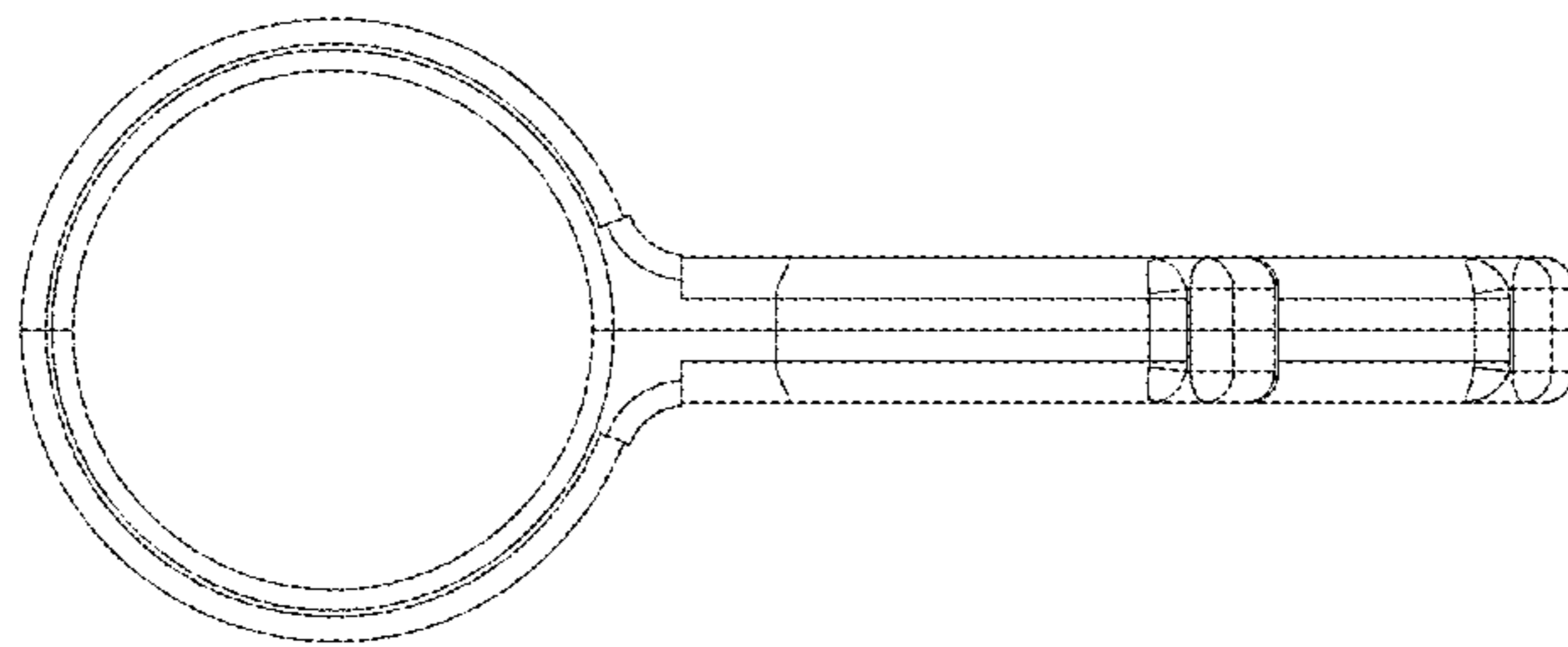


FIG. 3

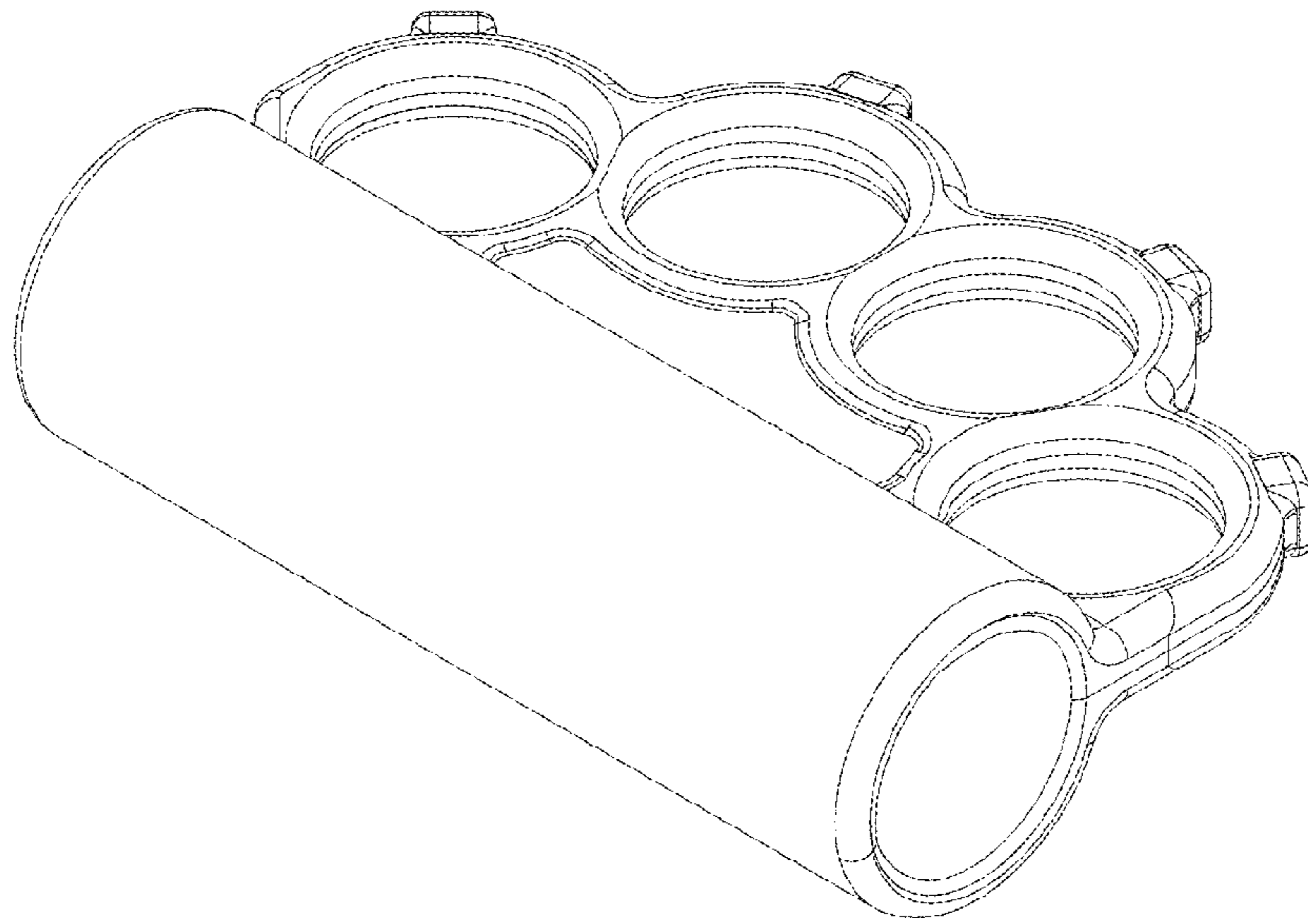


FIG. 4

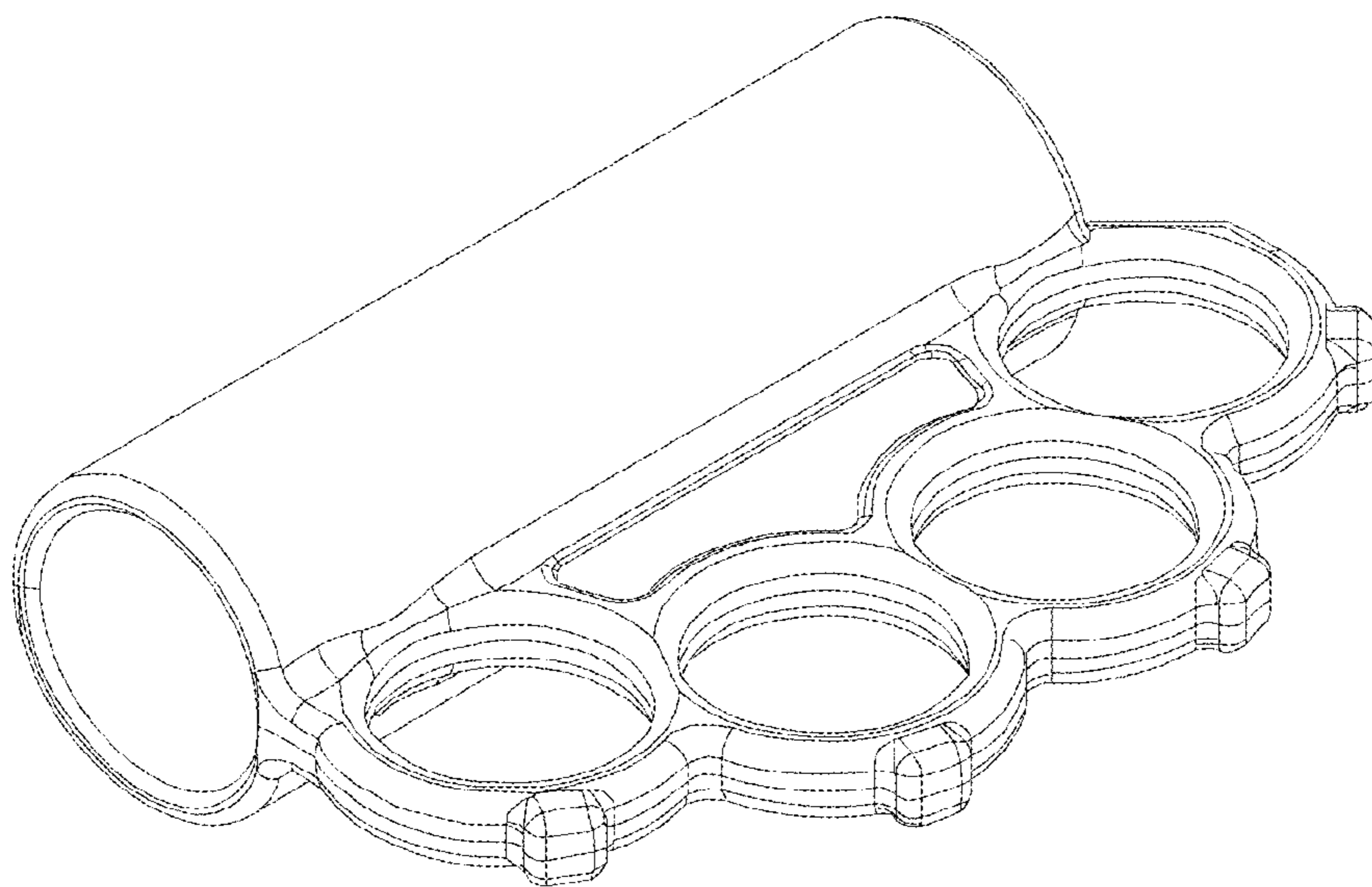


FIG. 5



FIG. 6

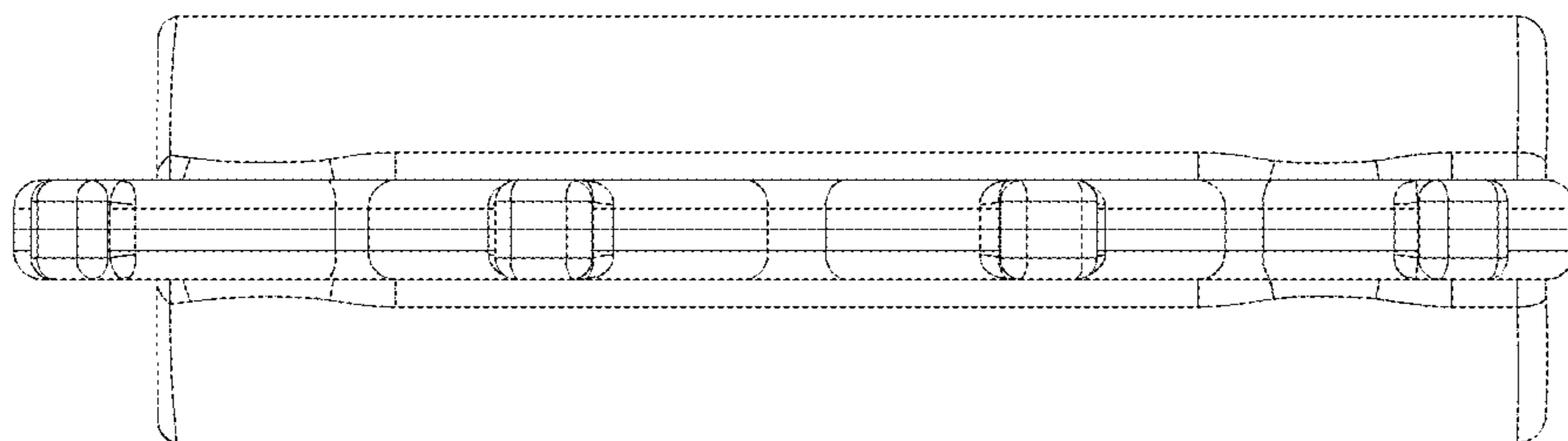


FIG. 7