



US00D748834S

(12) **United States Design Patent**
Huang

(10) **Patent No.:** **US D748,834 S**

(45) **Date of Patent:** **** Feb. 2, 2016**

(54) **LIGHTING DEVICE**

(71) Applicant: **Chia-Ling Huang**, Taichung (TW)

(72) Inventor: **Chia-Ling Huang**, Taichung (TW)

(**) Term: **14 Years**

(21) Appl. No.: **29/503,372**

(22) Filed: **Sep. 25, 2014**

(51) **LOC (10) Cl.** **26-02**

(52) **U.S. Cl.**
USPC **D26/38; D26/49**

(58) **Field of Classification Search**
USPC D26/37-51, 56-60, 67; 362/103-105,
362/184, 194-196, 202-206; D22/117
CPC F21L 4/00; F21L 4/005; F21L 4/022;
F21L 4/025; F21L 4/027; F21L 7/00; F21L
19/00; F21V 21/084; F21V 21/0085; F21W
2111/10

See application file for complete search history.

(56) **References Cited**

U.S. PATENT DOCUMENTS

D350,271 S *	9/1994	Landy	D26/38
D353,011 S *	11/1994	Miller	D26/38
D403,452 S *	12/1998	Kim	D26/38
D408,090 S *	4/1999	Monteleone	D26/37
D435,922 S *	1/2001	Shing	D26/49
D463,051 S *	9/2002	Shiu	D26/38
6,663,257 B2 *	12/2003	Galli	B26B 11/008 362/102
D504,737 S *	5/2005	Osiecki	D26/37

D524,975 S *	7/2006	Oas	D26/56
D603,240 S *	11/2009	Kunzendorf	D26/38
D622,125 S *	8/2010	Robinson	D26/38
D685,510 S *	7/2013	Henry	D26/60

* cited by examiner

Primary Examiner — Sandra Morris

(74) *Attorney, Agent, or Firm* — WPAT, P.C.; Anthony King

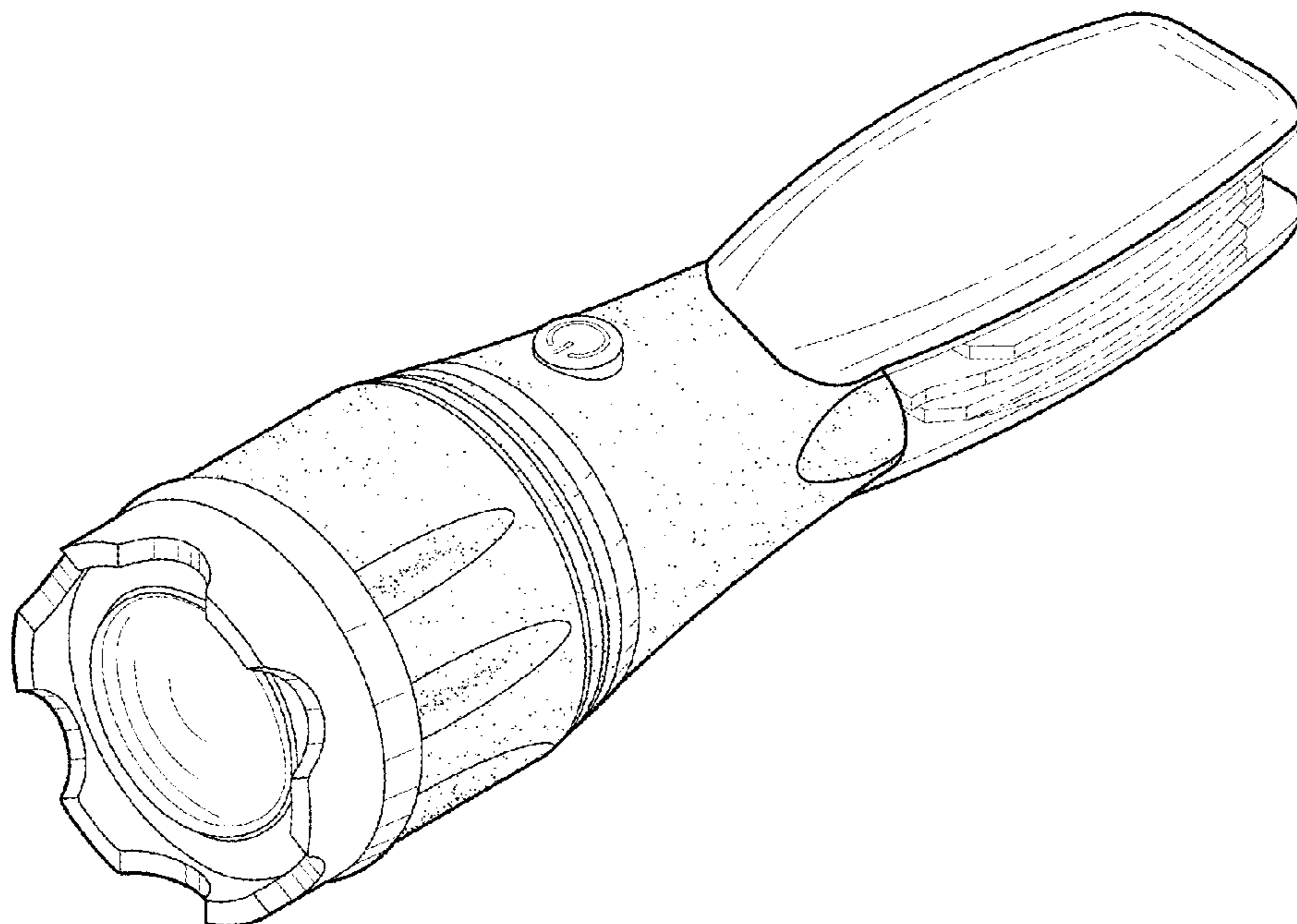
(57) **CLAIM**

The ornamental design for a lighting device, as shown and described.

DESCRIPTION

FIG. 1 is a perspective view of a lighting device showing my new design;
 FIG. 2 is a front elevational view thereof;
 FIG. 3 is a rear elevational view thereof;
 FIG. 4 is a left side elevational view thereof;
 FIG. 5 is a right side elevational view thereof;
 FIG. 6 is a top plan view thereof;
 FIG. 7 is a bottom plan view thereof;
 FIG. 8 is another perspective view thereof;
 FIG. 9 is a top plan view where the tools are opened thereof;
 and,
 FIG. 10 is a top plan view where the tools are not opened status thereof.
 The broken lines shown represent unclaimed subject matter and form no part of the claimed design.

1 Claim, 10 Drawing Sheets



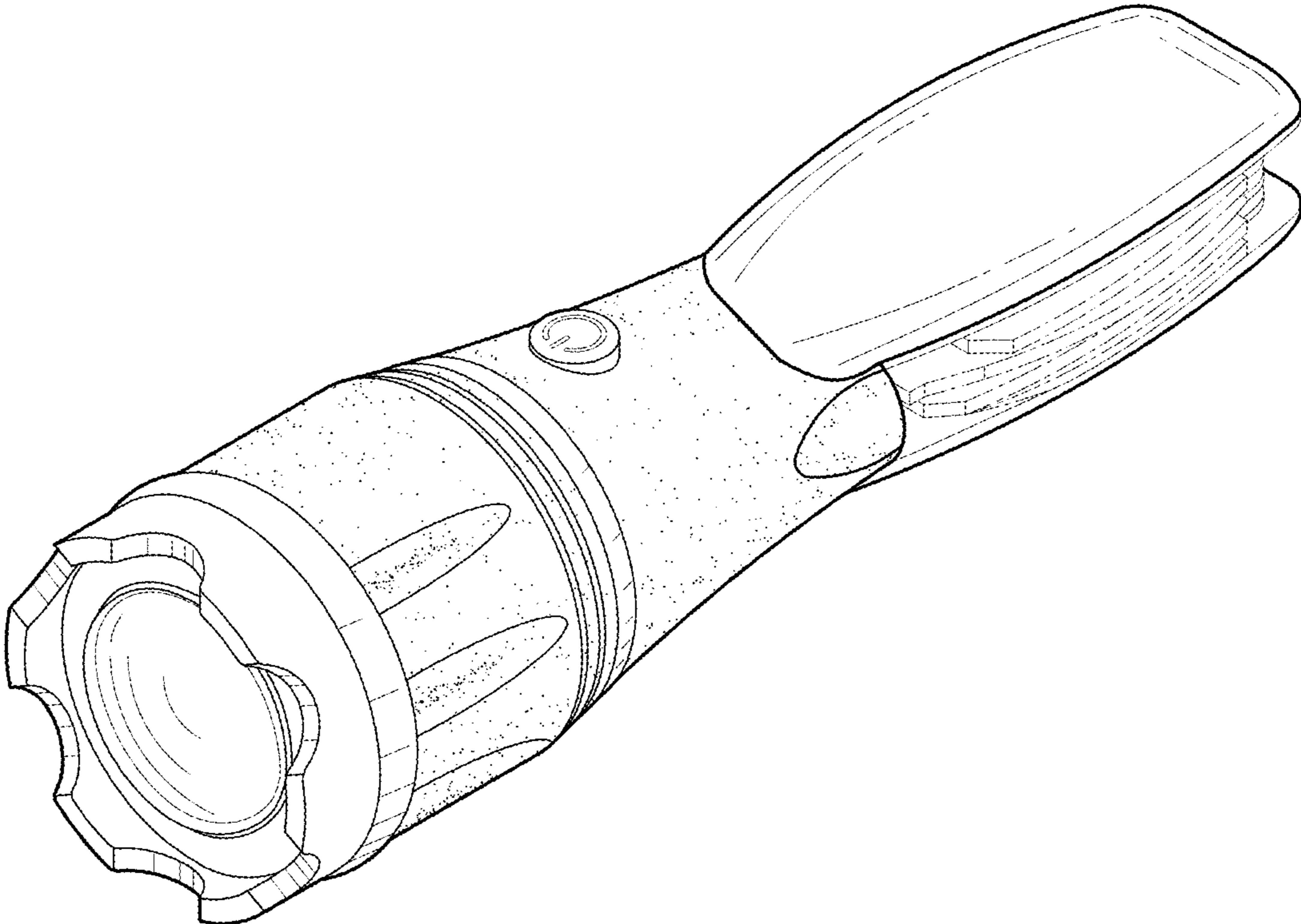


FIG.1

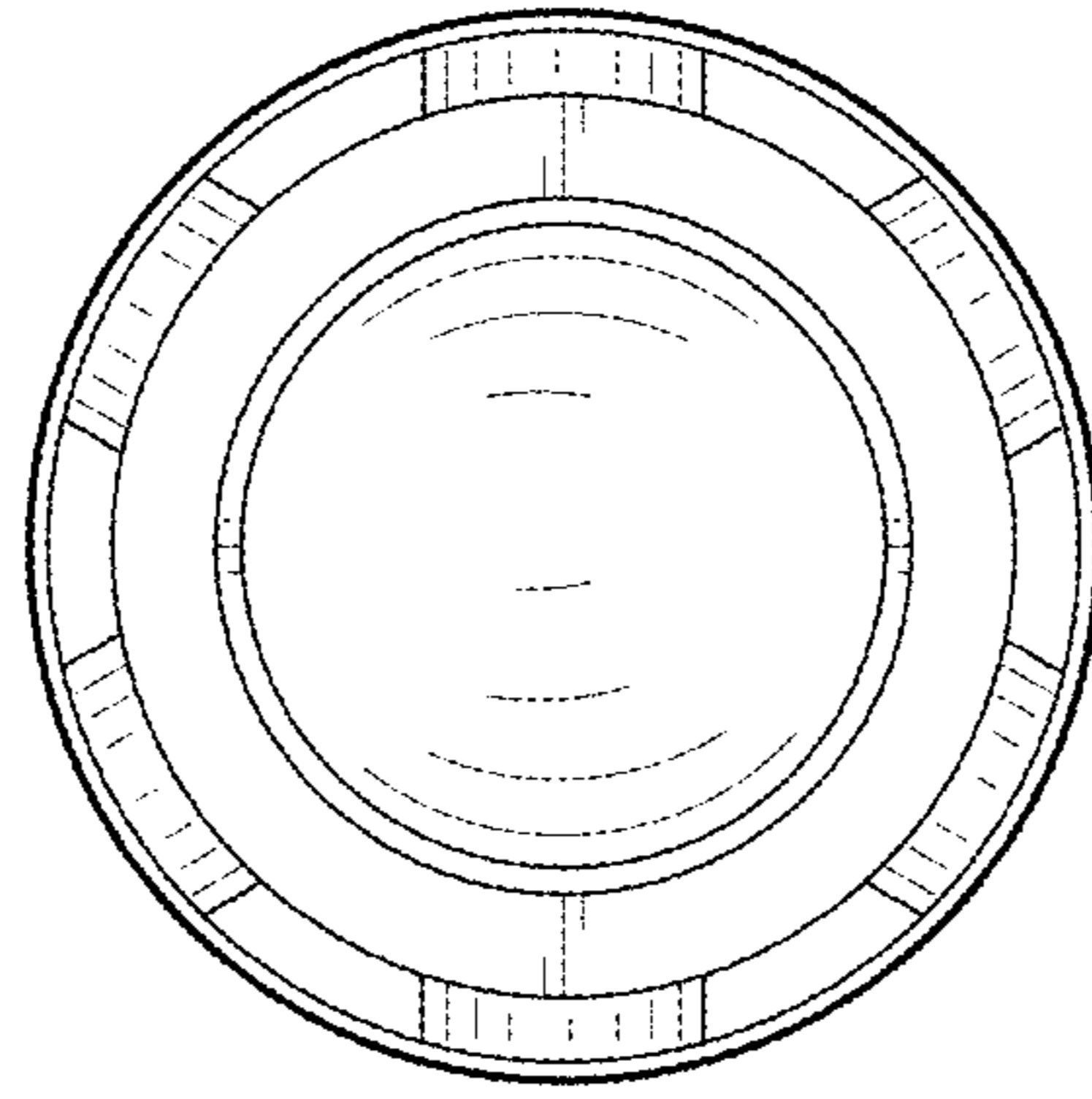


FIG.2

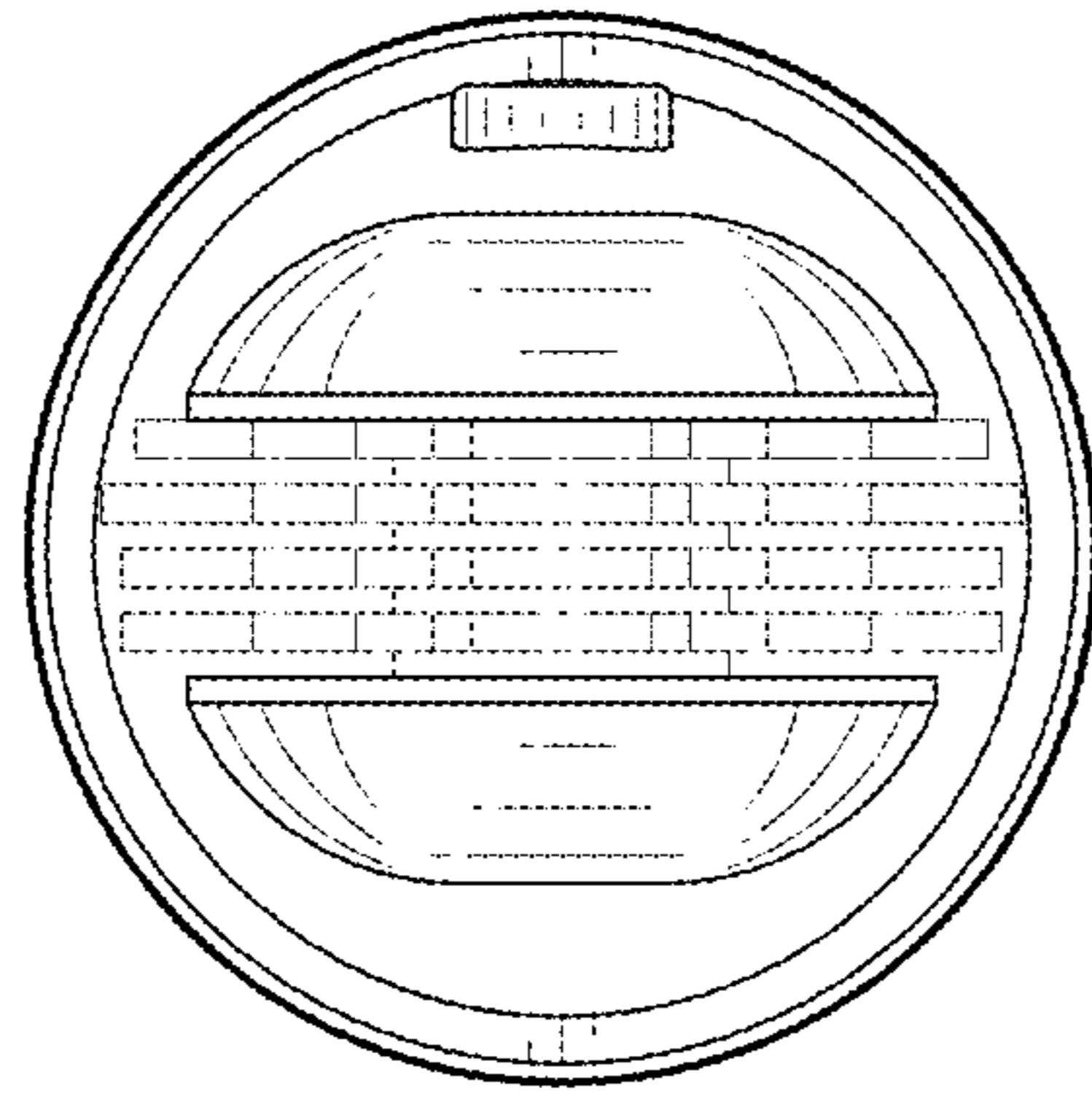


FIG.3

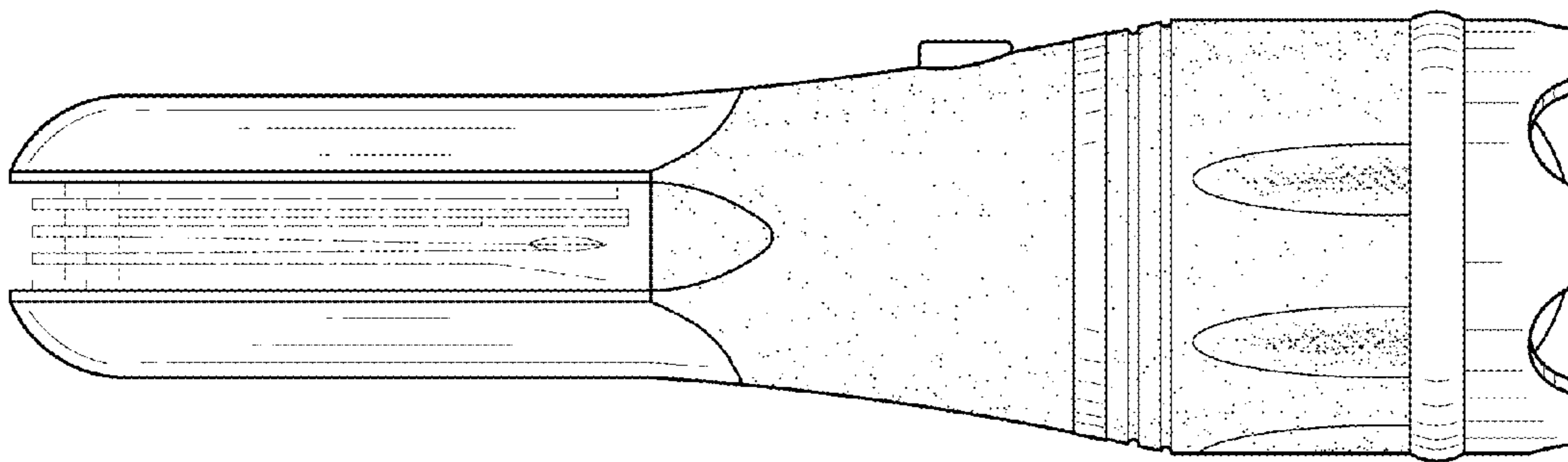


FIG.4

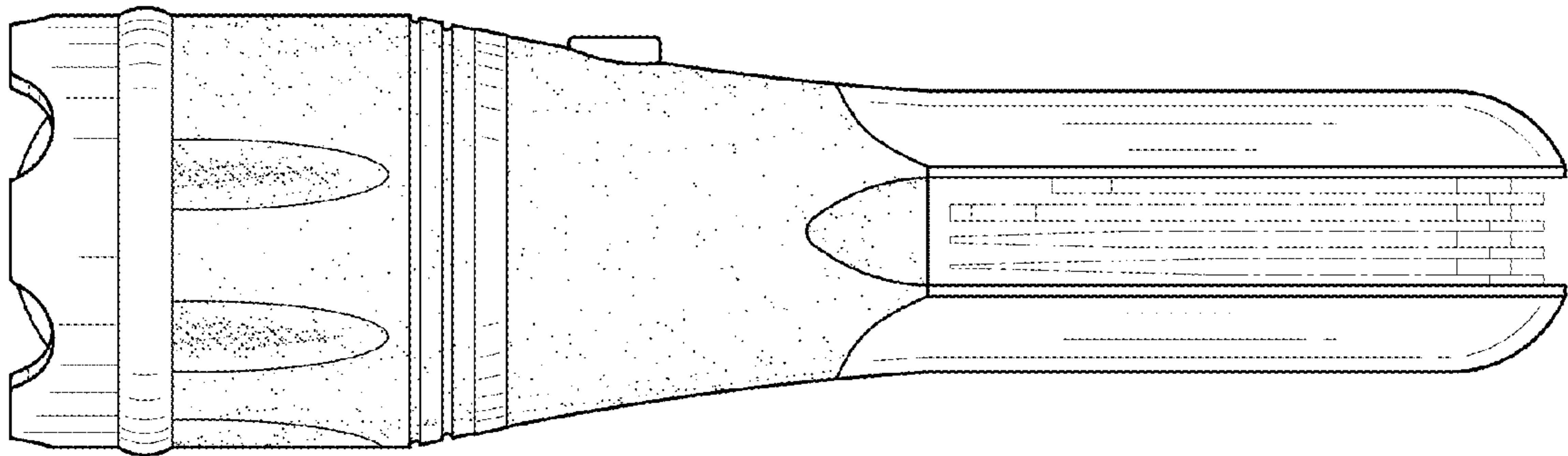


FIG.5

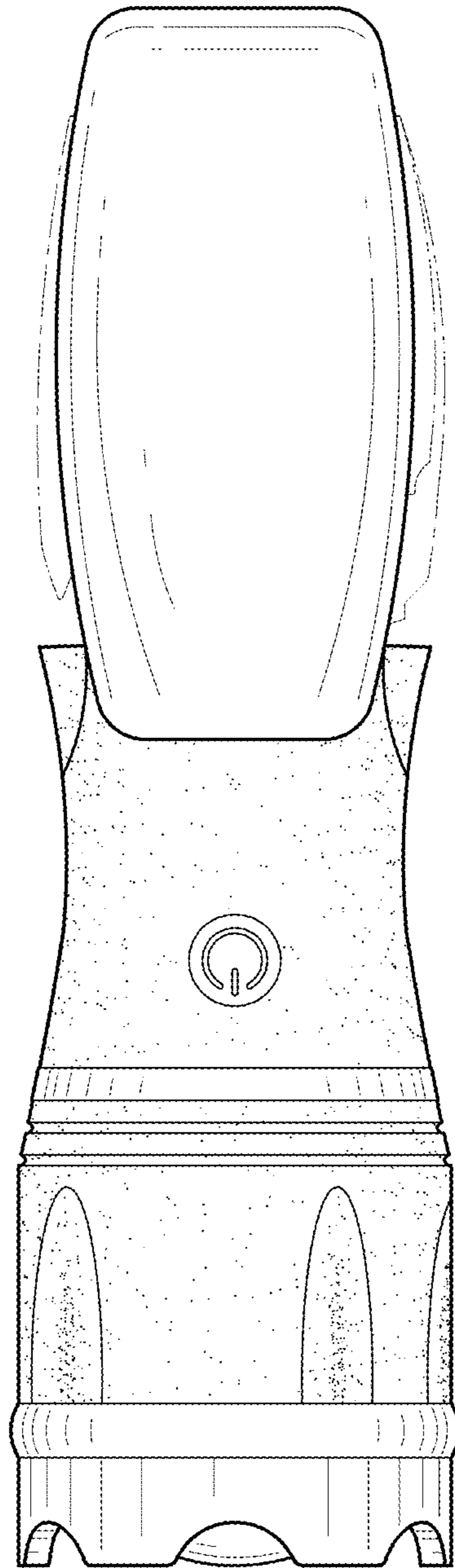


FIG.6

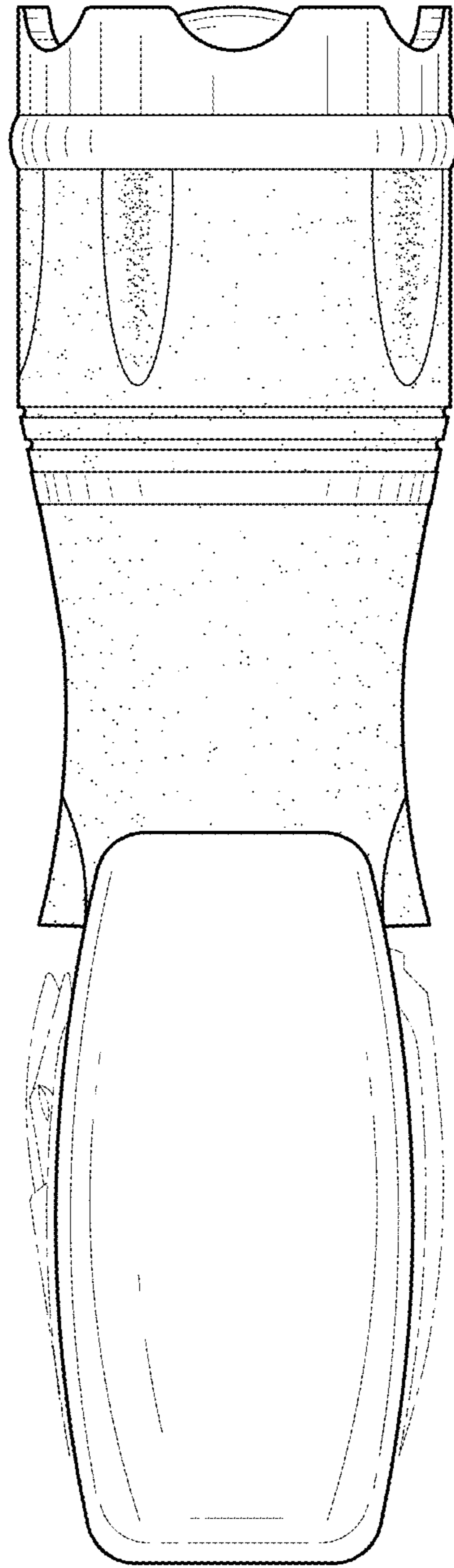


FIG.7

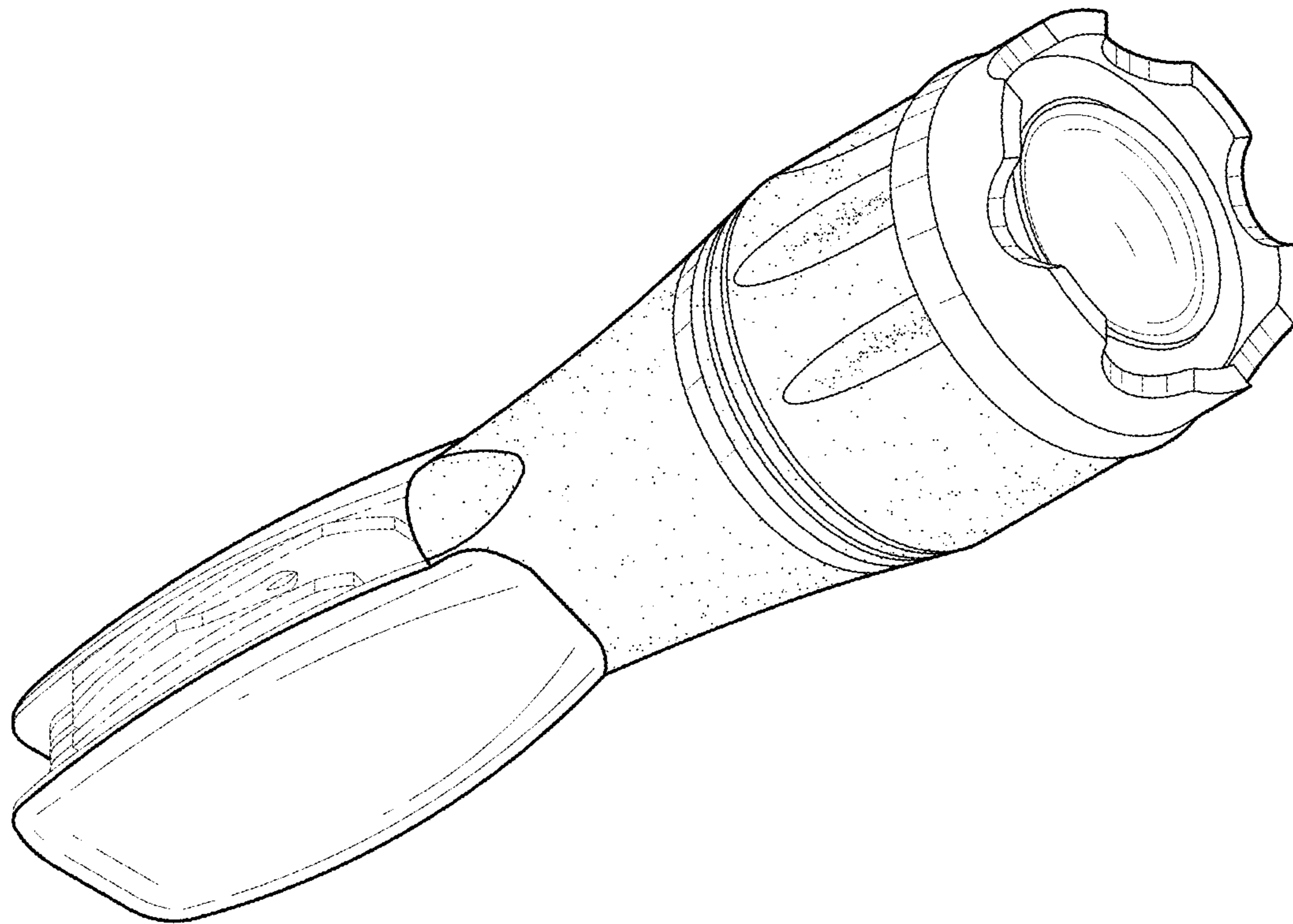


FIG.8

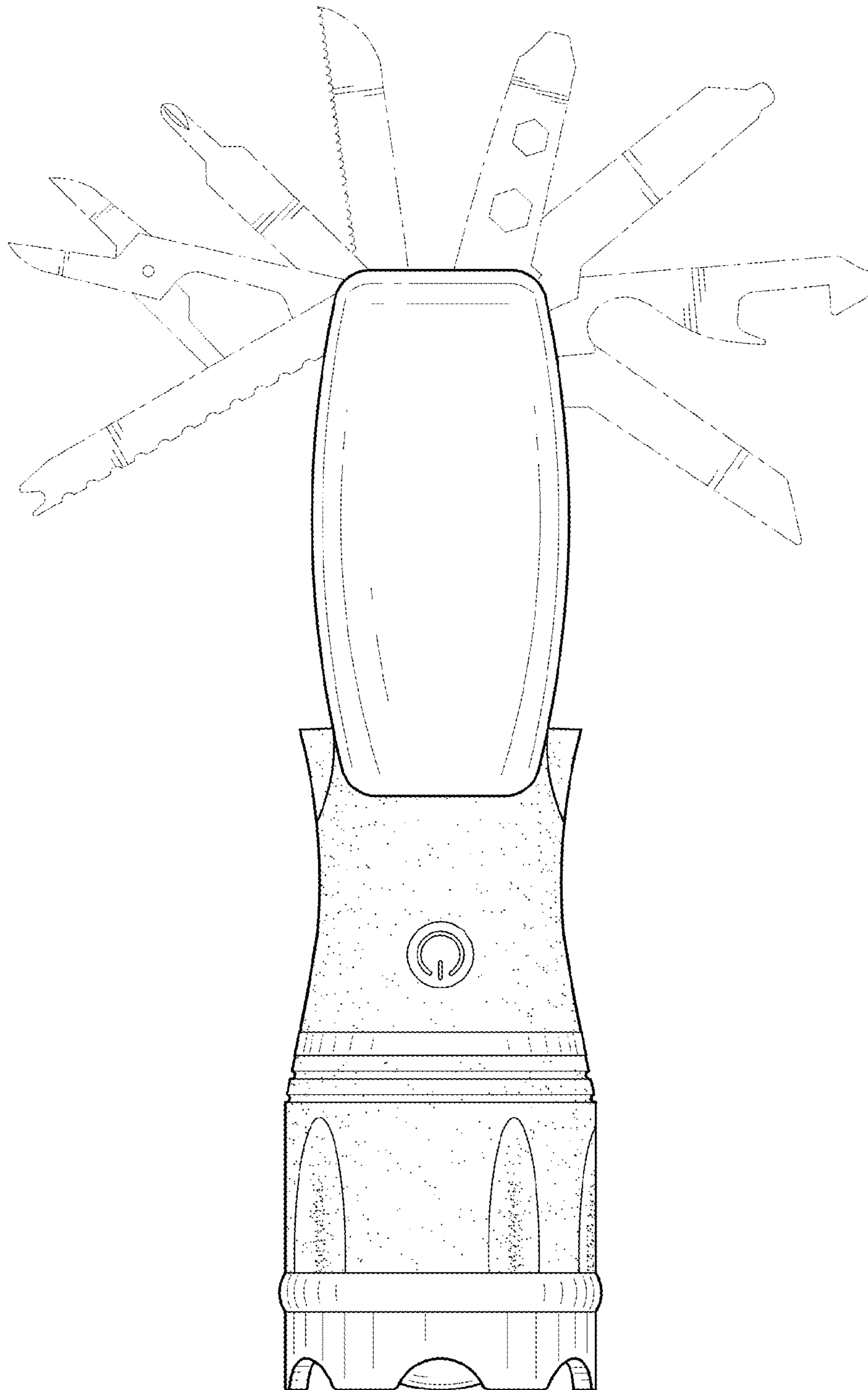


FIG.9

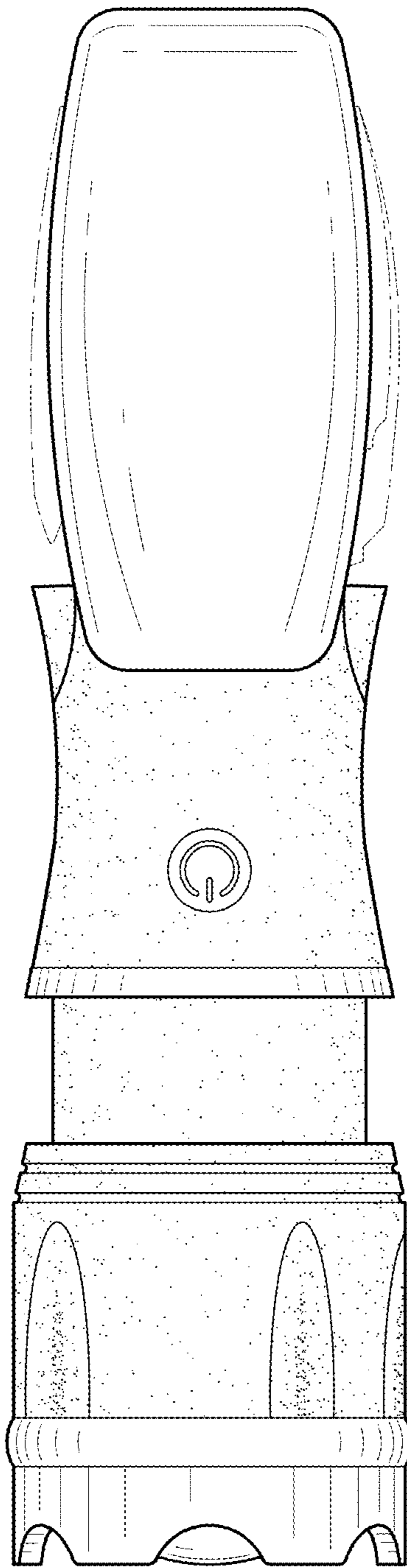


FIG. 10