



US00D748831S

(12) **United States Design Patent**
Fan

(10) **Patent No.:** **US D748,831 S**
(45) **Date of Patent:** **** Feb. 2, 2016**

(54) **DRIVING LAMP**

(71) Applicant: **Guangzhou Hanma Electronic Technology Co., Ltd.**, Guangzhou (CN)

(72) Inventor: **Shijun Fan**, Xiangfan (CN)

(73) Assignee: **Guangzhou Hanma Electronic Technology Co., Ltd.**, Guangzhou (CN)

(**) Term: **14 Years**

(21) Appl. No.: **29/501,409**

(22) Filed: **Sep. 4, 2014**

(51) **LOC (10) Cl.** **26-04**

(52) **U.S. Cl.**
USPC **D26/28**

(58) **Field of Classification Search**
USPC D26/28-36; 362/459-468, 475-478,
362/485-487
CPC F21S 48/00; F21S 48/10; F21S 48/115;
F21S 48/225; F21S 48/1233; F21S 48/1266;
F21S 48/1388; F21S 48/2268; F21V 21/04

See application file for complete search history.

(56) **References Cited**

U.S. PATENT DOCUMENTS

D601,727 S *	10/2009	Huang	D26/28
D605,789 S *	12/2009	Ko	D26/28
D626,670 S *	11/2010	Metzger	D26/28
D657,081 S *	4/2012	Alisaukas	D26/28
D670,839 S *	11/2012	Smarslik	D26/28
D694,920 S *	12/2013	Jurgens	D26/28

* cited by examiner

Primary Examiner — Marcus Jackson

(74) *Attorney, Agent, or Firm* — Brundidge & Stanger, P.C.

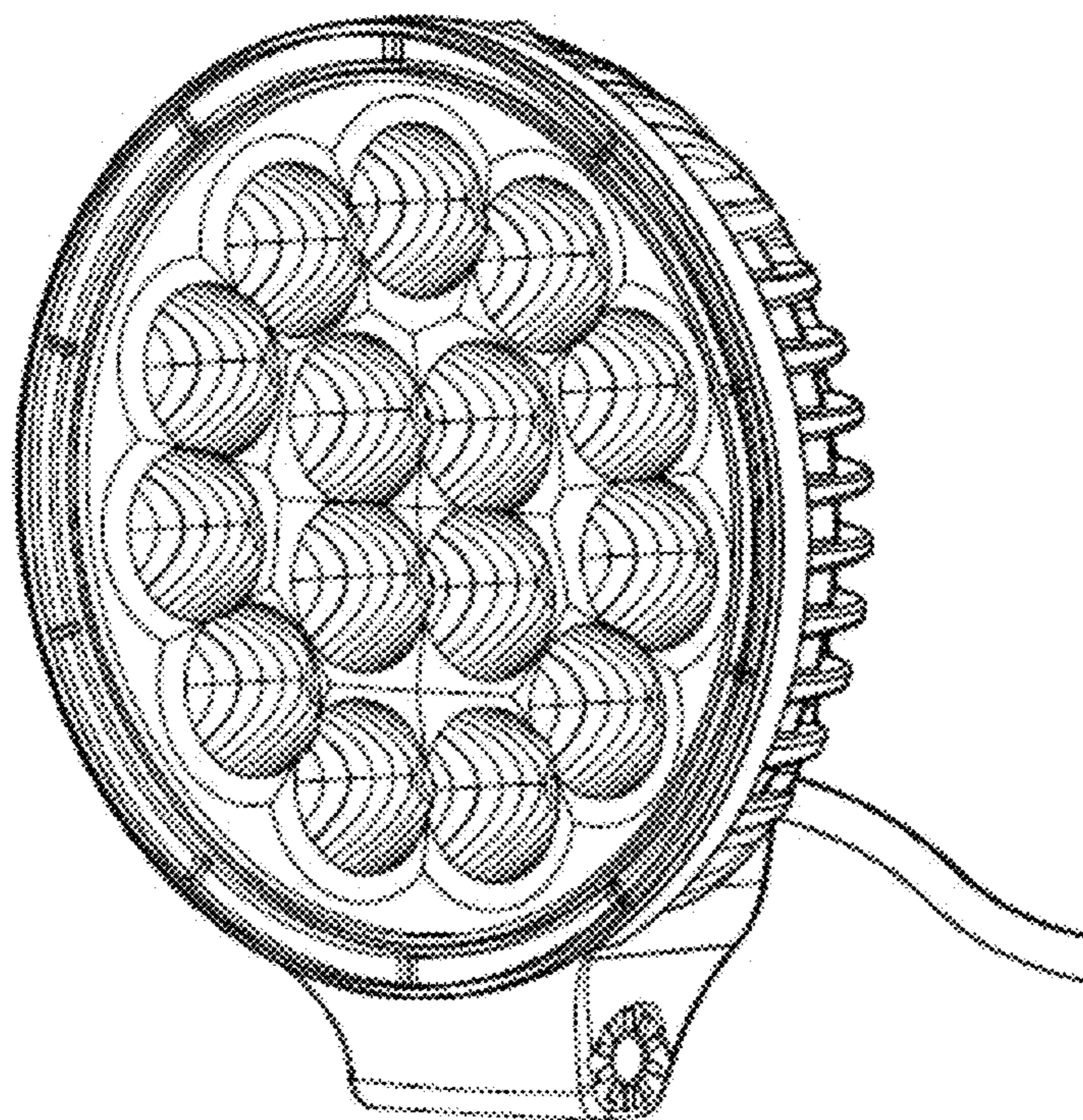
(57) **CLAIM**

The ornamental design for a driving lamp, as shown and described.

DESCRIPTION

FIG. 1 is a front view of a driving lamp showing my new design with the wire broken away at the end to indicate indeterminate length;
FIG. 2 is rear view thereof;
FIG. 3 is a perspective view thereof;
FIG. 4 is a top view thereof;
FIG. 5 is a bottom view thereof;
FIG. 6 is a left view thereof; and,
FIG. 7 is a right view.

1 Claim, 7 Drawing Sheets



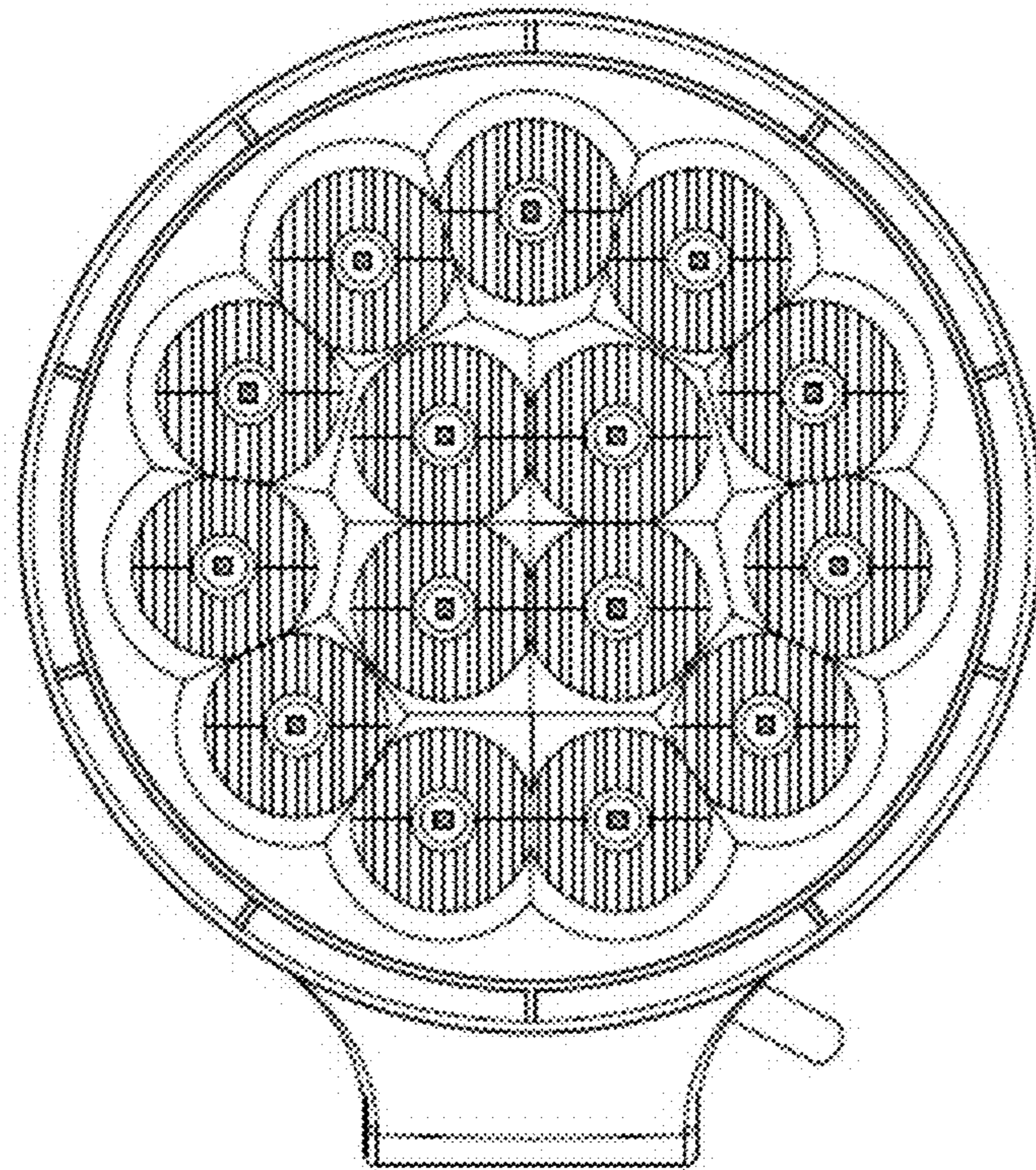


FIG. 1

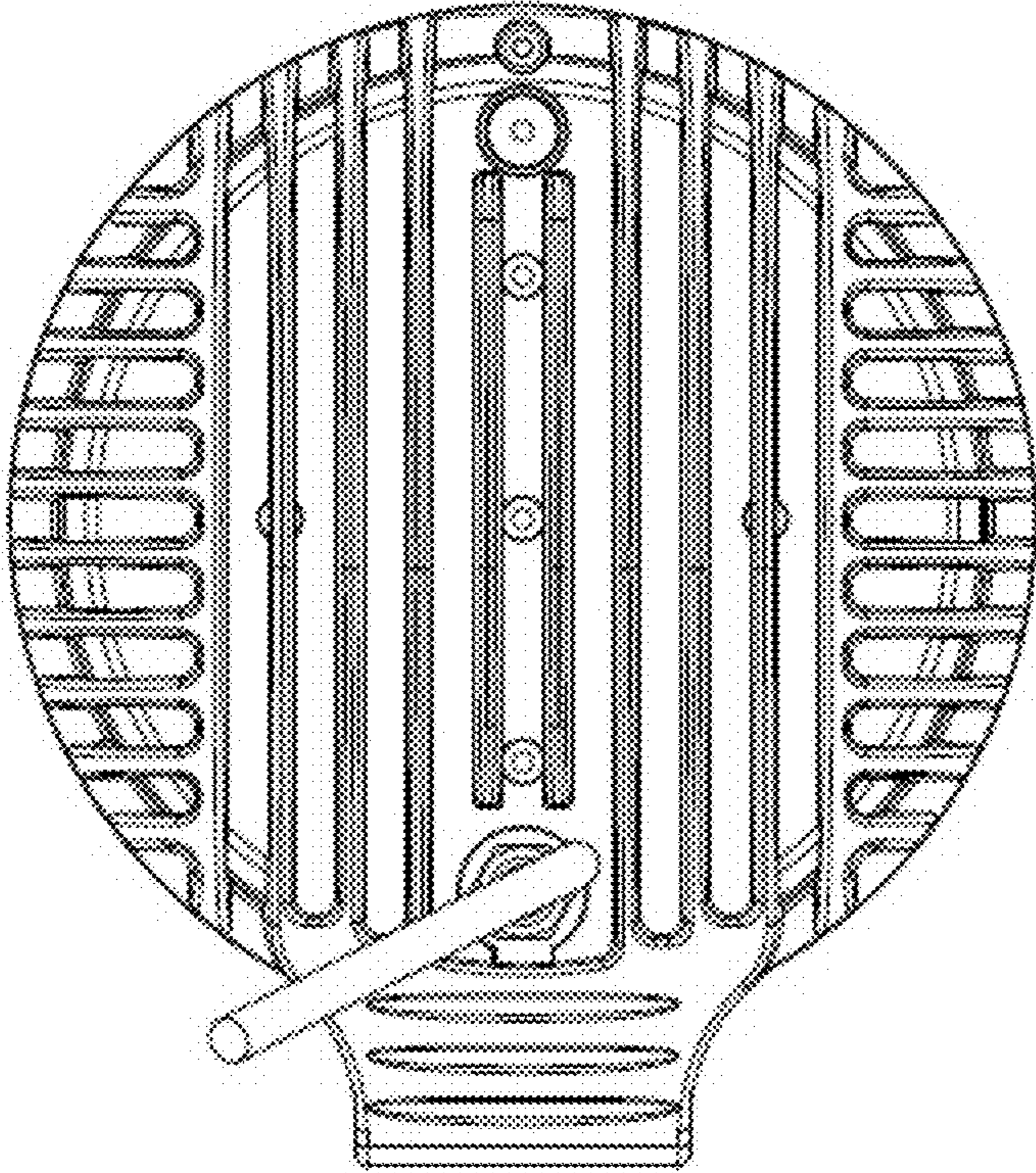


FIG. 2

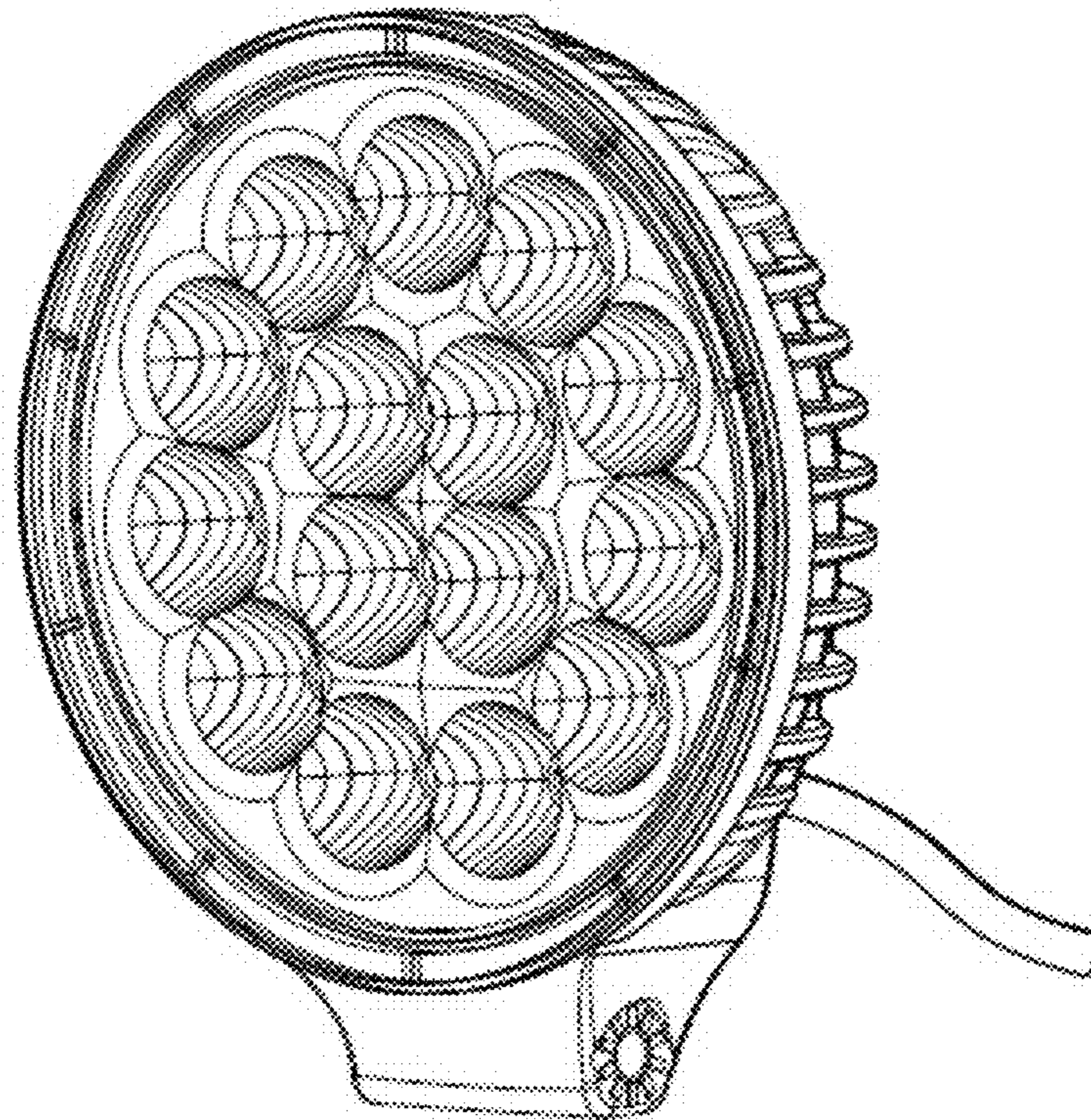


FIG. 3

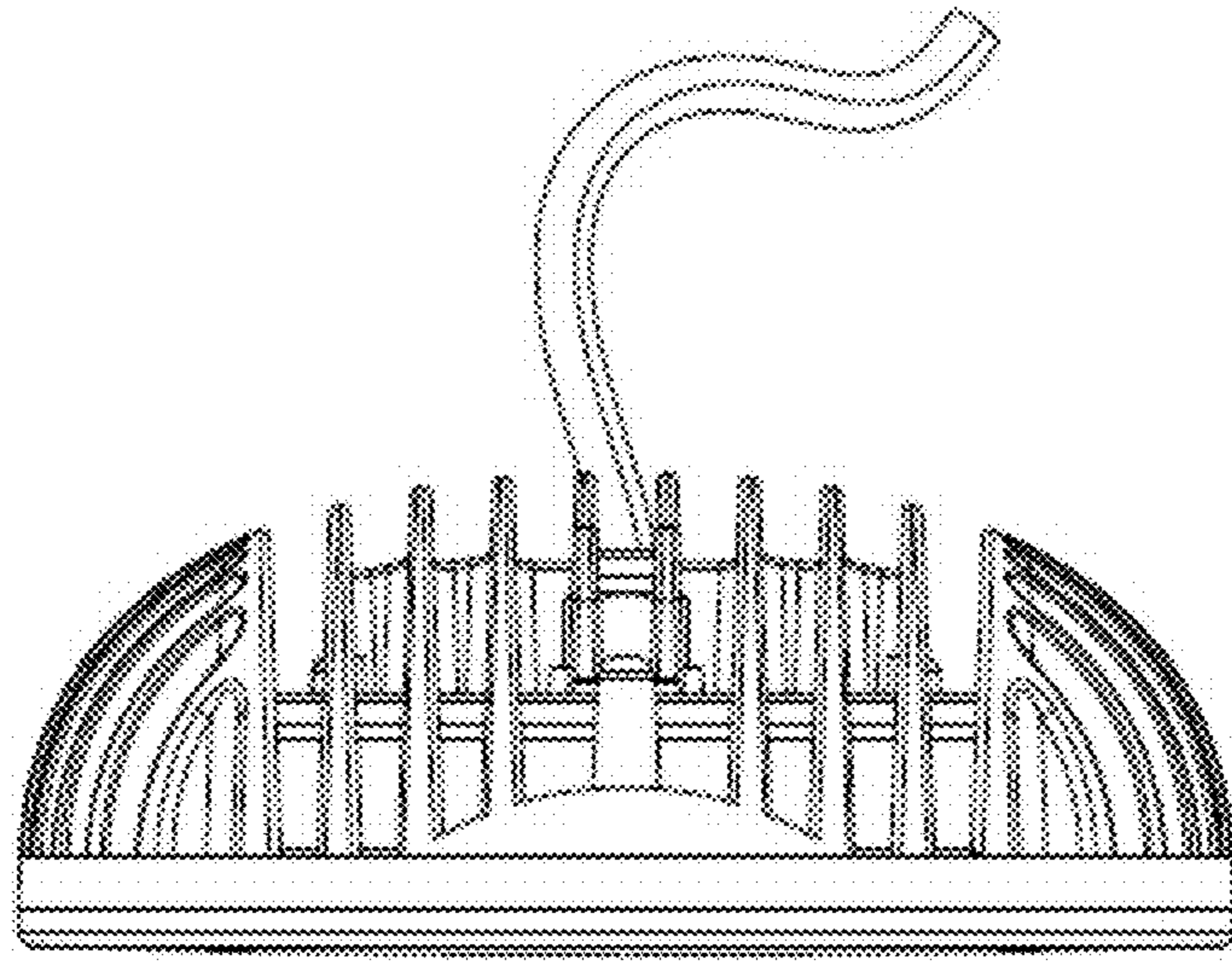


FIG. 4

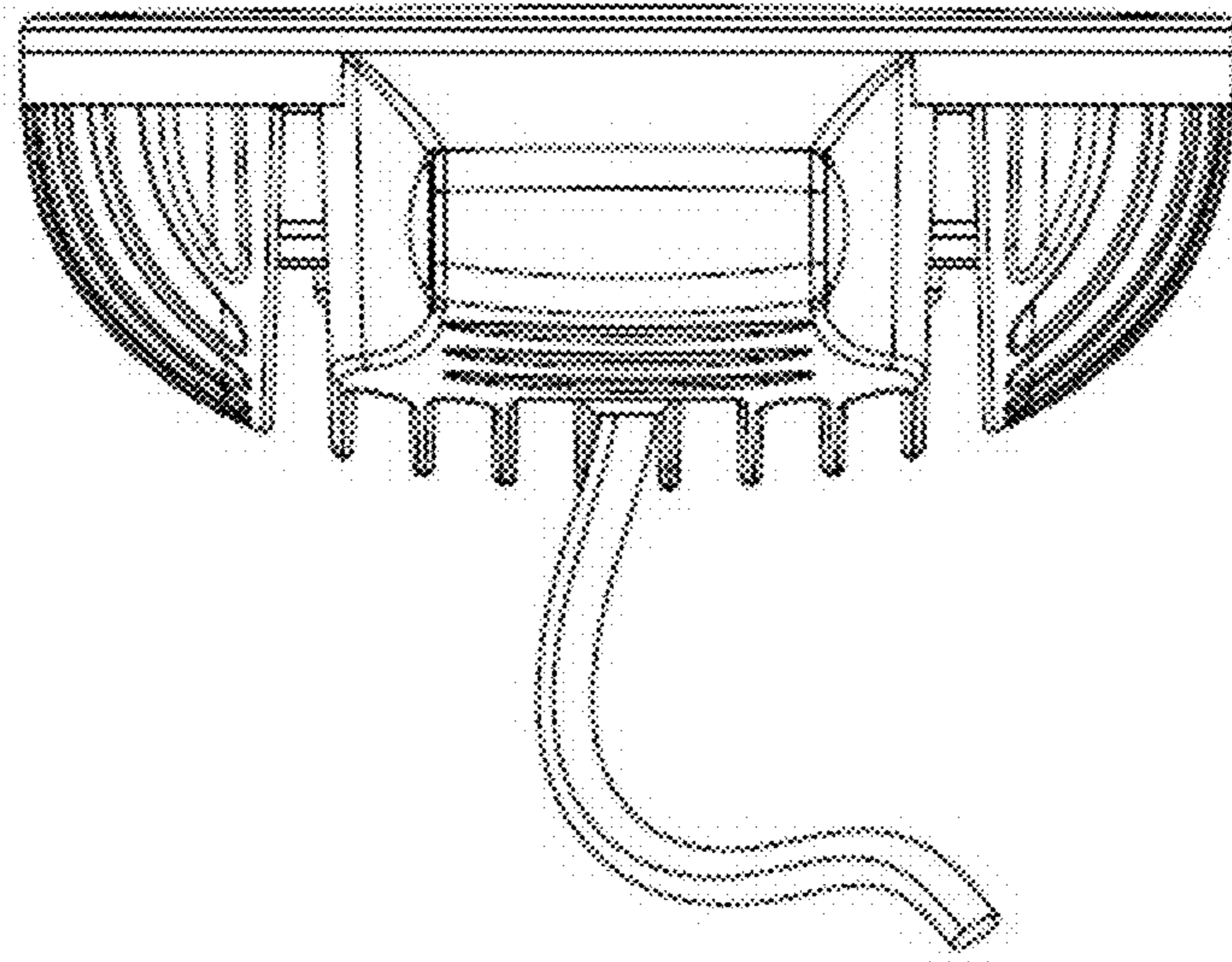


FIG. 5

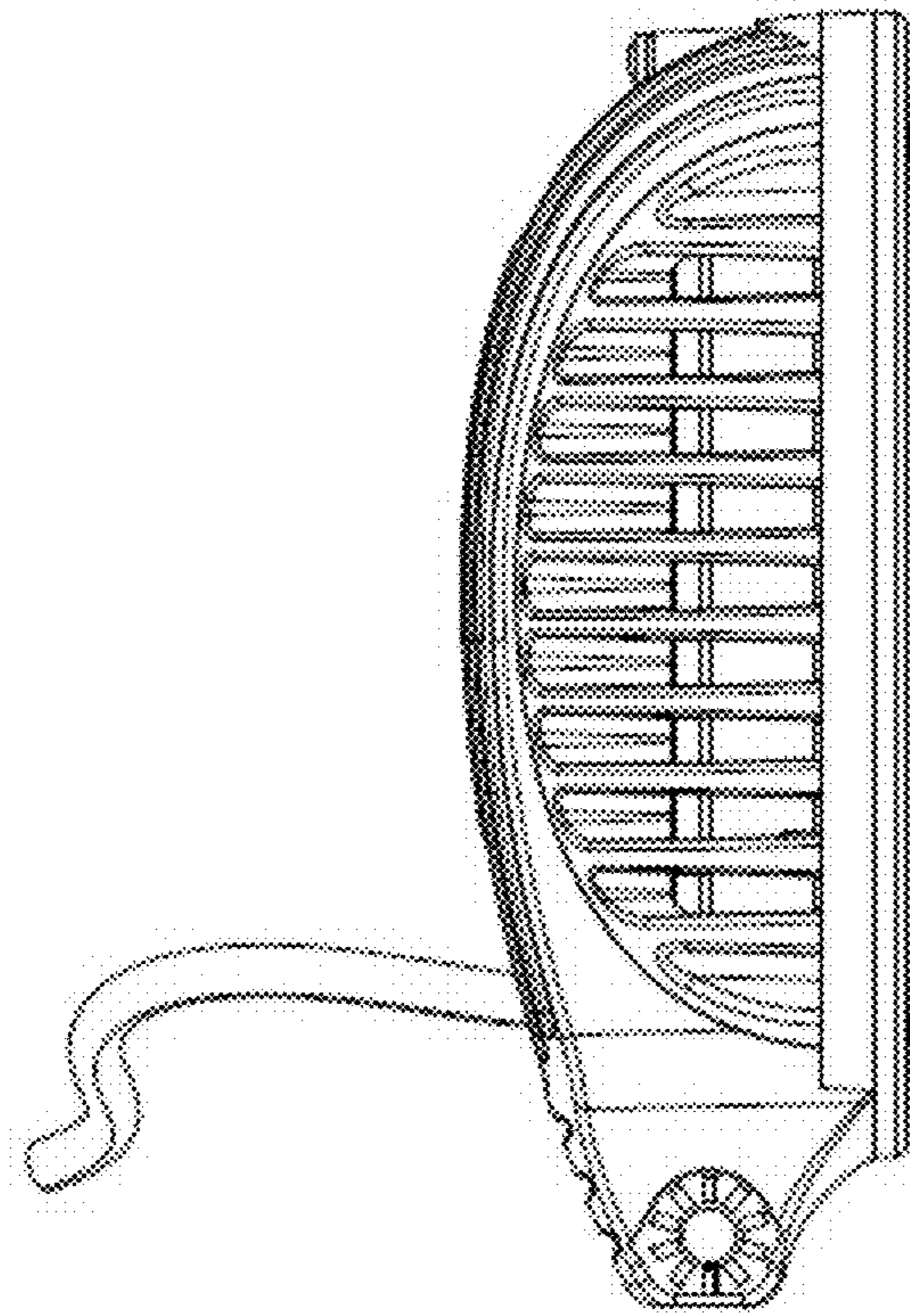


FIG. 6

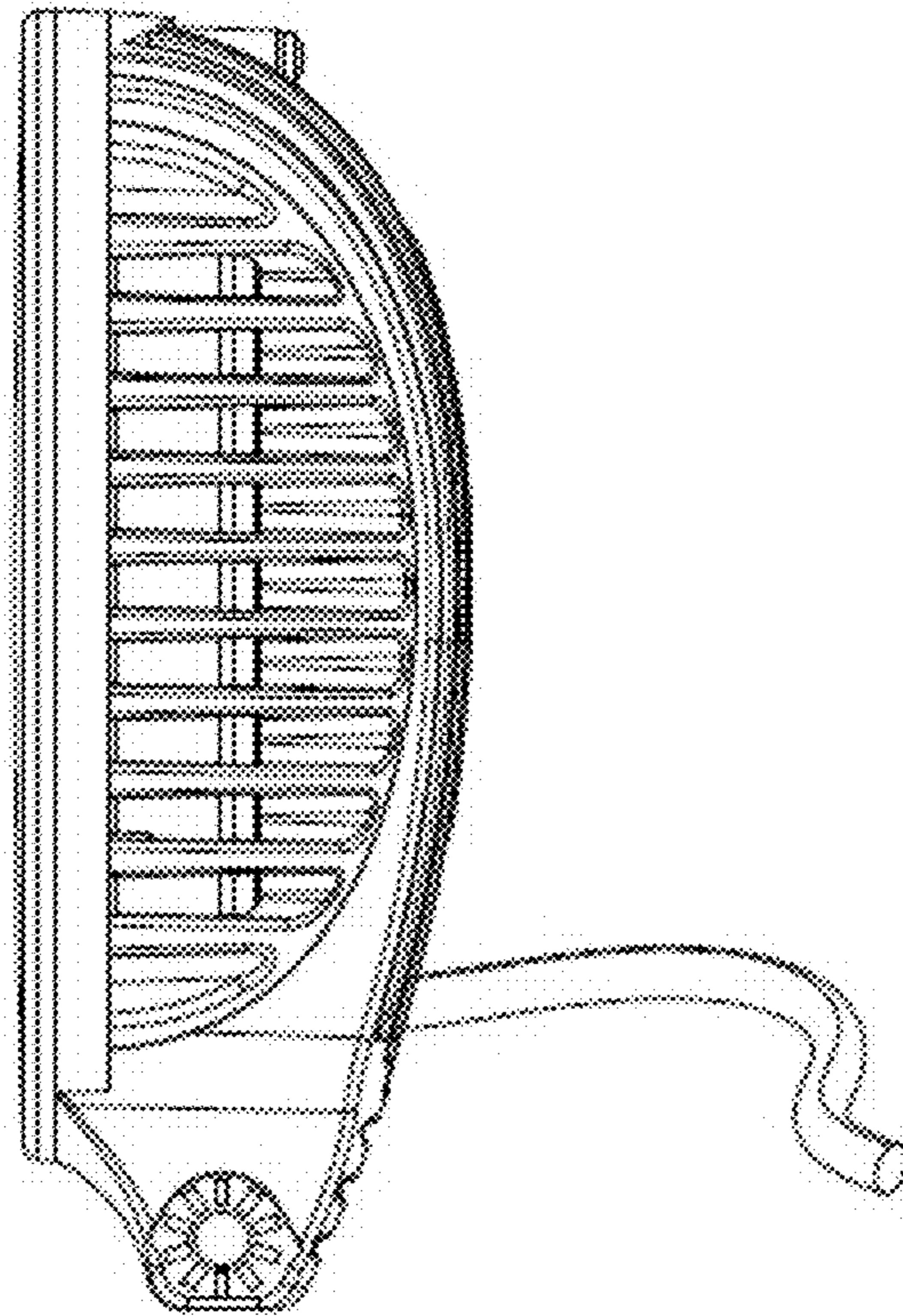


FIG. 7