



US00D748829S

(12) **United States Design Patent**  
**Tateishi et al.**

(10) **Patent No.:** **US D748,829 S**  
(45) **Date of Patent:** **\*\* Feb. 2, 2016**

(54) **REAR COMBINATION LAMP FOR MOTOR SCOOTER**

(71) Applicant: **HONDA MOTOR CO., LTD.**, Tokyo (JP)

(72) Inventors: **Yasushi Tateishi**, Wako (JP); **Genichi Kito**, Wako (JP)

(73) Assignee: **HONDA MOTOR CO., LTD.**, Tokyo (JP)

(\*\*) Term: **14 Years**

(21) Appl. No.: **29/479,192**

(22) Filed: **Jan. 13, 2014**

(30) **Foreign Application Priority Data**

Jul. 18, 2013 (JP) ..... 2013-016374

(51) **LOC (10) Cl.** ..... **26-06**

(52) **U.S. Cl.**  
USPC ..... **D26/28**

(58) **Field of Classification Search**  
USPC ..... D26/28-36, 113, 118, 121, 138-140;  
362/362, 364-366, 368-373, 459-463,  
362/473-478, 485-487, 538, 539,  
362/546-549; D12/107, 110, 187-189  
CPC ..... B62J 6/02; B62J 6/04; B60Q 1/0047;  
B60Q 1/18; B60Q 1/2696; B60Q 1/46;  
F21S 48/1233; F21S 48/10; F21S 48/335;  
F21S 48/00; F21S 48/1258  
See application file for complete search history.

(56) **References Cited**

U.S. PATENT DOCUMENTS

D528,682 S *	9/2006	Shimada et al. ....	D26/28
D552,275 S *	10/2007	Nishimoto et al. ....	D26/28
D637,320 S *	5/2011	Yang .....	D26/28
D693,038 S *	11/2013	Kojima et al. ....	D26/28
D717,978 S *	11/2014	Nishimoto et al. ....	D26/28
D732,214 S *	6/2015	Ishiguri et al. ....	D26/28

\* cited by examiner

*Primary Examiner* — Cynthia Ramirez

*Assistant Examiner* — Llorellys Martinez-Rivera

(74) *Attorney, Agent, or Firm* — Birch, Stewart, Kolasch & Birch, LLP

(57) **CLAIM**

The ornamental design for a rear combination lamp for motor scooter, as shown and described.

**DESCRIPTION**

FIG. 1 is a perspective view from the front side of a rear combination lamp for motor scooter.

FIG. 2 is a perspective view from the front side thereof.

FIG. 3 is a front elevation view thereof.

FIG. 4 is a top plan view thereof.

FIG. 5 is a left side elevation view thereof; and,

FIG. 6 is a right side elevation view thereof.

The portions of the rear combination lamp for motor scooter shown in broken lines are for the purpose of showing environmental structure only and form no part of the claimed design.

**1 Claim, 6 Drawing Sheets**

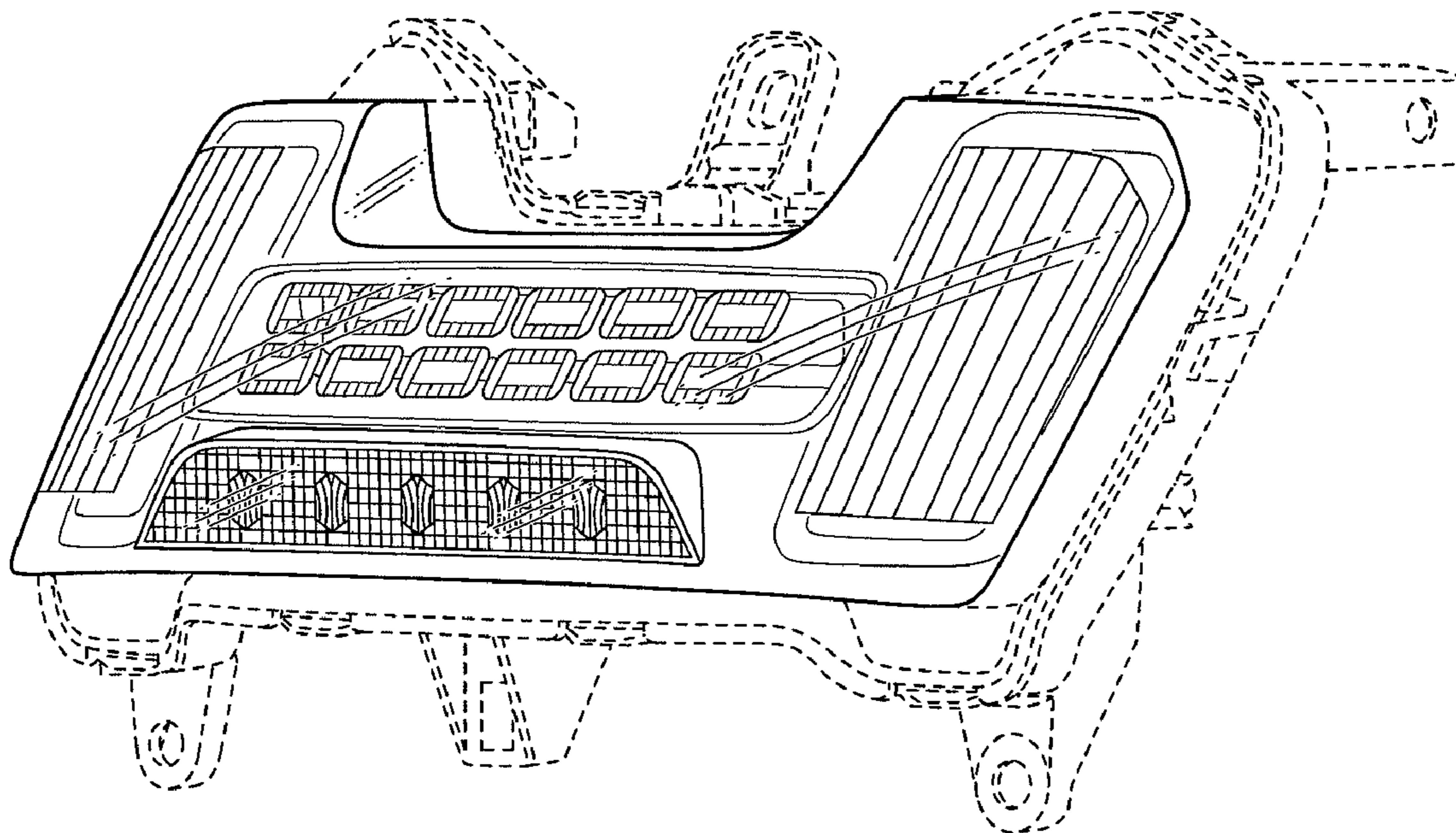


FIG. 1

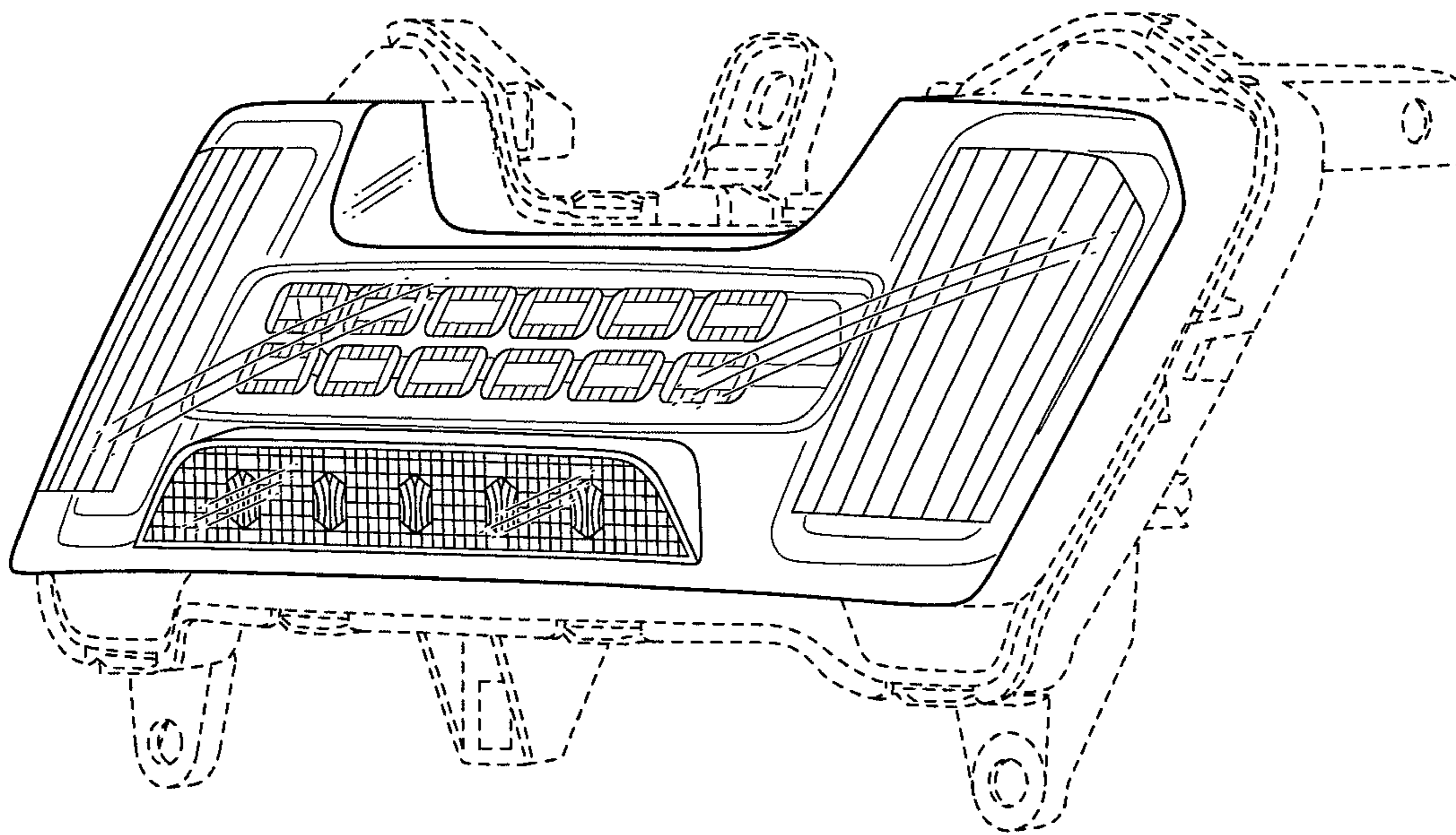


FIG. 2

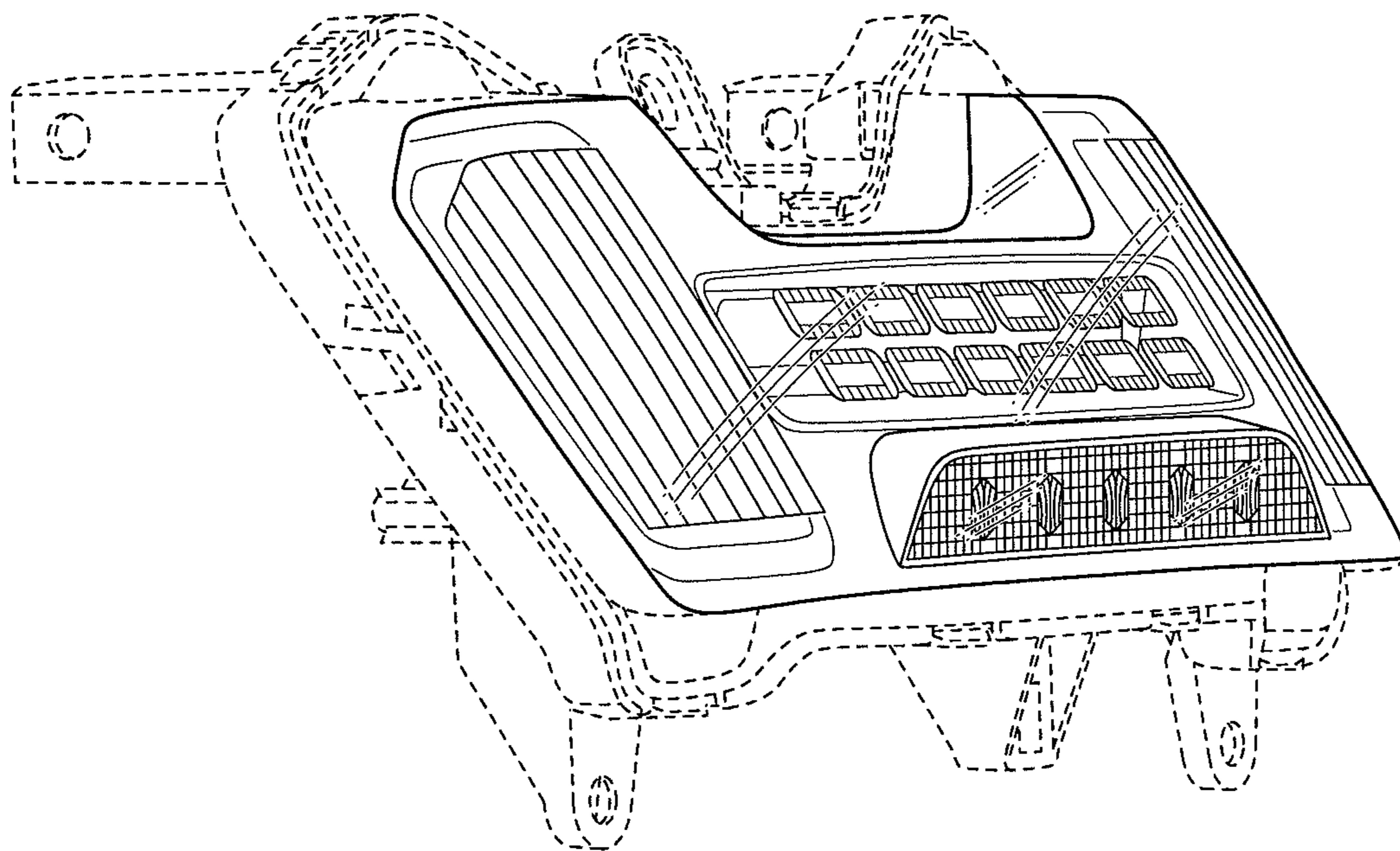




FIG. 3

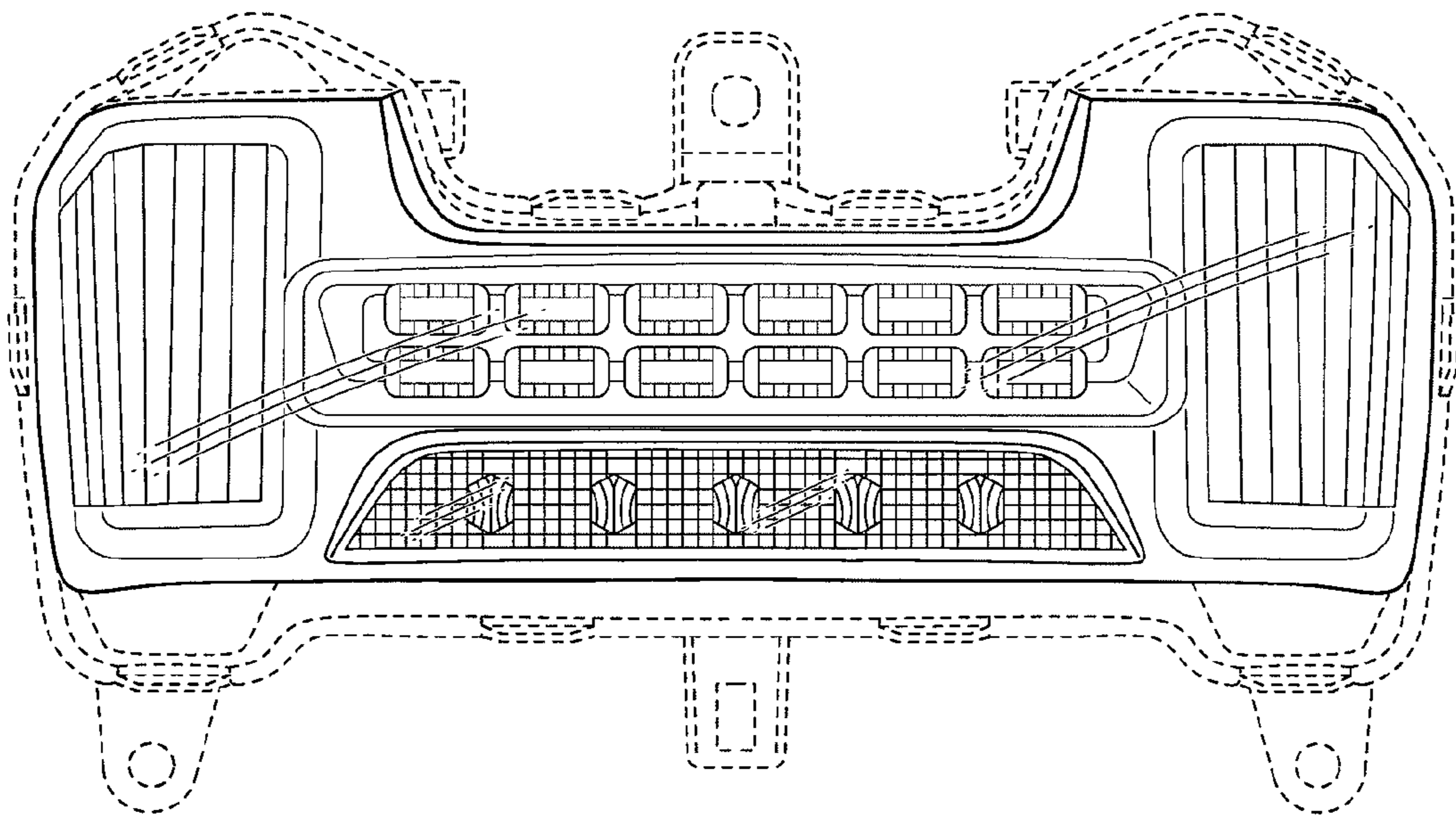


FIG. 4

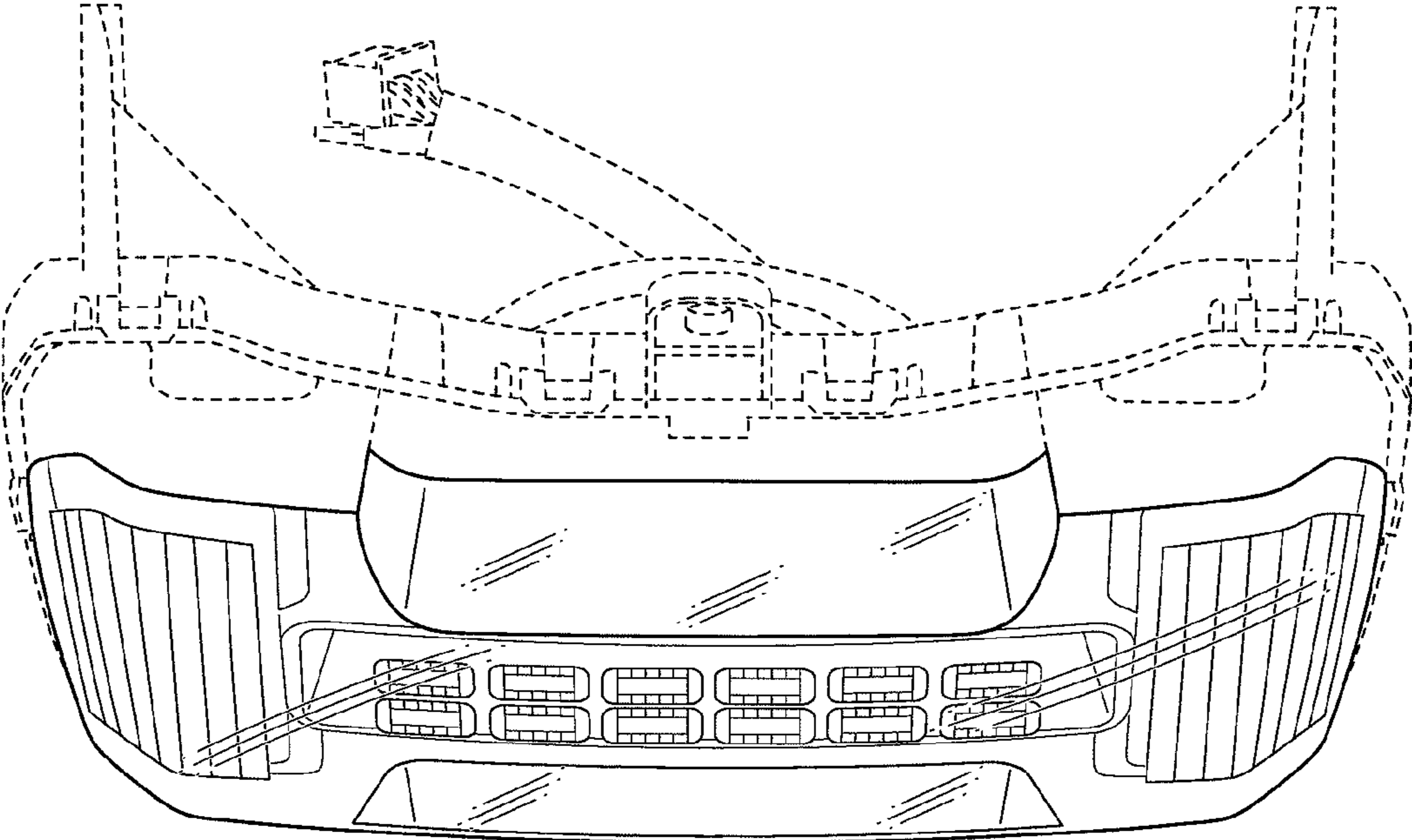


FIG. 5

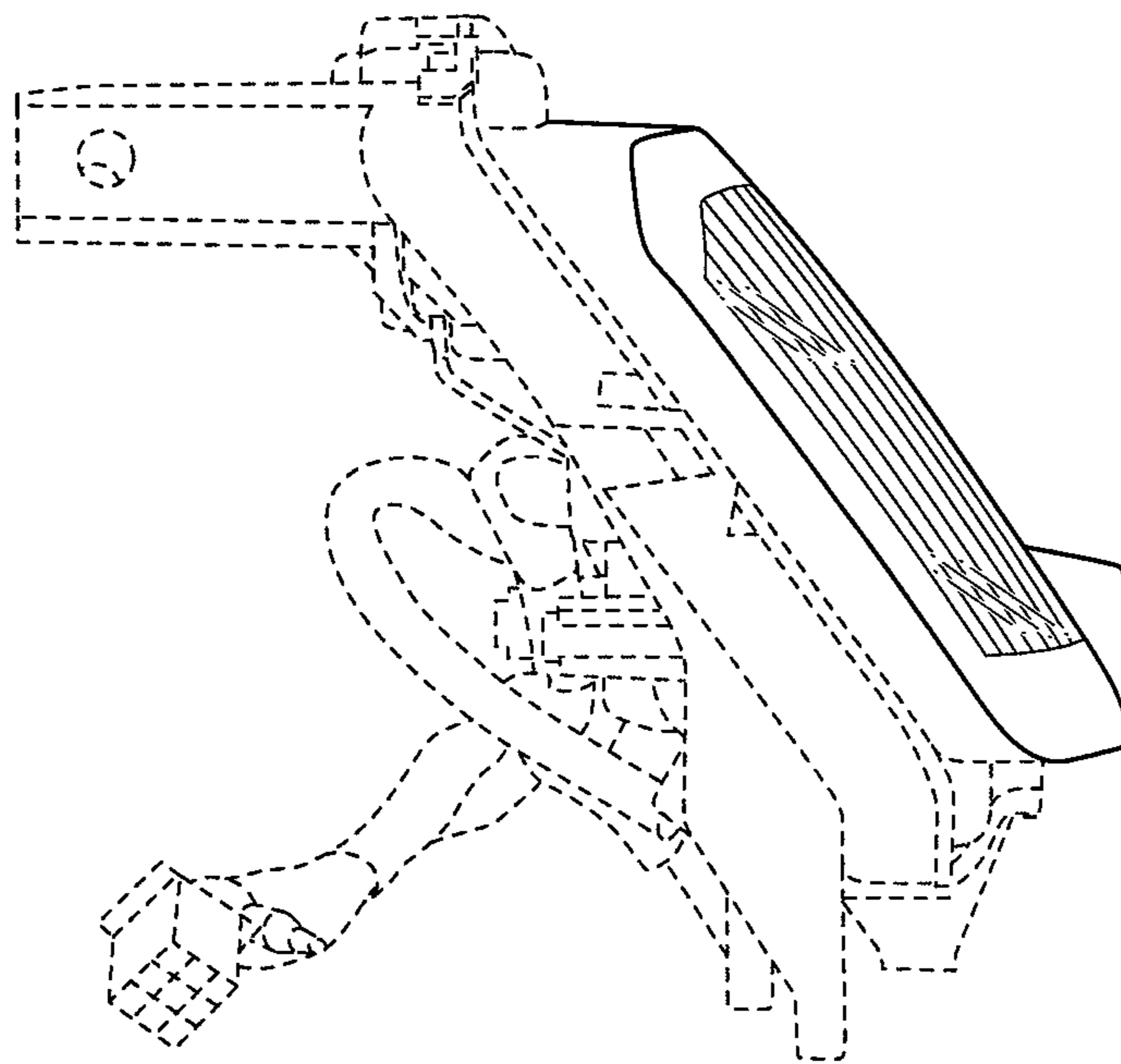


FIG. 6

