



US00D748827S

(12) **United States Design Patent**
Katou et al.

(10) **Patent No.:** **US D748,827 S**
(45) **Date of Patent:** **** Feb. 2, 2016**

(54) **HEADLAMP FOR AN AUTOMOBILE**

D683,057 S 5/2013 Aikawa et al.
D684,714 S * 6/2013 Fuchigami et al. D26/28
D695,936 S 12/2013 Ishizuka et al.

(71) Applicant: **Nissan Motor Co., Ltd.**, Yokohama,
Kanagawa (JP)

(Continued)

(72) Inventors: **Tadashi Katou**, Kanagawa (JP);
Yongjun Heo, Kanagawa (JP); **Kenneth Lee**, London (GB)

FOREIGN PATENT DOCUMENTS

JP D1289648 S 12/2006
JP D1294138 S 2/2007

(73) Assignee: **Nissan Motor Co., Ltd.**, Yokohama (JP)

(Continued)

(**) Term: **14 Years**

Primary Examiner — Wan Laymon

(21) Appl. No.: **29/456,179**

(74) *Attorney, Agent, or Firm* — Global IP Counselors, LLP

(22) Filed: **May 29, 2013**

(57) **CLAIM**

The ornamental design for a headlamp for an automobile, as shown and described.

(30) **Foreign Application Priority Data**

DESCRIPTION

Nov. 29, 2012 (JP) 2012-029244

(51) **LOC (10) Cl.** **26-06**

(52) **U.S. Cl.**

USPC **D26/28**

(58) **Field of Classification Search**

USPC D26/28-30, 32-36; 362/459-460, 465,
362/467-468, 475-478, 485-487

CPC B62J 6/02; B62J 6/001; B62J 6/04;
B60Q 1/2607; B60Q 1/2661; B60Q 1/0047;
B60Q 1/04; B60Q 1/0408; B60Q 1/0433;
B60Q 1/0466; B60Q 1/24; B60Q 1/28;
B60Q 1/0041; B60Q 1/18; B60Q 1/0035;
F21S 48/1159

See application file for complete search history.

FIG. 1 is an outside elevational view of a headlamp for an automobile in accordance with a first embodiment of our new design;

FIG. 2 is an inside elevational view of the headlamp in accordance with the first embodiment of our new design of FIG. 1; FIG. 3 is a top plan view of the headlamp in accordance with the first embodiment of our new design of FIGS. 1 and 2;

FIG. 4 is a bottom plan view of the headlamp in accordance with the first embodiment of our new design of FIGS. 1 to 3; FIG. 5 is a front side elevational view of the headlamp in accordance with the first embodiment of our new design of FIGS. 1 to 4;

FIG. 6 is a rear side elevational view of the headlamp in accordance with the first embodiment of our new design of FIGS. 1 to 5; and,

FIG. 7 is a front side perspective view of the headlamp in accordance with the first embodiment of our new design of FIGS. 1 to 6.

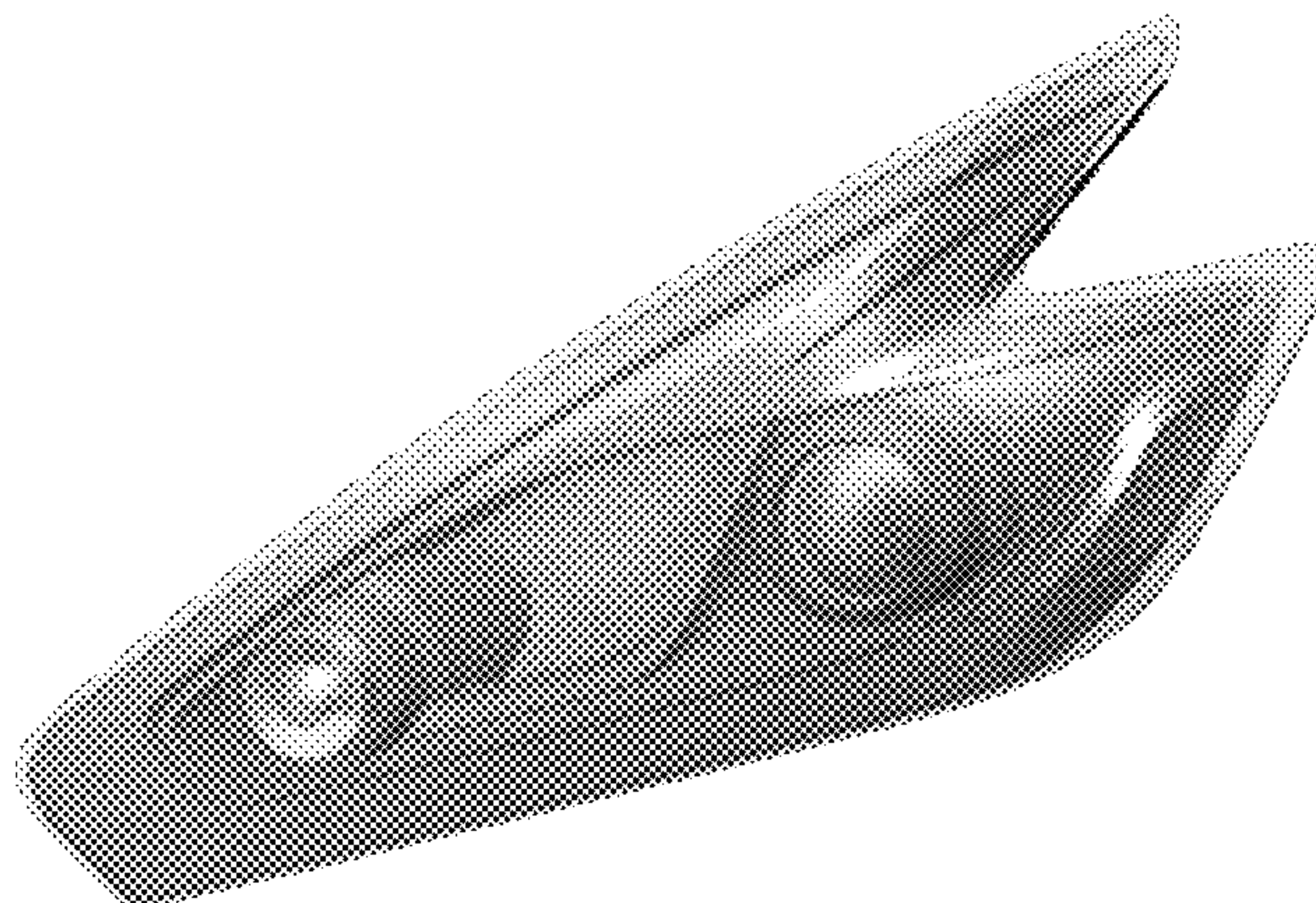
Our new design includes the mirror image of the headlamp shown in FIGS. 1 to 7.

(56) **References Cited**

U.S. PATENT DOCUMENTS

D594,580 S * 6/2009 Ishizuka et al. D26/28
D635,694 S * 4/2011 Yang et al. D26/28
D663,875 S * 7/2012 Kono D26/28
D681,857 S * 5/2013 Munakata D26/28

1 Claim, 7 Drawing Sheets



(56)

References Cited

U.S. PATENT DOCUMENTS

D708,375 S 7/2014 Endo
D709,631 S * 7/2014 Sato D26/28
D717,984 S * 11/2014 Lai D26/28

FOREIGN PATENT DOCUMENTS

JP D1272505 S 5/2008
JP D1328926 S 5/2008
JP D1328983 S 5/2008
JP D1348560 S 1/2009
JP D1358415 S 5/2009
JP D1360183 S 5/2009
JP D1378733 S 2/2010

JP D1379063 S 2/2010
JP D1389690 S 6/2010
JP D1419135 S 7/2011
JP D1415836 S 6/2012
JP D1417805 S 6/2012
JP D1450875 S 9/2012
JP D1455119 S 11/2012
JP D1445110 S 2/2013
JP D1461043 S 2/2013
JP D1474630 S 7/2013
JP D1417807 S 6/2014
JP D1503981 S 8/2014
JP D1479979 S 9/2014
JP D1513126 S 12/2014
JP D1518620 S 3/2015
JP D1501252 S 6/2015

* cited by examiner

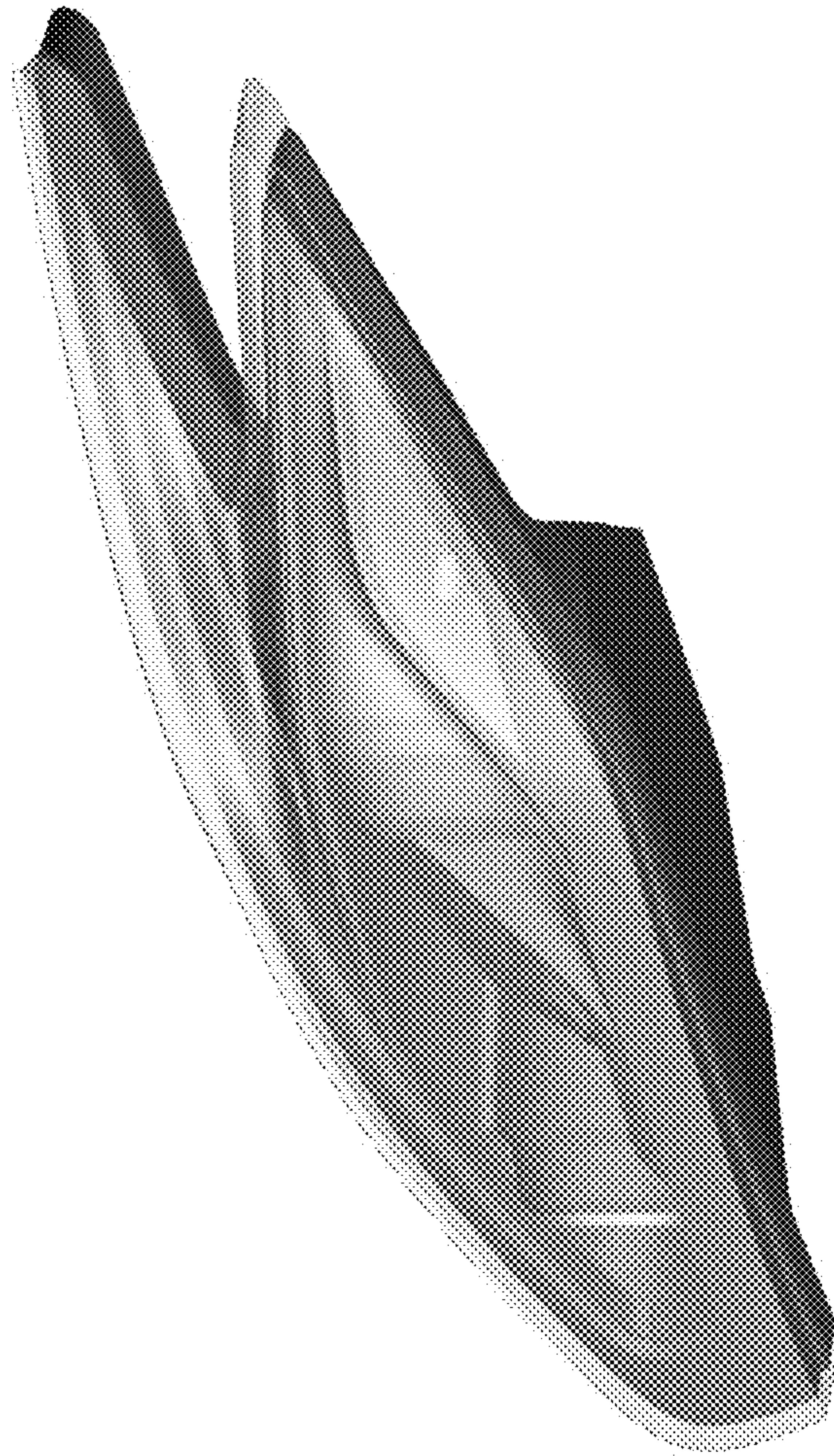


FIG. 1

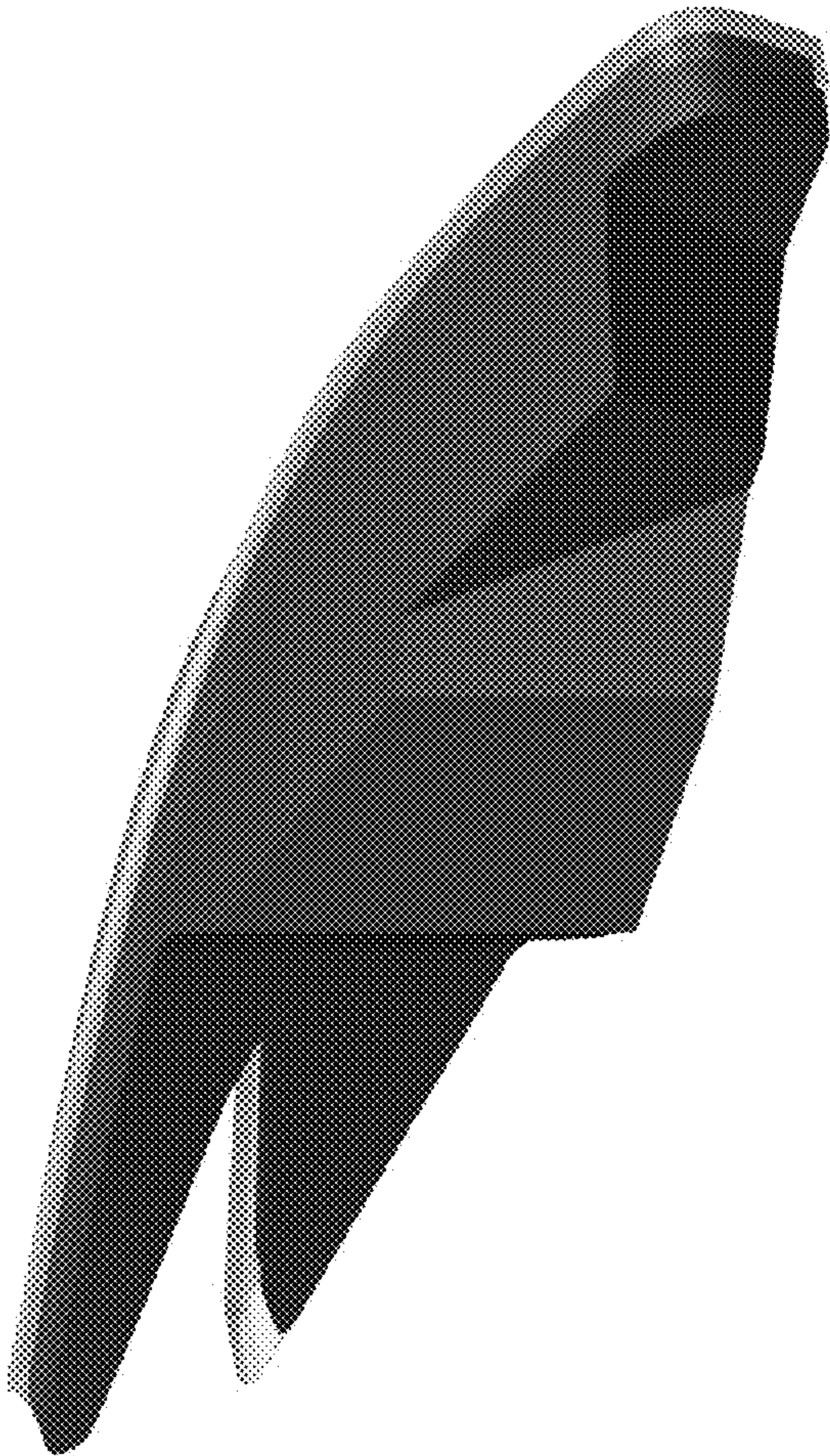


FIG. 2

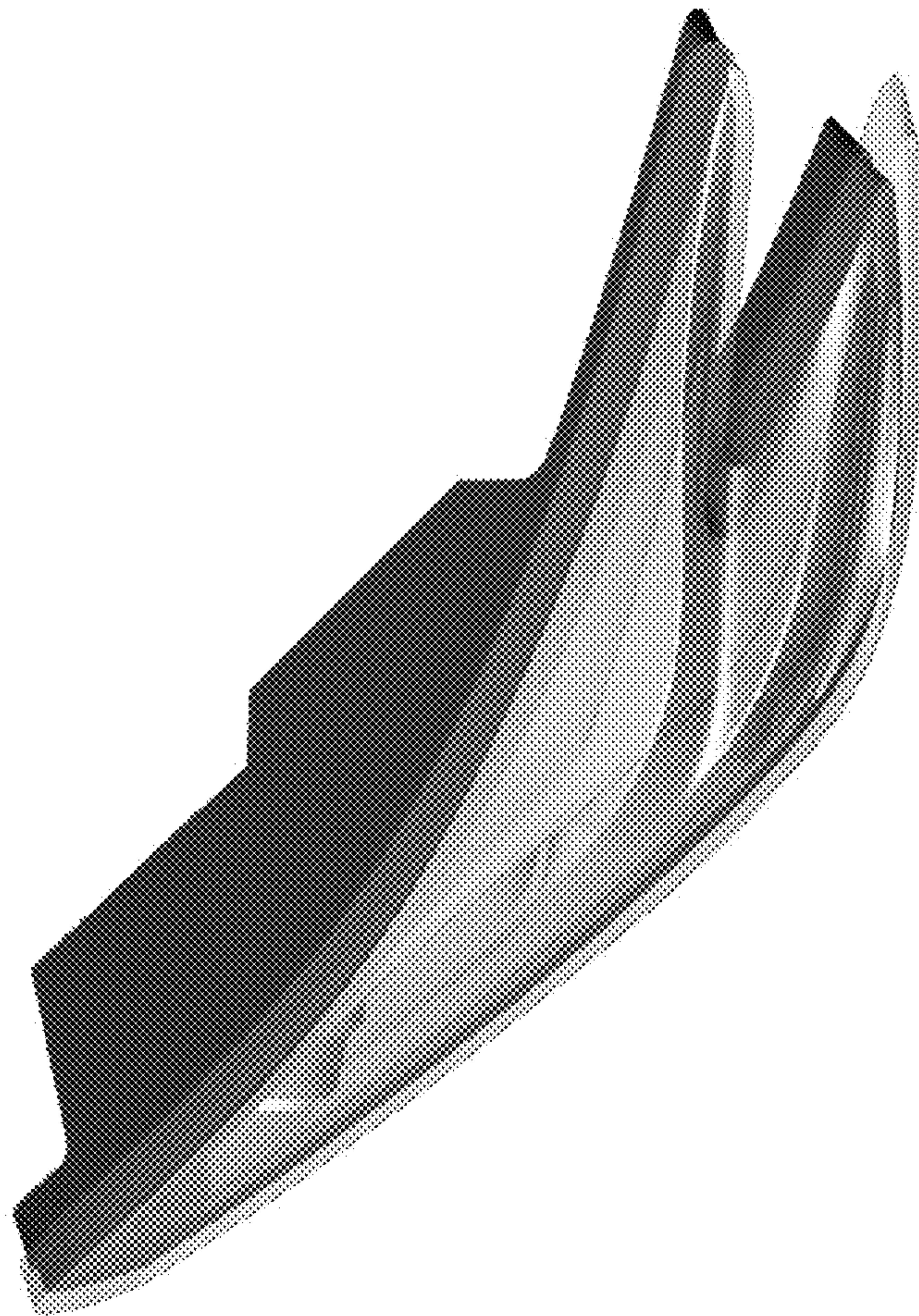


FIG. 3

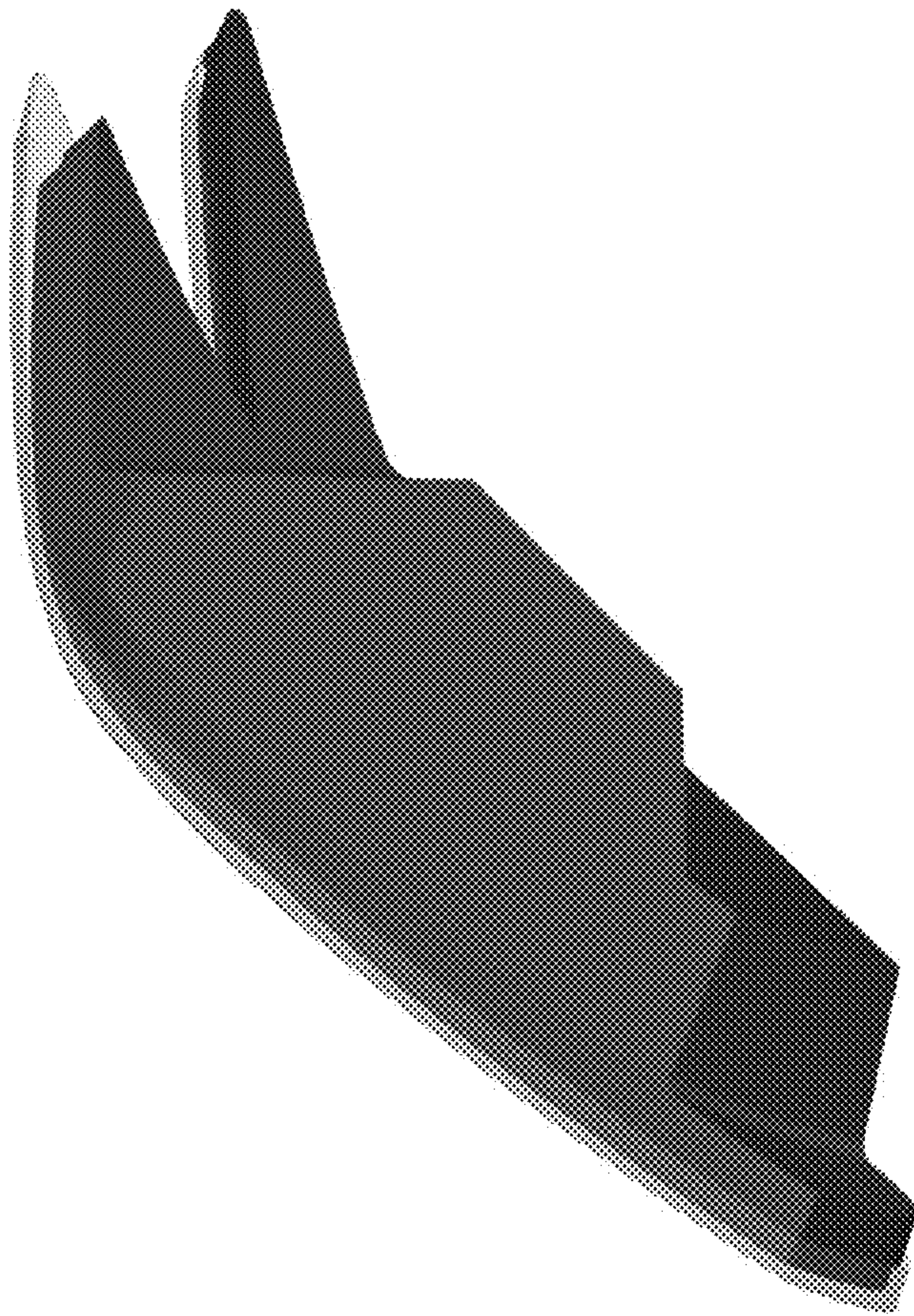


FIG. 4

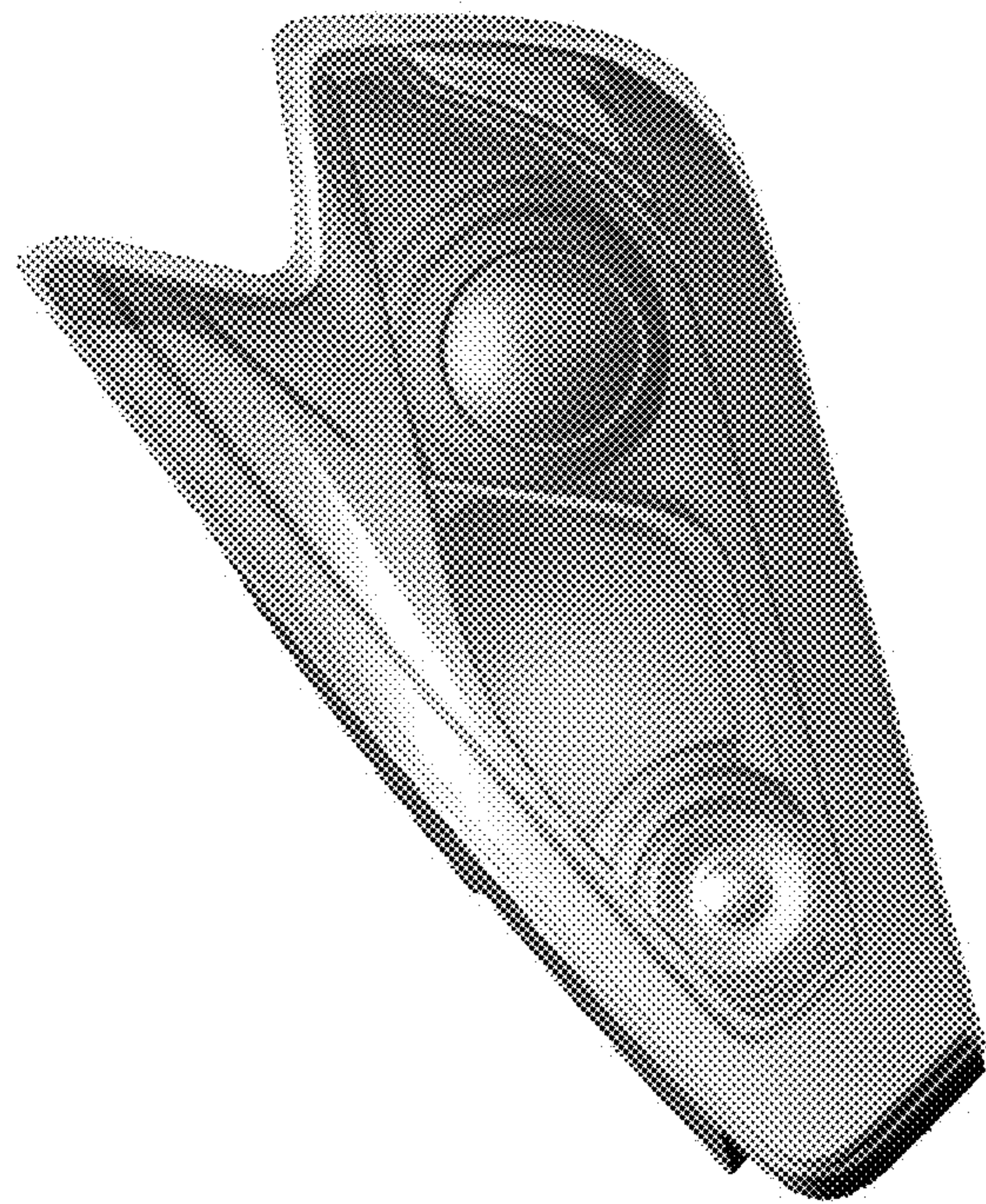


FIG. 5

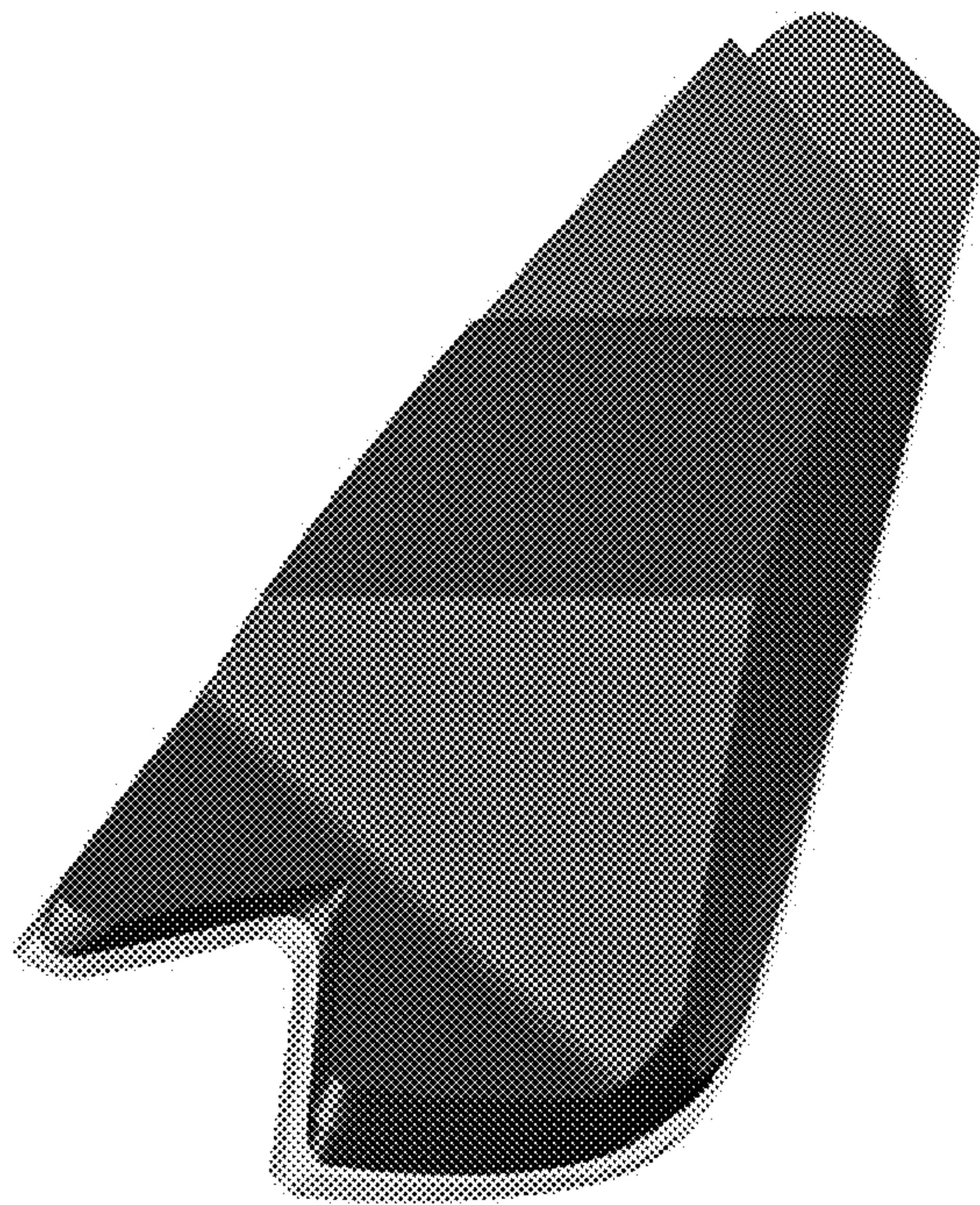


FIG. 6

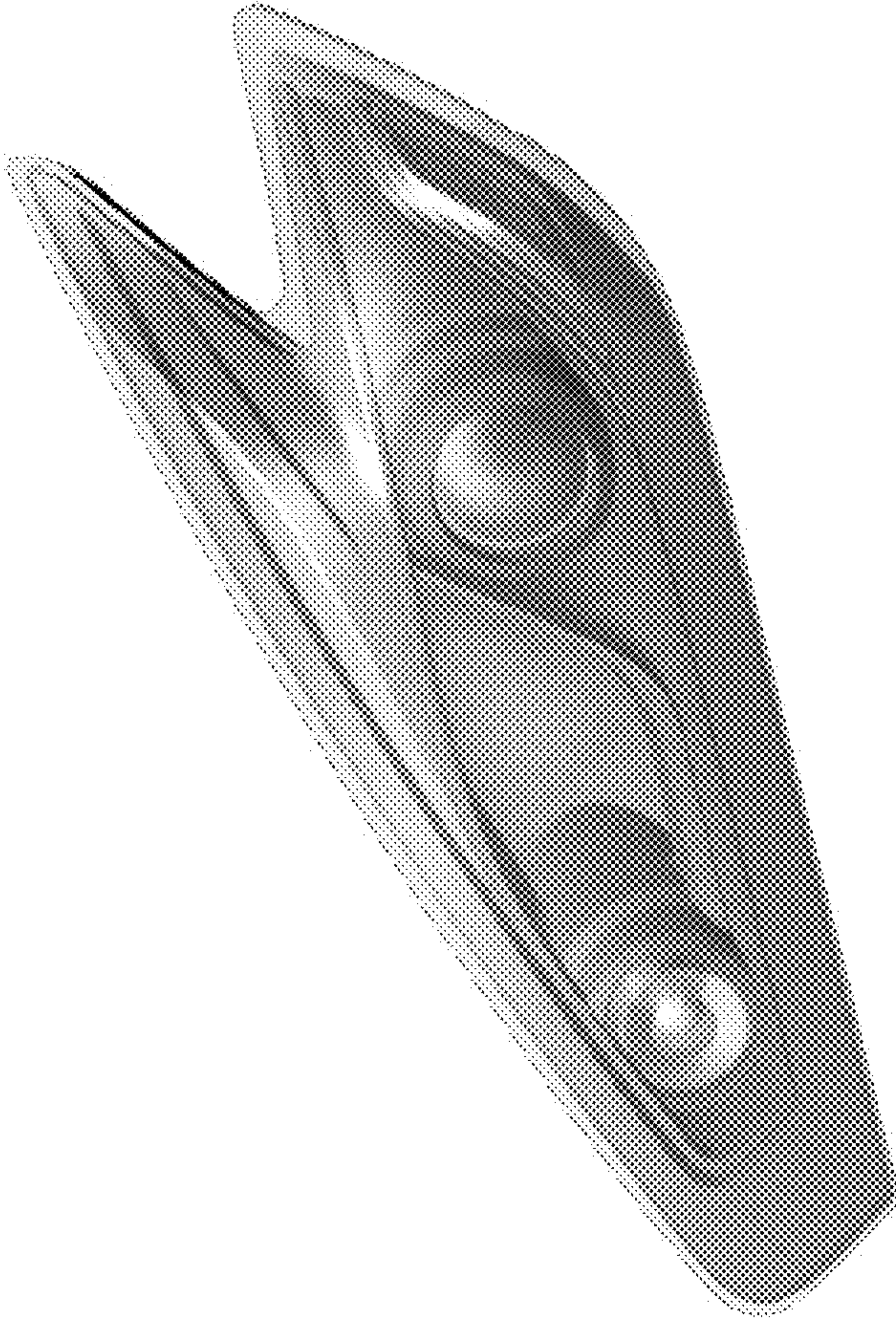


FIG. 7