



US00D748826S

(12) **United States Design Patent**  
**Norwood et al.**

(10) **Patent No.:** **US D748,826 S**  
(45) **Date of Patent:** **\*\* Feb. 2, 2016**

(54) **WINDOW FLASHING PRODUCT**

- (71) Applicant: **Norwood Architecture, Inc.**, Louisville, CO (US)
- (72) Inventors: **Steven A. Norwood**, Louisville, CO (US); **Adam Osterhoff**, Boulder, CO (US)
- (73) Assignee: **Norwood Architecture, Inc.**, Louisville, CO (US)
- (\*\*) Term: **14 Years**
- (21) Appl. No.: **29/501,163**
- (22) Filed: **Sep. 2, 2014**

**Related U.S. Application Data**

- (62) Division of application No. 29/429,452, filed on Aug. 10, 2012, now Pat. No. Des. 714,969.
- (51) **LOC (10) Cl.** ..... **25-01**
- (52) **U.S. Cl.**  
USPC ..... **D25/199**; D25/48.2
- (58) **Field of Classification Search**  
USPC ..... D25/48.2, 199  
CPC ..... E06B 1/34; E06B 1/68; E06B 1/66;  
E06B 200/628; E06B 7/14; E06B 1/70  
See application file for complete search history.

(56) **References Cited**

**U.S. PATENT DOCUMENTS**

RE24,027 E 6/1955 Bourne et al.  
2,822,763 A 2/1958 Berg

(Continued)

**FOREIGN PATENT DOCUMENTS**

CA 2292301 1/2001  
WO 2004055293 A1 7/2004

**OTHER PUBLICATIONS**

U.S. Appl. No. 13/572,274, Notice of Allowance issued Oct. 29, 2014, 5 pages.

(Continued)

*Primary Examiner* — Doris Clark

(74) *Attorney, Agent, or Firm* — Lathrop & Gage LLP

(57) **CLAIM**

The ornamental design for a window flashing product, as shown and described.

**DESCRIPTION**

FIG. 1 is a front perspective view of a first embodiment of the window flashing product, with an upper flap thereof in an open position, and indicating a portion thereof that is illustrated in detail in FIG. 3;

FIG. 2 is a front perspective view of the window flashing product of FIG. 1, with the upper flap in a sealed position;

FIG. 3 is a front perspective detail view of a lower corner of the window flashing product of FIG. 1;

FIG. 4 is a front perspective view of a second embodiment of the window flashing product, with an upper flap thereof in an open position;

FIG. 5 is a front perspective view of the window flashing product of FIG. 4, with the upper flap in a sealed position;

FIG. 6 is a side elevation of the window flashing product of FIG. 4, with the upper flap in the open position, an opposing side view being a mirror image thereof;

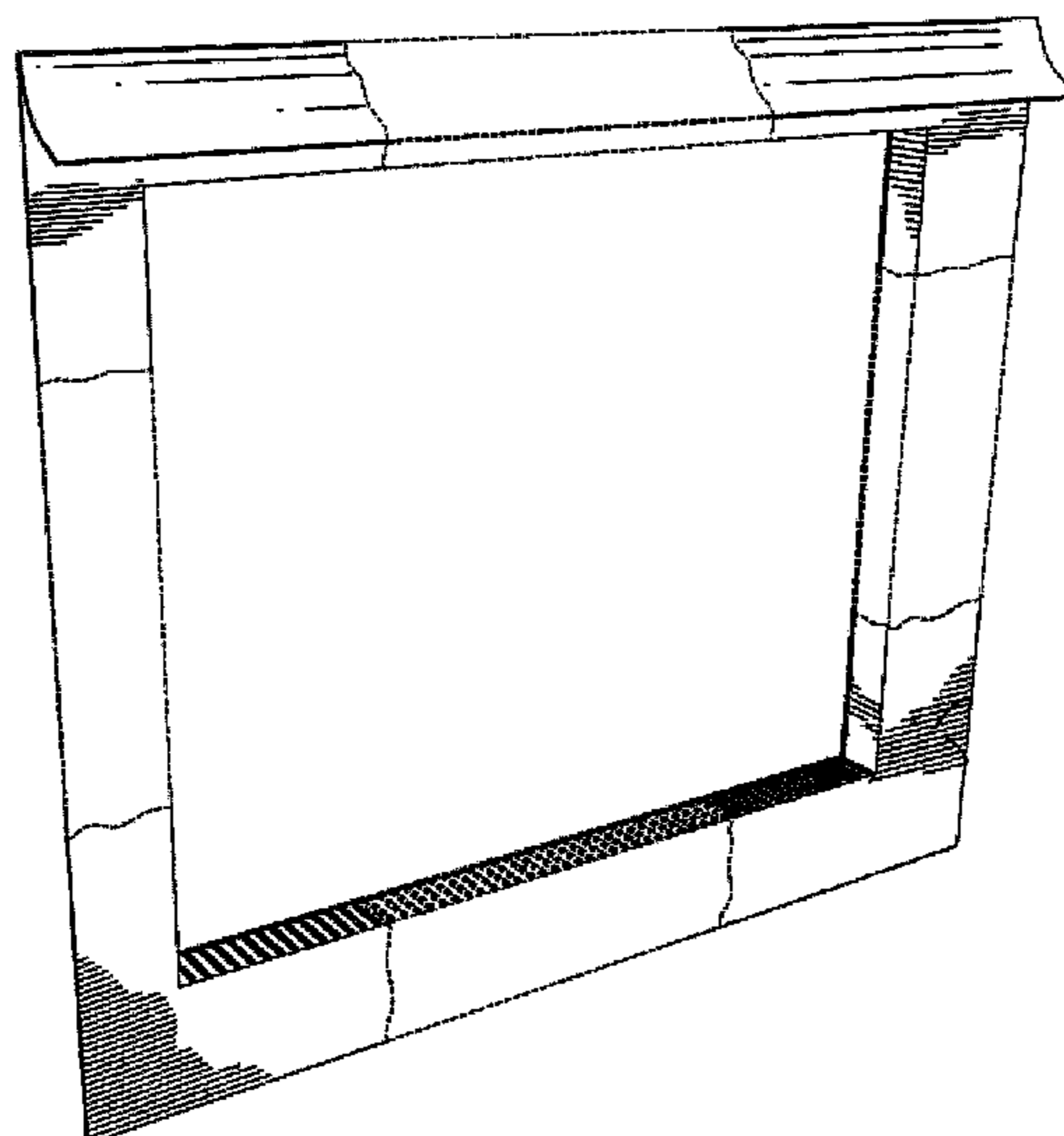
FIG. 7 is a top plan view of the window flashing product of FIG. 4, with the upper flap in the sealed position;

FIG. 8 is a bottom plan view of the window flashing product of FIG. 4, with the upper flap in the sealed position; and,

FIG. 9 is a front perspective detail view of a lower corner of the window flashing product of FIG. 4.

In all of the drawings, broken lines indicate environmental structure that forms no part of the claimed design.

**1 Claim, 7 Drawing Sheets**



(56)

References Cited

U.S. PATENT DOCUMENTS

2,974,448 A 3/1961 Weis  
 3,416,271 A 12/1968 Heeney  
 4,543,753 A 10/1985 Sonneborn et al.  
 4,621,466 A 11/1986 Sonneborn et al.  
 4,694,612 A 9/1987 Pruden et al.  
 4,873,803 A 10/1989 Rundo  
 4,972,638 A 11/1990 Minter  
 5,018,333 A 5/1991 Bruhm  
 5,065,553 A 11/1991 Magid  
 5,586,415 A 12/1996 Fisher et al.  
 D397,810 S 9/1998 Basset  
 5,899,026 A 5/1999 Williams et al.  
 5,946,870 A 9/1999 Bifano et al.  
 6,212,834 B1 4/2001 Lindgren  
 D448,095 S \* 9/2001 Merideth ..... D25/199  
 6,293,064 B1 9/2001 Larson  
 6,305,130 B1 10/2001 Ackerman, Jr.  
 6,385,925 B1 5/2002 Wark  
 6,401,401 B1 6/2002 Williams  
 6,401,402 B1 6/2002 Williams  
 6,457,279 B1 10/2002 Jacobsen et al.  
 6,526,709 B1 3/2003 Jacobsen  
 6,640,508 B2 11/2003 Lindgren et al.  
 6,725,610 B2 4/2004 Murphy et al.  
 7,222,462 B2 5/2007 Ellingson  
 7,331,145 B2 2/2008 Feucht et al.  
 7,591,106 B2 9/2009 Conlin  
 7,673,426 B2 3/2010 Broad et al.  
 7,676,996 B2 3/2010 Teodorovich  
 7,775,004 B2 8/2010 Allen  
 7,797,884 B2 9/2010 Allen  
 7,874,121 B1 1/2011 Hohmann, Jr.  
 7,877,940 B2 2/2011 Meeks et al.  
 7,877,945 B2 2/2011 Eggen et al.  
 7,937,900 B1 5/2011 Gaffney et al.  
 8,006,445 B2 8/2011 Burton et al.  
 8,065,839 B2 11/2011 Conlin  
 8,387,336 B2 3/2013 Coulton et al.  
 D684,280 S \* 6/2013 Moore ..... D25/199  
 8,561,357 B2 10/2013 Teodorovich  
 D697,640 S \* 1/2014 Ksiezopolski ..... D25/124  
 8,683,695 B2 4/2014 Rasmussen et al.  
 8,959,842 B2 2/2015 Norwood et al.  
 2002/0108326 A1 8/2002 Ackerman, Jr.  
 2003/0056444 A1 3/2003 Ackerman, Jr.

2003/0177712 A1 9/2003 Gatherum  
 2004/0163330 A1 8/2004 Crum  
 2005/0144865 A1 7/2005 Elingson  
 2005/0166471 A1 8/2005 Allen  
 2006/0010788 A1 \* 1/2006 Nettleton ..... E06B 1/70  
 52/58  
 2006/0130426 A1 \* 6/2006 O'Rourke ..... E06B 1/62  
 52/745.16  
 2006/0236618 A1 10/2006 Williams  
 2006/0260216 A1 11/2006 Bonshor  
 2008/0178557 A1 7/2008 Parsons et al.  
 2008/0229676 A1 9/2008 Allen  
 2009/0056241 A1 3/2009 Koessler et al.  
 2010/0139178 A1 6/2010 Ehrman  
 2010/0251643 A1 10/2010 Rosende et al.  
 2011/0047888 A1 3/2011 Bonshor  
 2011/0072747 A1 3/2011 Tatley et al.  
 2012/0144761 A1 6/2012 Teodorovich

OTHER PUBLICATIONS

U.S. Appl. No. 14/228,590 Office Action dated Jan. 12, 2015, 26 pages.  
 Mexican Patent Application MXa2013009322 Office Action dated Jul. 3, 2015, 2 pages.  
 Chinese Patent Application 201310347255.0 Office Action dated Apr. 29, 2015, 14 pages.  
 U.S. Appl. No. 14/228,590 Notice of Allowance dated Jul. 20, 2015, 7 pages.  
 U.S. Appl. No. 14/628,714 Non-final Office Action dated Apr. 30, 2015, 10 pages.  
 U.S. Appl. No. 14/479,282 Non-final Office Action dated Jul. 16, 2015, 11 pages.  
 Quickflash Weatherproofing Products, Home Constructions Equipment, Toxic Mold Prevention: Retrieved from the Internet at [http://www.quickflashproducts.com/products\\_eletrical.html](http://www.quickflashproducts.com/products_eletrical.html) on Jun. 20, 2012.  
 U.S. Appl. No. 13/572,274 Response to Office Action filed Jul. 23, 2014, 15 pages.  
 U.S. Appl. No. 13/572,274 Office Action dated Apr. 23, 2014, 16 pages.  
 U.S. Appl. No. 29/429,452 selected pages from Image File Wrapper dated Feb. 4, 2014 through May 27, 2014, 34 pages.  
 U.S. Appl. No. 14/628,714 Final Office Action dated Nov. 17, 2015, 9 pages.

\* cited by examiner

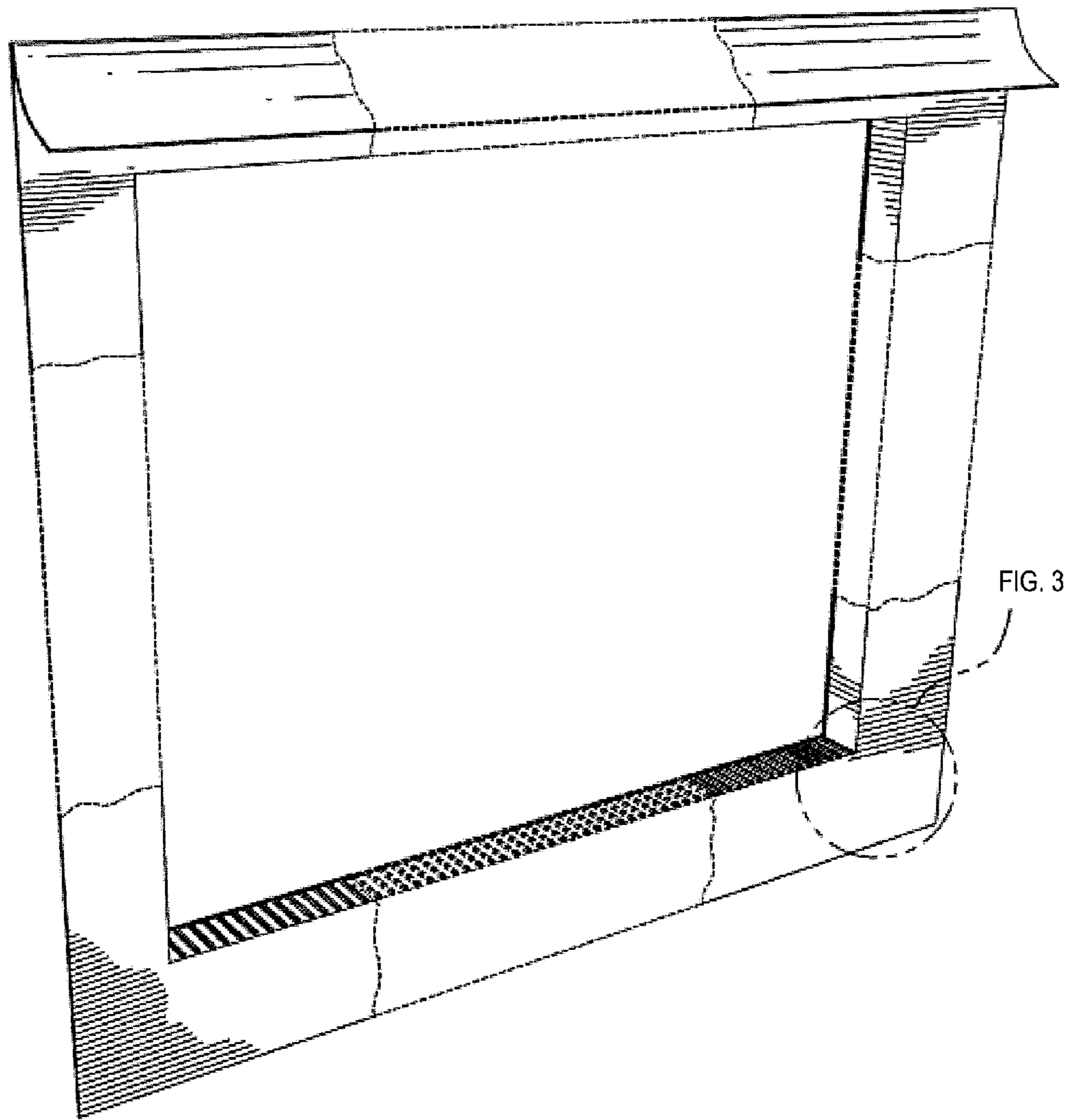


FIG. 1

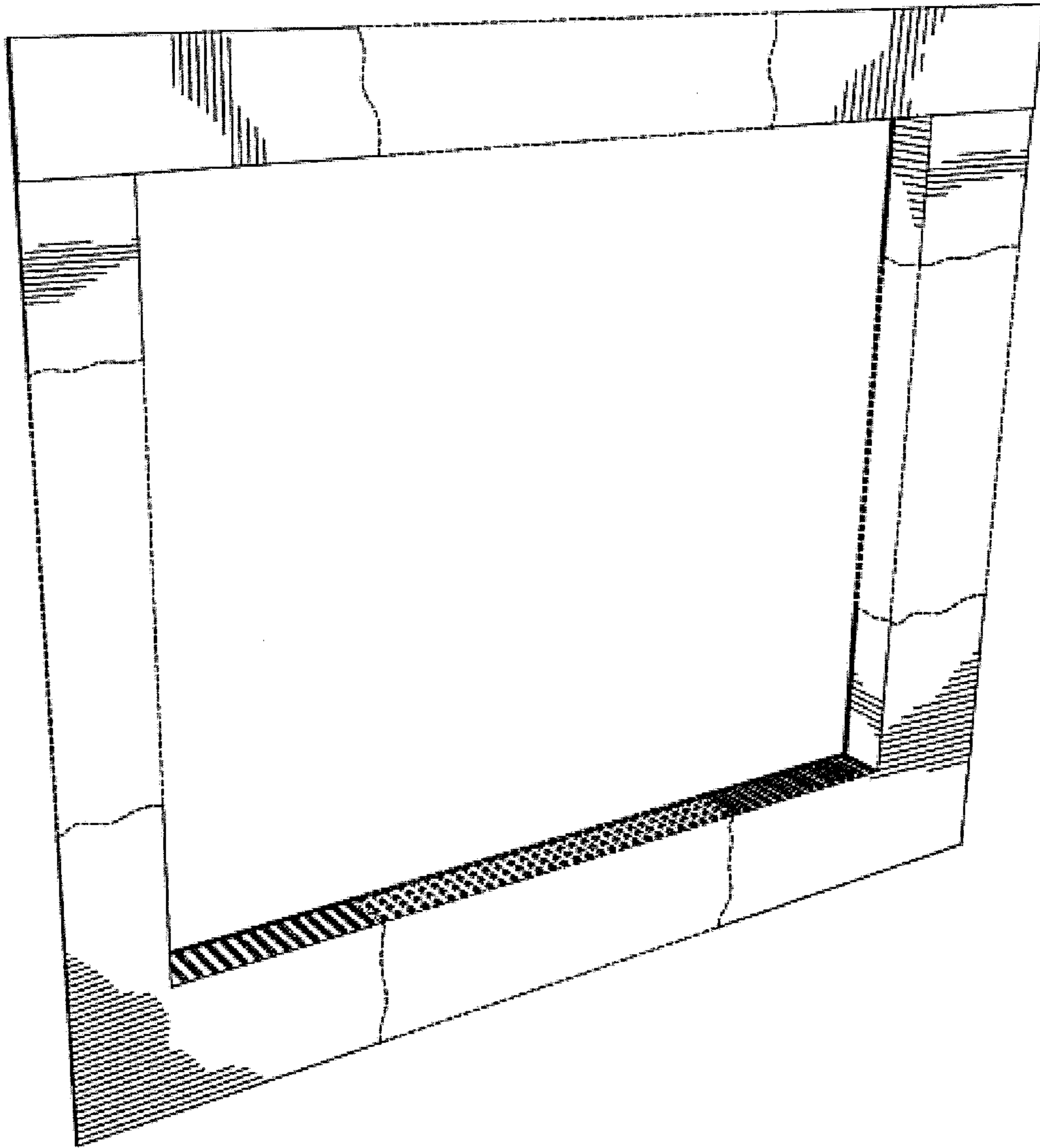


FIG. 2

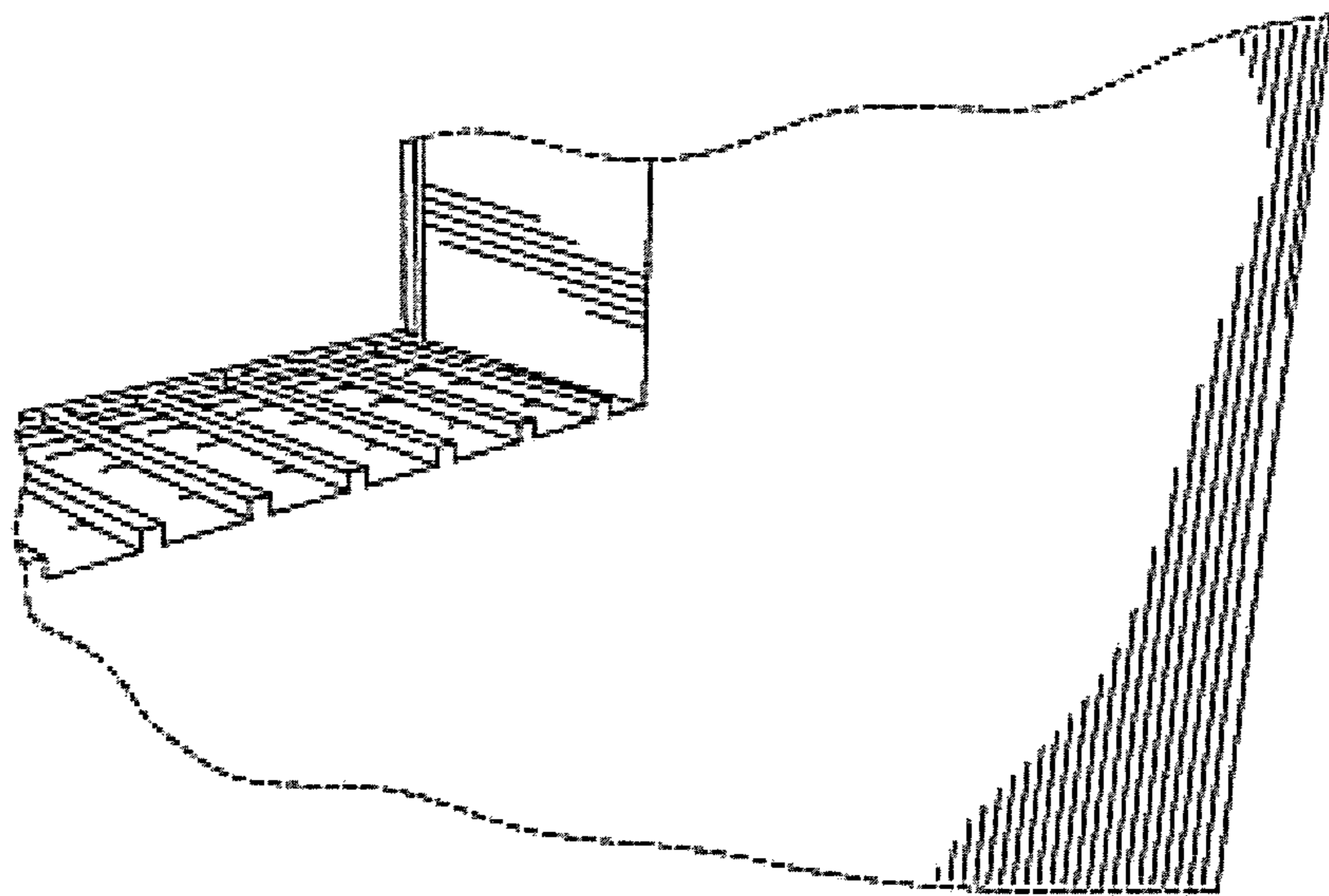


FIG. 3

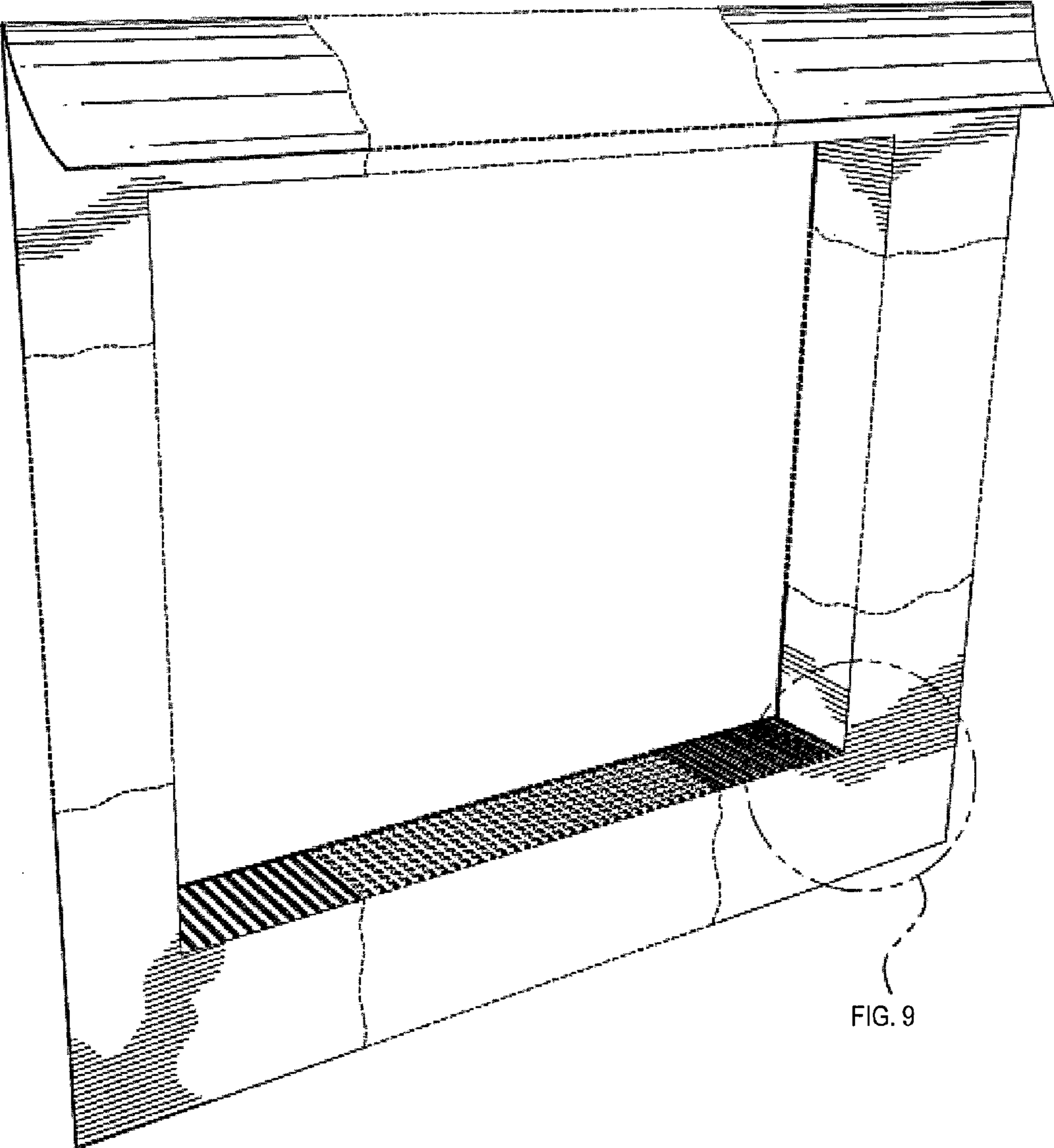


FIG. 4

FIG. 9

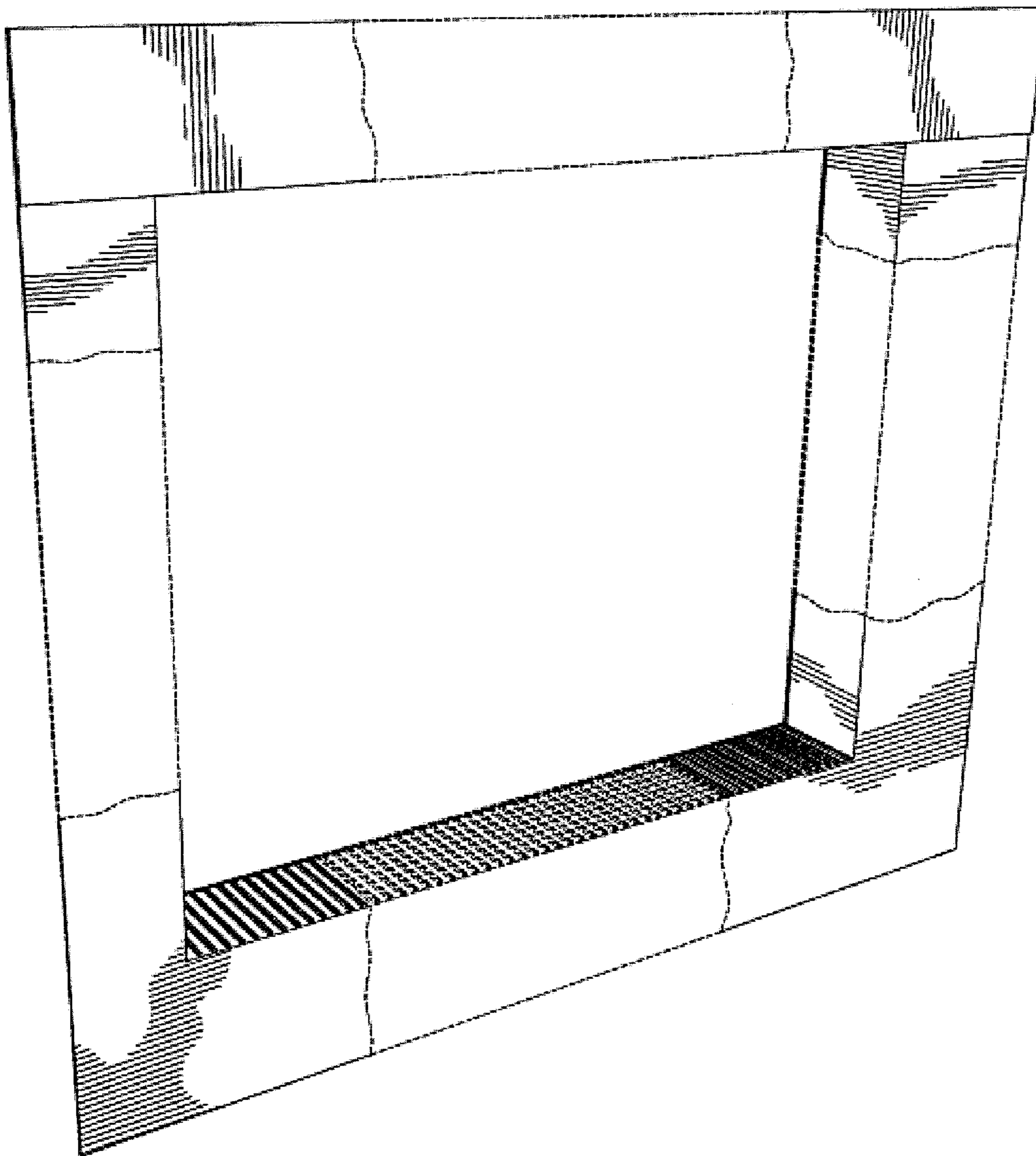


FIG. 5

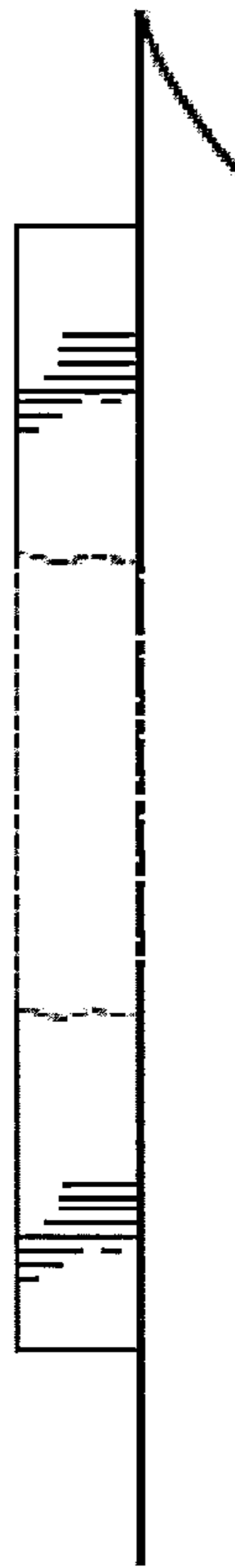


FIG. 6



FIG. 7



FIG. 8



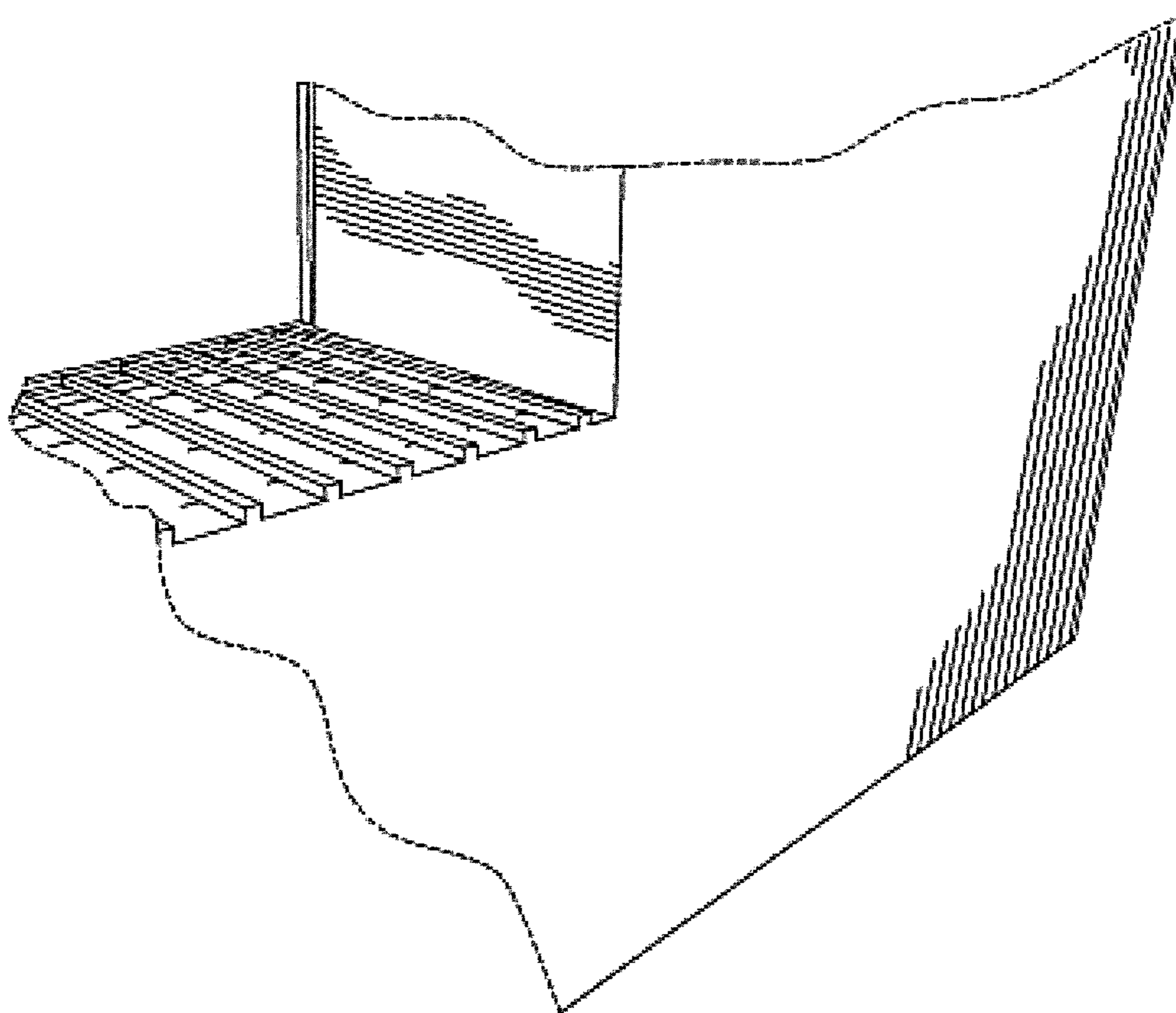


FIG. 9