



US00D748823S

(12) **United States Design Patent**  
**Amrine et al.**

(10) **Patent No.:** **US D748,823 S**  
(45) **Date of Patent:** **\*\* Feb. 2, 2016**

(54) **LAWN EDGING**  
(71) Applicant: **Dimex, LLC**, Marietta, OH (US)  
(72) Inventors: **Pat Amrine**, Marietta, OH (US); **Darren Bolen**, Sardis, OH (US); **Adam Sanders**, Marietta, OH (US); **David T. Wesel**, Marietta, OH (US)

2,809,809 A 10/1957 Johnston  
2,865,136 A \* 12/1958 Howard ..... A01G 1/08  
47/33  
2,877,600 A 3/1959 Slate  
D185,236 S 5/1959 Reese  
3,170,201 A 2/1965 Nofziger  
(Continued)

(73) Assignee: **Dimex, LLC**, Marietta, OH (US)  
(\*\*) Term: **14 Years**

GB 480927 A 3/1938  
GB 2369979 A 6/2002  
(Continued)

(21) Appl. No.: **29/522,033**

OTHER PUBLICATIONS

(22) Filed: **Mar. 27, 2015**

Valley View Industries, 2015 Retail Catalog, Independent Garden Centers/Hardware/Regional Merchants, 11 pgs., Apr. 27, 2015.  
(Continued)

**Related U.S. Application Data**

(62) Division of application No. 29/464,683, filed on Aug. 20, 2013, now Pat. No. Des. 733,936.  
(51) **LOC (10) Cl.** ..... **25-01**  
(52) **U.S. Cl.**  
USPC ..... **D25/119; D25/164**  
(58) **Field of Classification Search**  
USPC ..... D25/119, 164  
CPC ..... A01G 1/08  
See application file for complete search history.

*Primary Examiner* — Doris Clark  
(74) *Attorney, Agent, or Firm* — Wood, Herron & Evans, LLP

(56) **References Cited**

**CLAIM**

(57) The ornamental design for a lawn edging, as shown and described.

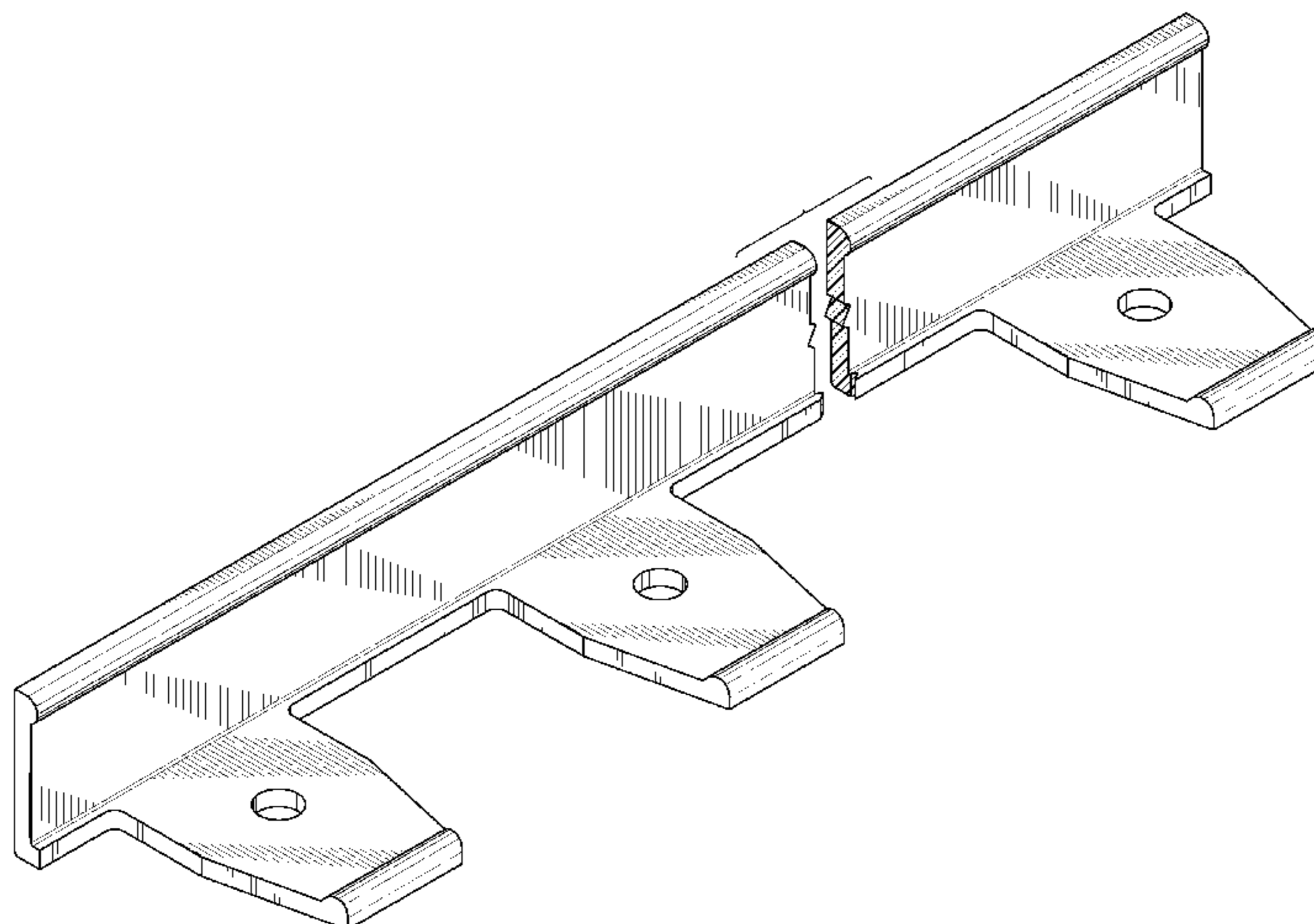
U.S. PATENT DOCUMENTS

268,441 A	12/1882	Tunica
457,886 A	8/1891	Landis
992,529 A	5/1911	Abraham
1,666,613 A	4/1928	Woods
1,997,876 A	4/1935	Sheldon
2,163,613 A	6/1939	Manofsky
2,164,681 A	7/1939	Fould
2,193,425 A	3/1940	Lake
D130,420 S	11/1941	Schlatter
D151,022 S	9/1948	Weber et al.
D178,659 S	9/1956	Hield

**DESCRIPTION**

FIG. 1 is a perspective view of a lawn edging showing our new design and broken in the center thereof to show indeterminate length;  
FIG. 2 is a top plan view thereof;  
FIG. 3 is a bottom plan view thereof;  
FIG. 4 is a left side elevational view thereof with the right side elevational view thereof being a mirror image;  
FIG. 5 is a front elevational view thereof;  
FIG. 6 is a rear elevational view thereof; and,  
FIG. 7 is a top plan view shown in a "U" configuration.

**1 Claim, 4 Drawing Sheets**



(56)

References Cited

U.S. PATENT DOCUMENTS

3,222,841 A 12/1965 Lipof  
 3,314,193 A 4/1967 Chancellor  
 3,332,197 A 7/1967 Hinkle  
 3,378,949 A 4/1968 Dorris  
 3,484,989 A 12/1969 Lazinsky  
 3,520,082 A 7/1970 Smith  
 3,604,164 A 9/1971 Mason  
 3,619,944 A 11/1971 Matvey  
 3,728,837 A 4/1973 Kiefer, Jr.  
 3,788,001 A 1/1974 Balfanz, Jr.  
 3,815,311 A 6/1974 Nisula et al.  
 3,957,383 A 5/1976 Fredericks  
 4,182,072 A 1/1980 Much  
 4,202,145 A 5/1980 Coulter et al.  
 4,349,596 A 9/1982 Hendrix  
 4,628,632 A 12/1986 Zwier  
 4,744,194 A 5/1988 Yasuyoshi  
 4,761,923 A 9/1988 Reum et al.  
 4,809,459 A 3/1989 Brylla et al.  
 4,824,068 A 4/1989 Ferland  
 4,858,379 A 8/1989 West  
 4,863,307 A 9/1989 Jones  
 4,905,442 A 3/1990 Daniels  
 4,907,783 A 3/1990 Fisk et al.  
 4,987,717 A 1/1991 Dameron, Jr.  
 5,020,272 A 6/1991 Herrema et al.  
 5,048,241 A 9/1991 Gavin, Jr.  
 5,117,583 A 6/1992 Reum  
 D329,707 S 9/1992 Embree et al.  
 D329,709 S 9/1992 Strobl, Jr.  
 5,152,507 A 10/1992 Lee  
 5,157,867 A 10/1992 Fritch  
 5,212,917 A 5/1993 Kurtz et al.  
 5,240,343 A 8/1993 Strobl, Jr.  
 D339,199 S 9/1993 Rynberk  
 5,301,461 A 4/1994 Zwier  
 5,375,941 A 12/1994 Strobl, Jr.  
 5,379,546 A 1/1995 Popp  
 5,421,118 A 6/1995 Bauer  
 5,442,877 A 8/1995 Lindhal  
 D363,788 S 10/1995 Caley  
 D366,191 S 1/1996 Gay  
 5,501,036 A 3/1996 Torp, Jr. et al.  
 D368,969 S 4/1996 Davies  
 D372,547 S 8/1996 Sjodin  
 D373,205 S 8/1996 Caley  
 5,544,445 A 8/1996 Mantilla  
 D378,857 S 4/1997 Hale  
 5,640,801 A 6/1997 Rynberk  
 D393,164 S 4/1998 Russell et al.

5,771,643 A 6/1998 Parker  
 5,772,357 A 6/1998 Evans  
 D400,985 S 11/1998 Risi  
 D408,558 S 4/1999 Levy  
 5,930,947 A 8/1999 Eckhoff  
 5,941,018 A 8/1999 Herrema  
 6,012,254 A 1/2000 Gaston  
 6,030,144 A 2/2000 Cannella  
 6,038,811 A 3/2000 Conway  
 D424,714 S 5/2000 Hale  
 6,085,458 A 7/2000 Gau  
 6,099,201 A 8/2000 Abbrancati  
 6,108,969 A 8/2000 Danna et al.  
 6,226,934 B1 5/2001 Gaston  
 6,324,782 B1 12/2001 Gaston  
 6,324,783 B1 12/2001 McIntyre et al.  
 D453,578 S 2/2002 Olson  
 6,345,465 B1 2/2002 Allen et al.  
 6,379,078 B1 4/2002 Zwier  
 D462,788 S 9/2002 Thornton et al.  
 D463,581 S 9/2002 Mann  
 6,449,897 B1 9/2002 Gaston  
 6,485,226 B1 11/2002 Harger  
 D467,015 S 12/2002 O'Brien  
 6,568,126 B2 5/2003 Womack  
 6,619,565 B1 9/2003 Abbott  
 6,629,383 B2 10/2003 Allen et al.  
 D489,465 S 5/2004 Allsopp  
 6,754,989 B2 6/2004 Eicher  
 6,779,297 B2 8/2004 Conde  
 D541,952 S 5/2007 Keeley et al.  
 D543,286 S 5/2007 Keeley et al.  
 D548,368 S 8/2007 Hale et al.  
 D586,005 S 2/2009 Schumaker et al.  
 D586,926 S \* 2/2009 Orton ..... D25/119  
 D606,670 S 12/2009 Keeley  
 D612,072 S 3/2010 Keeley  
 2002/0139045 A1 10/2002 Womack  
 2003/0188478 A1 10/2003 Womack

FOREIGN PATENT DOCUMENTS

JP 7255277 10/1995  
 JP 2002253060 A 9/2002  
 JP 3490497 B2 1/2004

OTHER PUBLICATIONS

Valley View Specialties Co., Diamond-Lok Paver/Briick Edging, Pre Apr. 1996.  
 Permaloc, Structure Edge Interlocking Snap-down Splicing System, Pre Apr. 1996.

\* cited by examiner

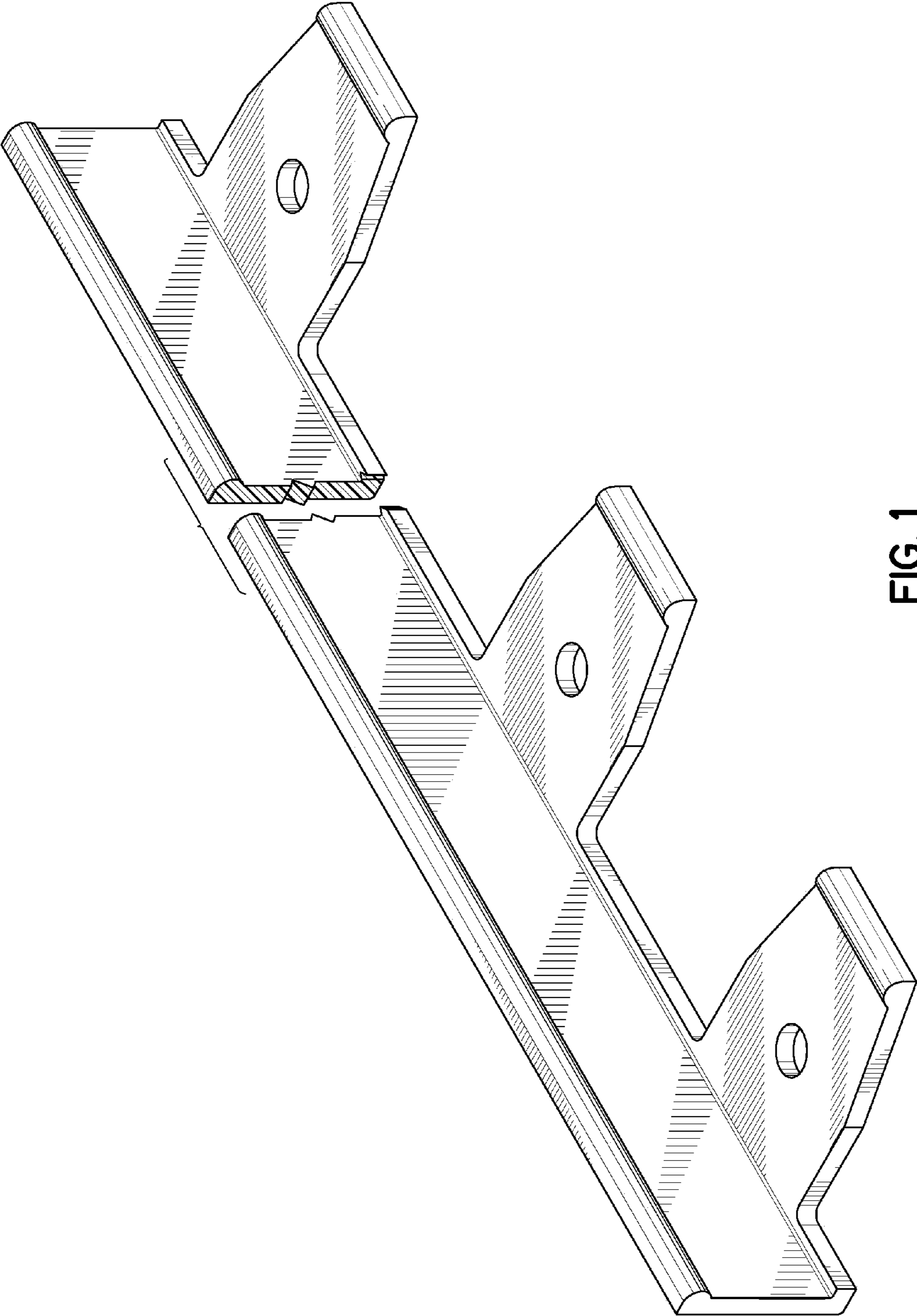


FIG. 1

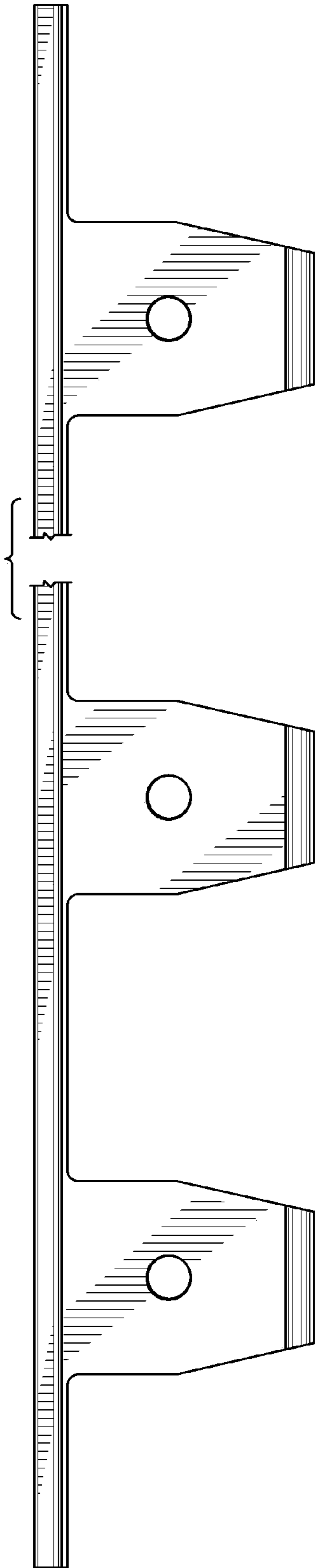


FIG. 2

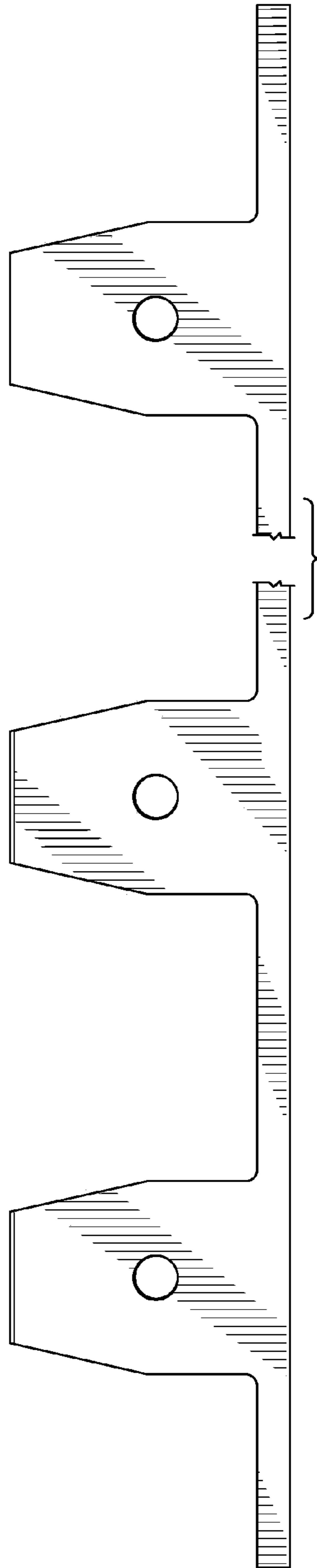


FIG. 3

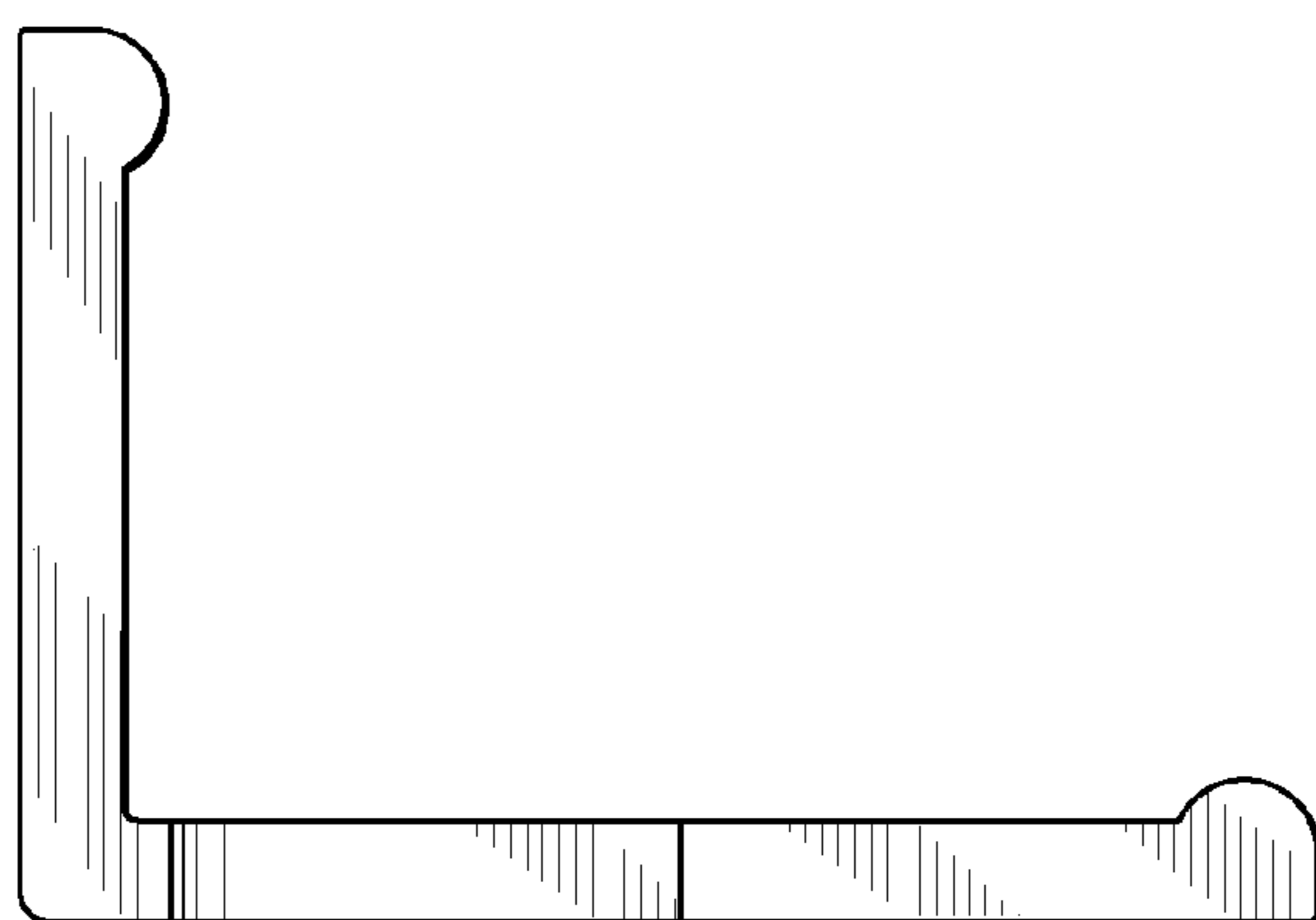


FIG. 4

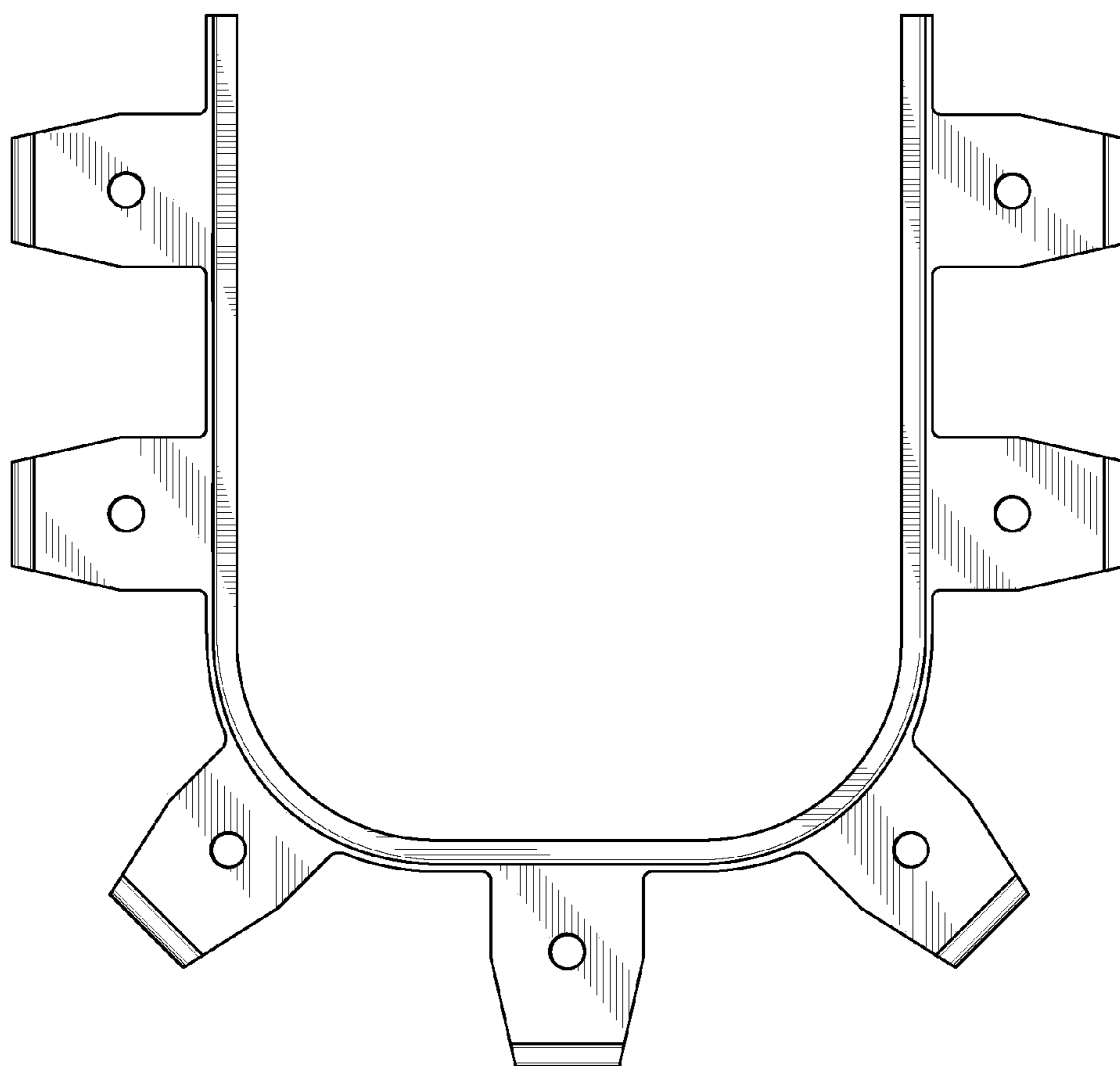


FIG. 7

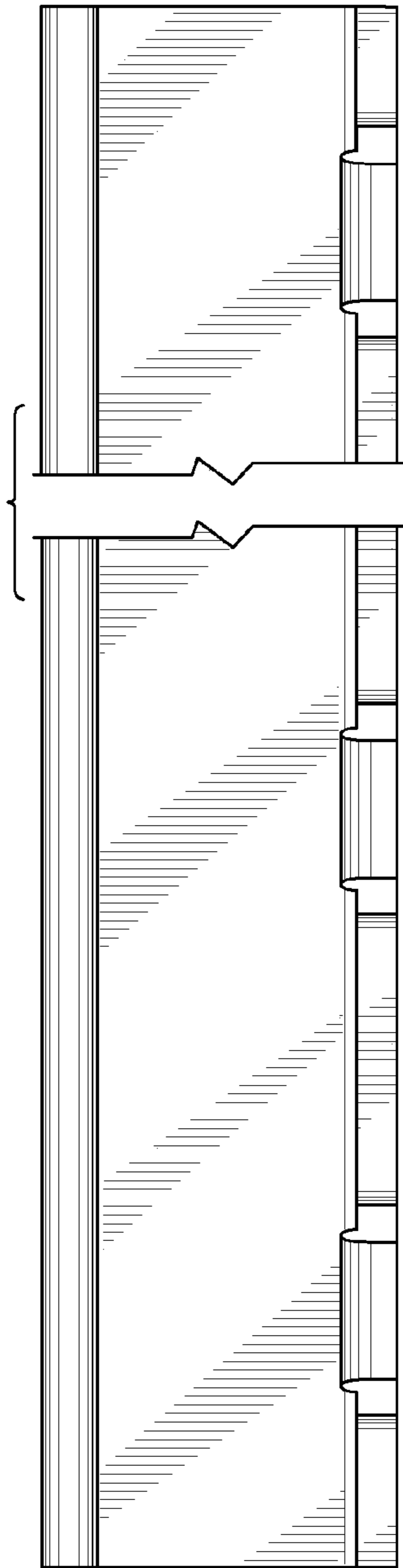


FIG. 5

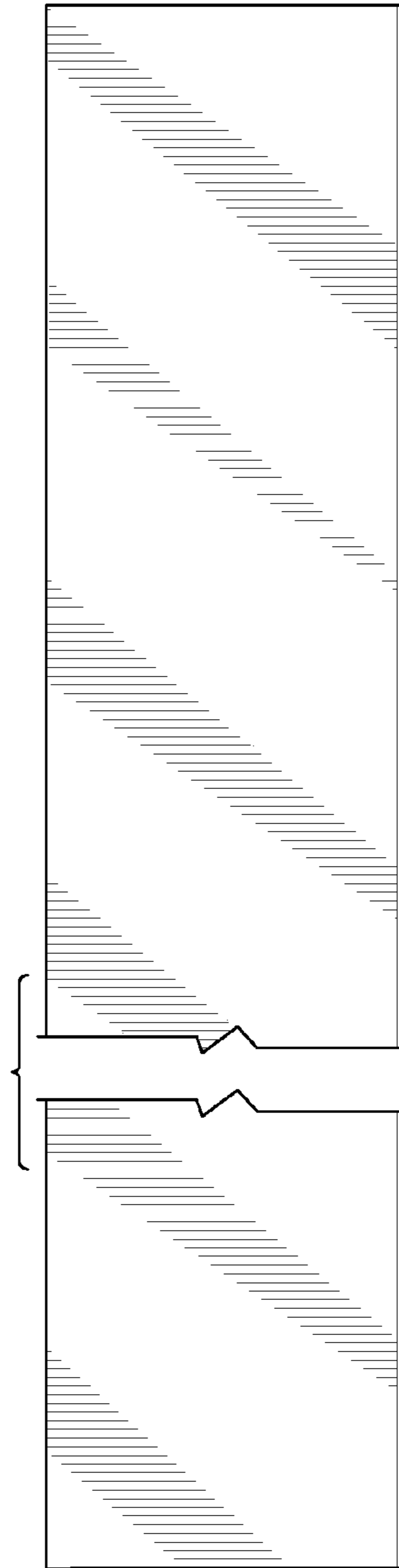


FIG. 6