



US00D748821S

(12) **United States Design Patent**
Dominguez

(10) **Patent No.:** **US D748,821 S**
(45) **Date of Patent:** **** Feb. 2, 2016**

(54) **BARROW WHEEL AND SPOOL DISPENSER MATERIAL ATTACHMENT SET FOR A LADDER**

(71) Applicant: **Armando Dominguez**, Miami, FL (US)

(72) Inventor: **Armando Dominguez**, Miami, FL (US)

(**) Term: **14 Years**

(21) Appl. No.: **29/474,826**

(22) Filed: **Feb. 23, 2015**

(51) **LOC (10) Cl.** **25-04**

(52) **U.S. Cl.**
USPC **D25/68; D34/27**

(58) **Field of Classification Search**
USPC D25/68, 64; D34/27
CPC E06C 7/42; E06C 7/423; E06C 7/426;
E06C 5/42; E06C 1/397; E06C 1/39; B62B
5/0083; B62B 1/002; B62B 1/04; B62B
1/125; B62B 1/18
See application file for complete search history.

(56) **References Cited**

U.S. PATENT DOCUMENTS

1,377,977 A * 5/1921 Sorg E06C 1/18
182/105
4,258,826 A * 3/1981 Murray B62B 1/002
182/103

D593,272 S * 5/2009 Hailston D34/27
D668,789 S * 10/2012 Green D25/68
2002/0089135 A1 * 7/2002 Feik B62B 5/0083
280/63
2007/0199768 A1 * 8/2007 Duke A01M 31/006
182/21

* cited by examiner

Primary Examiner — Doris Clark

(57) **CLAIM**

The ornamental design for barrow wheel and spool dispenser material attachment set for a ladder, as shown and described.

DESCRIPTION

FIG. 1 is a front and side perspective view of a barrow wheel and spool dispenser material attachment set for a ladder.

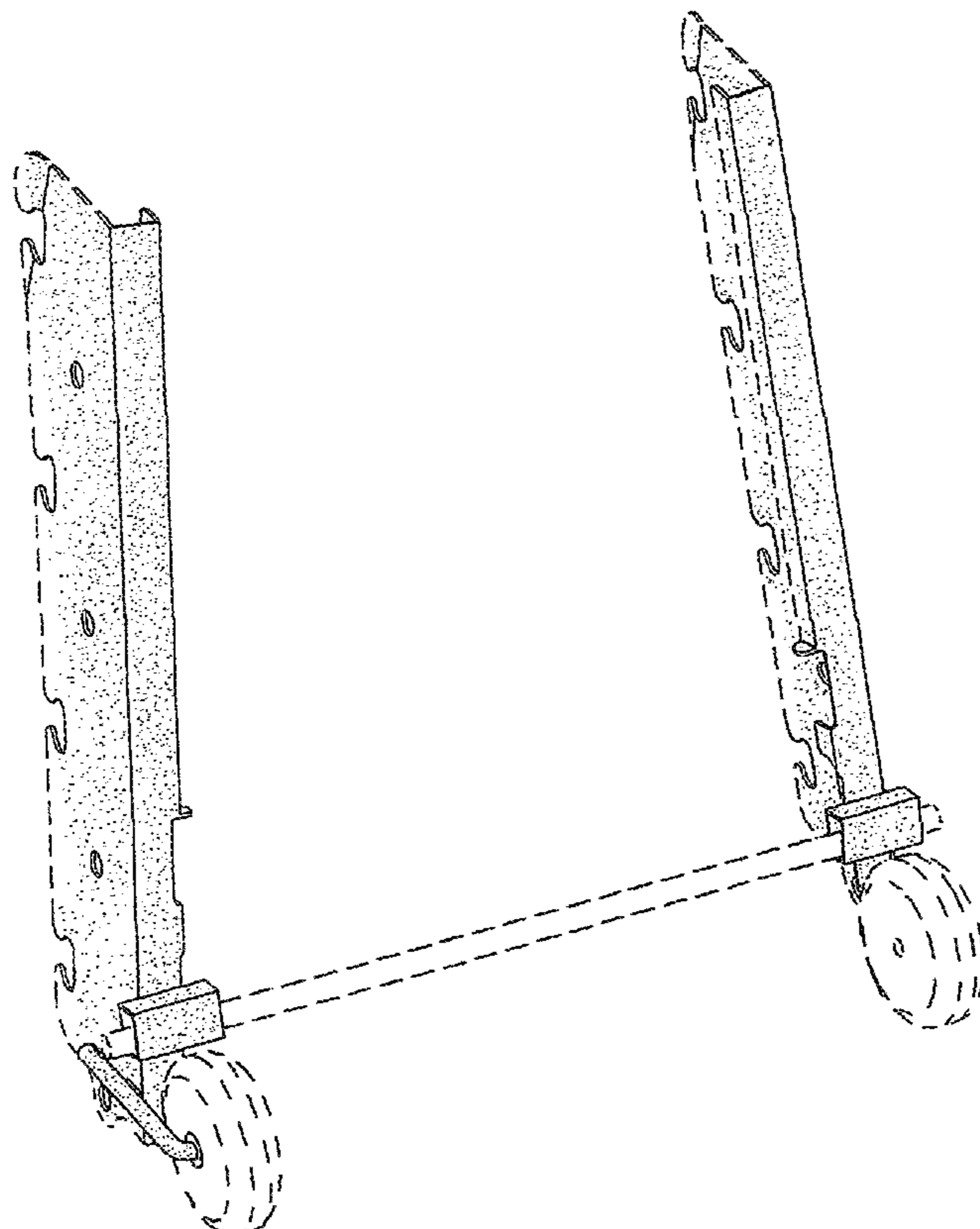
FIG. 2 is a rear perspective view thereof.

FIG. 3 is a side elevation view installed on the barrow wheel and spool dispenser material attachment set for a ladder, as a spool material dispenser; and,

FIG. 4 is a side elevation view installed on the barrow wheel and spool dispenser material attachment set for a ladder, as a barrow wheel.

The broken lines are for illustrative purposes only and form no part of the claimed design.

1 Claim, 3 Drawing Sheets



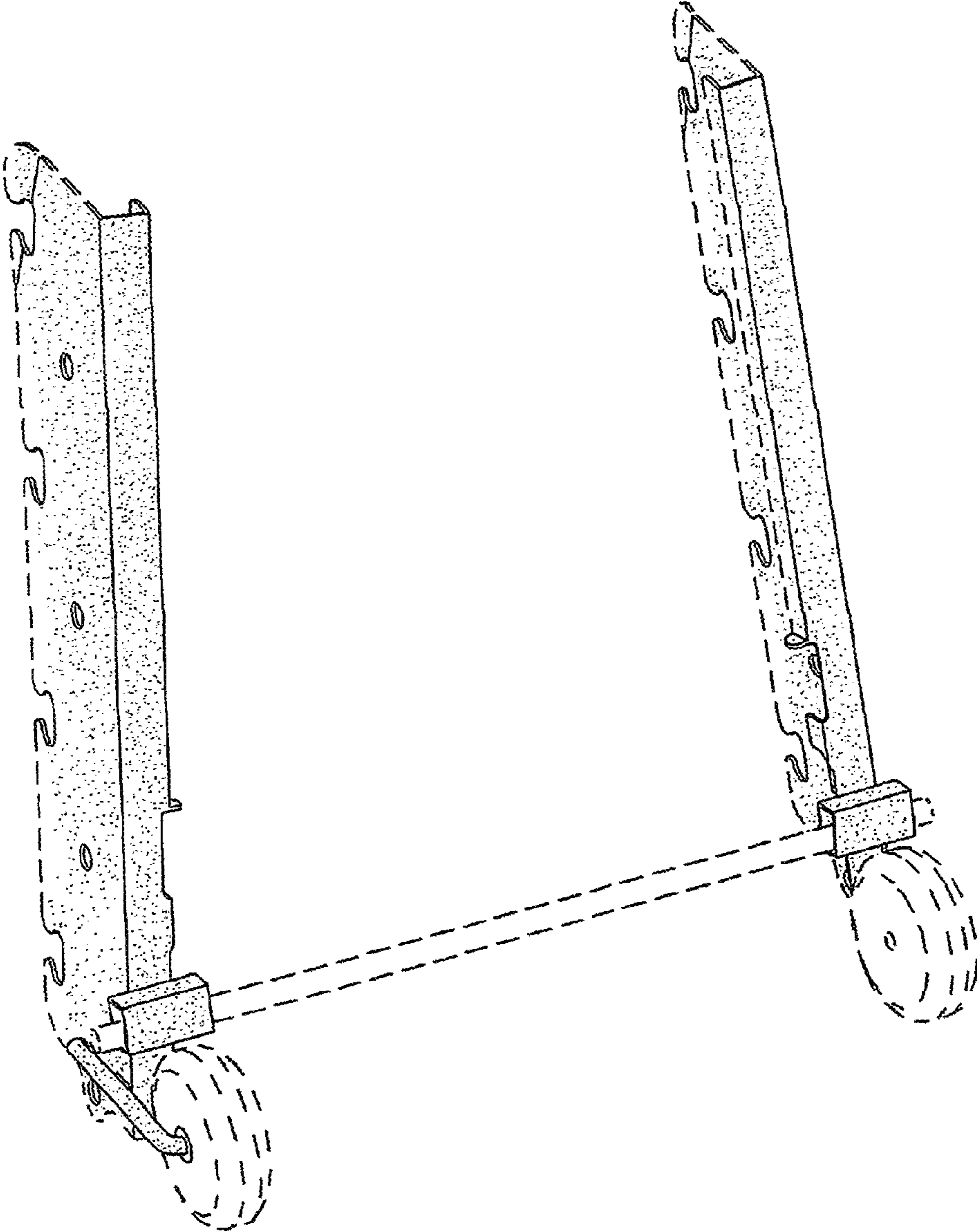


FIG 1

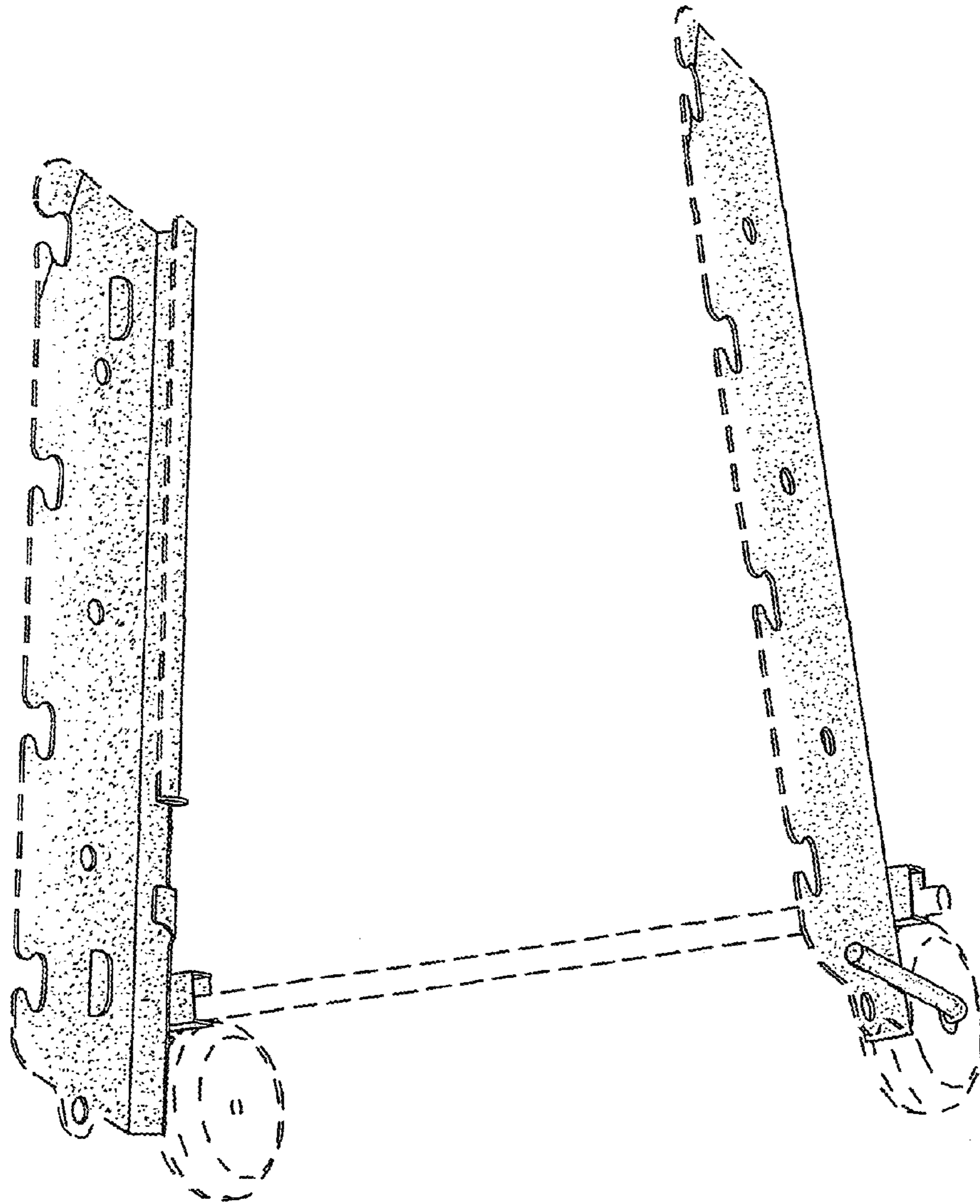


FIG 2

FIG 3

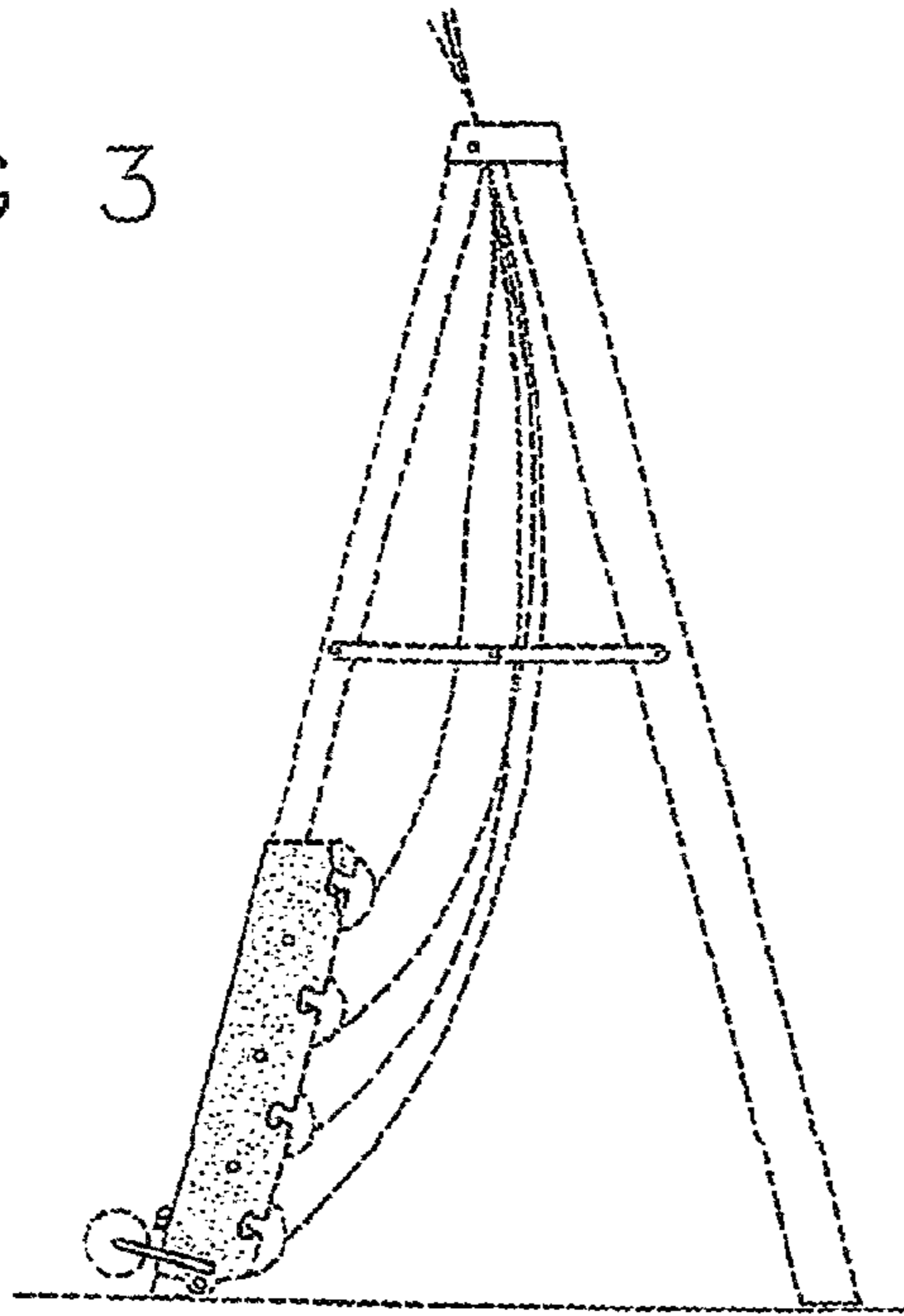


FIG 4

