



US00D748819S

(12) **United States Design Patent**  
**Indio Da Costa et al.**

(10) **Patent No.:** **US D748,819 S**  
(45) **Date of Patent:** **\*\* Feb. 2, 2016**

(54) **BUS SHELTER**

(71) Applicant: **Odebrecht Transport Participações**  
S/A, Pinheiros (BR)

(72) Inventors: **Luiz Eduardo Indio Da Costa**, Rio de Janeiro (BR); **Luiz Augusto De Siqueira Indio Da Costa**, Rio de Janeiro (BR); **Till Pupak**, Rio de Janeiro (BR); **Marcos Lima Nogueira Costa**, Rio de Janeiro (BR)

(73) Assignee: **Odebrecht Transport Participações**  
S/A, Sao Paulo (BR)

(\*\*) Term: **14 Years**

(21) Appl. No.: **29/492,930**

(22) Filed: **Jun. 4, 2014**

**Related U.S. Application Data**

(62) Division of application No. 29/440,037, filed on Dec. 18, 2012, now Pat. No. Des. 717,472.

(30) **Foreign Application Priority Data**

Jun. 18, 2012 (BR) ..... 3020120037131

(51) **LOC (10) Cl.** ..... **25-02**

(52) **U.S. Cl.**  
USPC ..... **D25/56**

(58) **Field of Classification Search**

USPC ..... D25/56; 135/90, 97; 136/251; 52/173.3,  
52/36.2, 73, 79.1, 28, 36.1  
CPC ..... E04H 1/1211; E04H 1/1216; E04H 1/12  
See application file for complete search history.

(56) **References Cited**

U.S. PATENT DOCUMENTS

3,762,109 A \* 10/1973 Cohen ..... E04H 1/1211  
52/11  
D254,448 S \* 3/1980 Dattner ..... D25/18  
5,363,608 A \* 11/1994 Conlan ..... E04H 1/1211  
52/66  
D500,143 S \* 12/2004 Moncho ..... D25/56

\* cited by examiner

*Primary Examiner* — Doris Clark

(74) *Attorney, Agent, or Firm* — Sughrue Mion, PLLC

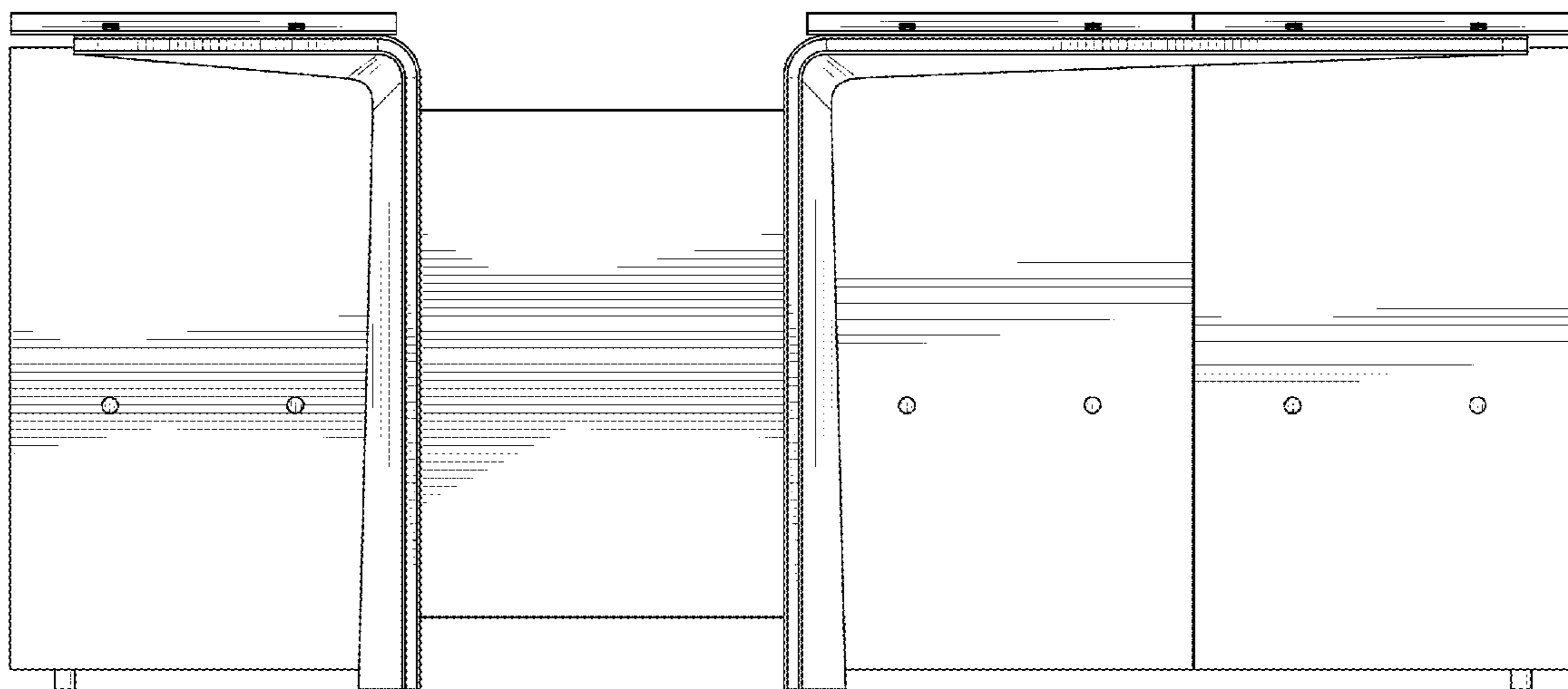
(57) **CLAIM**

The ornamental design for a bus shelter, as shown and described.

**DESCRIPTION**

FIG. 1—a front view of a bus shelter showing our new design;  
FIG. 2—a rear view thereof;  
FIG. 3—a right side view thereof;  
FIG. 4—a left side view thereof;  
FIG. 5—a top view thereof;  
FIG. 6—a bottom view thereof; and,  
FIG. 7—a perspective view thereof.

**1 Claim, 5 Drawing Sheets**



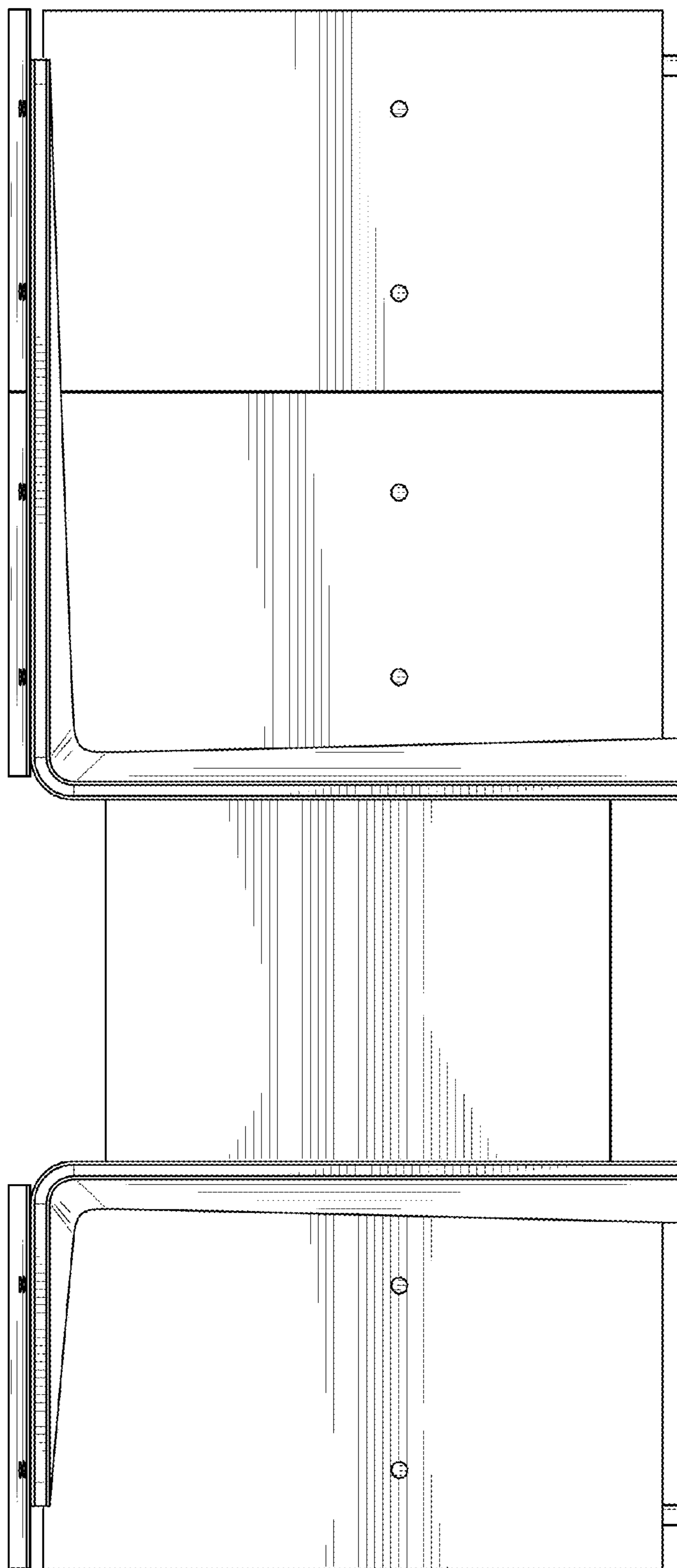


FIG. 1

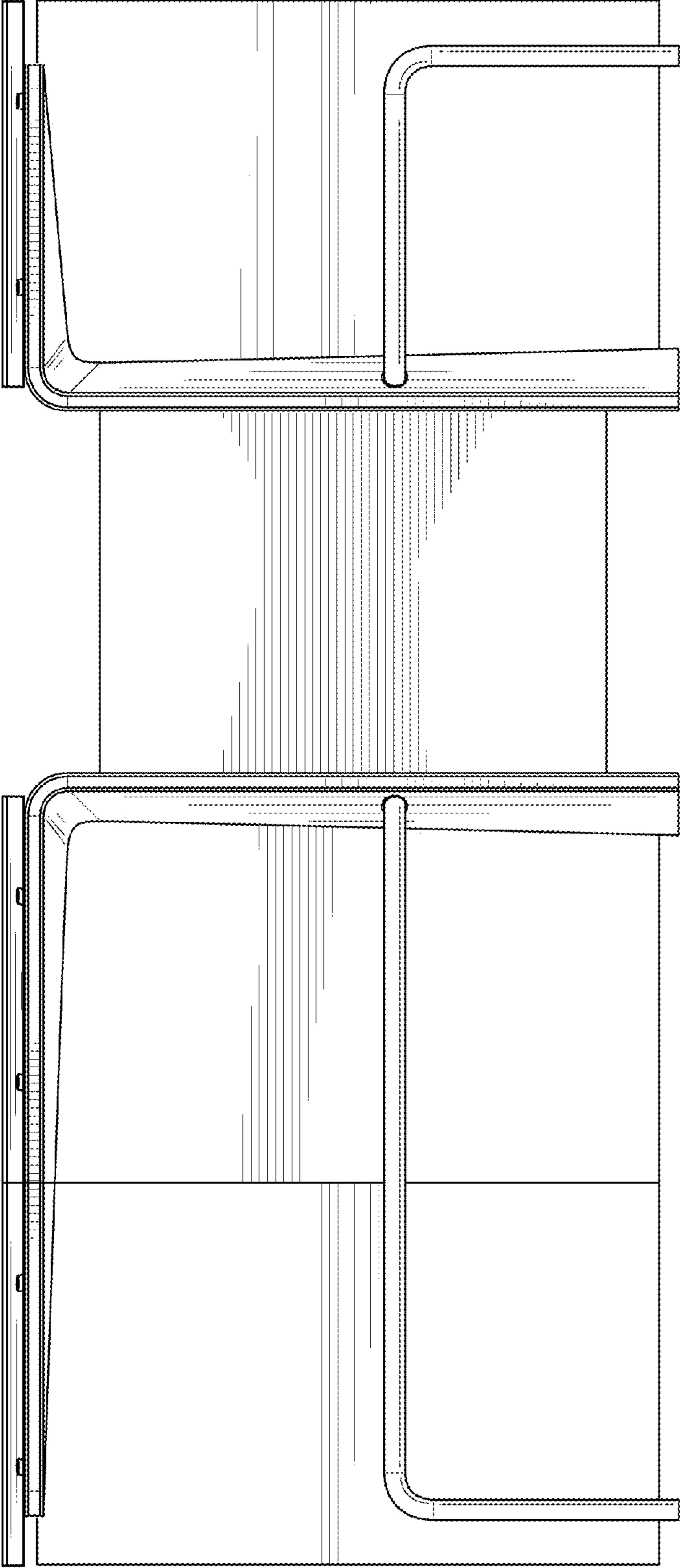
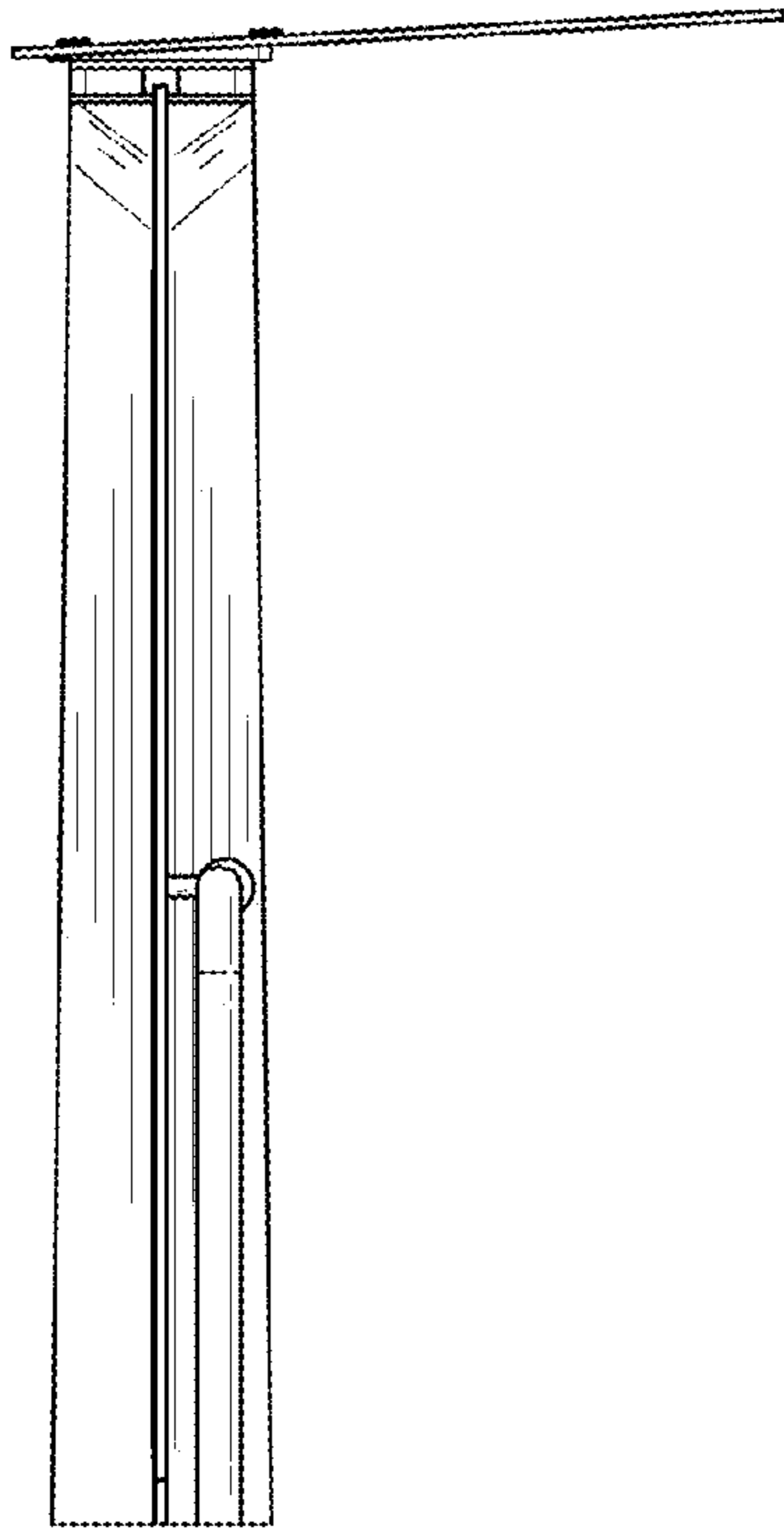
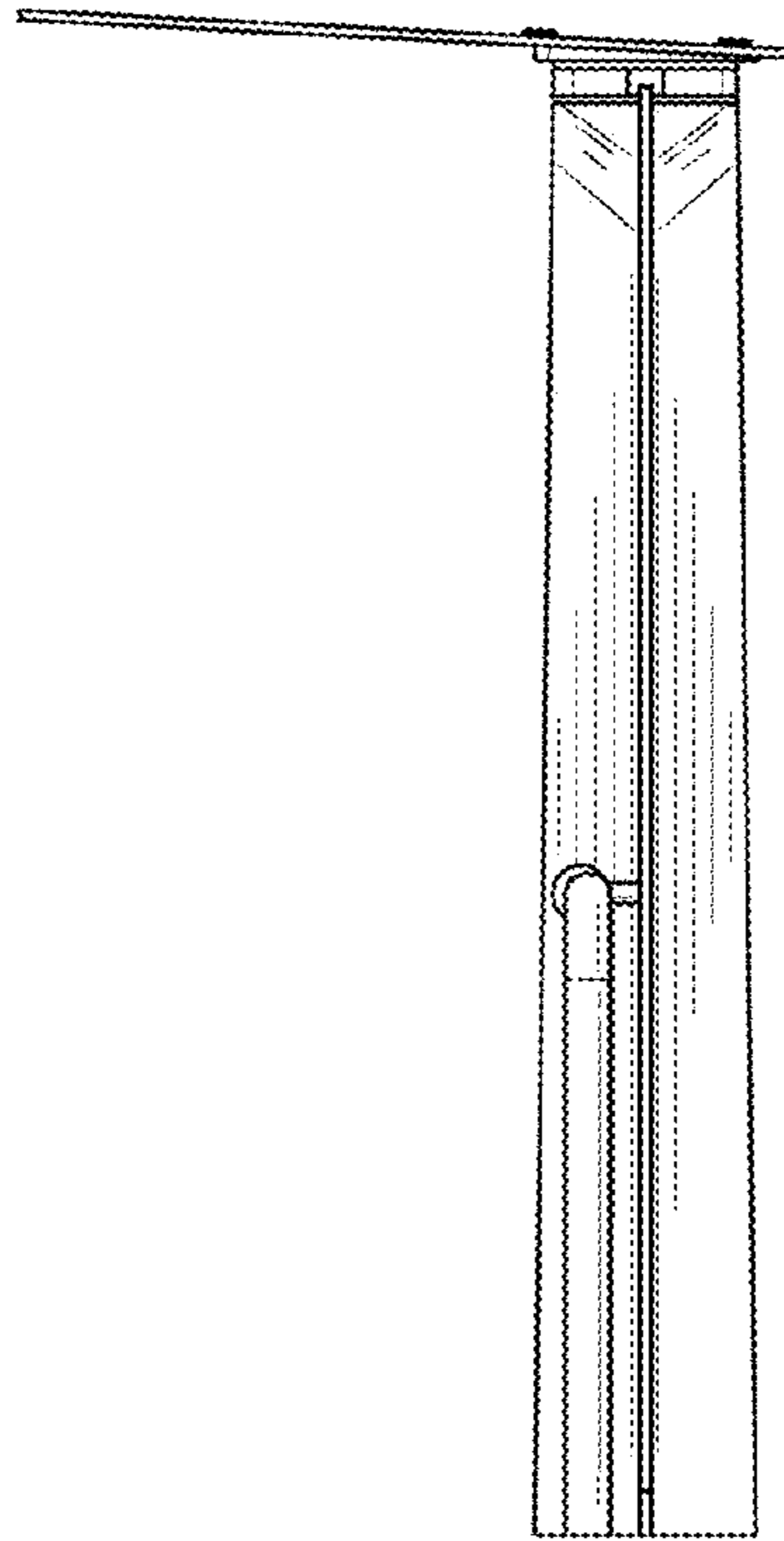


FIG. 2



**FIG. 3**



**FIG. 4**

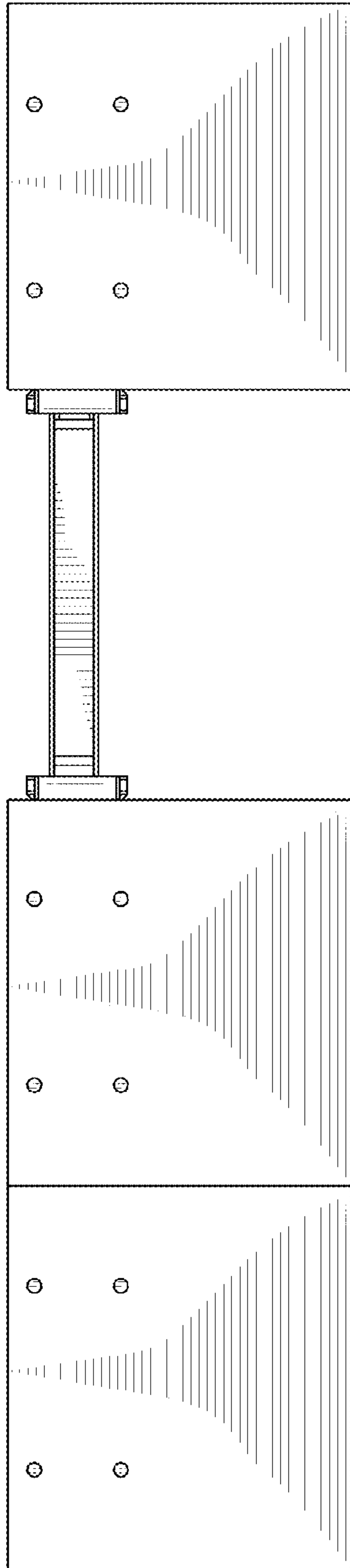


FIG. 5

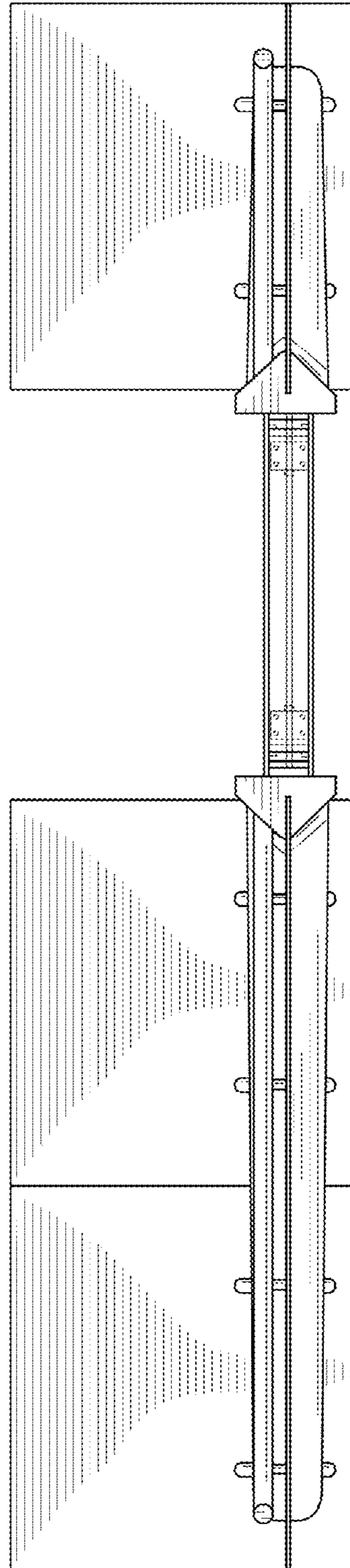


FIG. 6

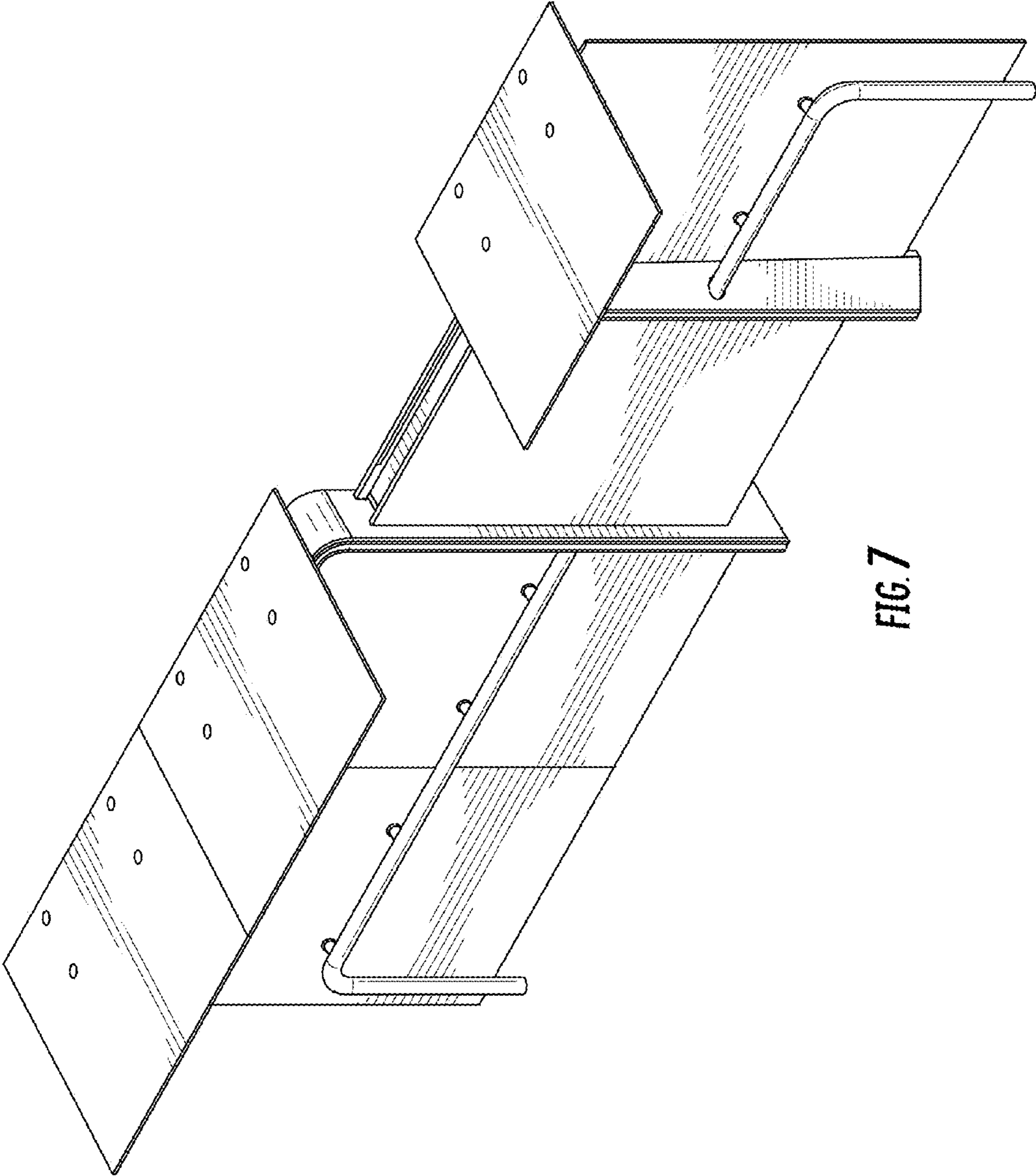


FIG. 7