



US00D748815S

(12) **United States Design Patent**
Murray et al.

(10) **Patent No.:** **US D748,815 S**

(45) **Date of Patent:** **** Feb. 2, 2016**

(54) **ELECTROPHORESIS APPARATUS**

(71) Applicant: **Edvotek Inc.**, Washington, DC (US)

(72) Inventors: **Thomas William Murray**, Philadelphia, PA (US); **John Depler Coleman**, Philadelphia, PA (US); **Christopher John Murray**, Philadelphia, PA (US)

(73) Assignee: **Edvotek Inc.**, Washington, DC (US)

(**) Term: **14 Years**

(21) Appl. No.: **29/510,830**

(22) Filed: **Dec. 3, 2014**

(51) **LOC (10) Cl.** **24-01**

(52) **U.S. Cl.**
USPC **D24/233**

(58) **Field of Classification Search**
USPC D24/233, 216; D10/81; 204/606,
204/616-621, 466-467
CPC G01N 27/447; G01N 27/44704; G01N
27/44756; G01N 27/44773; G01N 27/44769;
G01N 27/44786
See application file for complete search history.

(56) **References Cited**

U.S. PATENT DOCUMENTS

4,194,963 A * 3/1980 Denckla G01N 27/44756
204/616
D266,150 S * 9/1982 Borsos D24/233

D282,352 S * 1/1986 Hoefler D24/233
4,624,768 A * 11/1986 Yoshida G01N 27/44708
204/616
5,106,477 A * 4/1992 Coleman G01N 27/44704
204/616
D510,770 S * 10/2005 Emerson D24/233
D511,386 S * 11/2005 Emerson D24/233
2015/0160156 A1 * 6/2015 Otonashi G01N 27/447
204/466

OTHER PUBLICATIONS

Edvotek Product Research Guide 2013-2014, pp. 104-106.

* cited by examiner

Primary Examiner — Wan Laymon

(74) *Attorney, Agent, or Firm* — Panitch Schwarze Belisario & Nadel LLP

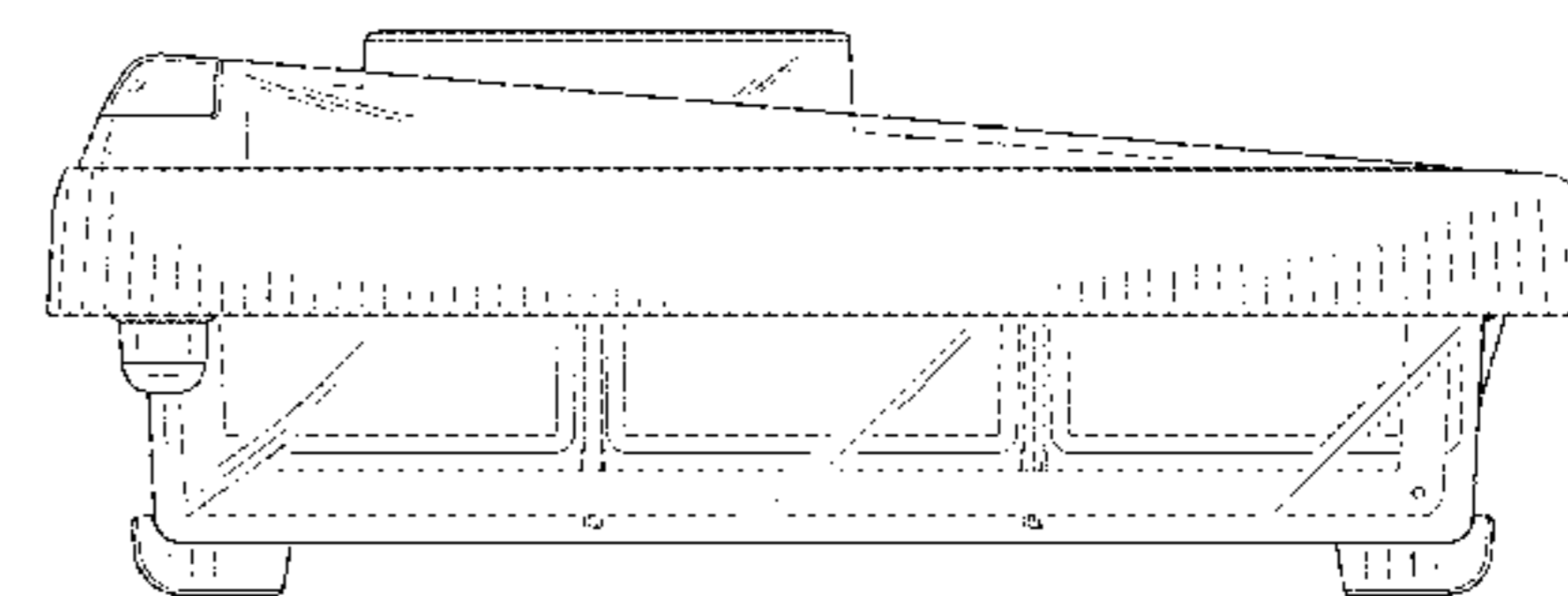
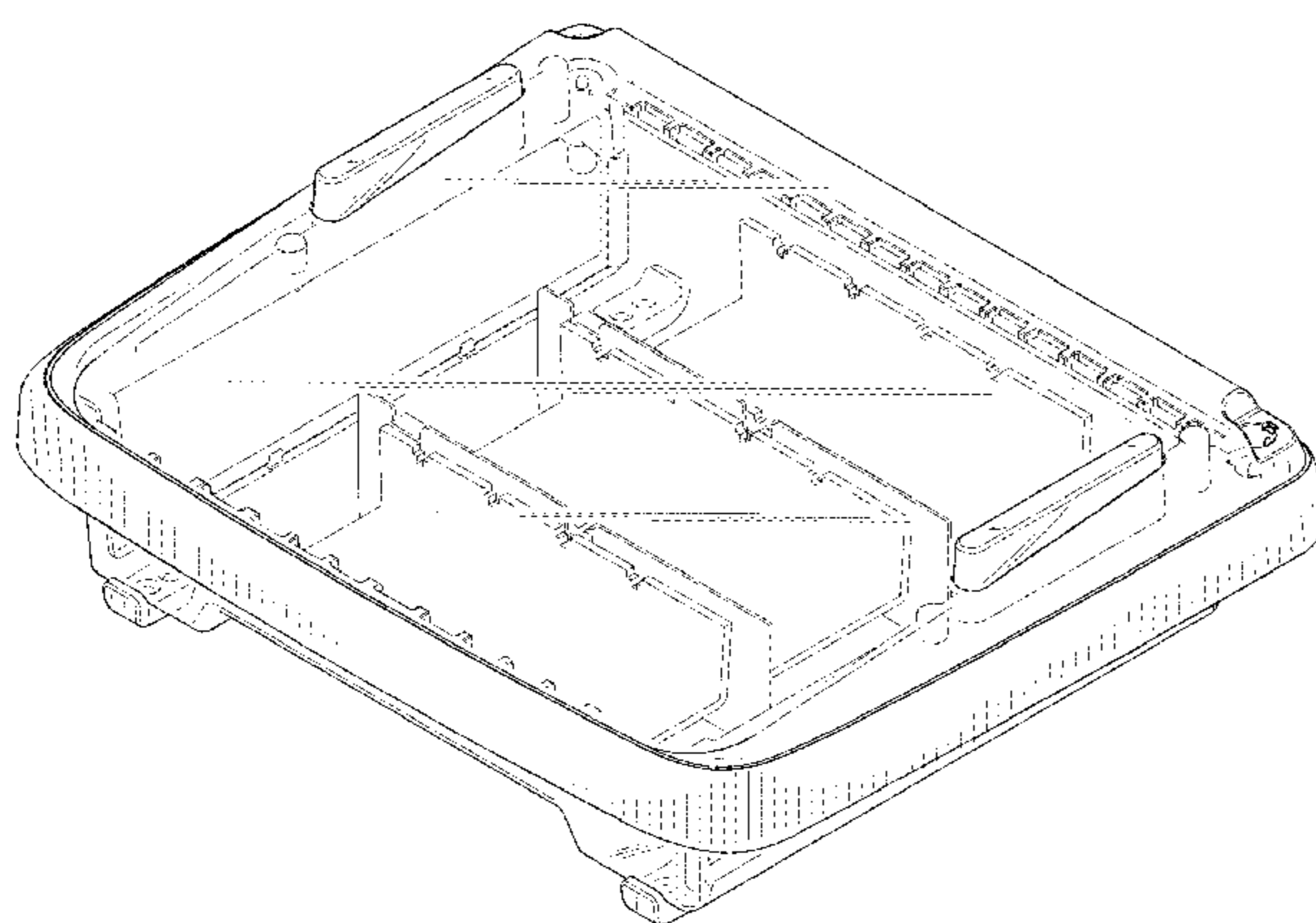
(57) **CLAIM**

The ornamental design for an electrophoresis apparatus, as shown and described.

DESCRIPTION

FIG. 1 is a top, front isometric view of an electrophoresis apparatus in accordance with our new design; FIG. 2 is a front elevation view thereof; FIG. 3 is a rear elevation view thereof; FIG. 4 is a left side elevation view thereof; FIG. 5 is a right side elevation view thereof; FIG. 6 is a top plan view thereof; and, FIG. 7 is a bottom plan view thereof.

1 Claim, 3 Drawing Sheets



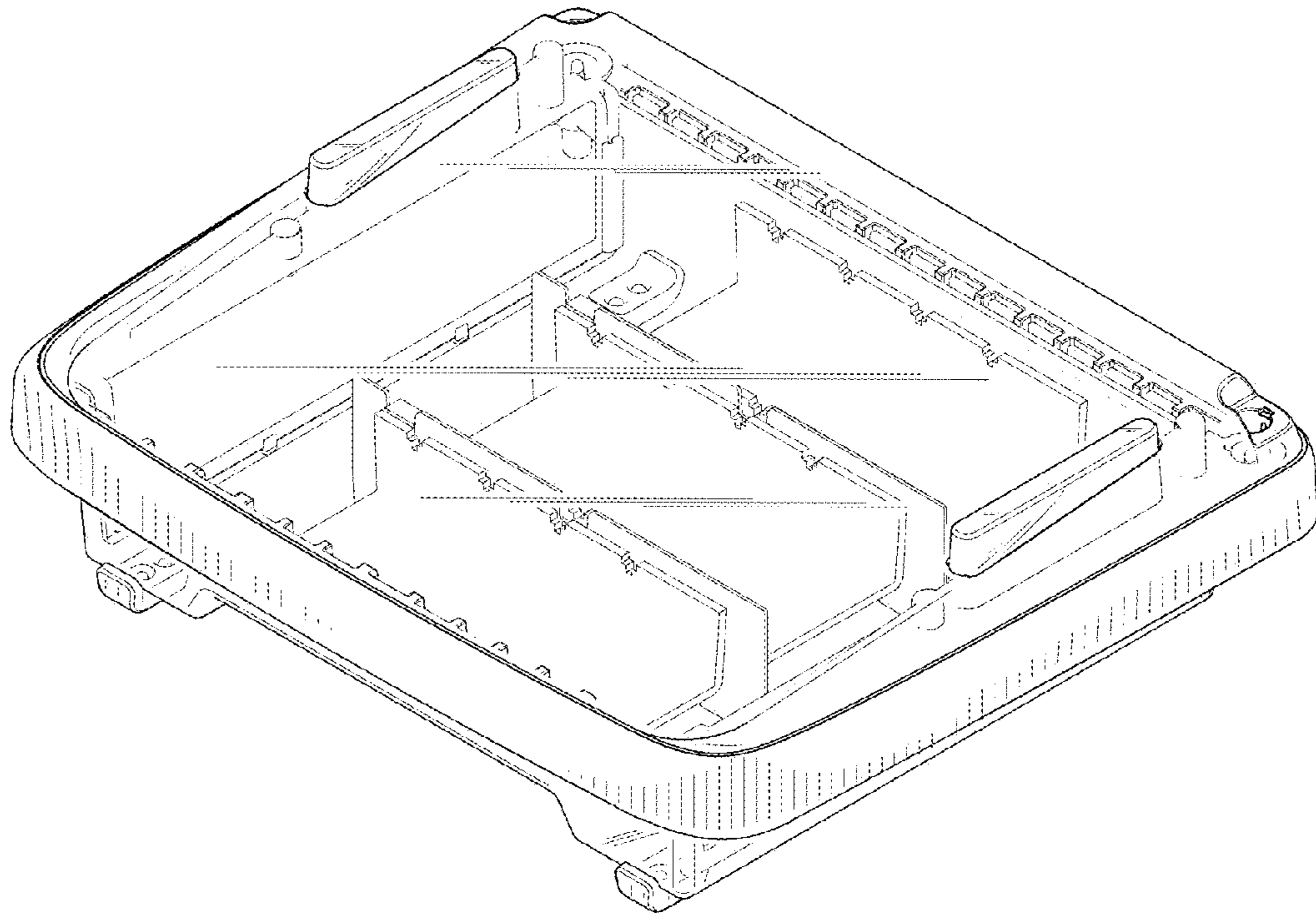


FIG. 1

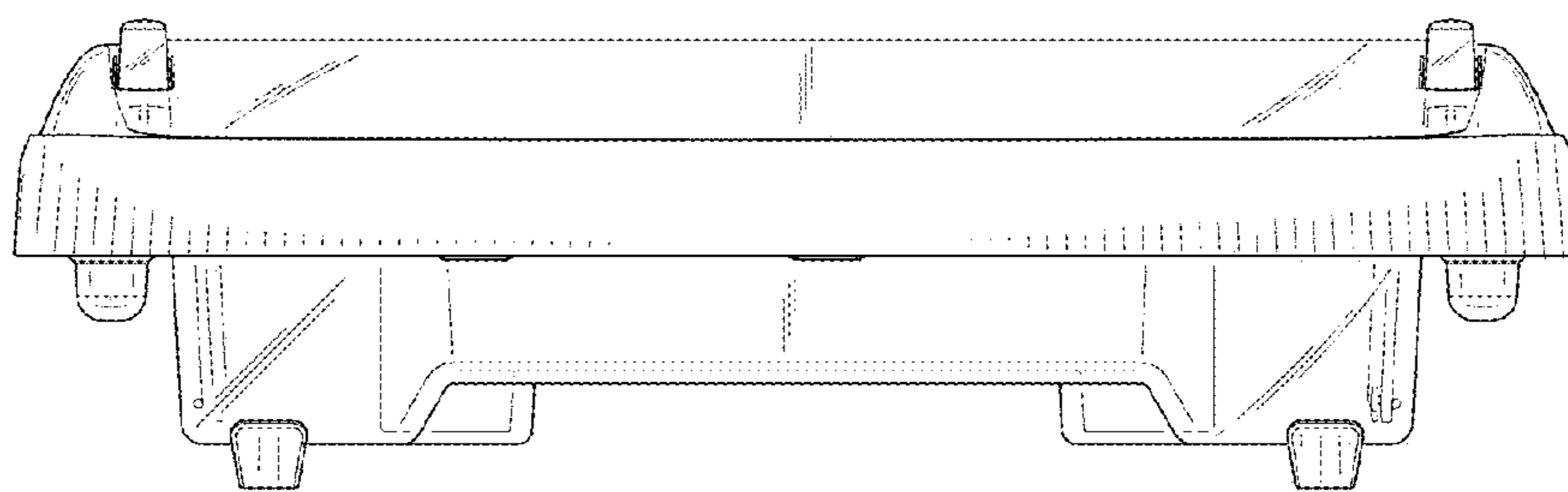


FIG. 2

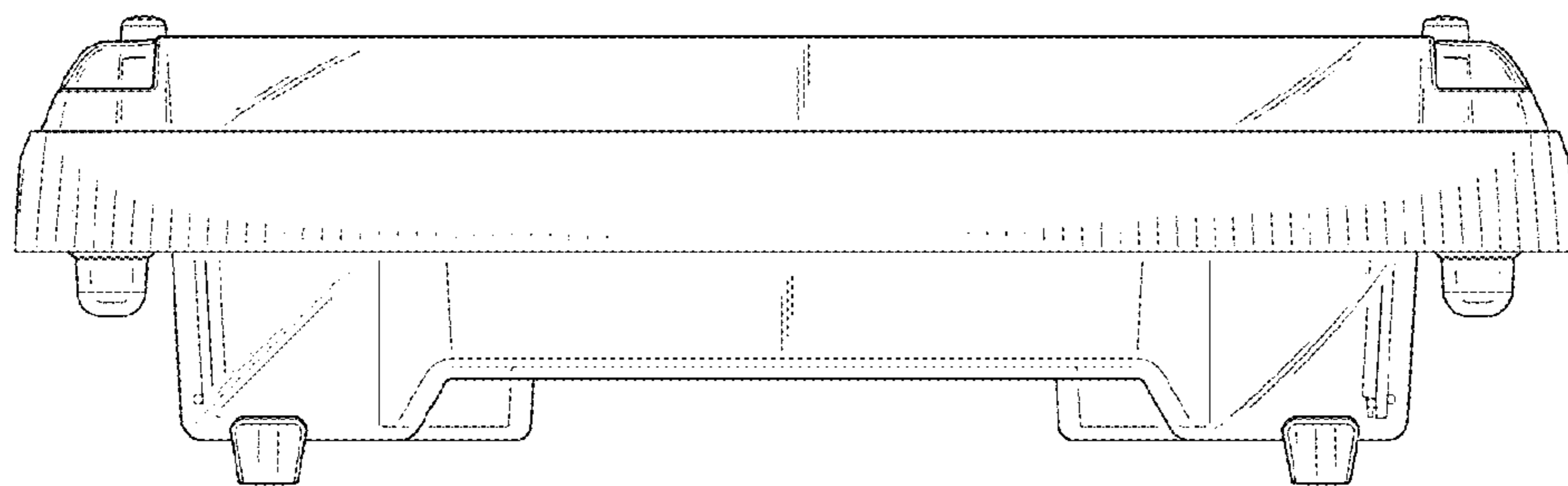


FIG. 3

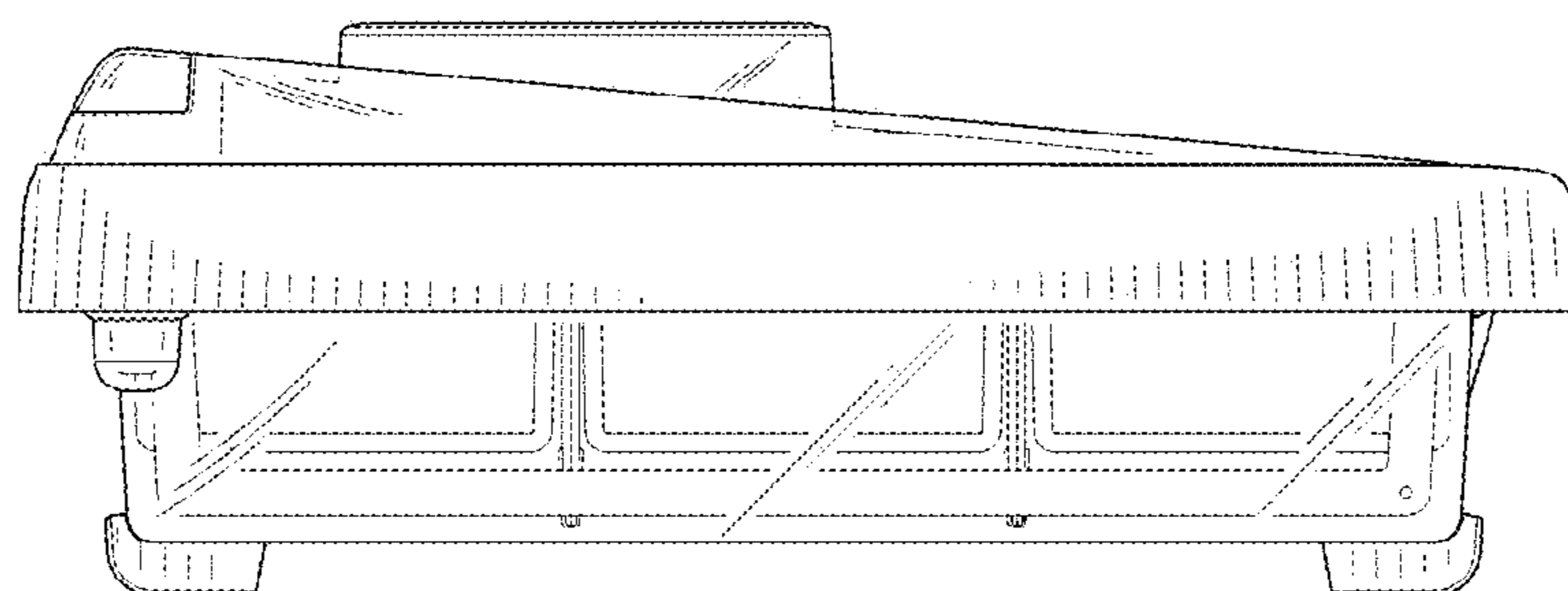


FIG. 4

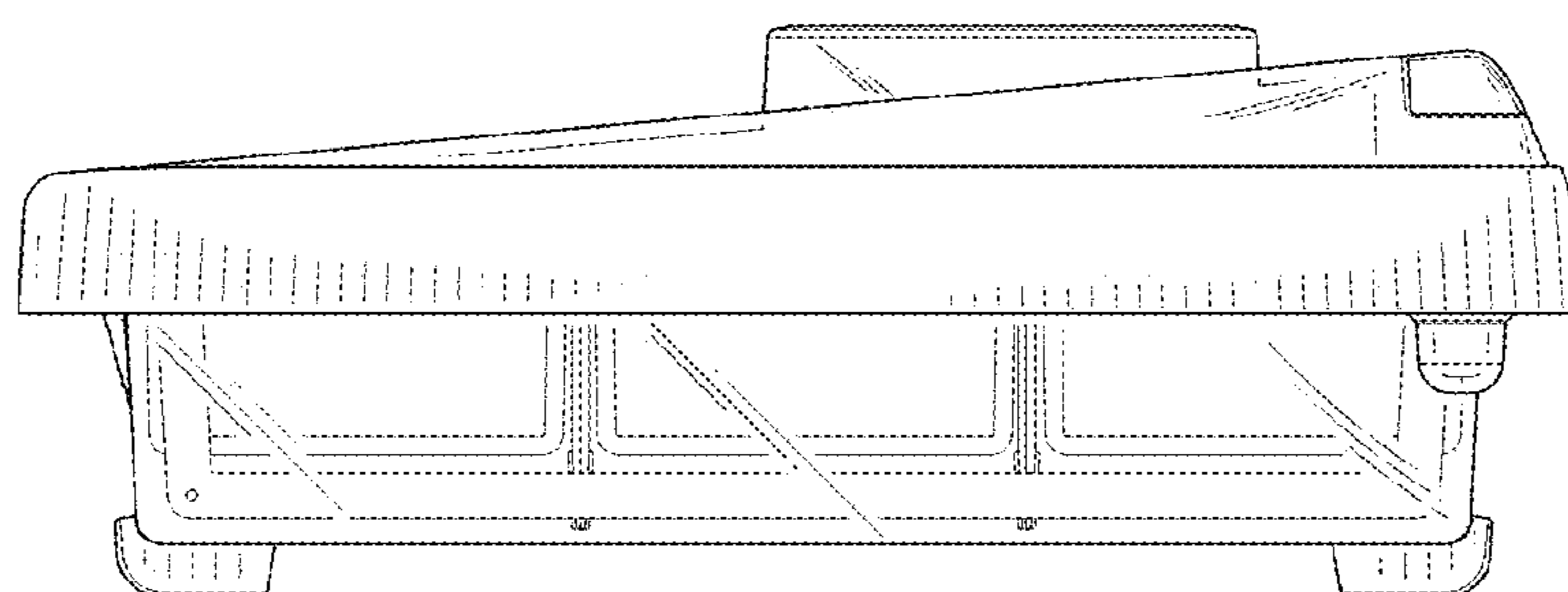


FIG. 5

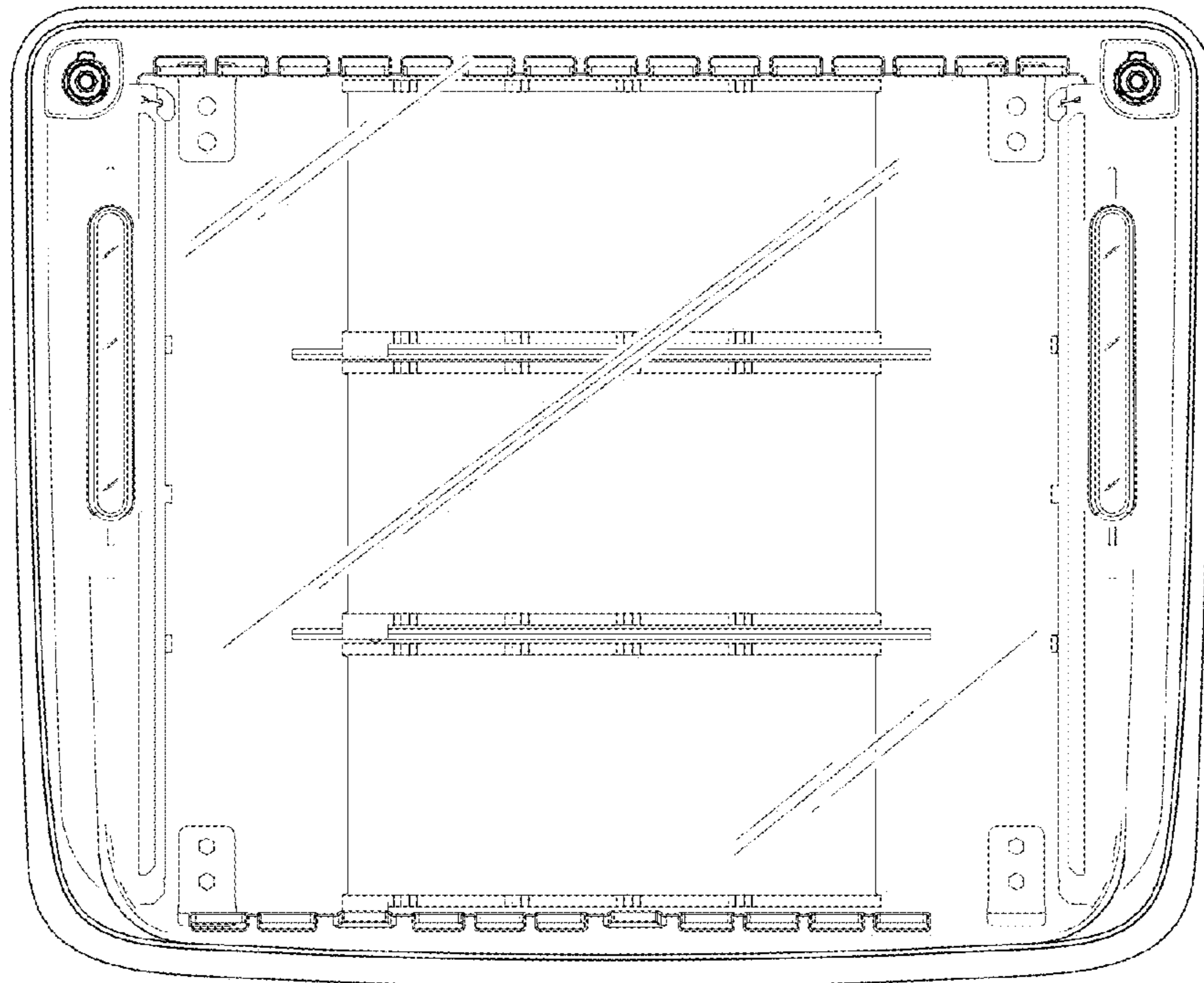


FIG. 6

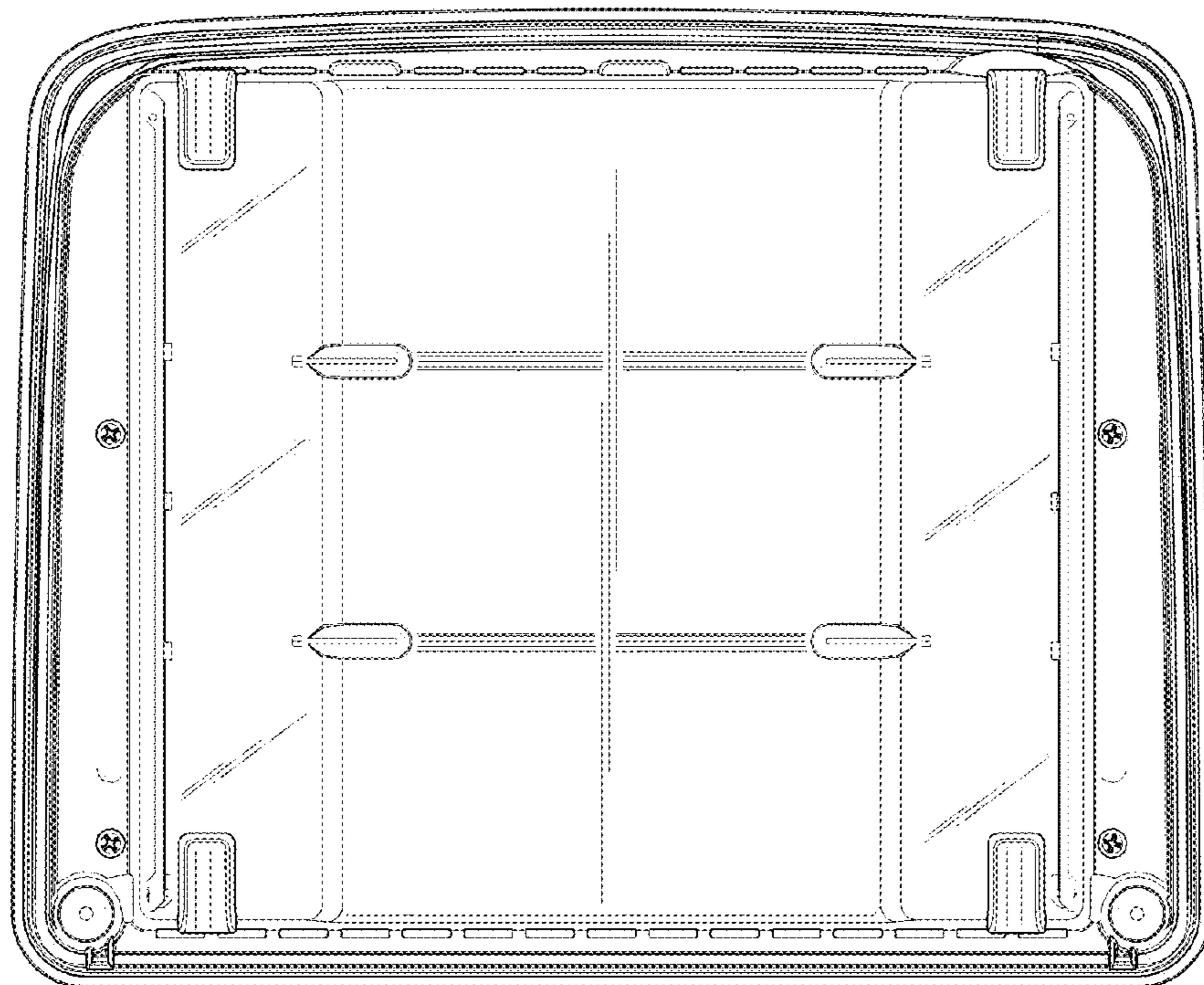


FIG. 7