



US00D748814S

(12) **United States Design Patent**
Han et al.

(10) **Patent No.:** **US D748,814 S**
(45) **Date of Patent:** **** Feb. 2, 2016**

(54) **LABORATORY ANALYZER**

(56) **References Cited**

(71) Applicant: **Ohaus Instruments (Shanghai) Co., Ltd.**, Shanghai (CN)
(72) Inventors: **Hong Han**, Shanghai (CN); **Xun Zhu**, Shanghai (CN)
(73) Assignee: **Ohaus Instruments (Shanghai) Co., Ltd.**, Shanghai (CN)

U.S. PATENT DOCUMENTS

D309,867 S * 8/1990 Johnson D10/81
D338,275 S * 8/1993 Fischer D24/232
D371,748 S * 7/1996 Narayanan D10/81
D378,782 S * 4/1997 LaBarbera D24/232
D665,917 S * 8/2012 TerMaat D24/216
D670,184 S 11/2012 Pobocho et al.
D670,185 S 11/2012 Pobocho et al.
D670,590 S 11/2012 Pobocho et al.
D720,079 S * 12/2014 Oonuma D24/232
D727,766 S * 4/2015 Wu D10/91

(**) Term: **14 Years**

* cited by examiner

(21) Appl. No.: **29/504,179**

Primary Examiner — Wan Laymon

(22) Filed: **Oct. 2, 2014**

(74) *Attorney, Agent, or Firm* — Standley Law Group LLP

(30) **Foreign Application Priority Data**

(57) **CLAIM**

The ornamental design for a laboratory analyzer, as shown and described.

Apr. 4, 2014 (CN) 2014 3 0077950

(51) **LOC (10) Cl.** **24-01**

(52) **U.S. Cl.**
USPC **D24/232**; D24/216

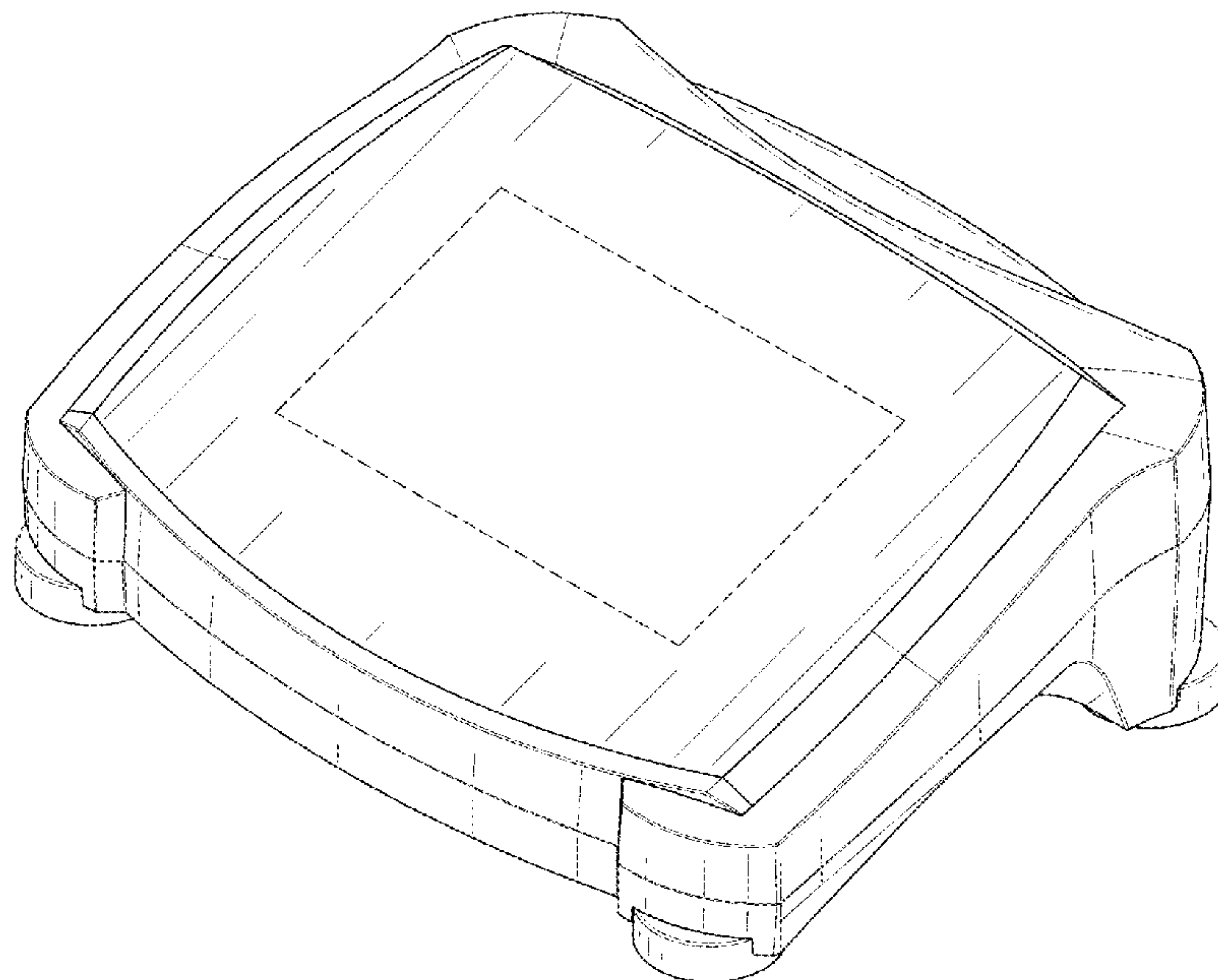
(58) **Field of Classification Search**
USPC D24/231–233, 216; D10/81, 91;
422/62–63, 68.1, 509
CPC G01N 35/00584; G01N 35/00732;
G01N 21/3577; G01N 21/53; G01N 15/147;
B01L 3/545; B01L 2200/10; B01L 3/50273;
B01L 2200/16; B01L 2400/0487; B01L
3/0293

DESCRIPTION

FIG. 1 is a front perspective view of the laboratory analyzer; FIG. 2 is a top plan view of the FIG. 1 device; FIG. 3 is a front elevation view of the FIG. 1 device; FIG. 4 is a left side elevation view of the FIG. 1 device; FIG. 5 is a right side elevations view of the FIG. 1 device; FIG. 6 is a rear elevation view of the FIG. 1 device; FIG. 7 is a bottom plan view of the FIG. 1 device; FIG. 8 is a rear elevation view of the FIG. 1 device; and, FIG. 9 is a bottom plan view of the FIG. 1 device. FIGS. 6 and 7 show the FIG. 1 device with a series of caps, located on the lower rear portion of the device, in an open condition and FIGS. 8 and 9 show the same device with the caps in a closed condition. The broken lines in FIGS. 1-7 and 9 are for illustrating functional features and form no part of the claimed design.

See application file for complete search history.

1 Claim, 5 Drawing Sheets



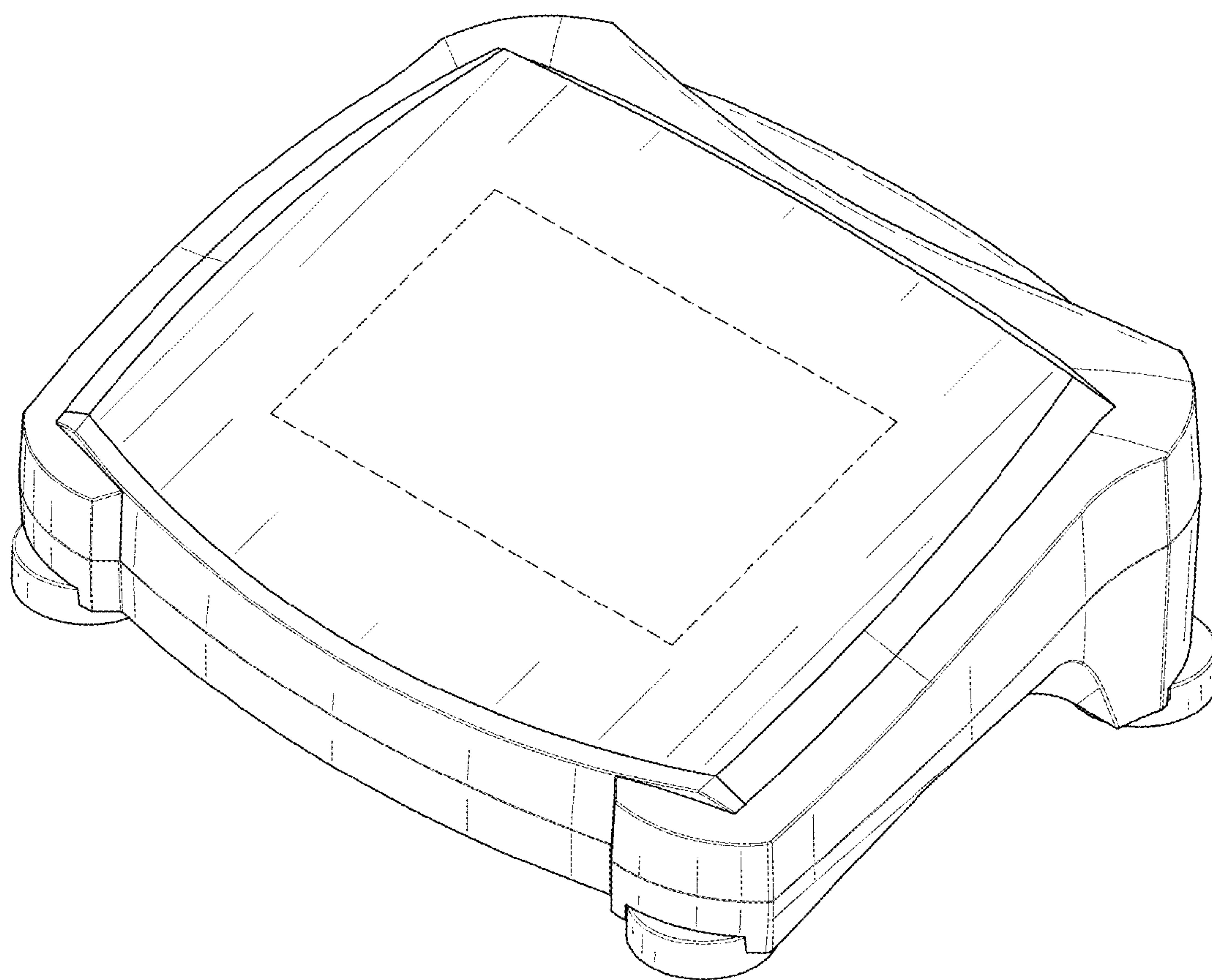


FIG. 1

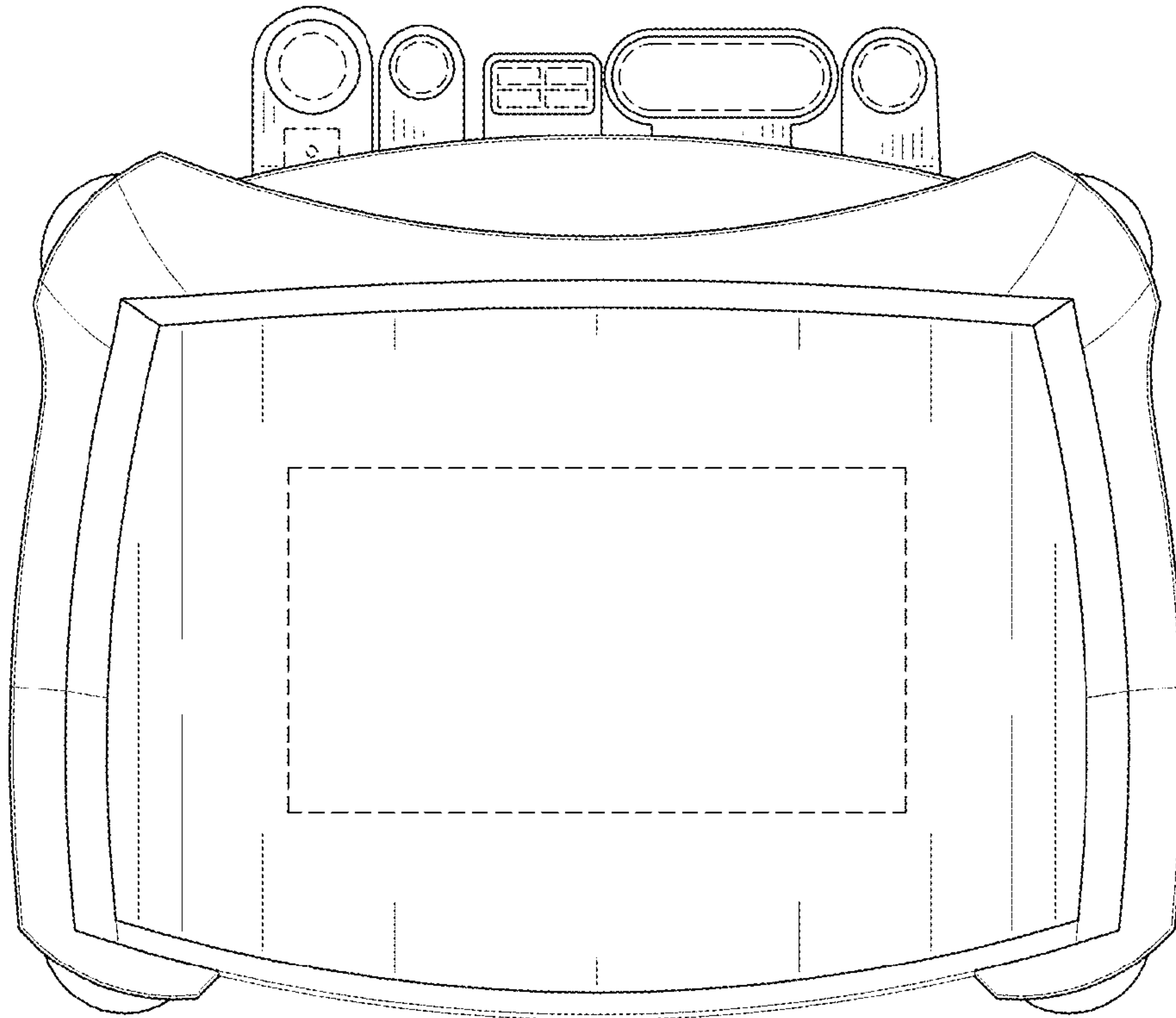


FIG. 2

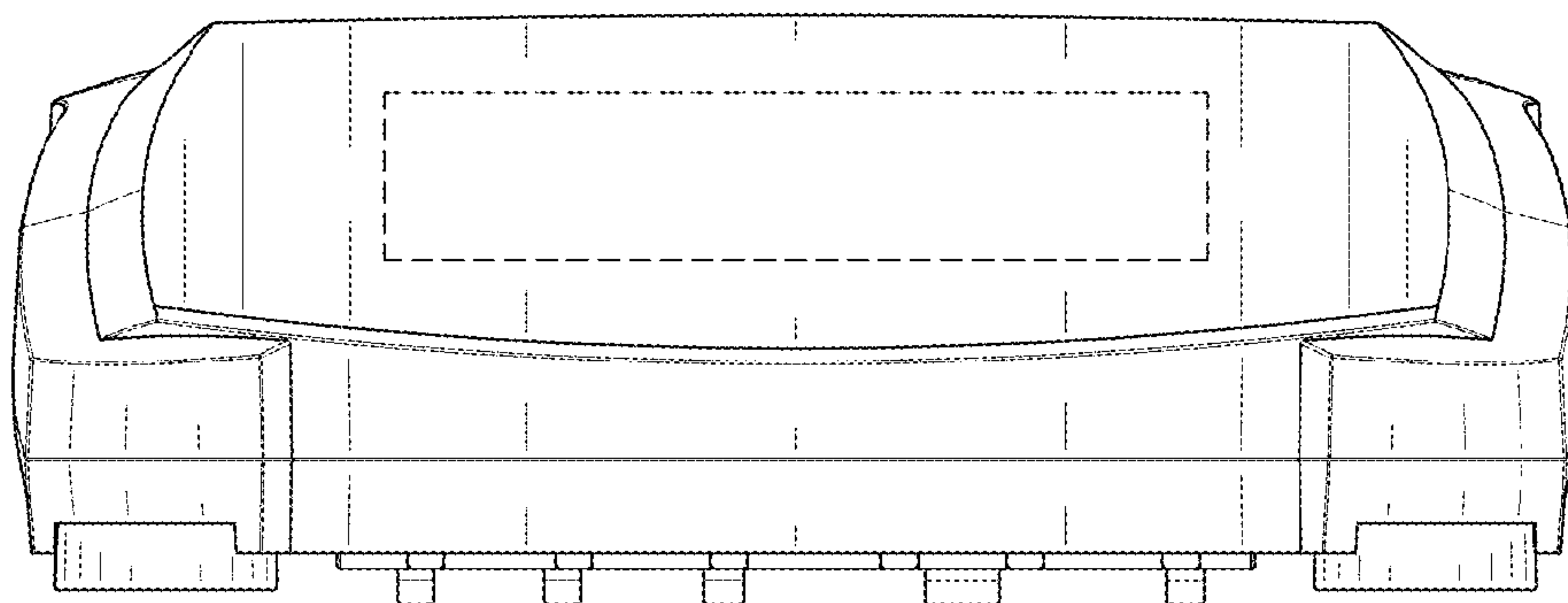


FIG. 3

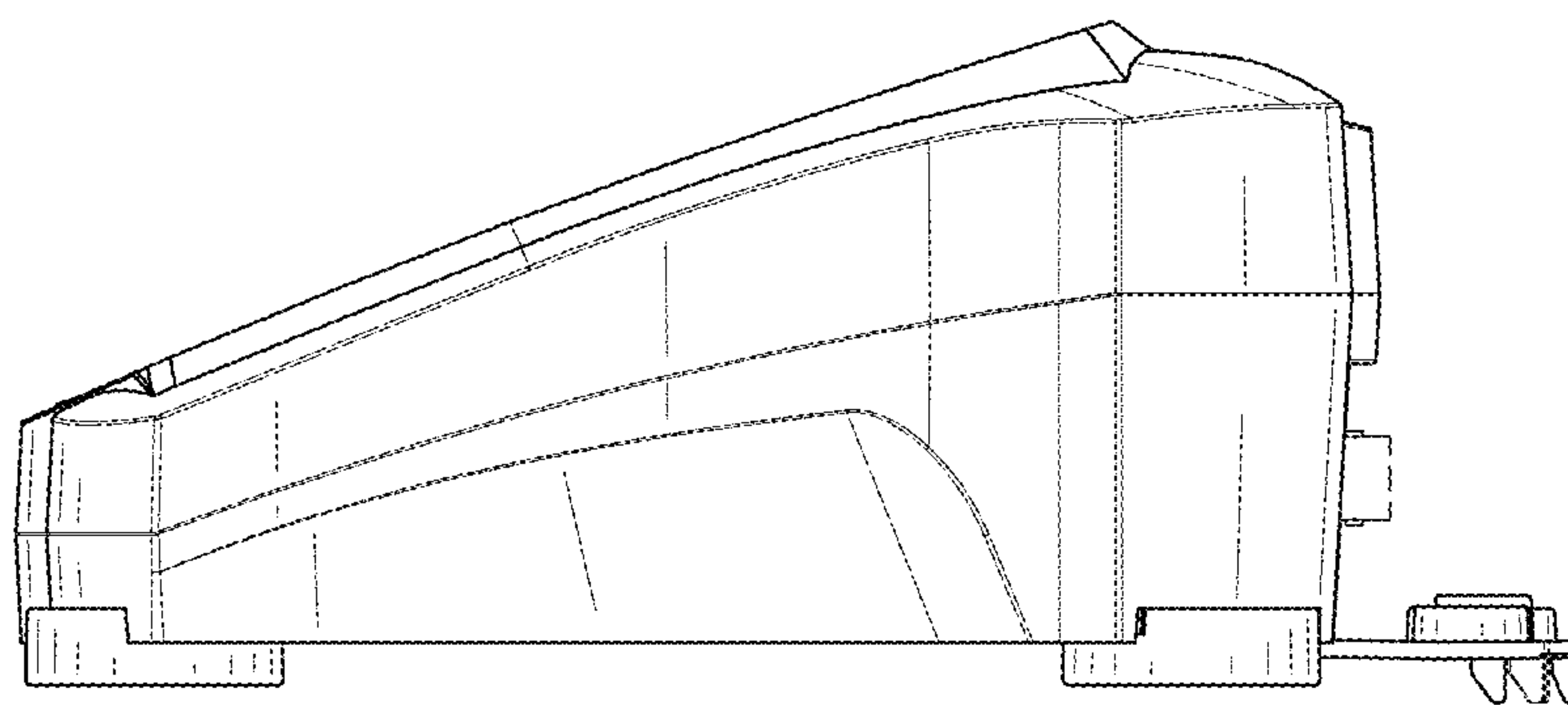


FIG. 4

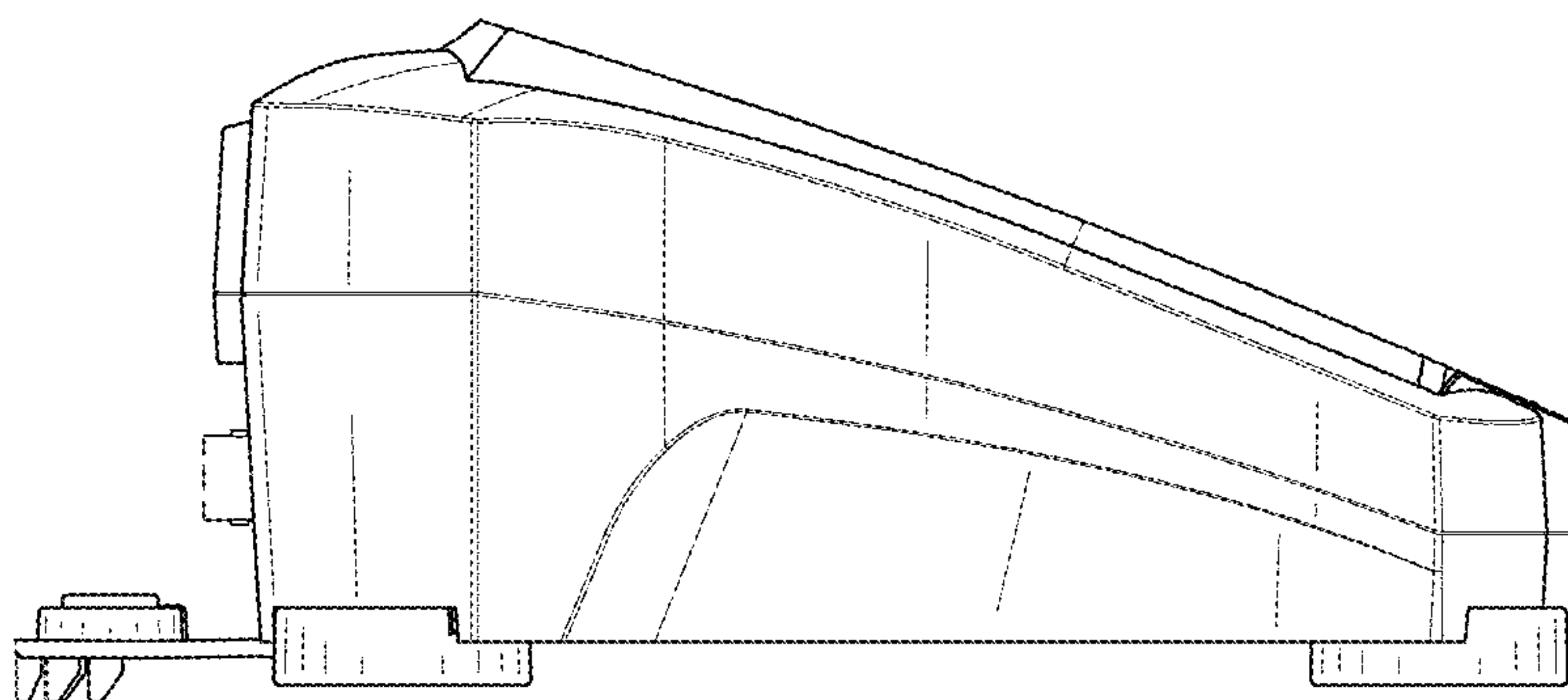


FIG. 5

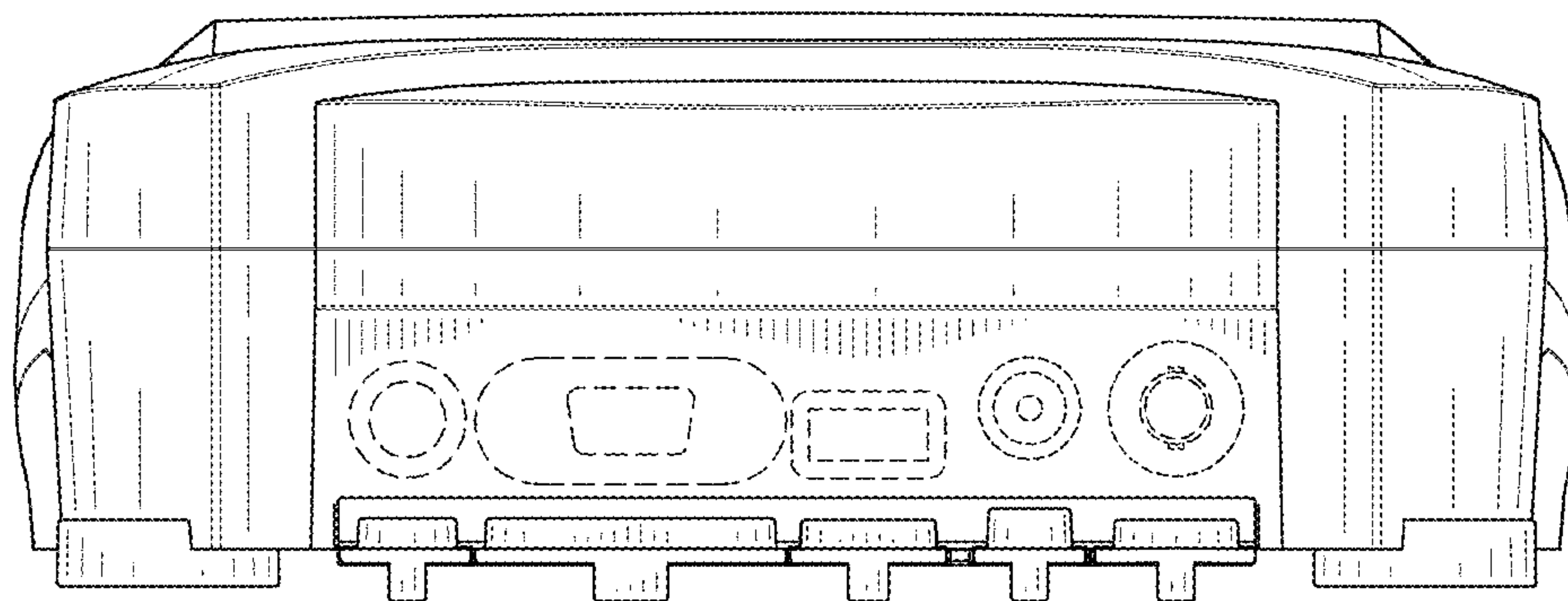


FIG. 6

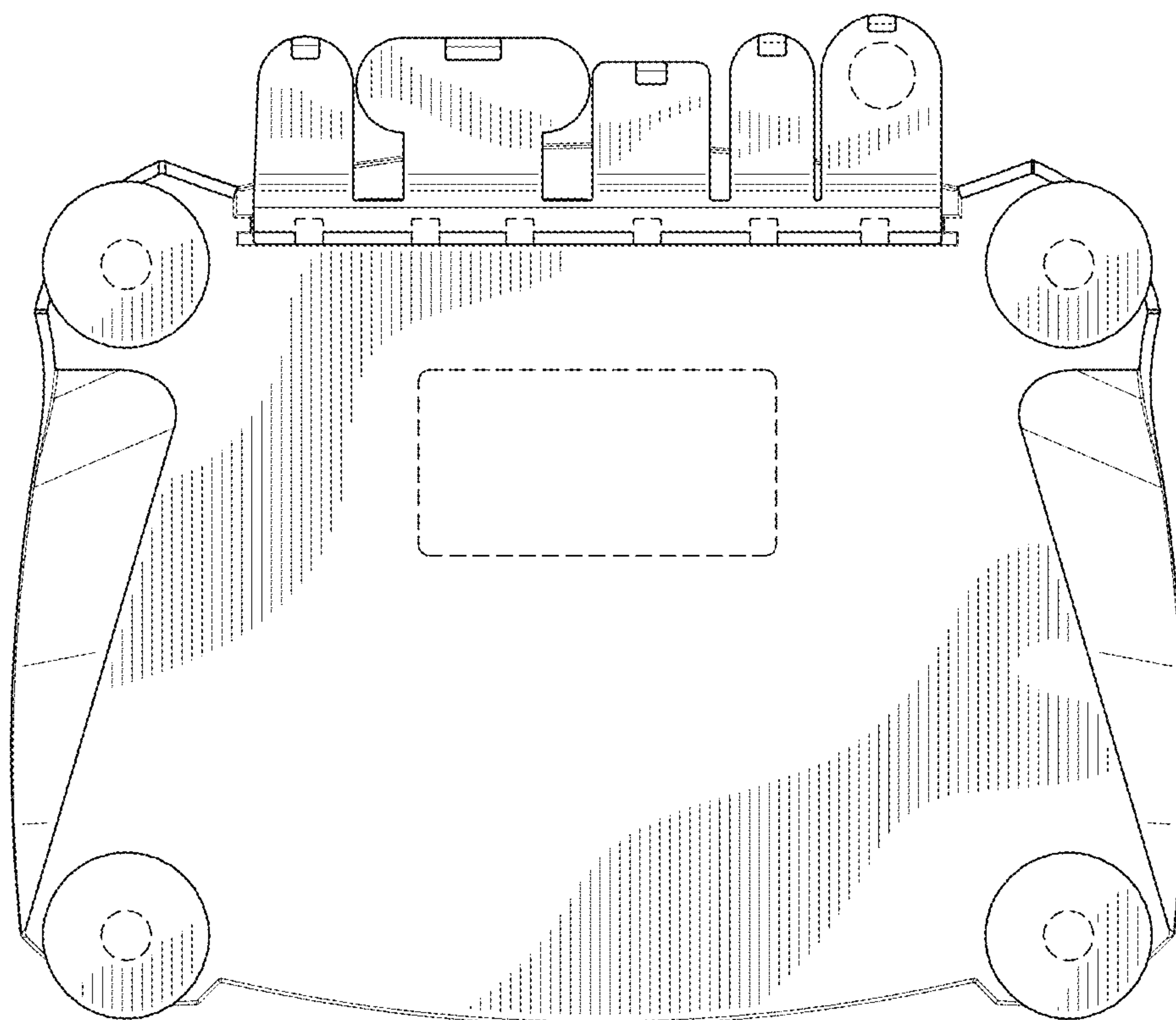


FIG. 7

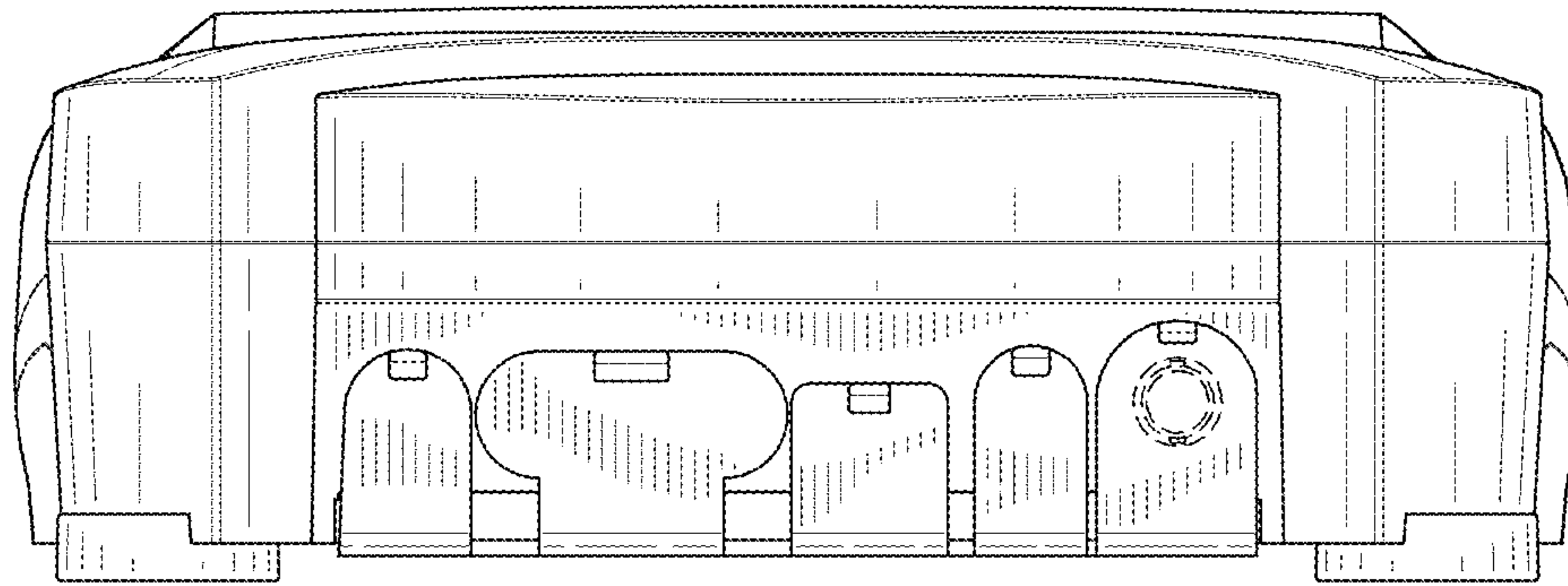


FIG. 8

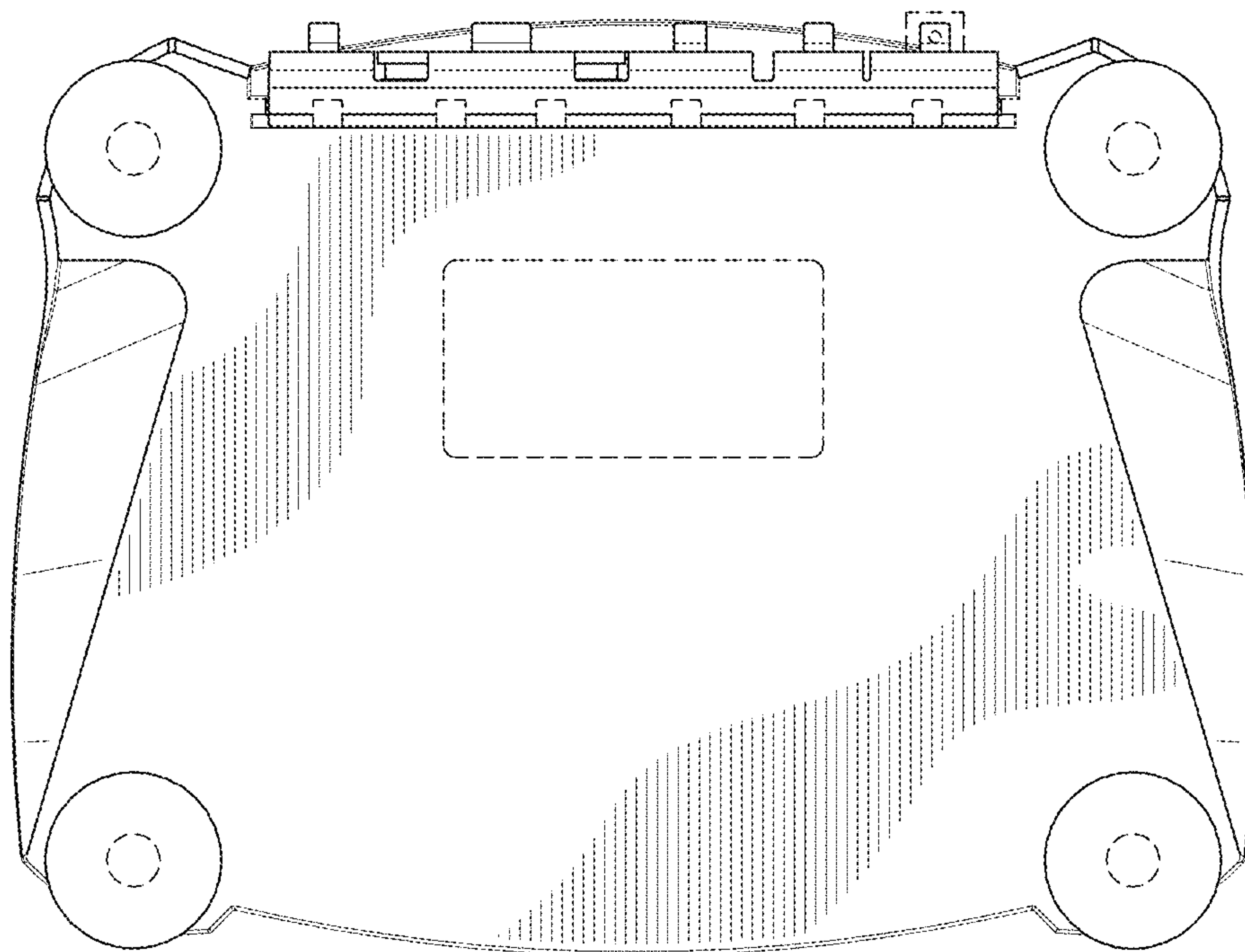


FIG. 9