



US00D748813S

(12) **United States Design Patent**  
**Ishiguro et al.**

(10) **Patent No.:** **US D748,813 S**

(45) **Date of Patent:** **\*\* Feb. 2, 2016**

(54) **SAMPLE PREPARATION CONTAINER**

(56) **References Cited**

(71) Applicant: **Hitachi High-Technologies Corporation, Tokyo (JP)**

U.S. PATENT DOCUMENTS

(72) Inventors: **Koji Ishiguro, Ibaraki (JP); Hidetoshi Morokuma, Ibaraki (JP); Yukihiro Ogawa, Osaka (JP); Tsuyoshi Somekawa, Osaka (JP)**

4,060,911	A	*	12/1977	Weiler	.....	B65B 31/00 422/1
D249,708	S	*	9/1978	Smith	.....	D24/224
D266,358	S	*	9/1982	Kerns	.....	D9/556
D266,391	S	*	10/1982	Jordon	.....	D7/608
D311,876	S	*	11/1990	Kiegami	.....	D10/81
D332,144	S	*	12/1992	Mann	.....	D24/224
D340,836	S	*	11/1993	Cautereels	.....	D7/300.1
D363,642	S	*	10/1995	Goto	.....	D7/511
D372,102	S	*	7/1996	Peacock	.....	D24/217
D411,307	S	*	6/1999	Oakes	.....	D24/216
D417,408	S	*	12/1999	Rigoli	.....	D10/78
D447,231	S	*	8/2001	Chen Fu	.....	D24/121
D463,864	S	*	10/2002	Treadwell	.....	D24/216
D467,811	S	*	12/2002	Slater	.....	D9/529
D495,607	S	*	9/2004	Bezek	.....	D9/429
D498,584	S	*	11/2004	DiMarchi	.....	D3/203.2
D499,336	S	*	12/2004	Flecheux	.....	D9/539
D510,769	S	*	10/2005	Bublewitz	.....	D24/224
D522,145	S	*	5/2006	Best	.....	D10/81

(73) Assignee: **HITACHI HIGH-TECHNOLOGIES CORPORATION, Tokyo (JP)**

(\*\*) Term: **14 Years**

(21) Appl. No.: **29/468,113**

(22) Filed: **Sep. 26, 2013**

(30) **Foreign Application Priority Data**

Mar. 26, 2013 (JP) ..... 2013-006701

(51) **LOC (10) Cl.** ..... **24-02**

(52) **U.S. Cl.**  
USPC ..... **D24/224**

(58) **Field of Classification Search**  
USPC ..... D24/216-232, 121; D3/203.1, 203.2;  
D10/81, 78; 229/4.5; D9/429, 504,  
D9/516, 529, 520-521, 544-446, 539, 502,  
D9/556, 558; 422/500, 547, 554, 556, 528,  
422/501, 1, 400; 206/365; 215/224, 305,  
215/306, 365, 230, 204; 435/288.1, 288.2,  
435/304.1, 304.2, 287.7; 220/259.2,  
220/560.04; 250/506.1; D7/608, 300.1, 511  
CPC .... A61M 5/1785; A61M 5/002; B65B 31/00;  
B01L 3/50825; B01L 3/0275; B01L 3/08;  
B01L 3/502738; G21F 5/018; G21F 5/005;  
B65D 3/22; B65D 50/061; B65D 51/243;  
A61L 2/04; G01N 35/1002; B01J 19/0093;  
A45D 40/221

See application file for complete search history.

(Continued)

*Primary Examiner* — T. Chase Nelson

*Assistant Examiner* — Mark Cavanna

(74) *Attorney, Agent, or Firm* — Baker Botts L.L.P.

(57) **CLAIM**

The ornamental design for a sample preparation container, as shown.

**DESCRIPTION**

FIG. 1 is a perspective view of a sample preparation container showing our new design;

FIG. 2 is a front elevational view thereof;

FIG. 3 is a rear elevational view thereof;

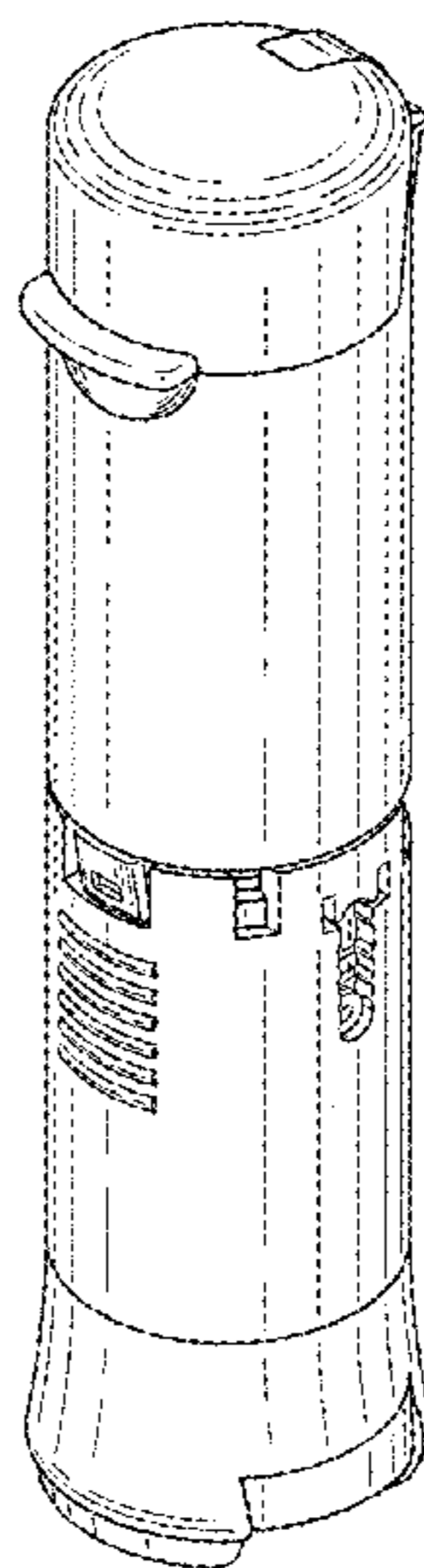
FIG. 4 is a left side elevational view thereof;

FIG. 5 is a right side elevational view thereof;

FIG. 6 is a top plan view thereof; and,

FIG. 7 is a bottom plan view thereof.

**1 Claim, 2 Drawing Sheets**



(56)

**References Cited**

U.S. PATENT DOCUMENTS

7,165,672 B2 *	1/2007	Fago	.....	A61M 5/1785	D631,169 S *	1/2011	Cheeley	.....	D24/224
				250/506.1	D633,800 S *	3/2011	Haywood	.....	D9/502
7,268,359 B2 *	9/2007	Fu	.....	G21F 5/018	D640,796 S *	6/2011	Wilkinson	.....	D24/224
				206/365	D641,088 S *	7/2011	Giraud	.....	D24/224
D559,396 S *	1/2008	Dave	.....	D24/121	D647,211 S *	10/2011	Belfance	.....	D24/224
D593,811 S *	6/2009	Carreno	.....	D9/504	D667,960 S *	9/2012	Wilkinson	.....	D24/224
D599,655 S *	9/2009	Friebe	.....	D9/420	D732,684 S *	6/2015	Ooi	.....	D24/224
D614,033 S *	4/2010	Hassamanci	.....	D9/504	2008/0226506 A1 *	9/2008	Ohashi	.....	B01L 3/50825
D618,362 S *	6/2010	Giraud	.....	D24/224					422/400
					2014/0158695 A1 *	6/2014	Jimenez-Rios	.....	A01N 1/0268
									220/560.04

\* cited by examiner

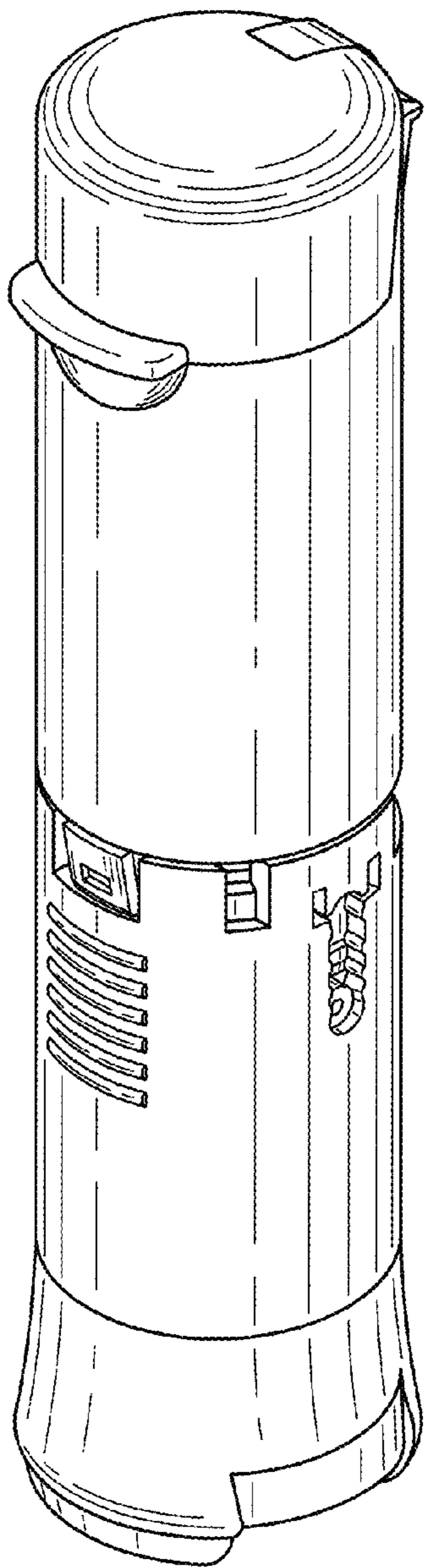


FIG. 1

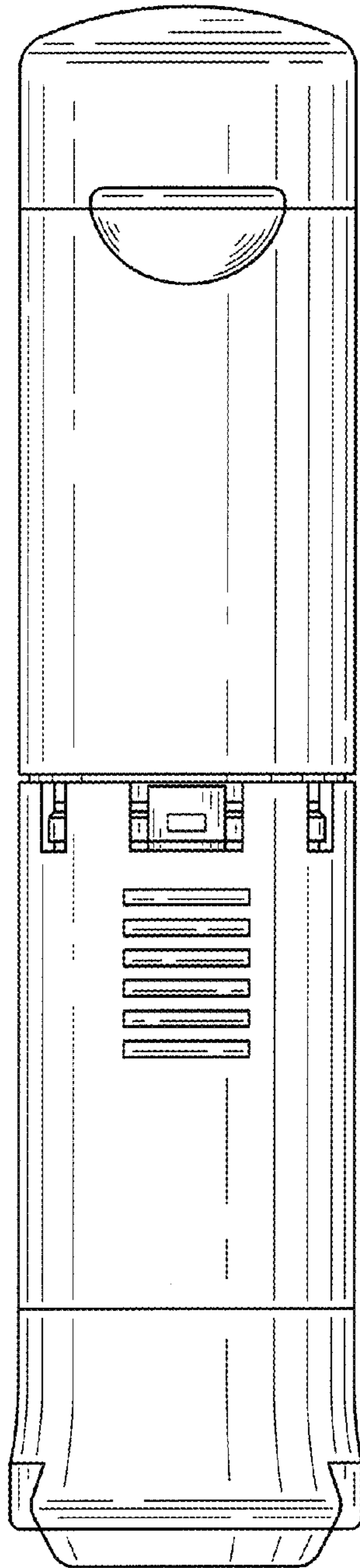


FIG. 2

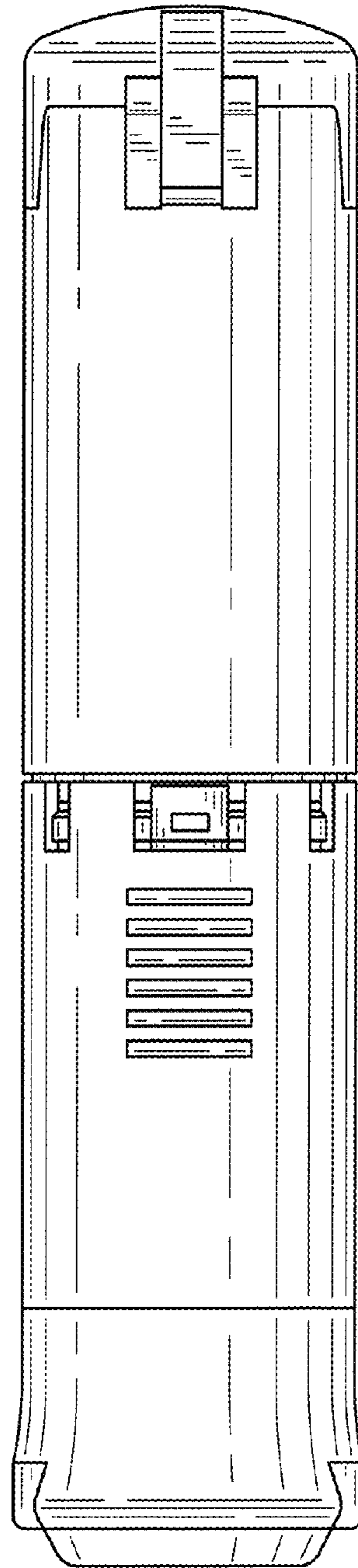


FIG. 3

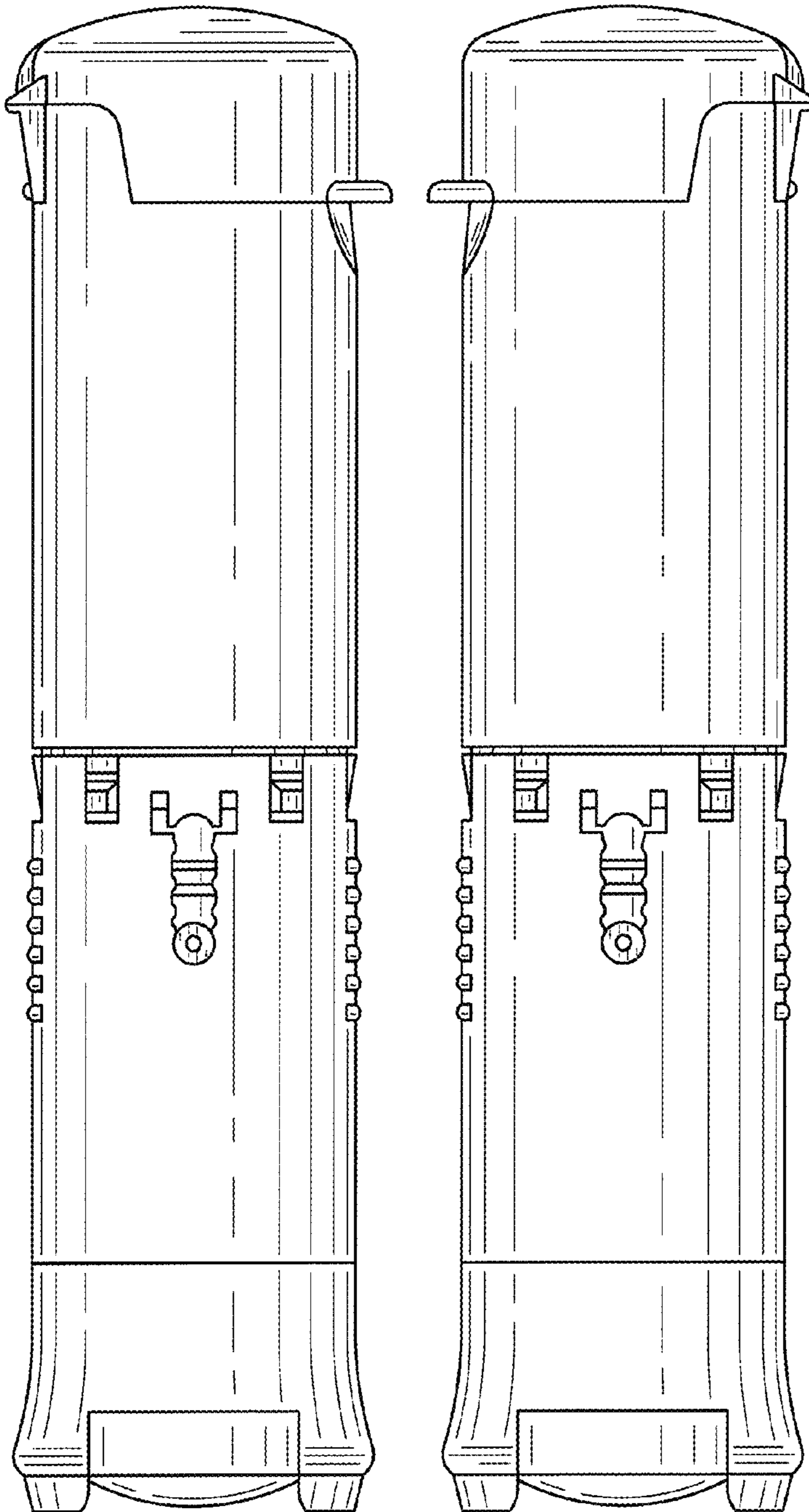


FIG. 4

FIG. 5

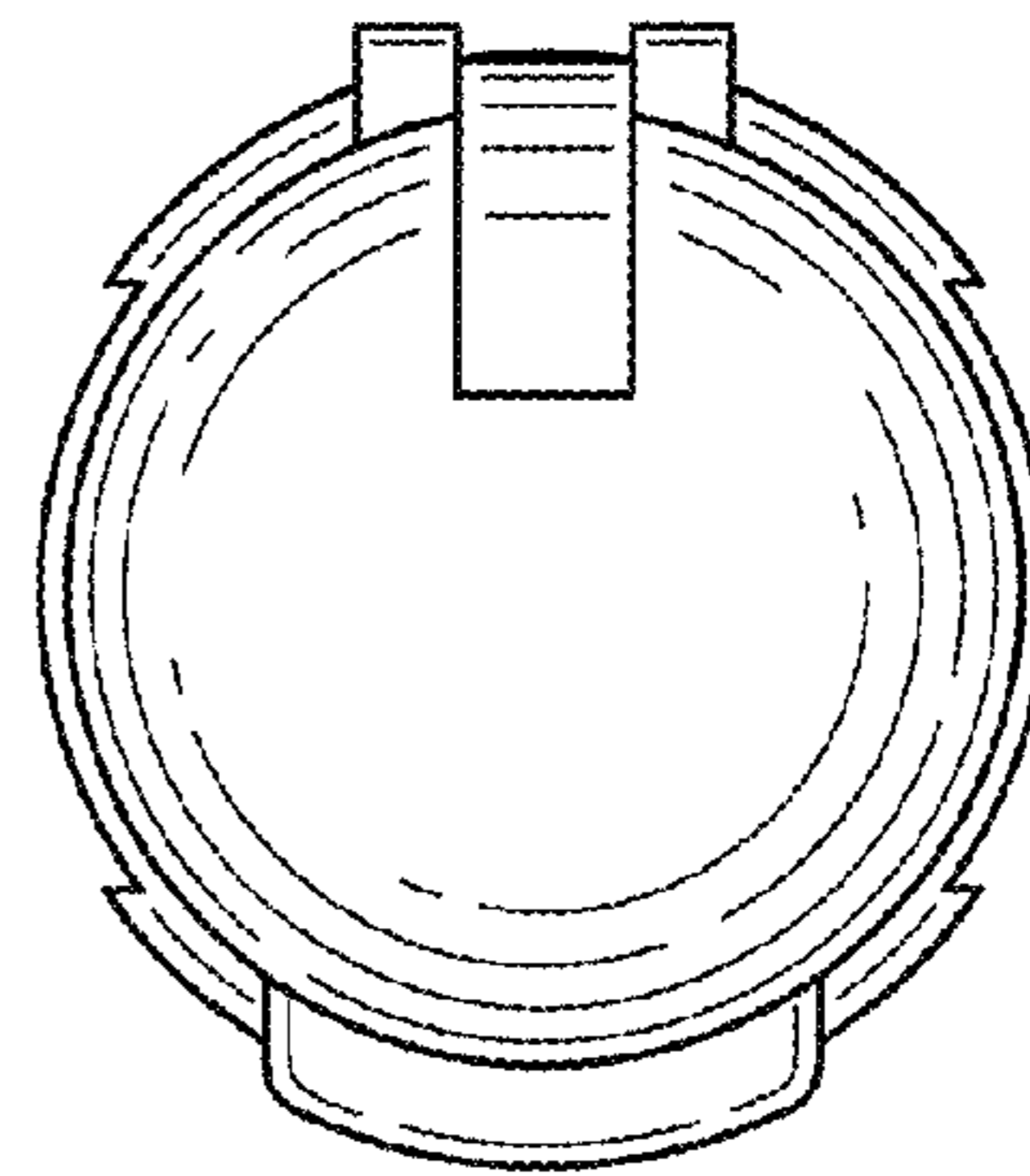


FIG. 6

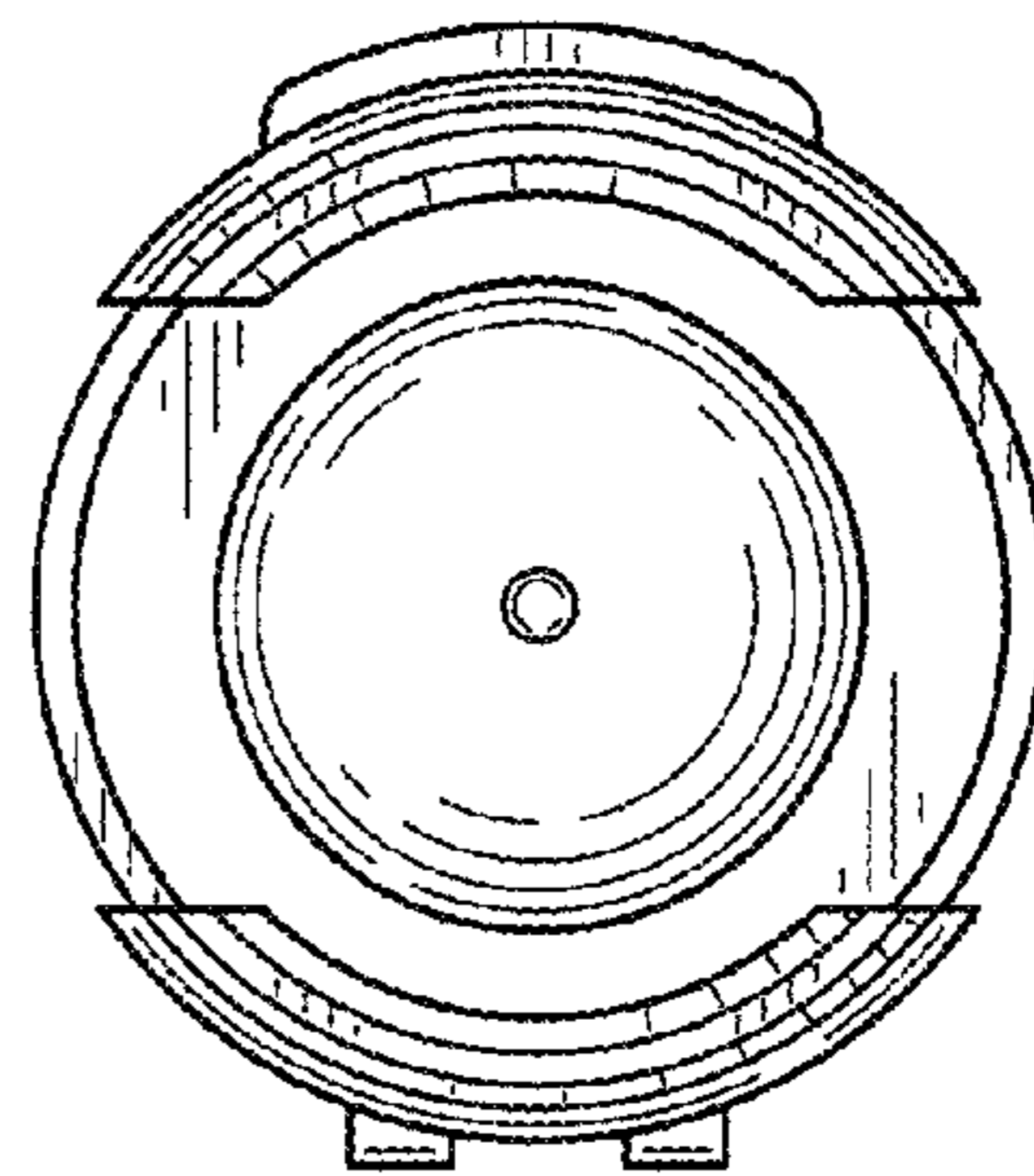


FIG. 7