



US00D748811S

(12) **United States Design Patent**
Lee

(10) **Patent No.:** **US D748,811 S**
(45) **Date of Patent:** **** Feb. 2, 2016**

- (54) **BABY PACIFIER**
- (71) Applicant: **Putti Atti Co., Ltd.**, Bucheon-si (KR)
- (72) Inventor: **Yong Kwon Lee**, Seoul (KR)
- (73) Assignee: **PUTTI ATTI CO., LTD.** (KR)
- (**) Term: **14 Years**
- (21) Appl. No.: **29/506,718**
- (22) Filed: **Oct. 20, 2014**
- (30) **Foreign Application Priority Data**

- Jun. 2, 2014 (KR) 30-2014-0027066
- (51) **LOC (10) Cl.** **24-04**
- (52) **U.S. Cl.**
USPC **D24/194**
- (58) **Field of Classification Search**
USPC D24/193, 194, 195, 196, 197, 198, 199,
D24/214; D9/614, 615, 620, 625; D30/160;
606/234, 235, 236; D29/113, 118, 123;
D2/614, 622; 215/11.1, 11.4, 11.6;
D1/101, 106, 125, 199; D21/414, 490,
D21/588, 625, 627
CPC A61J 17/005
See application file for complete search history.

(56) **References Cited**

U.S. PATENT DOCUMENTS

- 5,275,619 A * 1/1994 Engebretson A61J 17/00
606/234
- D413,387 S * 8/1999 Fitzpatrick D24/194
- D602,299 S * 10/2009 Heroux D6/601
- D607,116 S * 12/2009 Morganstern D24/211
- D631,210 S * 1/2011 Hurst D30/144
- D691,277 S * 10/2013 McCarty D24/194
- D727,513 S * 4/2015 Tu D24/199
- 2005/0216060 A1 * 9/2005 McCarty A61J 17/00
606/236
- 2009/0248074 A1 * 10/2009 Kliegman A61J 17/00
606/236
- 2011/0218569 A1 * 9/2011 Tesini A61J 17/00
606/236
- 2012/0265244 A1 * 10/2012 Valderrama A61L 2/07
606/234

- 2014/0221917 A1 * 8/2014 Oates, II A61J 17/00
604/79
- 2015/0051646 A1 * 2/2015 Chan A61J 17/00
606/236

OTHER PUBLICATIONS

“NUK Orthostar Soft Orthodontic Pacifiers”. Found online Aug. 31, 2015 at amazon.com. Page dated Mar. 20, 2012. Retrieved from http://www.amazon.com/NUK-Orthostar-Orthodontic-Pacifiers-silicone/dp-B006VJM7AA/ref=cm_cr_pr_product_top?ie=UTF8.*

“The First Years Newborn Pacifiers”. Found online Aug. 24, 2015 at amazon.com. Page dated Dec. 2, 2006. Retrieved from http://www.amazon.com/The-First-Years-Newborn-Pacifiers/dp/B000LM2R44/ref=cm_cr_pr_product_top?ie=UTF8.*

“Smelly Pacifier?”. Found online Aug. 31, 2015 at babygaga.com. Page dated Aug. 19, 2009. Retrieved from http://www.amazon.com/The-First-Years-Newborn-Pacifiers/dp/B000LM2R44/ref=cm_cr_pr_product_top?ie=UTF8.*

* cited by examiner

Primary Examiner — Robert M Spear
Assistant Examiner — Kendra L Hamilton
 (74) *Attorney, Agent, or Firm* — Cantor Colburn LLP

(57) **CLAIM**

The ornamental design for a baby pacifier, as shown and described.

DESCRIPTION

FIG. 1 is a top front perspective view of a baby pacifier showing my new design;
 FIG. 2 is a front elevational view thereof;
 FIG. 3 is a rear elevational view thereof;
 FIG. 4 is a left side elevational view thereof;
 FIG. 5 is a right side elevational view thereof;
 FIG. 6 is a top plan view thereof;
 FIG. 7 is a bottom plan view thereof; and,
 FIG. 8 is a bottom front perspective view thereof.
 The broken lines in the drawing views are included for the purpose of illustrating the unclaimed portions of the baby pacifier and form no part of the claimed design.

1 Claim, 8 Drawing Sheets

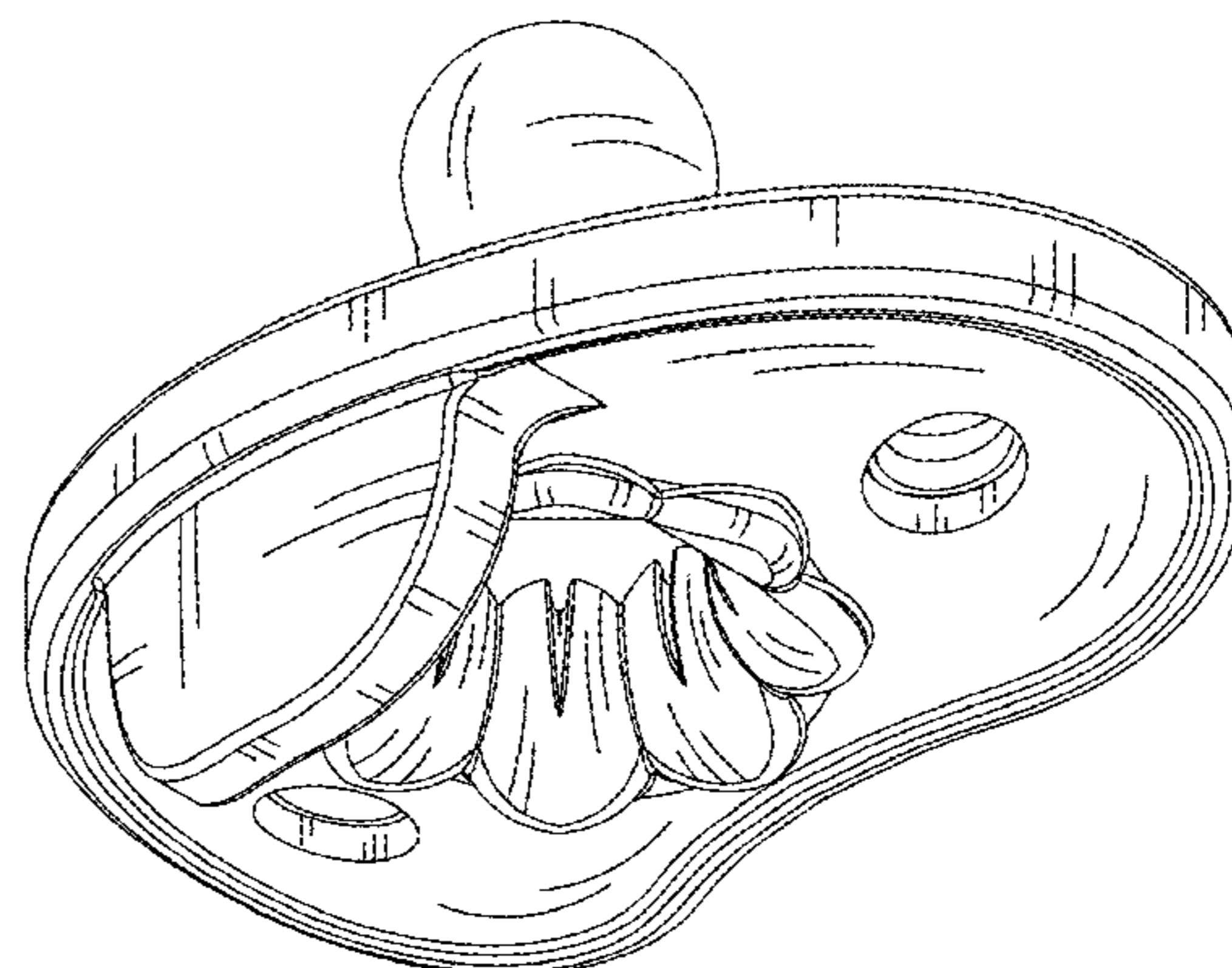
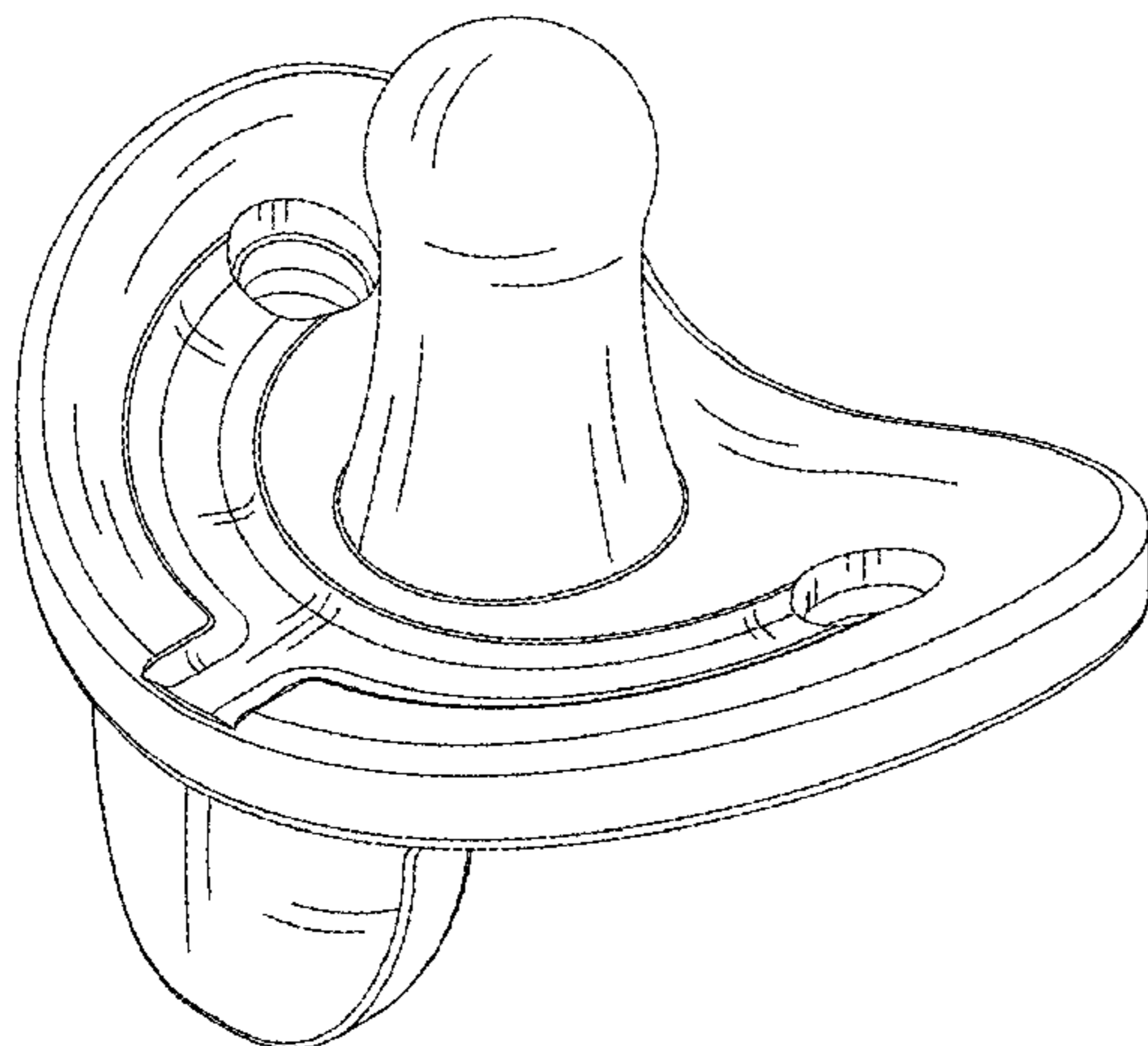


FIG. 1

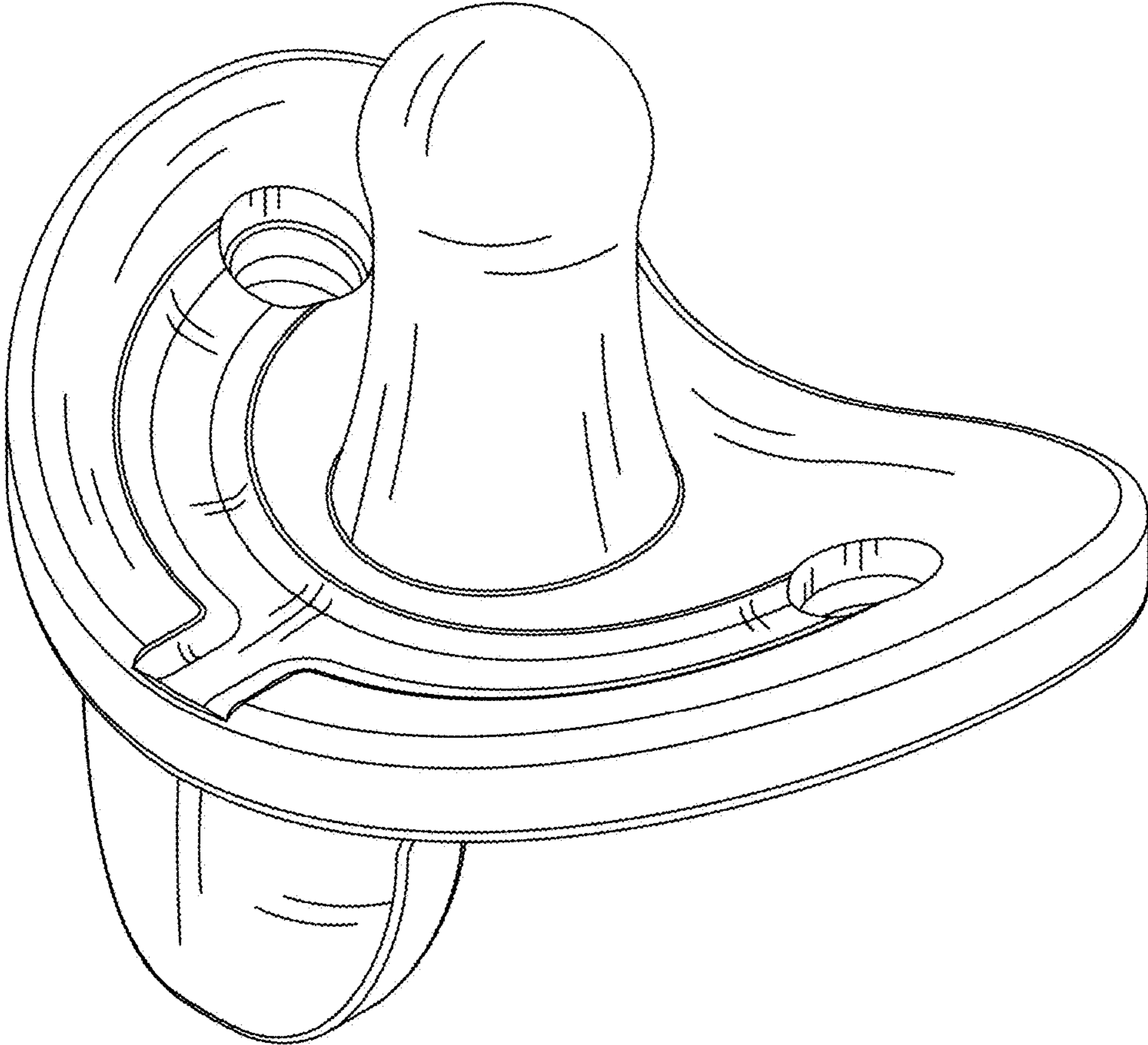


FIG. 2

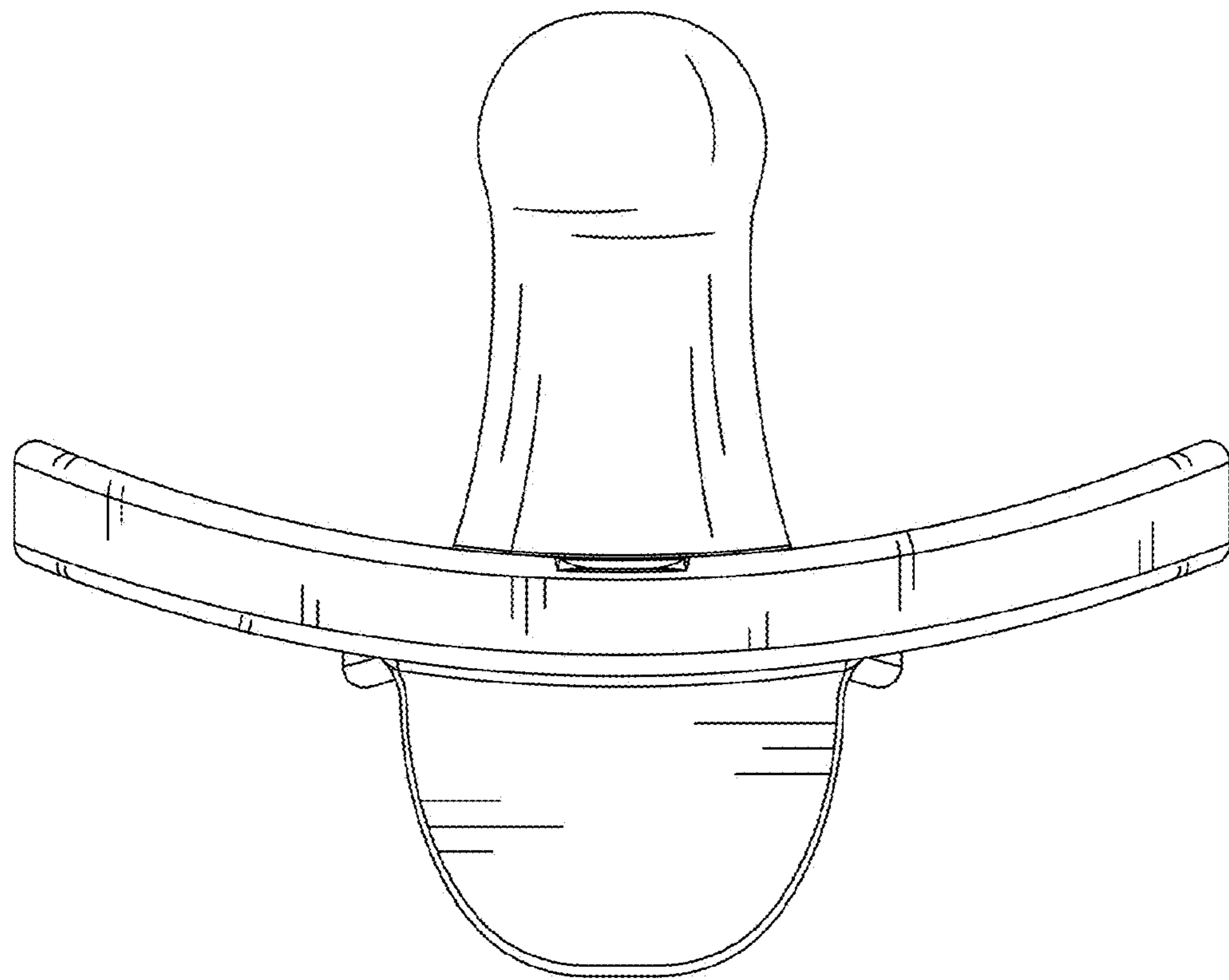


FIG. 3

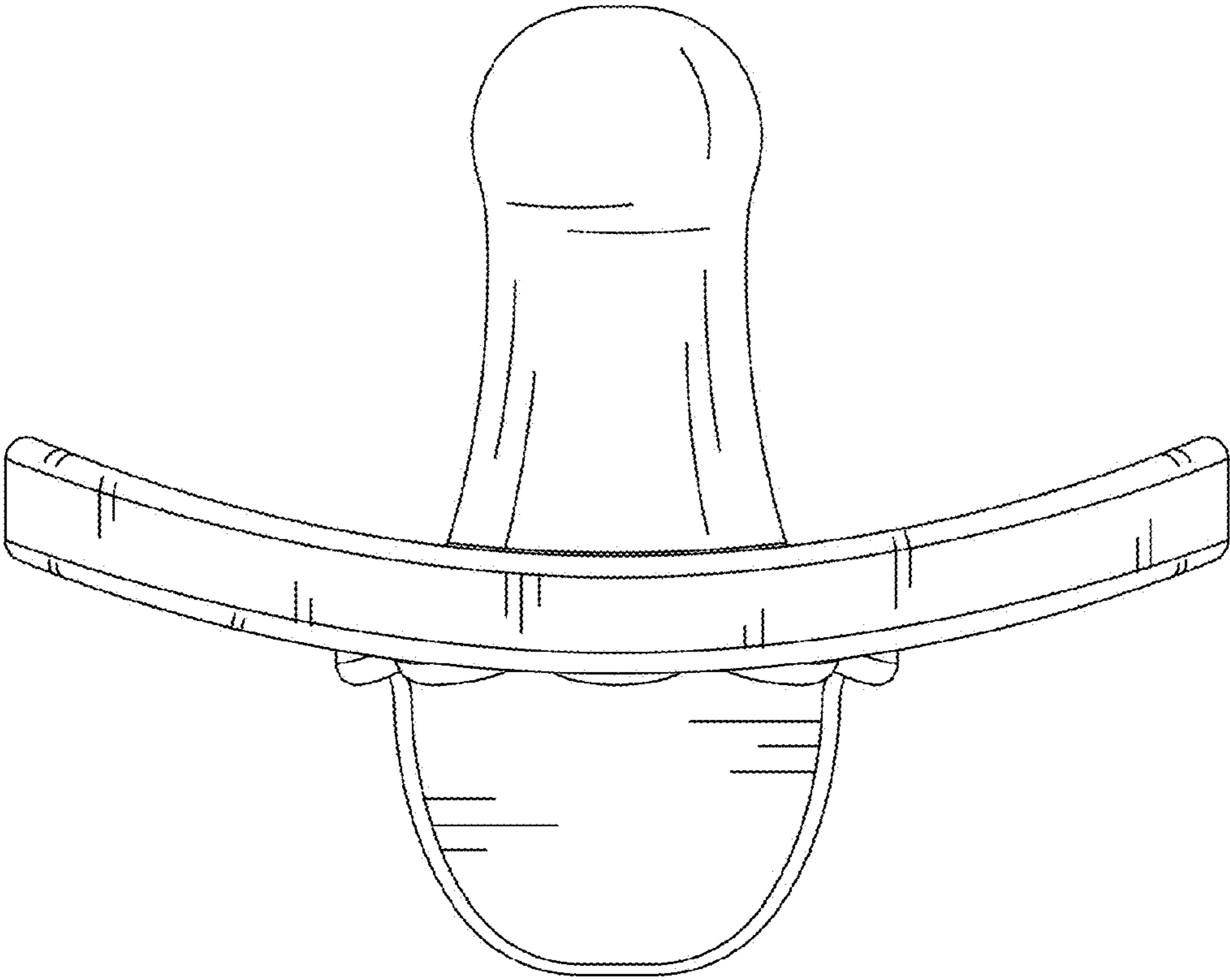


FIG. 4

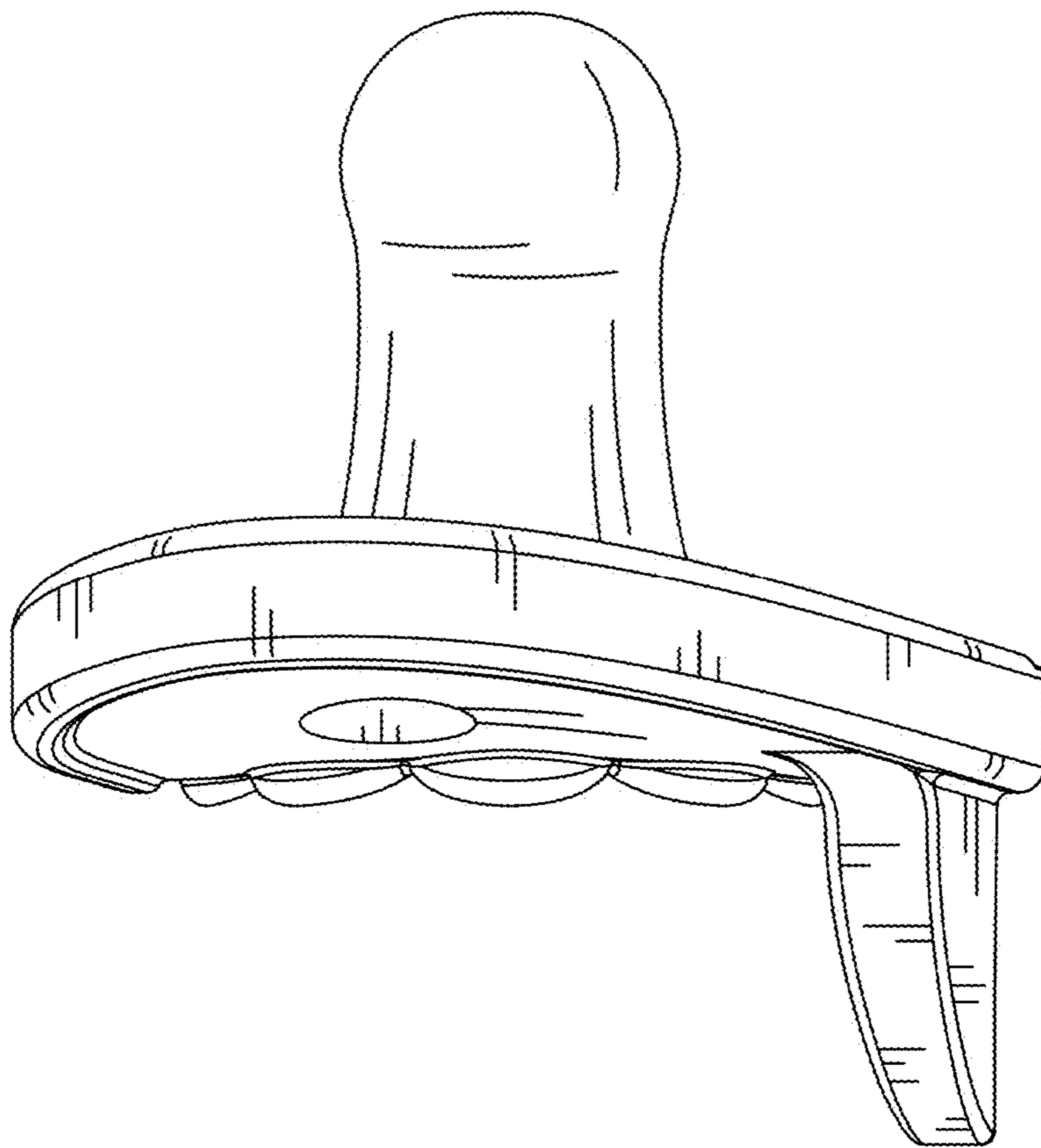


FIG. 5

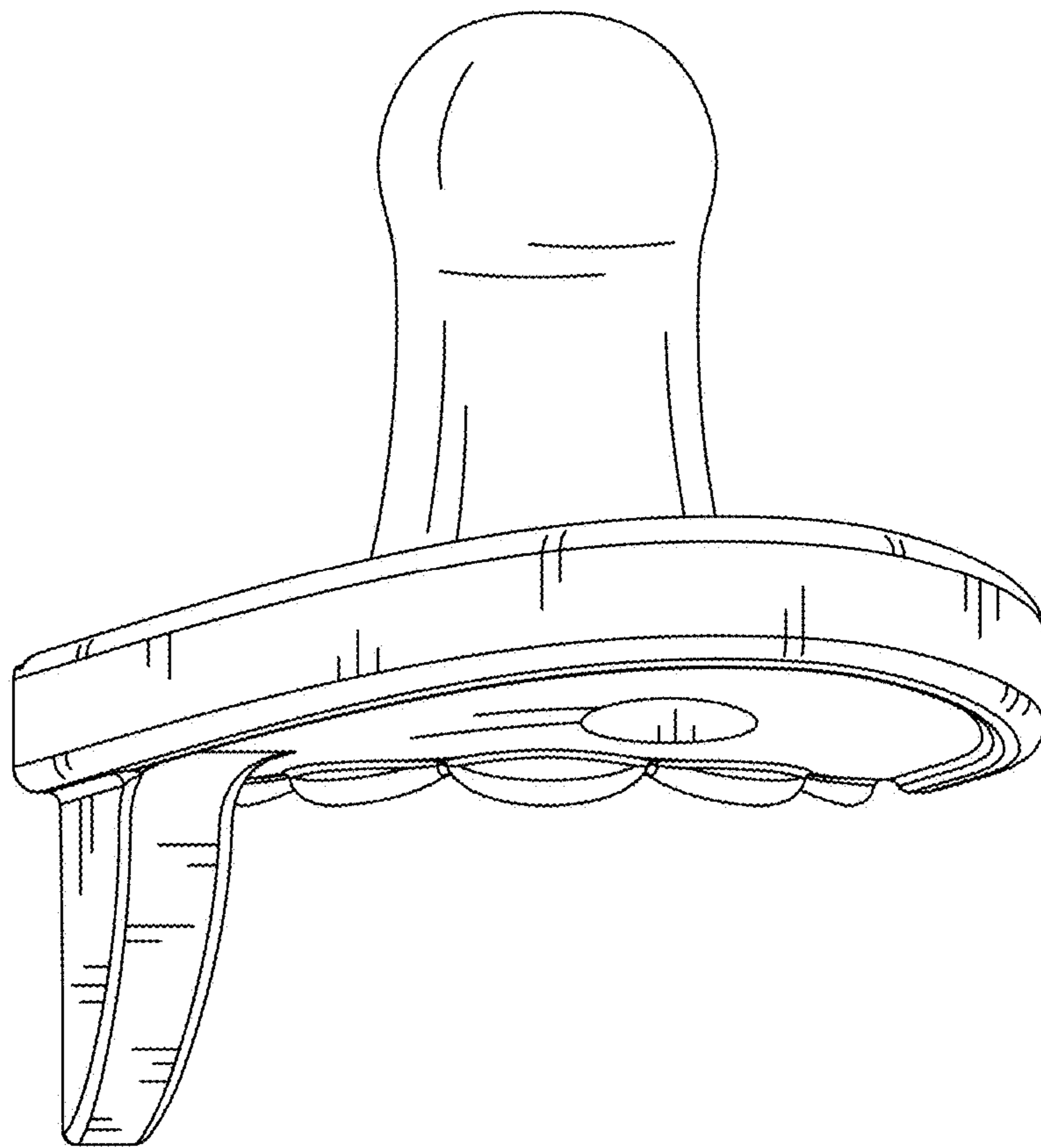


FIG. 6

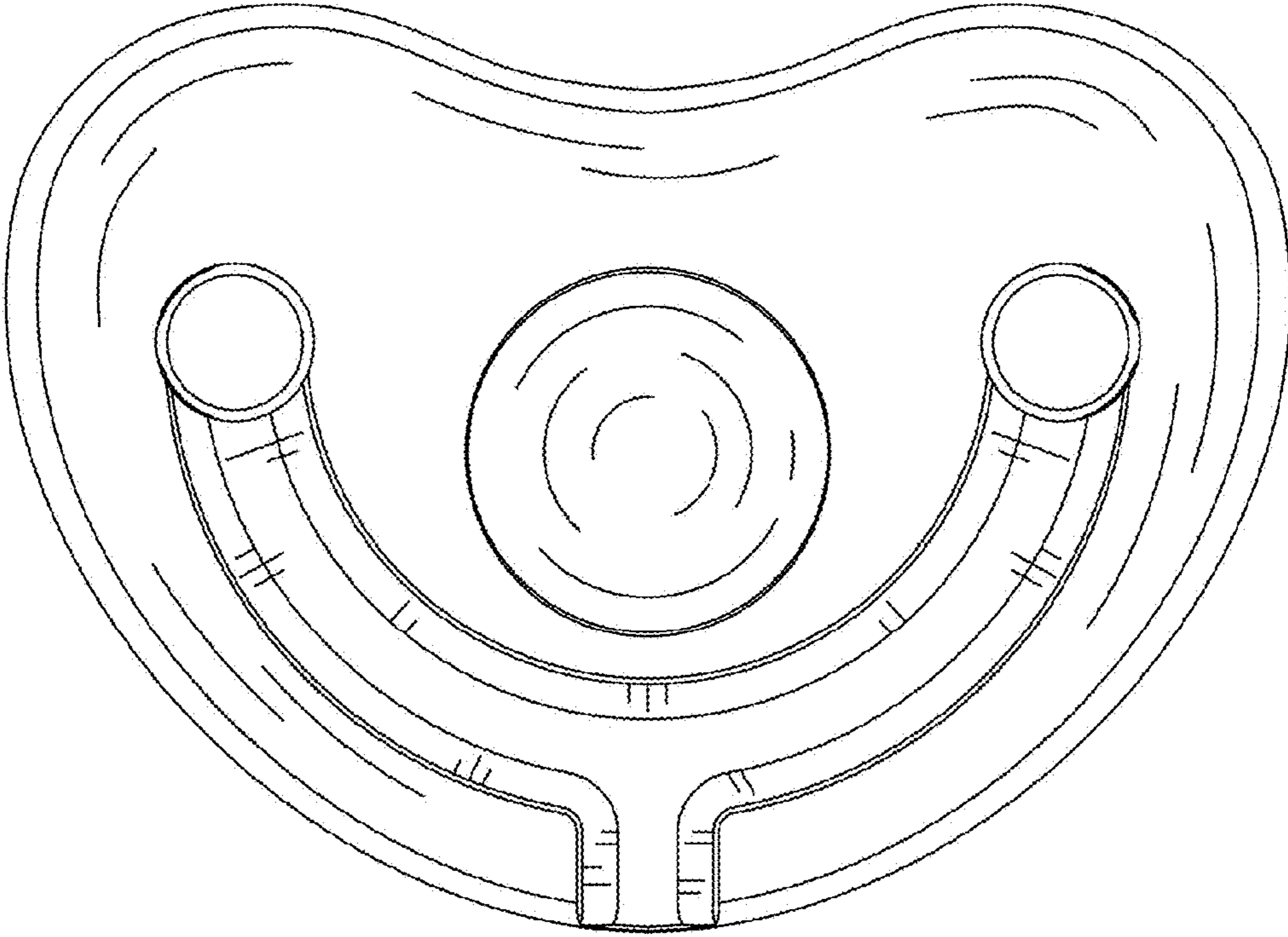


FIG. 7

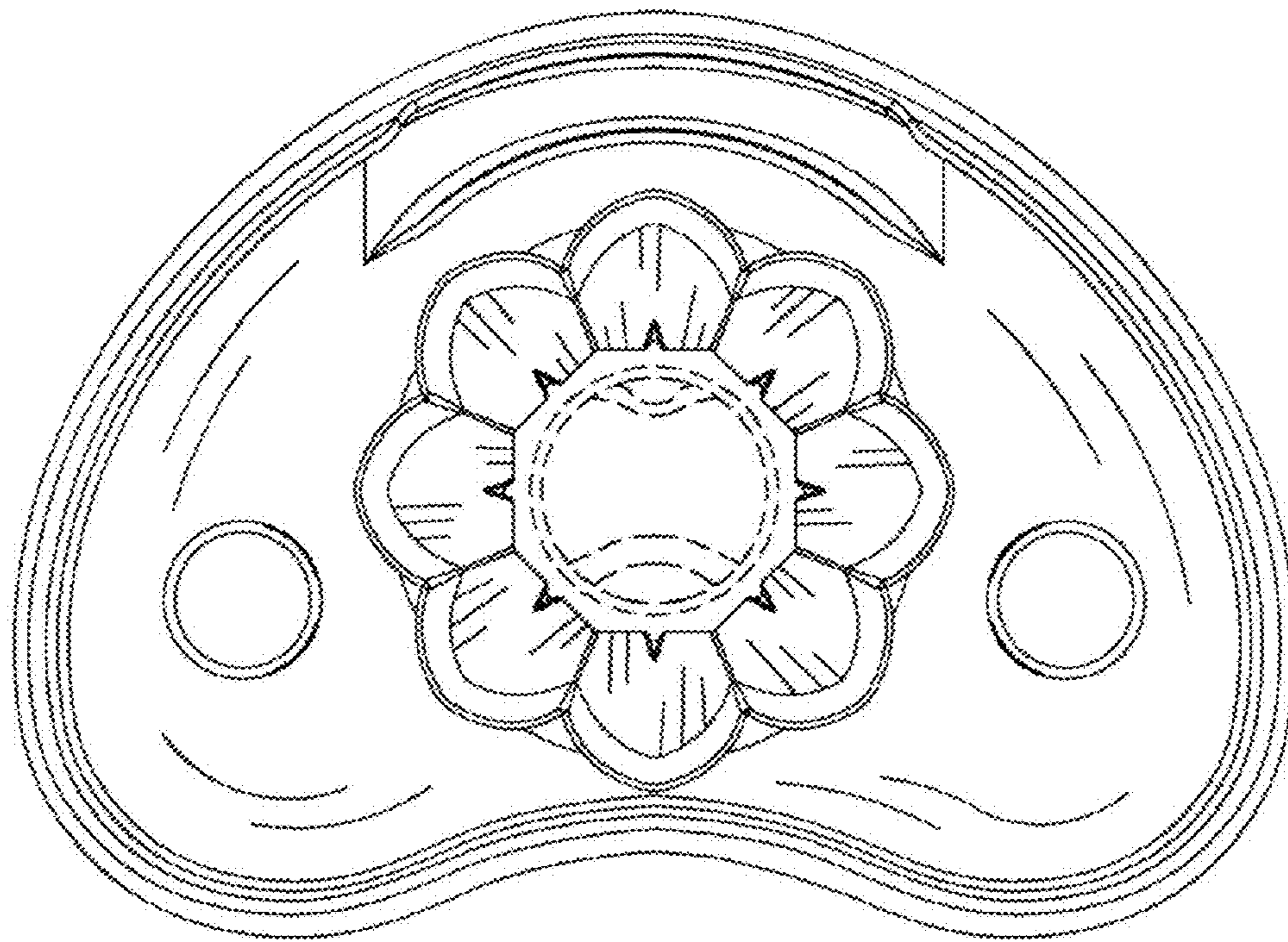


FIG. 8

