



US00D748808S

(12) **United States Design Patent**
Matsumura et al.

(10) **Patent No.:** **US D748,808 S**
(45) **Date of Patent:** **** Feb. 2, 2016**

(54) **ULTRASONIC PROBE**
(71) Applicant: **GE MEDICAL SYSTEMS GLOBAL TECHNOLOGY COMPANY, LLC**,
Waukesha, WI (US)
(72) Inventors: **Kiyoshi Matsumura**, Tokyo (JP); **Koji Yanagihara**, Tokyo (JP)
(73) Assignee: **General Electric Company**,
Schenectady, NY (US)

D701,608 S 3/2014 Baba
D701,965 S 4/2014 Matsumura et al.
D703,330 S 4/2014 Saeki
D703,331 S 4/2014 Kitayama
D703,332 S 4/2014 Saeki
D703,333 S 4/2014 Saeki
D704,341 S 5/2014 Ryu et al.
D704,844 S 5/2014 Saeki
D728,802 S * 5/2015 Matsumura D24/187
2006/0191345 A1 * 8/2006 Hasegawa A61B 8/12
73/649
2008/0228082 A1 * 9/2008 Scheirer G10K 11/02
600/459

(**) Term: **14 Years**

* cited by examiner

(21) Appl. No.: **29/497,962**

Primary Examiner — Anhdao Doan

(22) Filed: **Jul. 30, 2014**

(57) **CLAIM**

The ornamental design for an ultrasonic probe, as shown and described.

(30) **Foreign Application Priority Data**

DESCRIPTION

Feb. 3, 2014 (JP) 2014002055

(51) **LOC (10) Cl.** **24-01**

(52) **U.S. Cl.**
USPC **D24/187**

(58) **Field of Classification Search**
USPC D24/133, 137, 158, 186, 187; D10/78;
600/407, 446, 439, 461; 378/98.7,
378/98.8, 189
CPC A61B 8/445; A61B 8/4455; A61B 8/4461
See application file for complete search history.

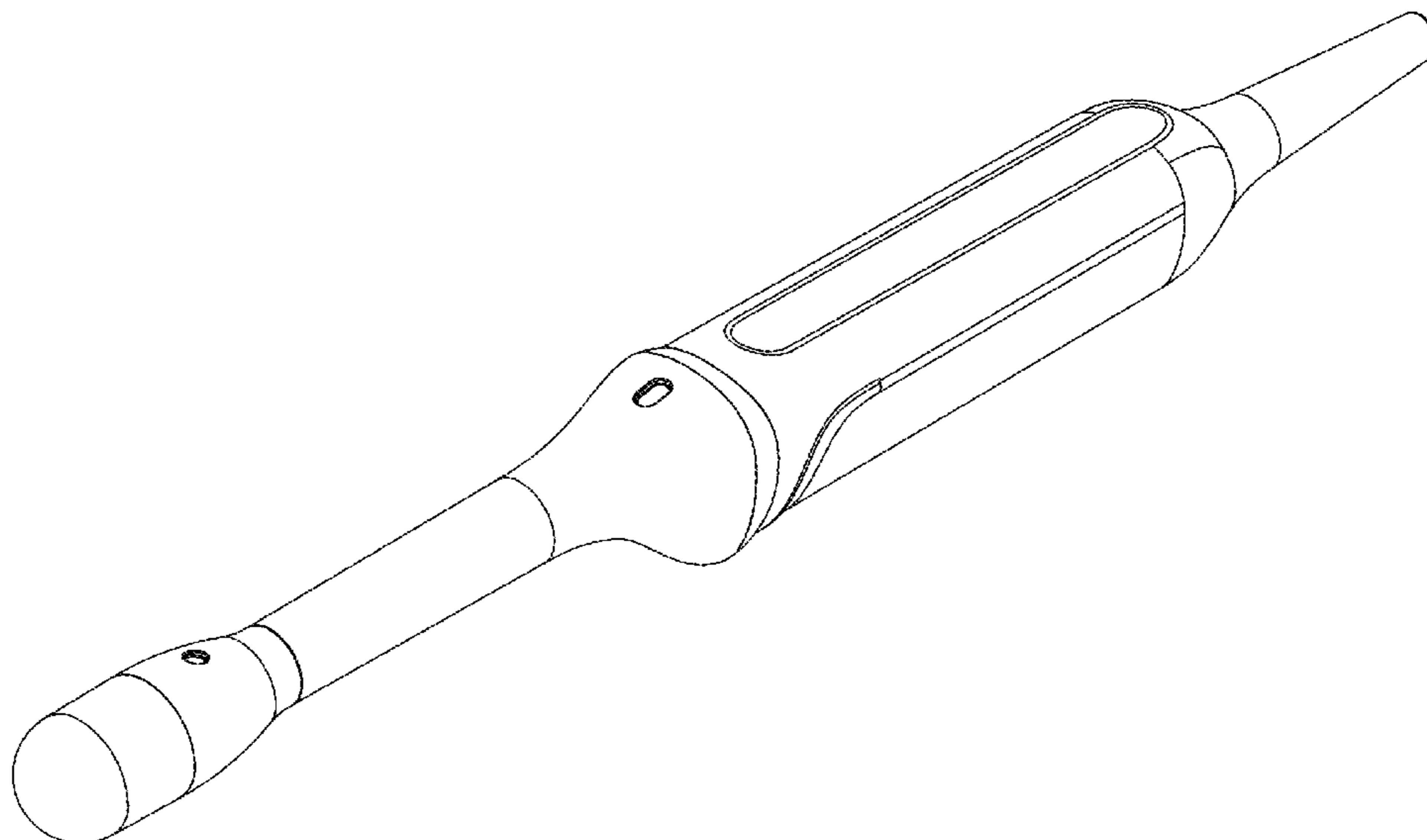
FIG. 1 is a top perspective view of an ultrasonic probe showing our new design;
FIG. 2 is a bottom perspective view of the ultrasonic probe design shown in FIG. 1;
FIG. 3 is a front view of the ultrasonic probe design shown in FIG. 1;
FIG. 4 is a rear view of the ultrasonic probe design shown in FIG. 1;
FIG. 5 is a right view of the ultrasonic probe design shown in FIG. 1;
FIG. 6 is a left view of the ultrasonic probe design shown in FIG. 1;
FIG. 7 is a top view of the ultrasonic probe design shown in FIG. 1; and,
FIG. 8 is a bottom view of the ultrasonic probe design shown in FIG. 1.

(56) **References Cited**

U.S. PATENT DOCUMENTS

4,930,515 A * 6/1990 Terwilliger A61B 8/12
600/446
D320,078 S * 9/1991 Terwilliger D24/138
D616,992 S * 6/2010 Kitayama D24/186
D697,627 S * 1/2014 Takano D24/187
D701,606 S 3/2014 Ohmukai

1 Claim, 8 Drawing Sheets



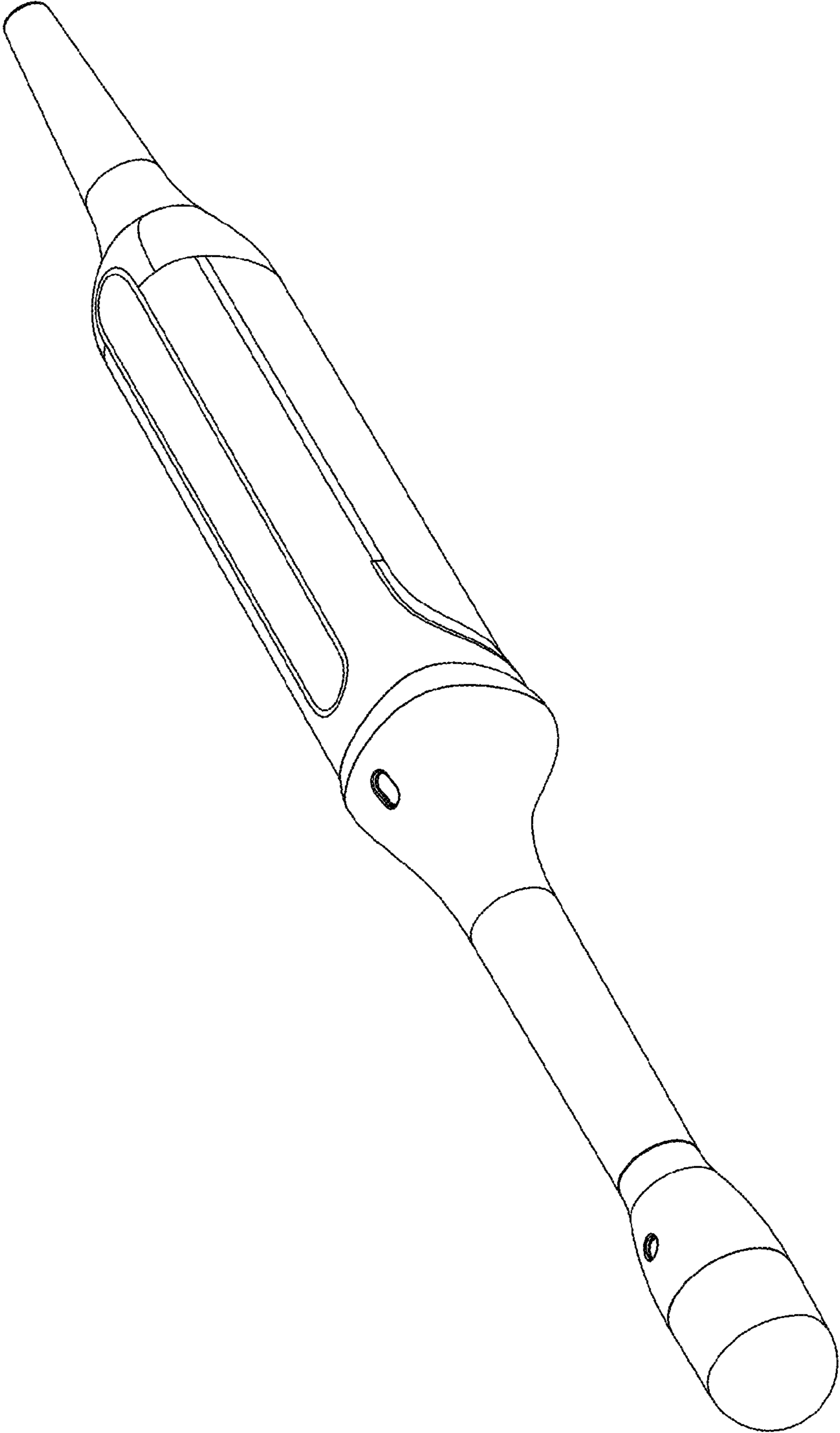


FIG. 1

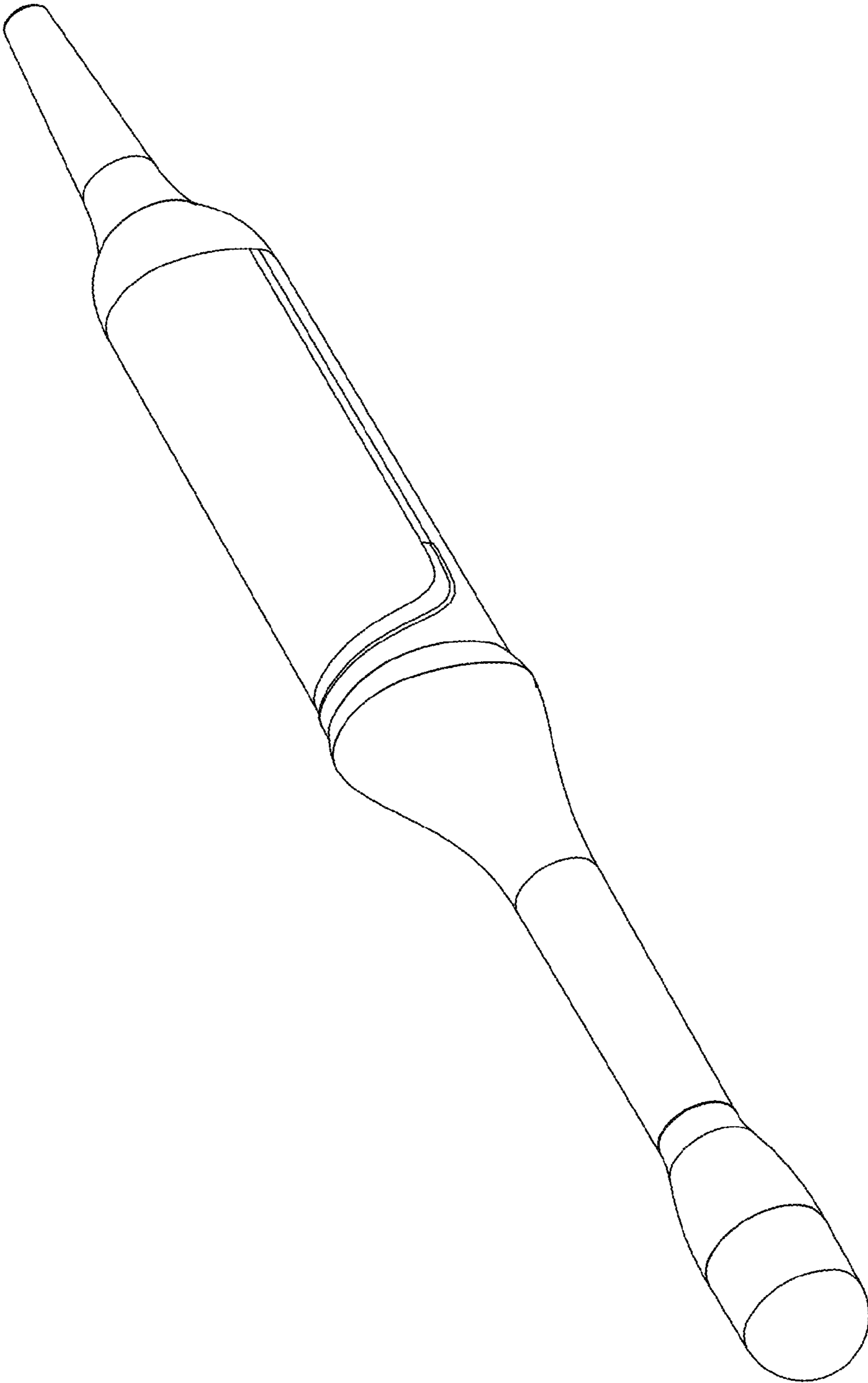


FIG. 2

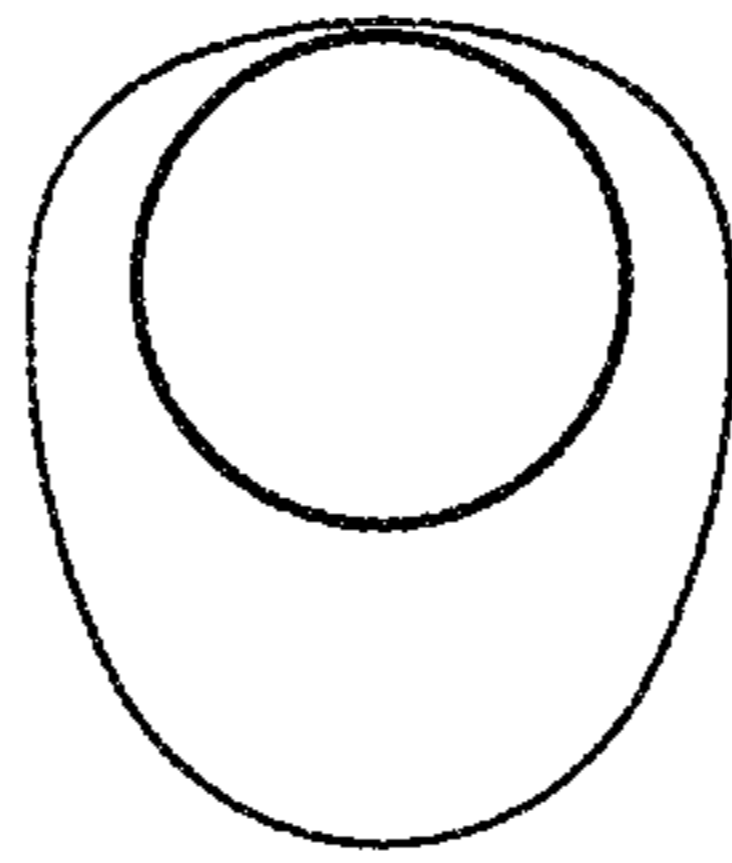


FIG. 3

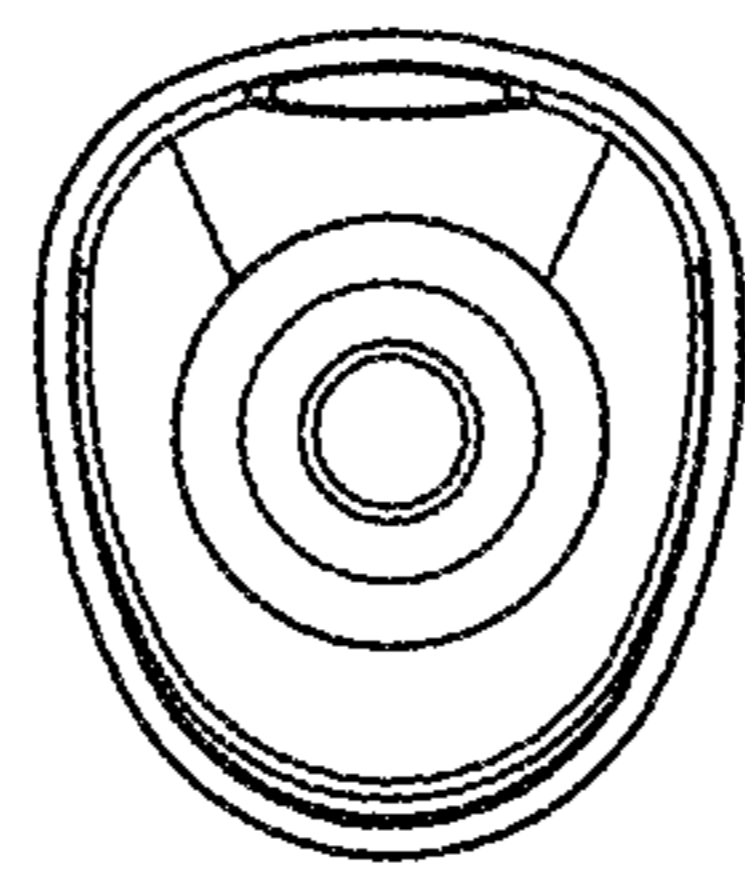


FIG. 4

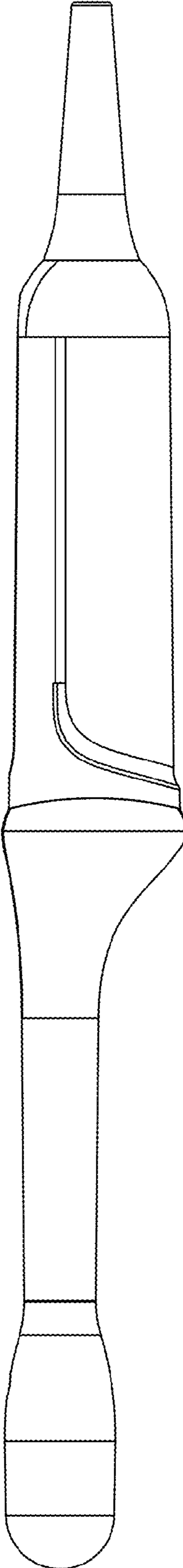


FIG. 5

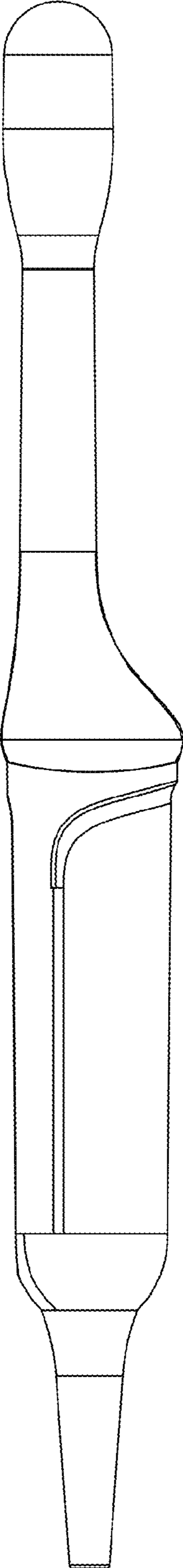


FIG. 6

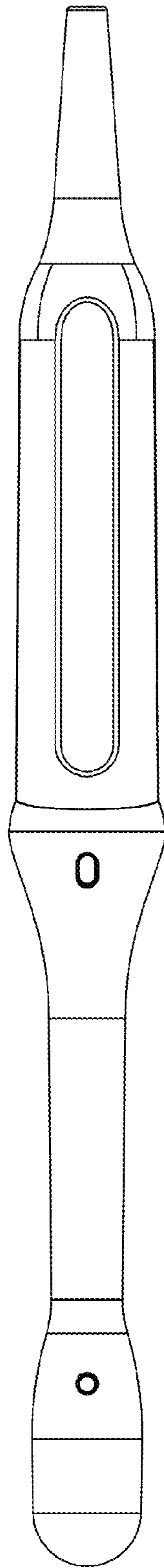


FIG. 7

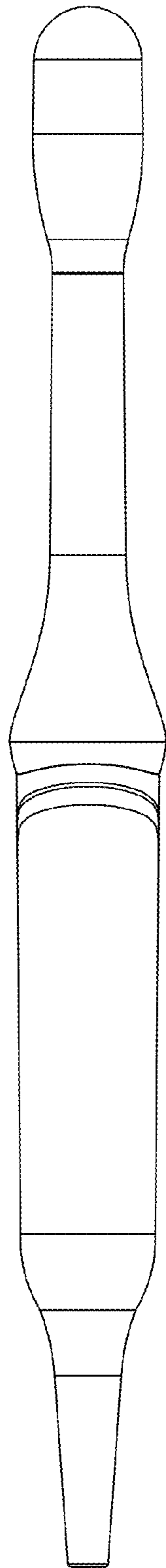


FIG. 8